



US00D380777S

United States Patent [19] Packard

[11] Patent Number: **Des. 380,777**
[45] Date of Patent: ****Jul. 8, 1997**

[54] PROTECTOR FOR A ROLL OF TAPE

[75] Inventor: **Joy A. Packard**, Somerset, Wis.

[73] Assignee: **Minnesota Mining and Manufacturing Company**, St. Paul, Minn.

[**] Term: **14 Years**

[21] Appl. No.: **48,518**

[22] Filed: **Jan. 2, 1996**

[51] LOC (6) Cl. **19-02**

[52] U.S. Cl. **D19/69; D19/67**

[58] Field of Search D19/65, 67, 68,
D19/69, 89, 99, 100; 225/5, 67, 19, 24,
25, 34, 45, 56, 65, 77, 89; 156/327, 527,
577, 391, 510; 242/588.6; 206/408, 405

[56] References Cited

U.S. PATENT DOCUMENTS

D. 125,085	2/1941	Jackson .	
D. 141,220	5/1945	Preble, Jr. .	
D. 164,733	10/1951	Pretzfelder, Jr. .	
D. 185,284	5/1959	Hofmann	D74/1
D. 186,343	10/1959	Gorshen	D19/69
D. 192,835	5/1962	Wax	D19/69
D. 338,493	8/1993	Mead	D19/69
2,275,212	3/1942	Valentine .	
2,295,477	9/1942	Jackson .	
2,295,679	9/1942	Montbach	242/55.5
2,790,609	4/1957	Hawthorne et al.	242/55.5
3,216,634	11/1965	Lausa	225/19
4,060,444	11/1977	Schweig, Jr. et al.	156/391
5,154,335	10/1992	Bredow et al.	225/40
5,294,068	3/1994	Baro et al.	206/405 X

OTHER PUBLICATIONS

"3M Surgical Tape Sampler, Standards that never vary", brochure, 3M Health Care, 1993.

"3M Micropore™ Surgical Tape, The dependable choice for a gentle, general dressing paper tape.", 2 page brochure, 3M Health Care, 1995.

Engineering Drawings for the Micropore™ Surgical Tape Dispenser illustrated on the back of the 2 page brochure, which dispenser was sold more than one year prior to the filing date of the present application (3 pages).

2 Photographs of a prior art edge protector for use with Smith & Nephew medical tape rolls, which edge protector does not afford rotation of the roll of tape relative to the edge protector. More than one year prior to the filing date of the instant application.

Primary Examiner—Martie Thompson

Attorney, Agent, or Firm—Gary L. Griswold; Walter N. Kirn; Jeffrey J. Hohenshell

[57] CLAIM

The ornamental design for a protector for a roll of tape, as shown and described.

DESCRIPTION

FIG. 1 is a perspective view of my new design;

FIG. 2 is a front view thereof;

FIG. 3 is a rear view;

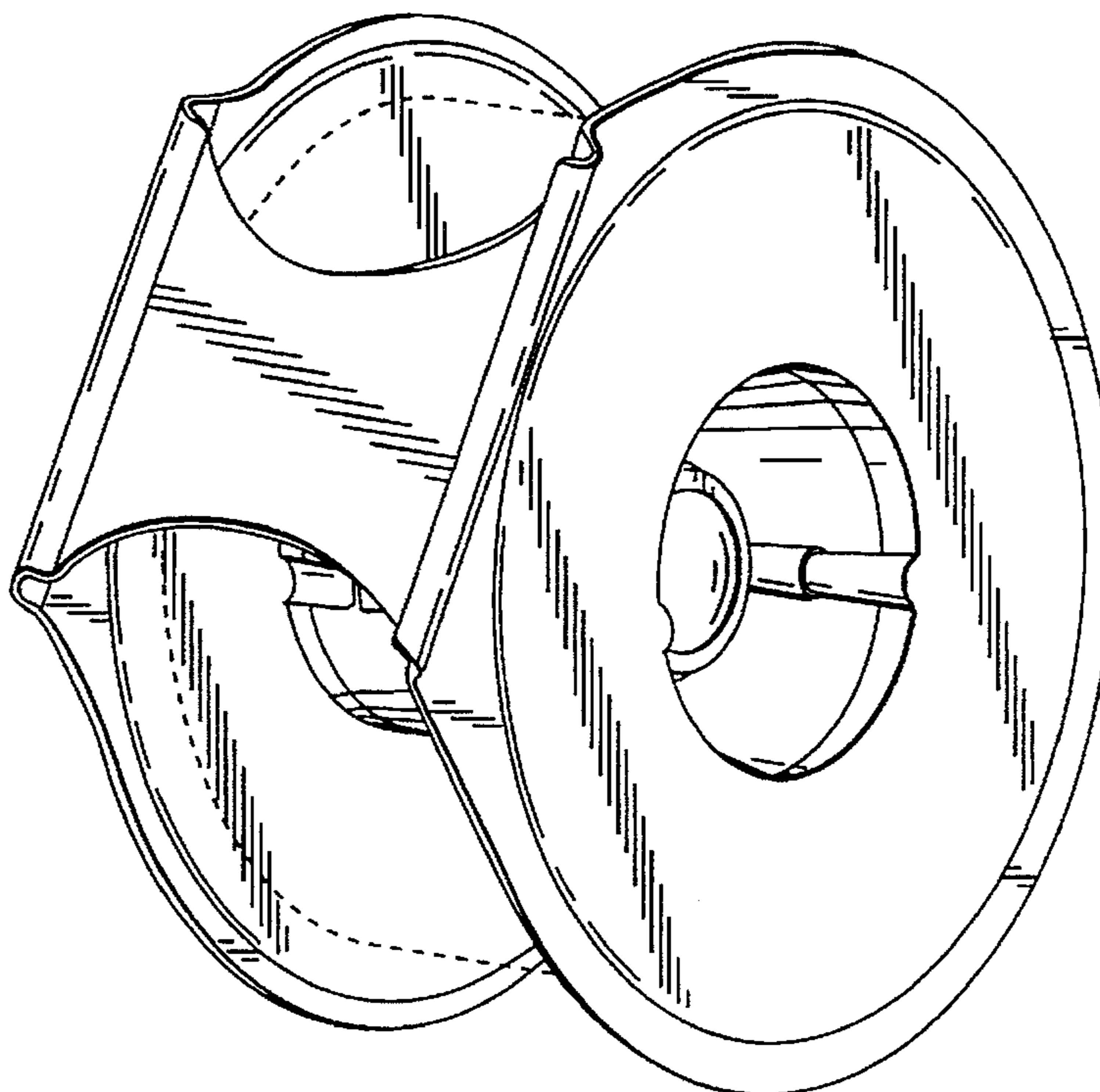
FIG. 4 is a right side view thereof;

FIG. 5 is a top view thereof, the bottom view being a mirror image thereof; and,

FIG. 6 is a left side view thereof.

Broken lines are included in the drawing to show a part of the roll of tape for illustrative purposes only. The broken lines form no part of the illustrated design.

1 Claim, 2 Drawing Sheets



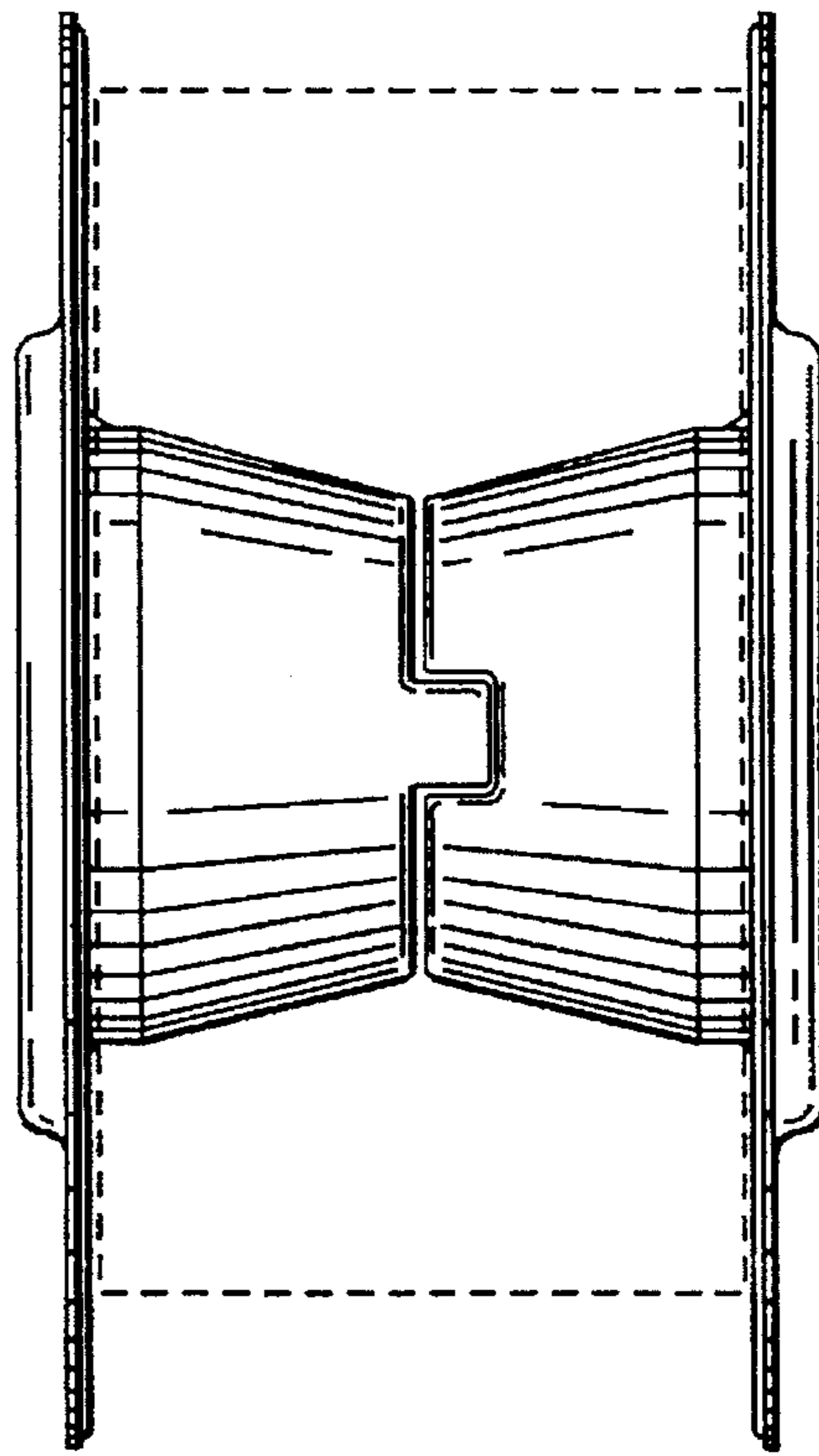
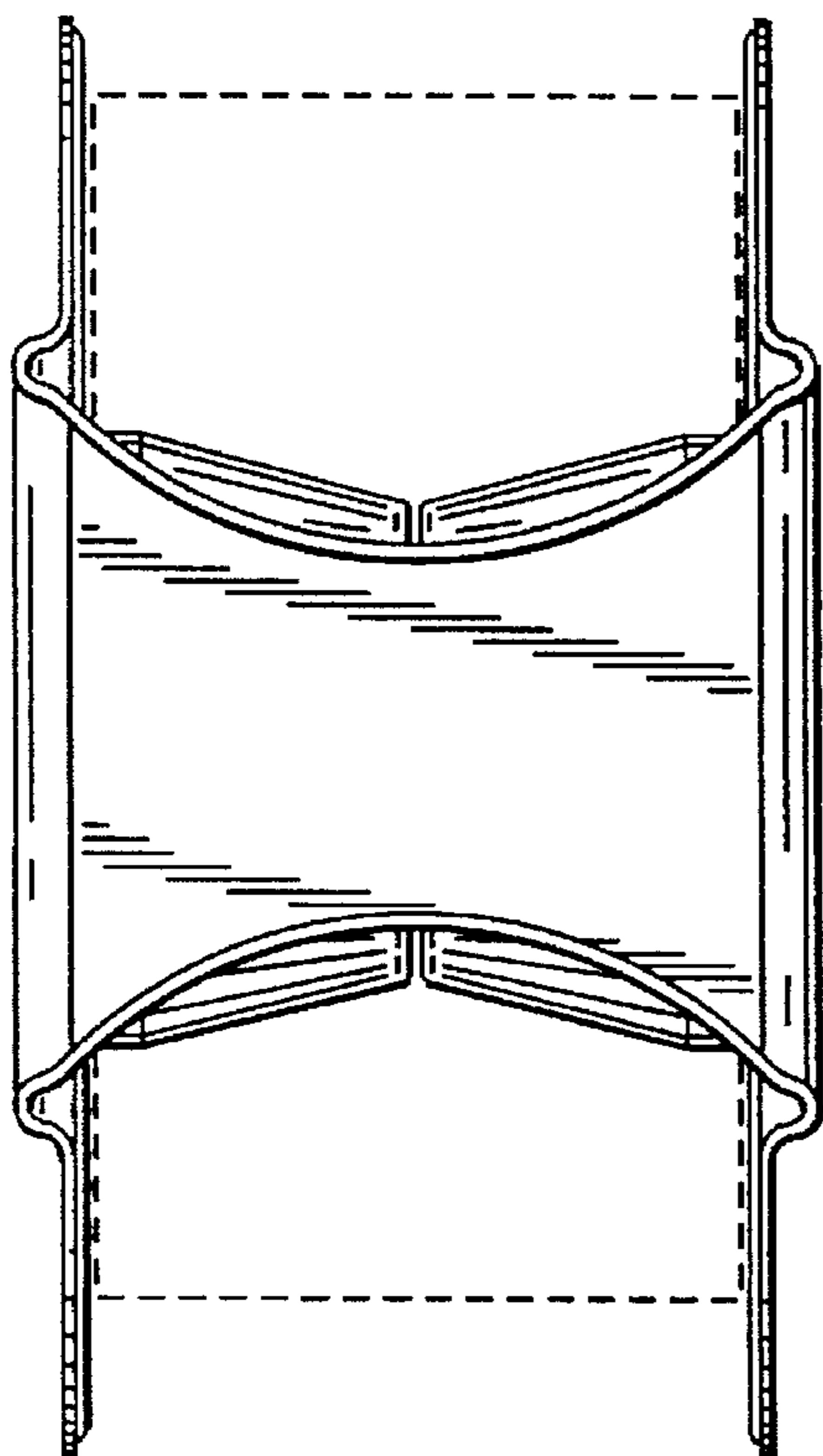
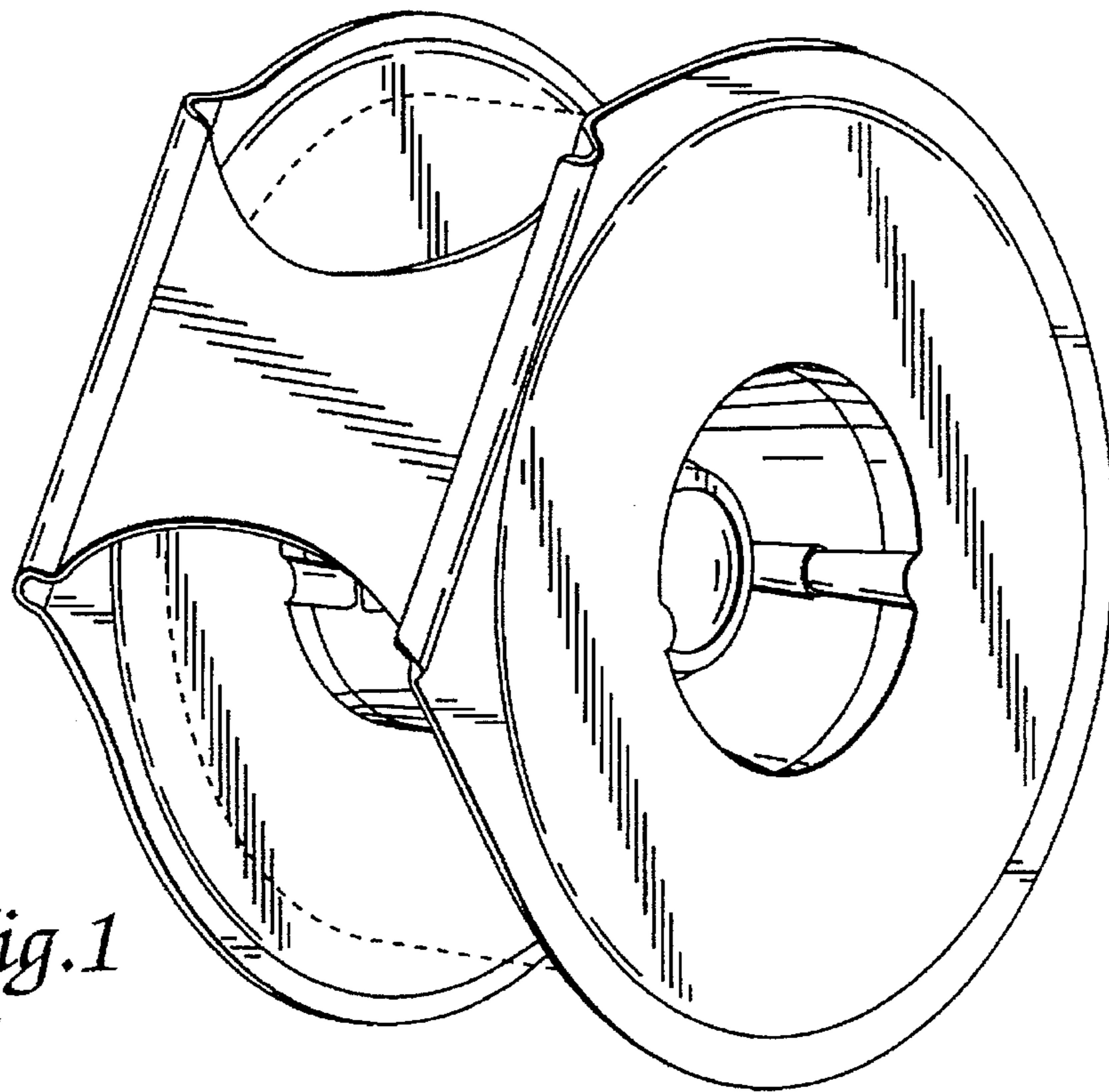


Fig. 6

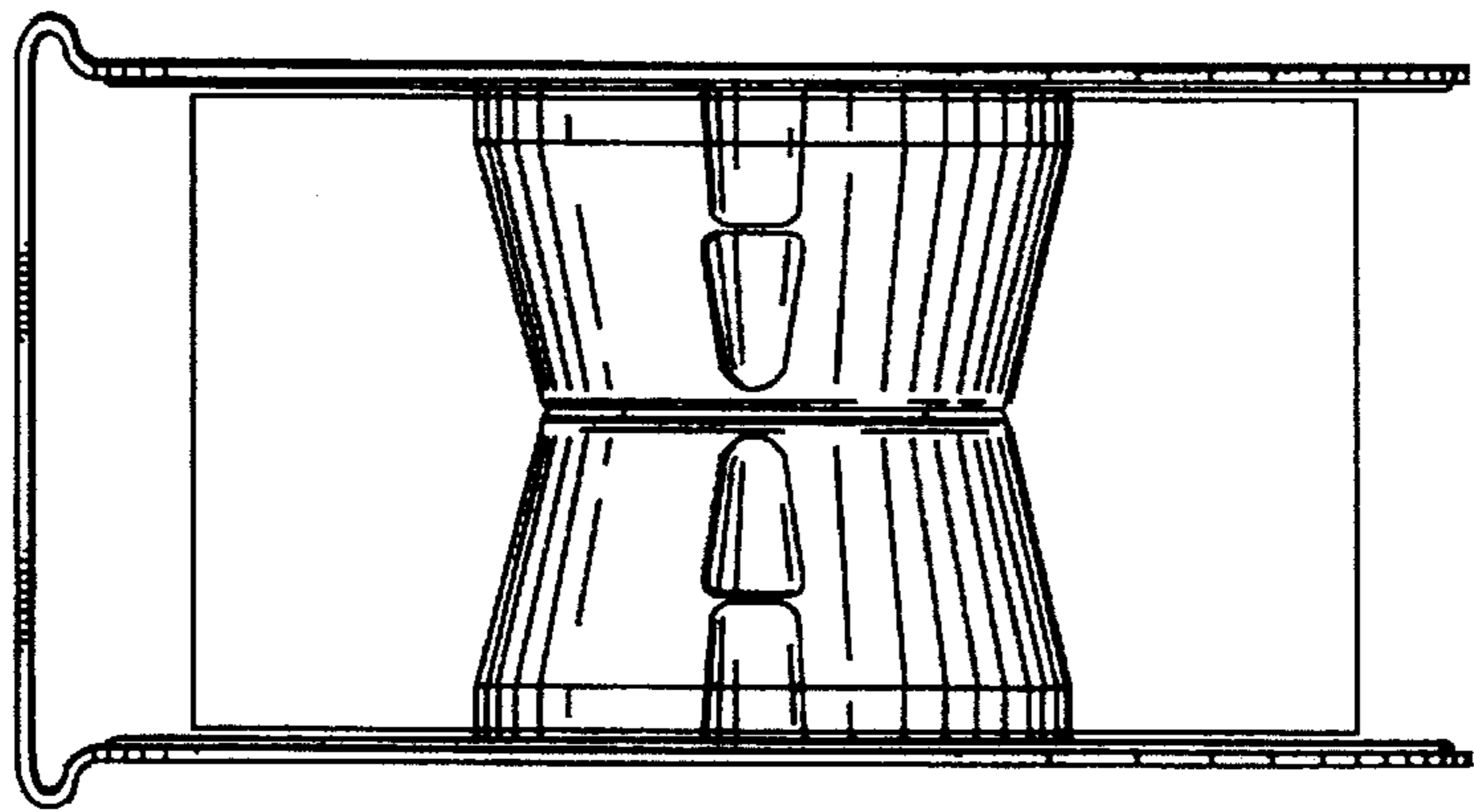
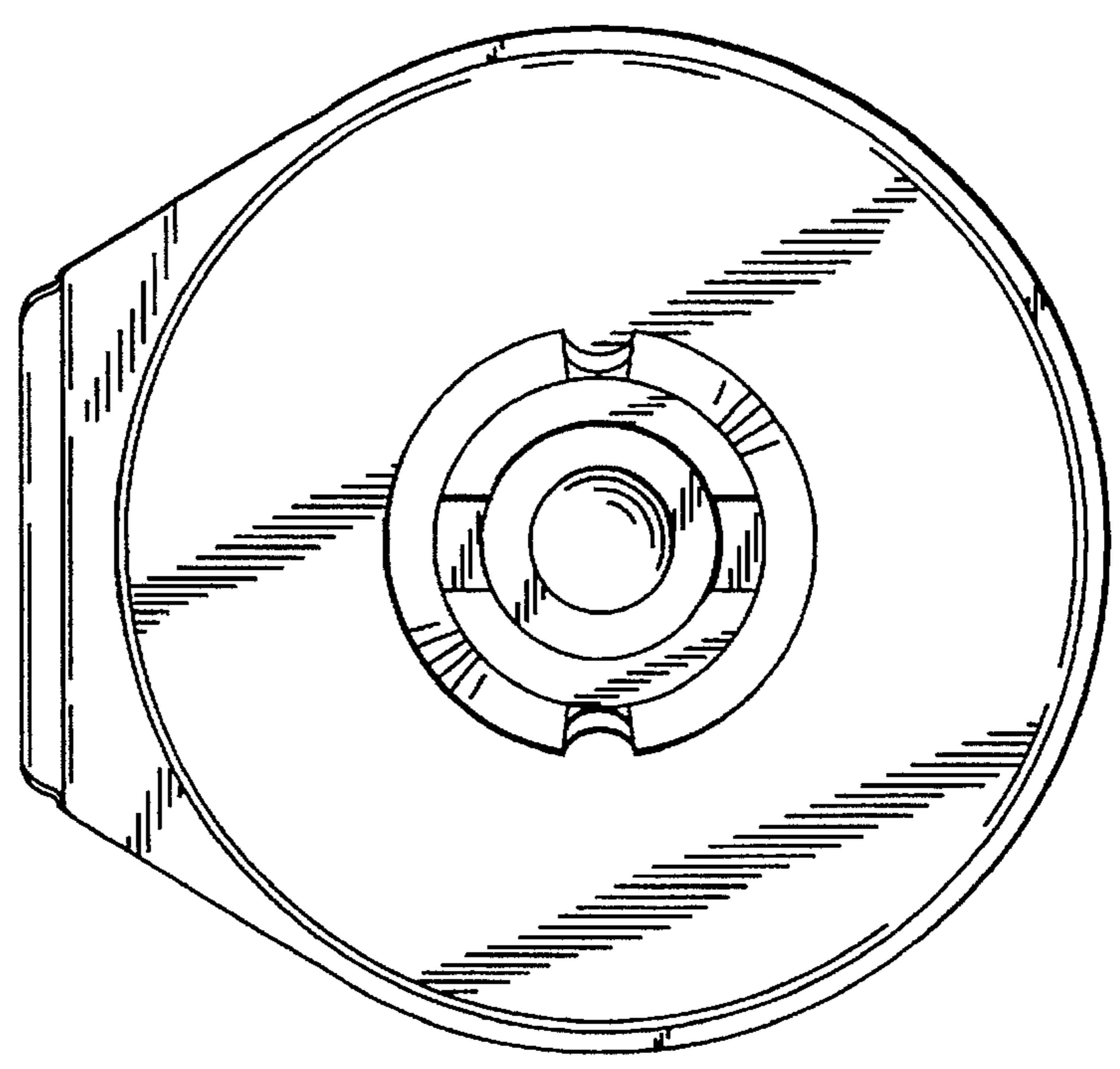


Fig. 5

Fig. 4

