

US00D380776S

United States Patent [19]
Boshart

[11] **Patent Number:** **Des. 380,776**
[45] **Date of Patent:** ****Jul. 8, 1997**

[54] **BOOKMARK**

[76] **Inventor:** **Ronald M. Boshart**, 308 Rimmington Drive, Oakville, Ontario, Canada, L6H 3N5

[**] **Term:** **14 Years**

[21] **Appl. No.:** **44,012**

[22] **Filed:** **Sep. 15, 1995**

[30] **Foreign Application Priority Data**

Mar. 15, 1995 [CA] Canada 1995-0577

[51] **LOC (6) Cl.** **19-99**

[52] **U.S. Cl.** **D19/34**

[58] **Field of Search** D19/34; 281/42, 281/51; 116/234-239; 40/658, 666

[56] **References Cited**

U.S. PATENT DOCUMENTS

339,248 4/1886 Williams 281/42
1,160,237 11/1915 Barnes 281/42

4,507,830 4/1985 Dahan 281/424
4,706,995 11/1987 Dopp 281/42
5,150,921 9/1992 Broyles 281/42
5,325,811 7/1994 Miroyan D19/34
5,427,414 6/1995 Fletcher et al. D19/34 X

Primary Examiner—Susan J. Lucas
Assistant Examiner—Pamela Burgess
Attorney, Agent, or Firm—Rogers & Scott

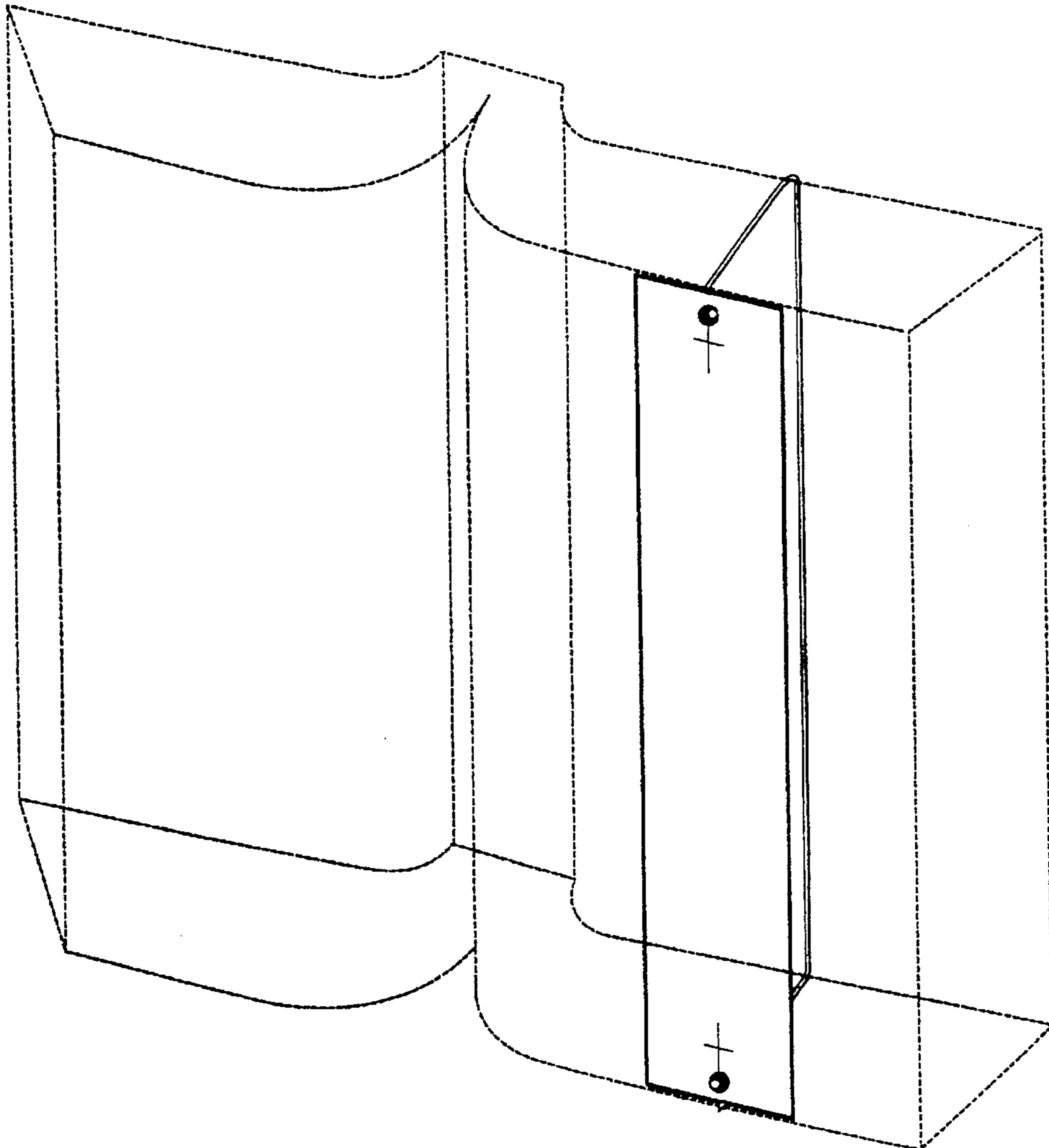
[57] **CLAIM**

The ornamental design for a bookmark, as shown, and described.

DESCRIPTION

FIG. 1 is a front perspective view of the bookmark; FIG. 2 is a rear perspective view; FIG. 3 is a front view; FIG. 4 is a side view; FIG. 5 is a rear view, and, FIG. 6 is a front view thereof, shown in use with a book, the broken lines are for illustrative purposes only and form no part of the claimed design.

1 Claim, 3 Drawing Sheets



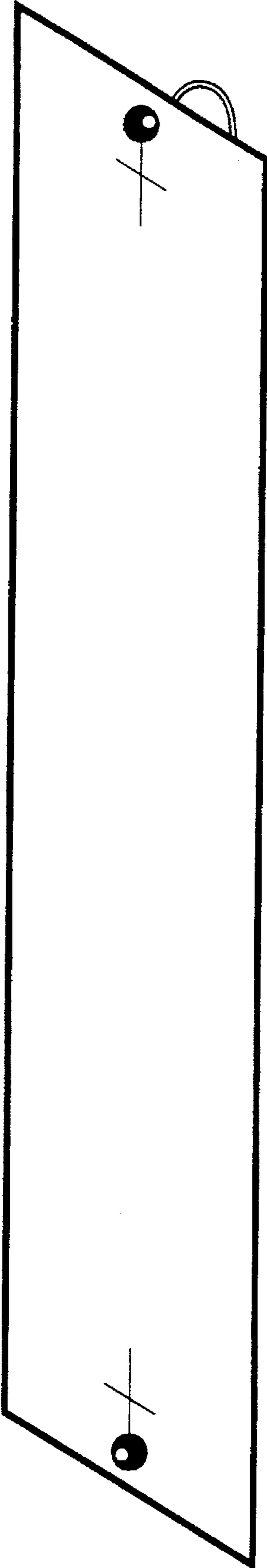


FIG. 1

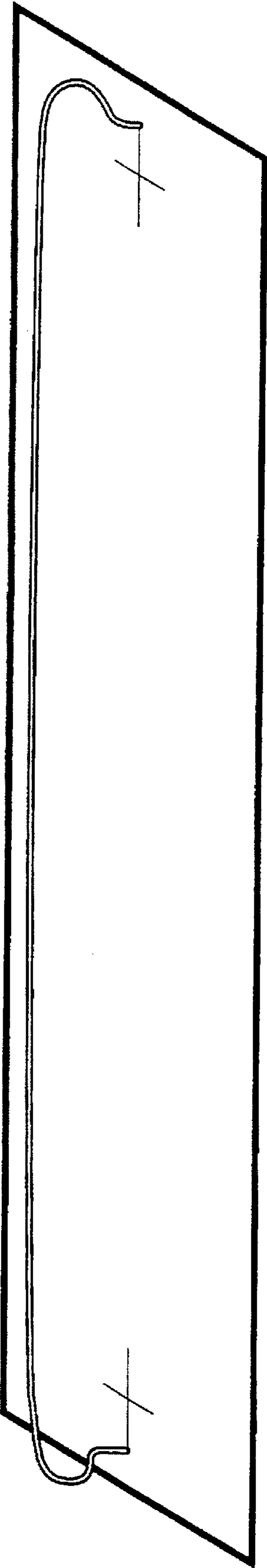


FIG. 2

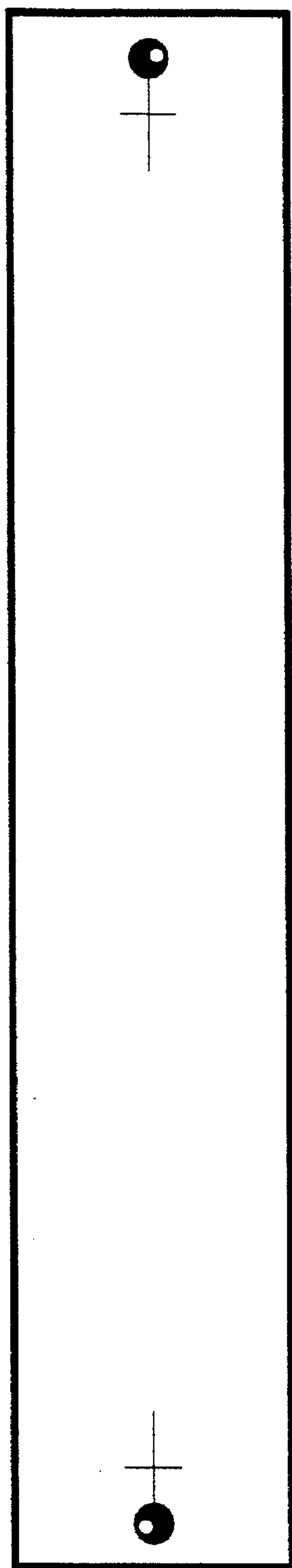


FIG. 3

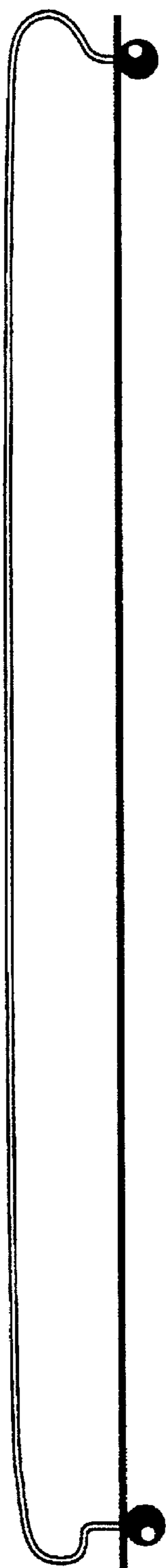


FIG. 4

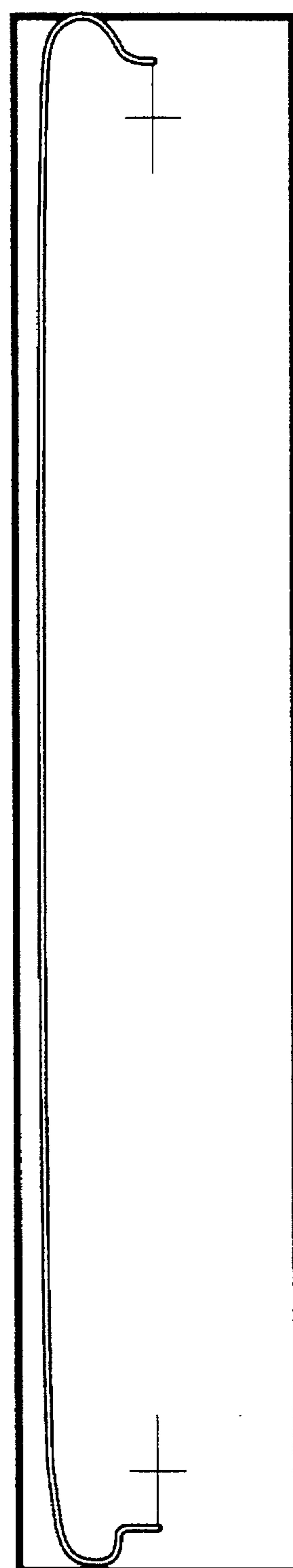


FIG. 5

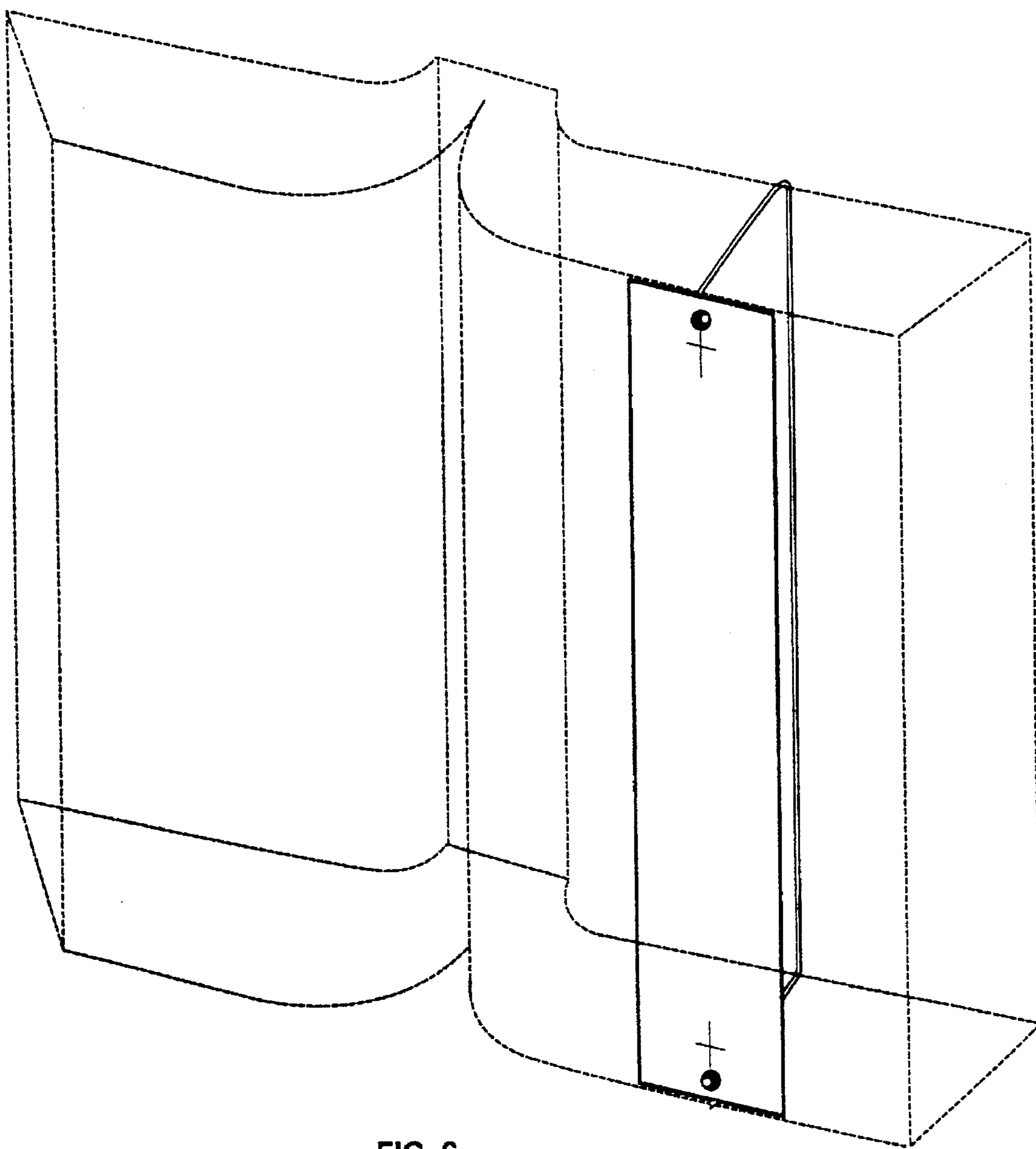


FIG. 6