



US00D380770S

# United States Patent [19]

[11] Patent Number: **Des. 380,770**

Muchenberger et al.

[45] Date of Patent: **\*\*Jul. 8, 1997**

## [54] POSTAGE METER

[75] Inventors: **Ernest Muchenberger**, Zug; **Christian Gillieron**, Fraubrunnen; **Kurt Nast**, Bern, all of Switzerland

[73] Assignee: **Ascom Hasler Mailing Systems, AG**, Bern, Switzerland

[\*\*] Term: **14 Years**

[21] Appl. No.: **43,520**

[22] Filed: **Sep. 6, 1995**

### Related U.S. Application Data

[63] Continuation of Ser. No. 29,062, Sep. 28, 1994, abandoned.

[51] LOC (6) Cl. .... **18-02**

[52] U.S. Cl. .... **D18/51; D15/145**

[58] Field of Search ..... **D18/51; D15/145; 101/91; 156/441.9; 209/584, 900; 364/464.02, 468, 469, 571.01, 557, 140, 148**

### [56] References Cited

#### U.S. PATENT DOCUMENTS

D. 224,666	8/1972	Schneck	.....	D18/51
D. 330,386	10/1992	Doeberl et al.	.....	D18/51
D. 354,447	1/1995	Weirsman	.....	D10/91
D. 358,415	5/1995	Klein	.....	D18/51
3,577,300	5/1971	Glaze, Jr. et al.	.....	156/441.5
4,739,343	4/1988	Dolan	.....	D18/51 X

#### OTHER PUBLICATIONS

Brochure for Ascom Hasler Model F101 (1994).

Brochure for Ascom Hasler Model F101 (1993).

Brochure for Alcatel LetterMate (1991).

What to Buy for Business: *The Postage Meter Systems Guide*, pp. 9, 10, 13, 24, and 30 (1994).

Brochure pages for Pitney Bowes 6900 and 6500 Postage Meters.

Magazine Pages showing Friden 9212, Friden 9148, Friden 9165, and Postalia MS-5 Postage Meters.

Brochure for Ascom Halser Model 120I (1993).

Brochure for Ascom Hasler 200 Series (1994).

Brochure for Ascom Hasler 300 Series (1994).

*Primary Examiner*—Antoine Duval Davis

*Attorney, Agent, or Firm*—Oppedahl & Larson

### [57] CLAIM

The ornamental design for a postage meter, as shown and described.

### DESCRIPTION

FIG. 1 is a perspective view from the right front of the postage meter showing our new design;

FIG. 2 is a perspective view from the left front thereof;

FIG. 3 is a perspective view from the left rear thereof;

FIG. 4 is a perspective view from the right rear thereof;

FIG. 5 is a side elevation of the right side thereof;

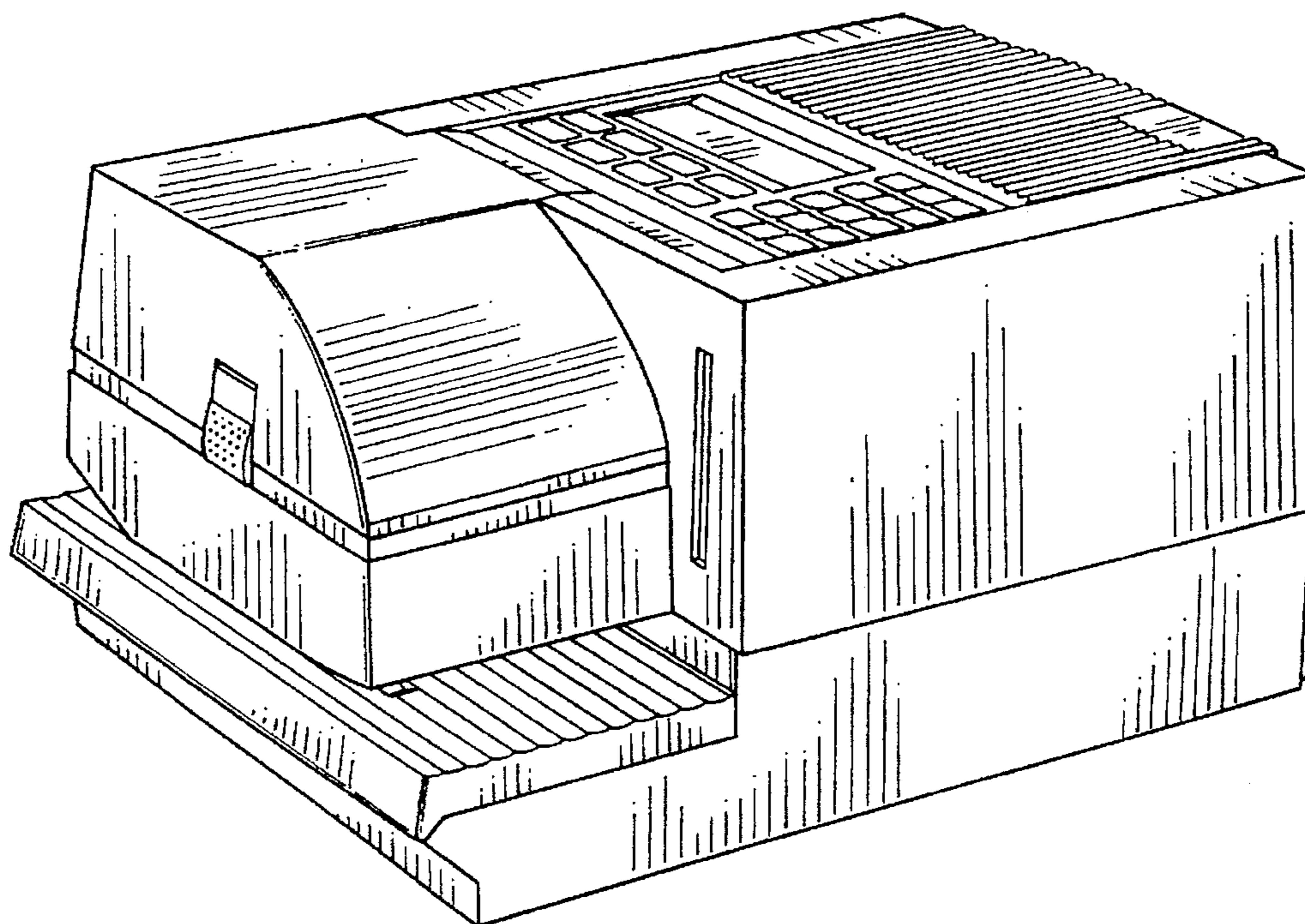
FIG. 6 is a front elevation thereof;

FIG. 7 is a top elevation thereof; and,

FIG. 8 is a rear elevation thereof.

The bottom surface of the postage meter is without ornamentation.

**1 Claim, 4 Drawing Sheets**



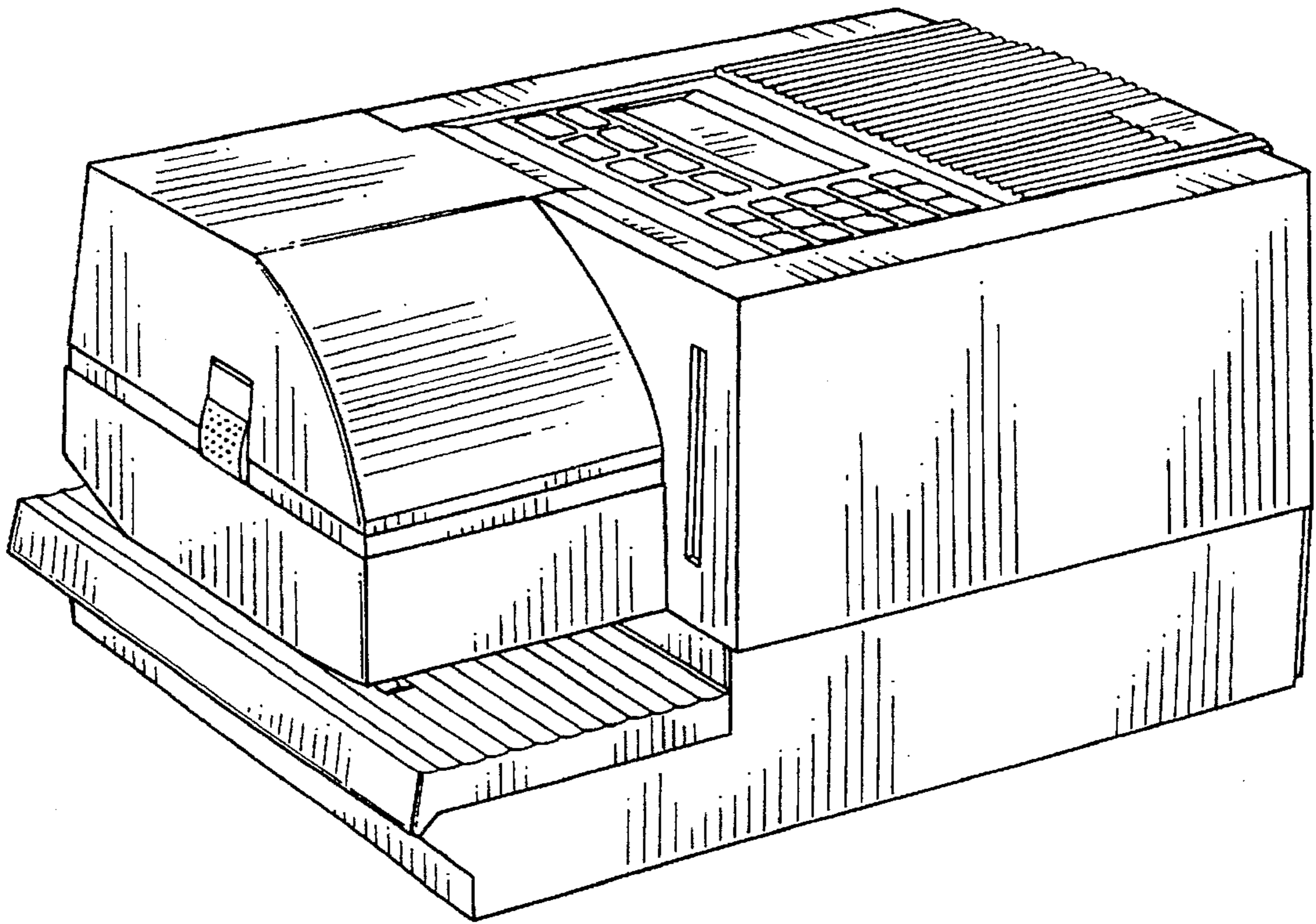


FIG. 1

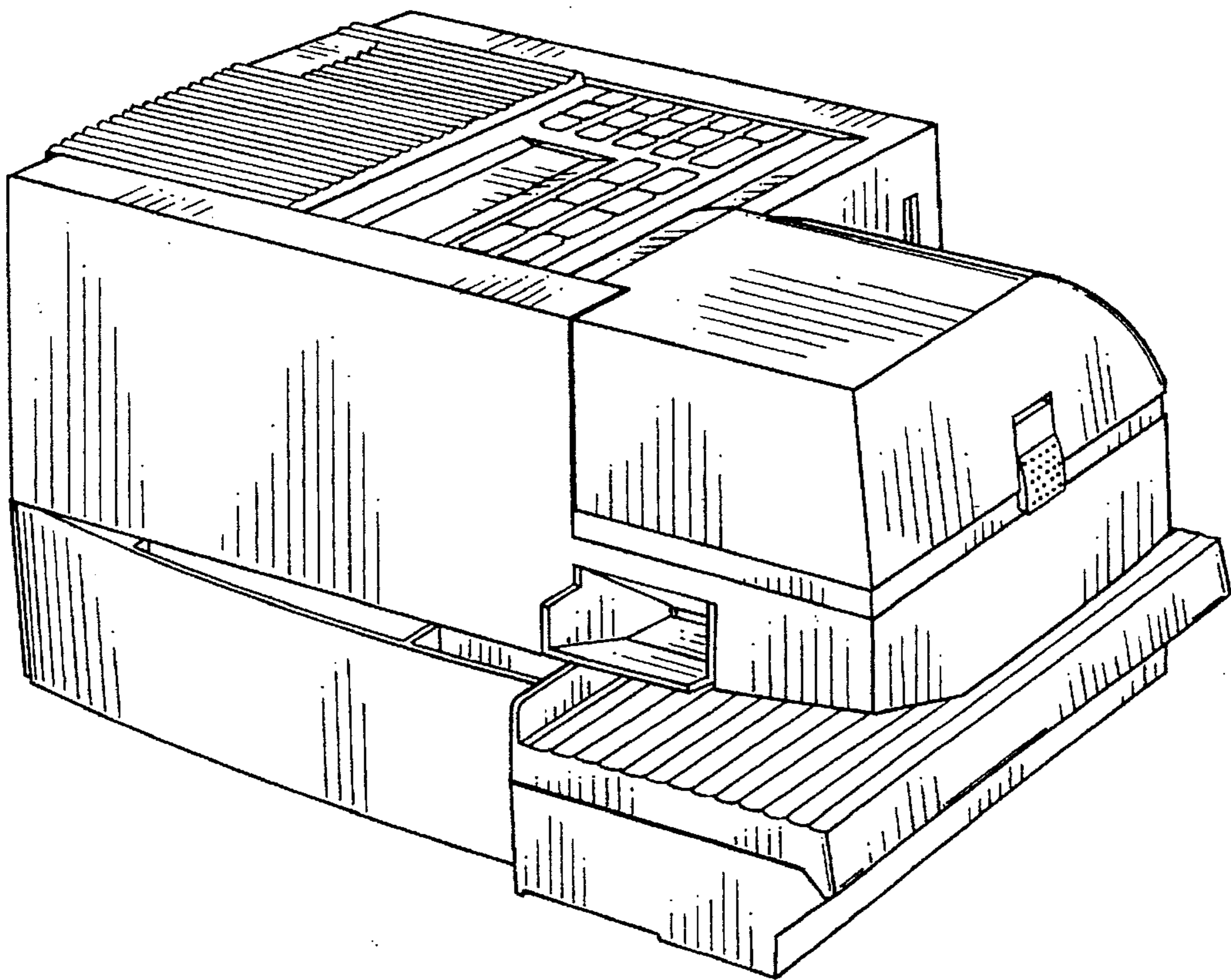


FIG. 2



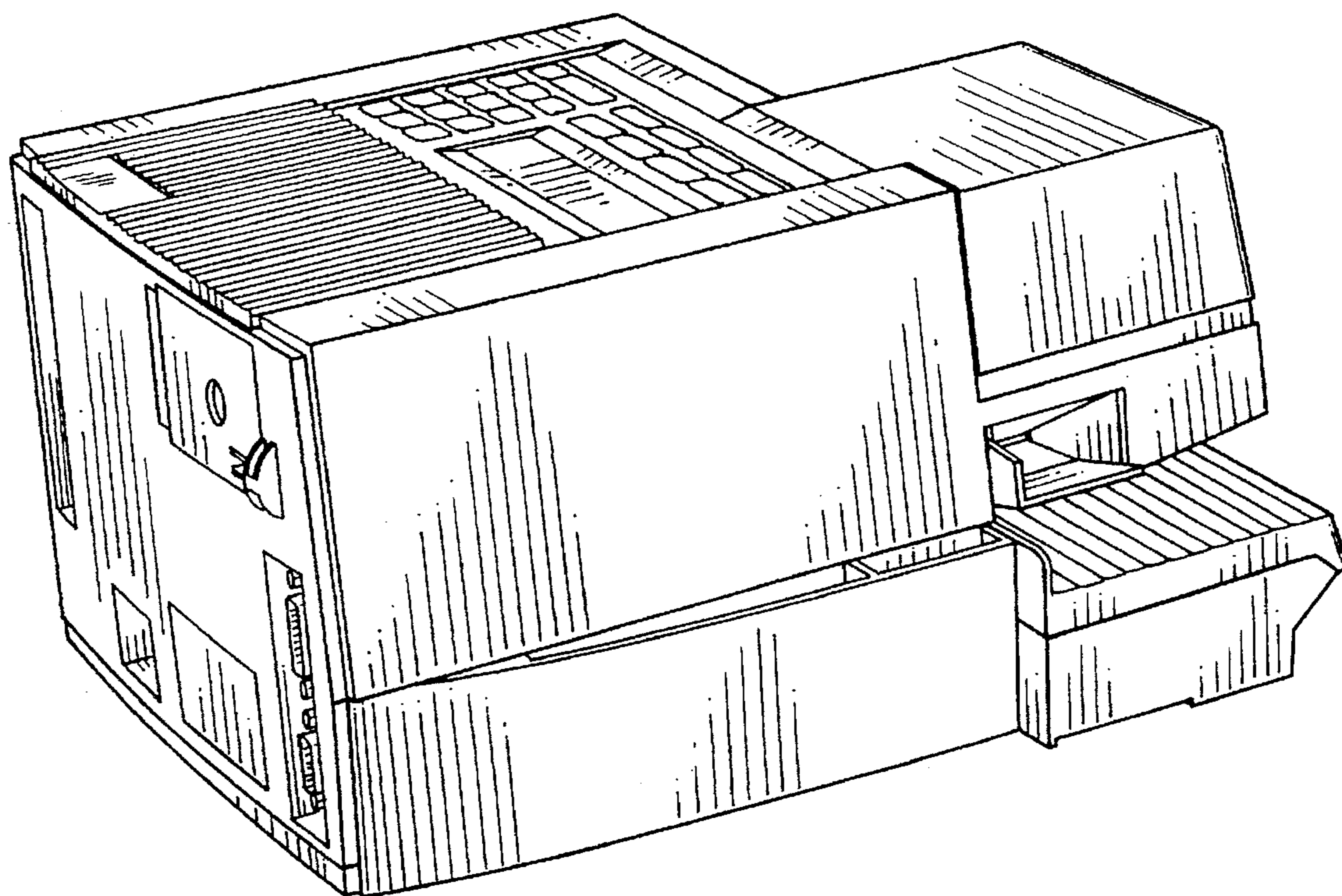


FIG. 3

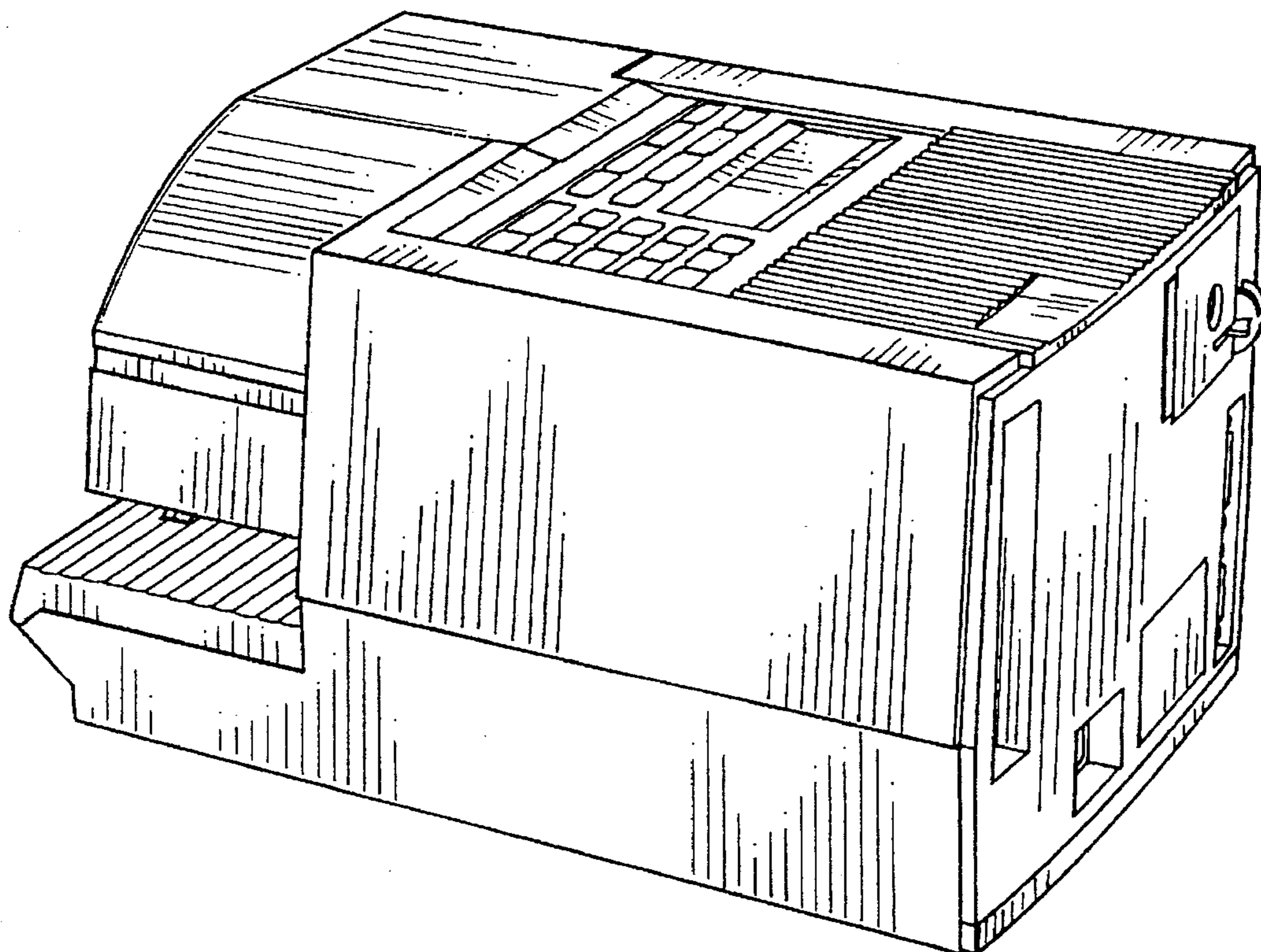


FIG. 4

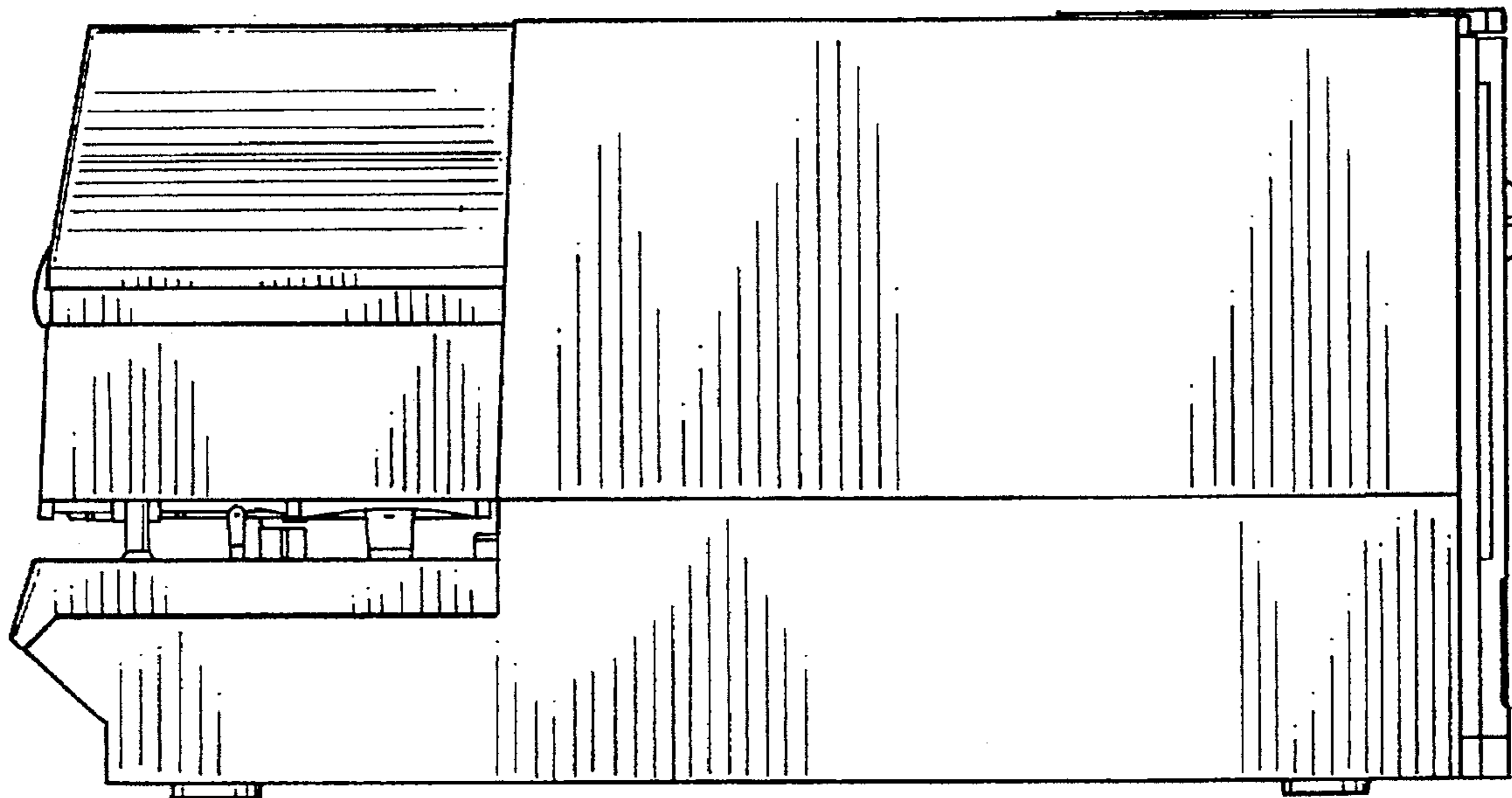


FIG. 5

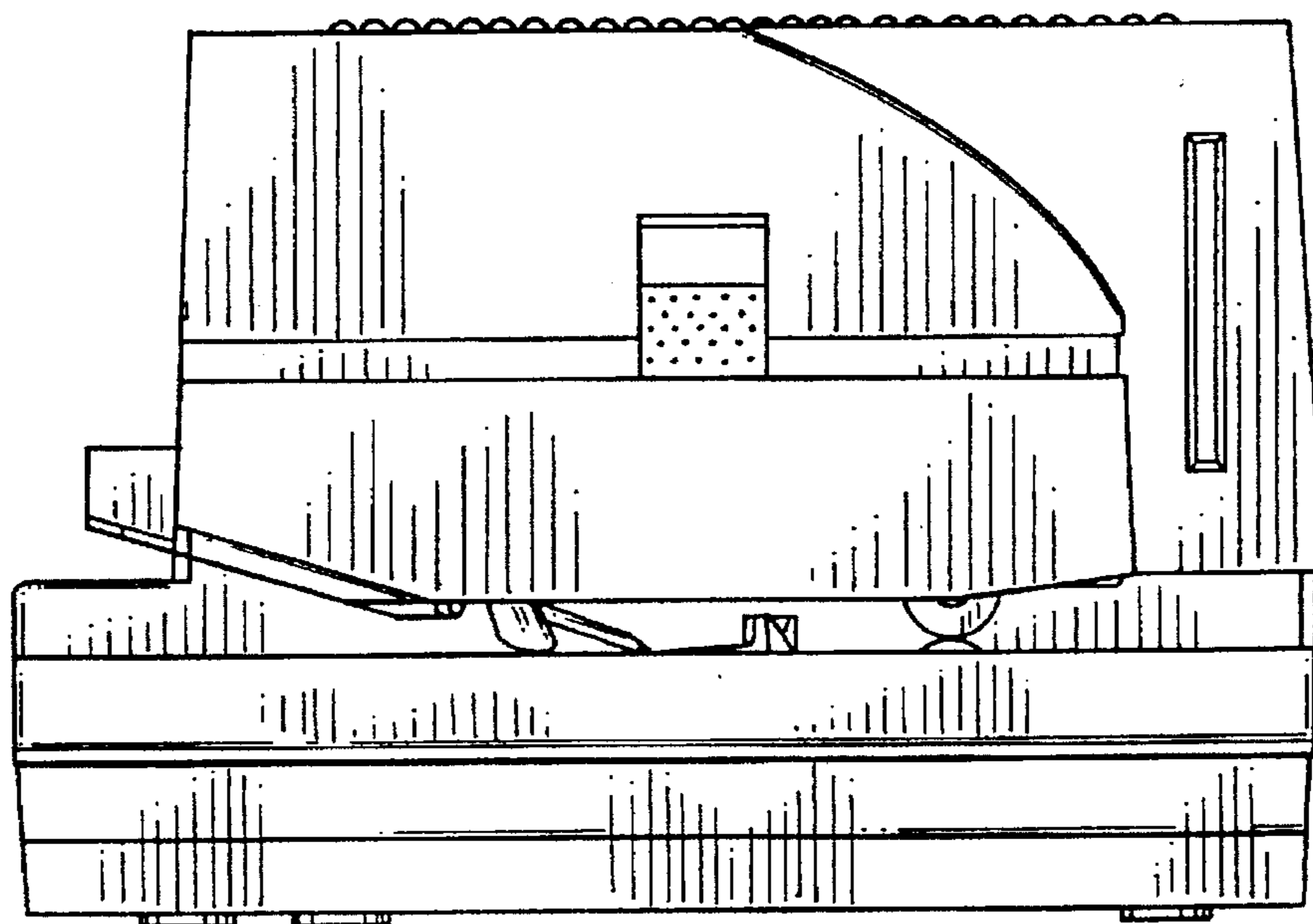


FIG. 6

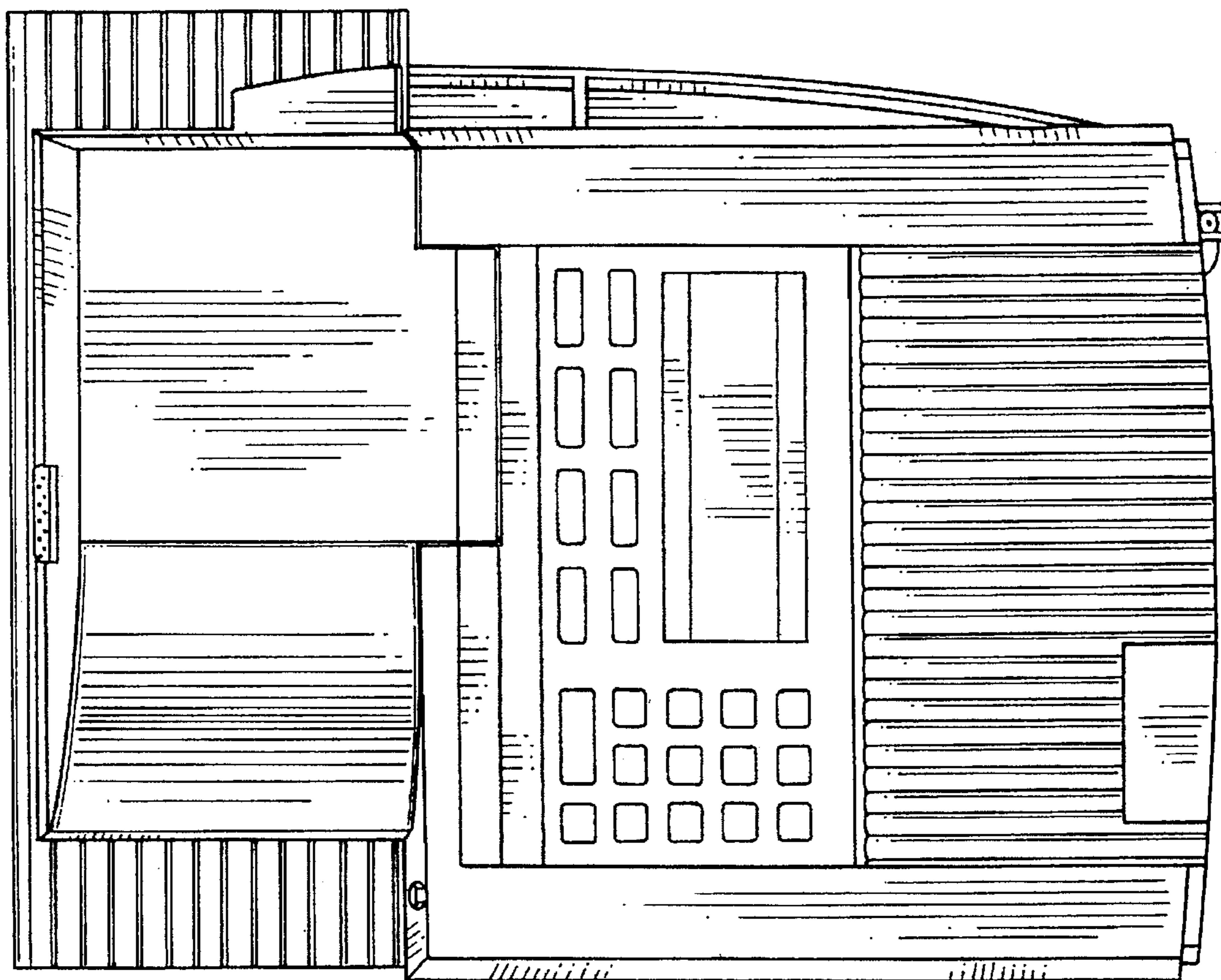


FIG. 7

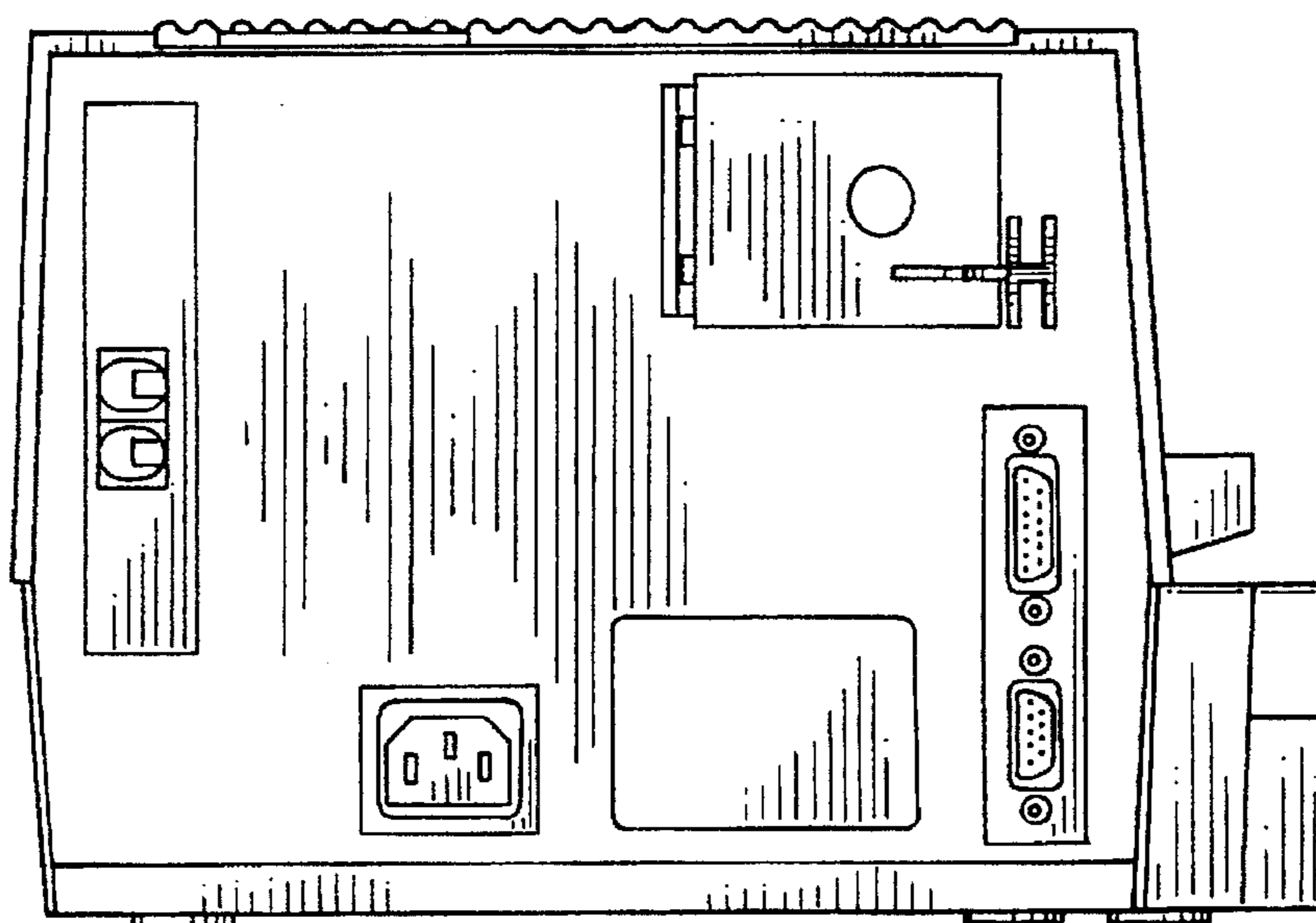


FIG. 8