



US00D380765S

United States Patent [19]

Kernan

[11] Patent Number: **Des. 380,765**

[45] Date of Patent: ****Jul. 8, 1997**

[54] **MULTIPLE SLIDE HOLDER FOR USE IN A PHOTOGRAPHIC SCANNER**

2,858,629 11/1958 Carter D6/302
4,691,826 9/1987 Ozeki 40/158.1

[75] Inventor: **Colin M. Kernan**, Hingham, Mass.

Primary Examiner—Terry A. Wallace
Assistant Examiner—Adir Aronovich
Attorney, Agent, or Firm—Edward S. Roman; Christopher P. Ricci

[73] Assignee: **Polaroid Corporation**, Cambridge, Mass.

[**] Term: **14 Years**

[57] CLAIM

[21] Appl. No.: **52,828**

The ornamental design for a multiple slide holder for use in a photographic scanner, as shown and described.

[22] Filed: **Apr. 8, 1996**

DESCRIPTION

[51] LOC (6) Cl. **16-02**

[52] U.S. Cl. **D16/236; D16/246**

[58] Field of Search D6/300-302, 308, D6/310-312; D16/235, 236, 237; 40/700, 701, 704, 768, 771, 774; 354/275, 276, 282

FIG. 1 is a top perspective view of a multiple slide holder for use in a photographic scanner, showing my new ornamental design;

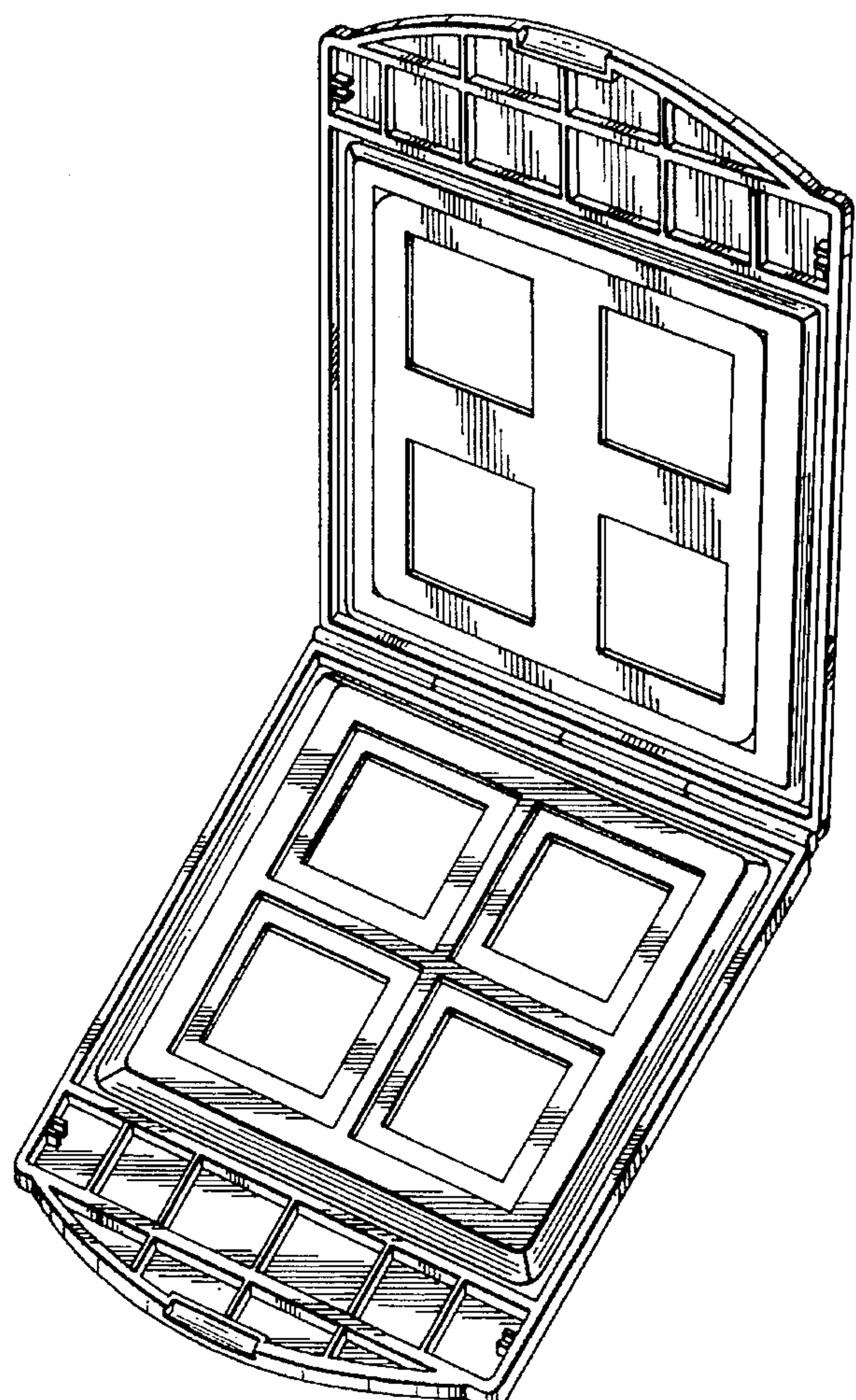
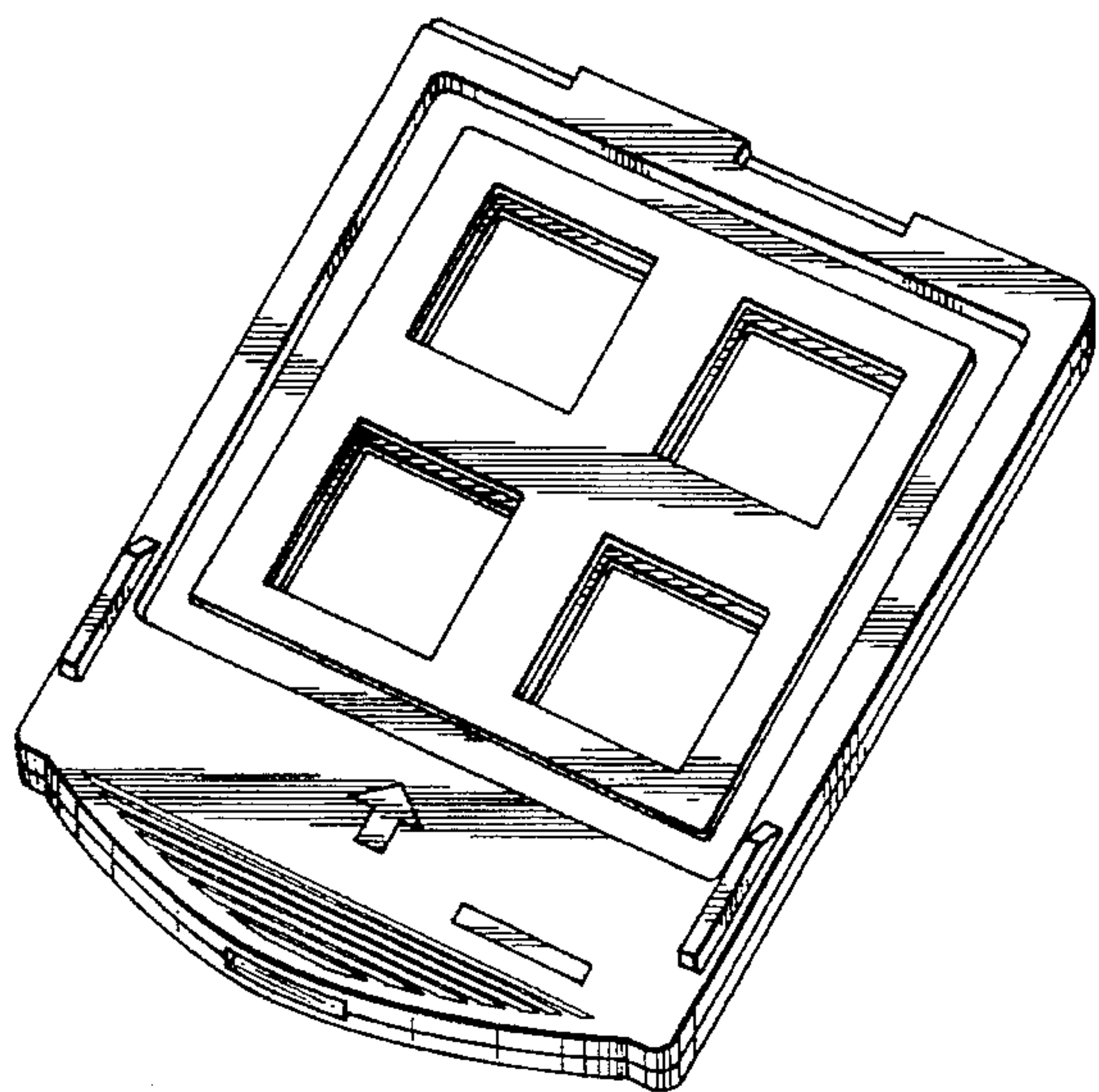
FIG. 2 is an enlarged top elevational view thereof;
FIG. 3 is an enlarged bottom elevational view thereof;
FIG. 4 is an enlarged right side elevational view, the undisclosed left side view being a mirror image thereof;
FIG. 5 is an enlarged front elevational view thereof;
FIG. 6 is an enlarged rear elevational view thereof; and,
FIG. 7 is a perspective view of the open slide holder.

[56] References Cited

U.S. PATENT DOCUMENTS

- D. 302,434 7/1989 Cawthome D16/236
- D. 312,830 12/1990 Coutta D16/237
- D. 370,353 6/1996 Valls et al. D6/300

1 Claim, 6 Drawing Sheets



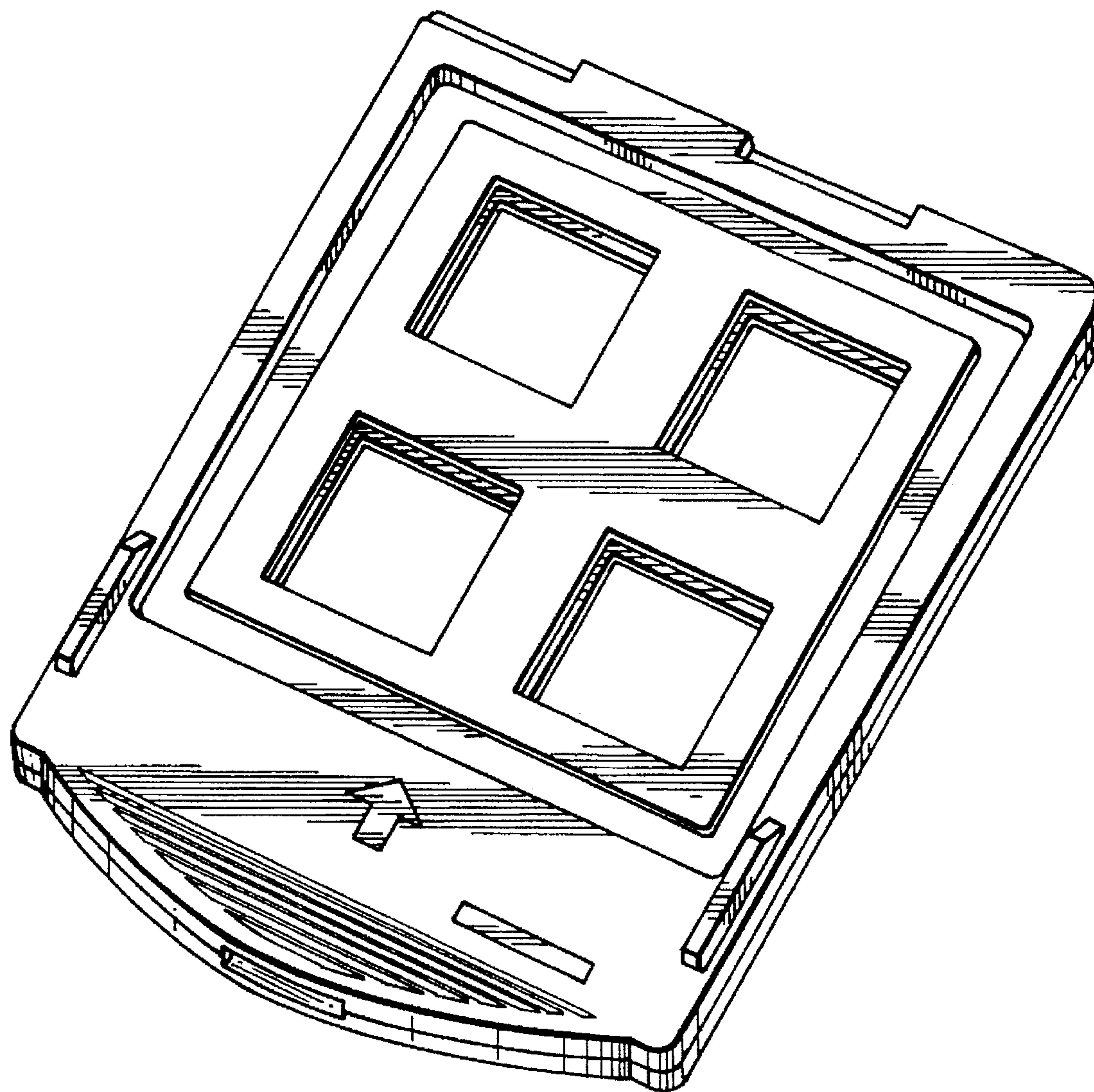


FIG. 1

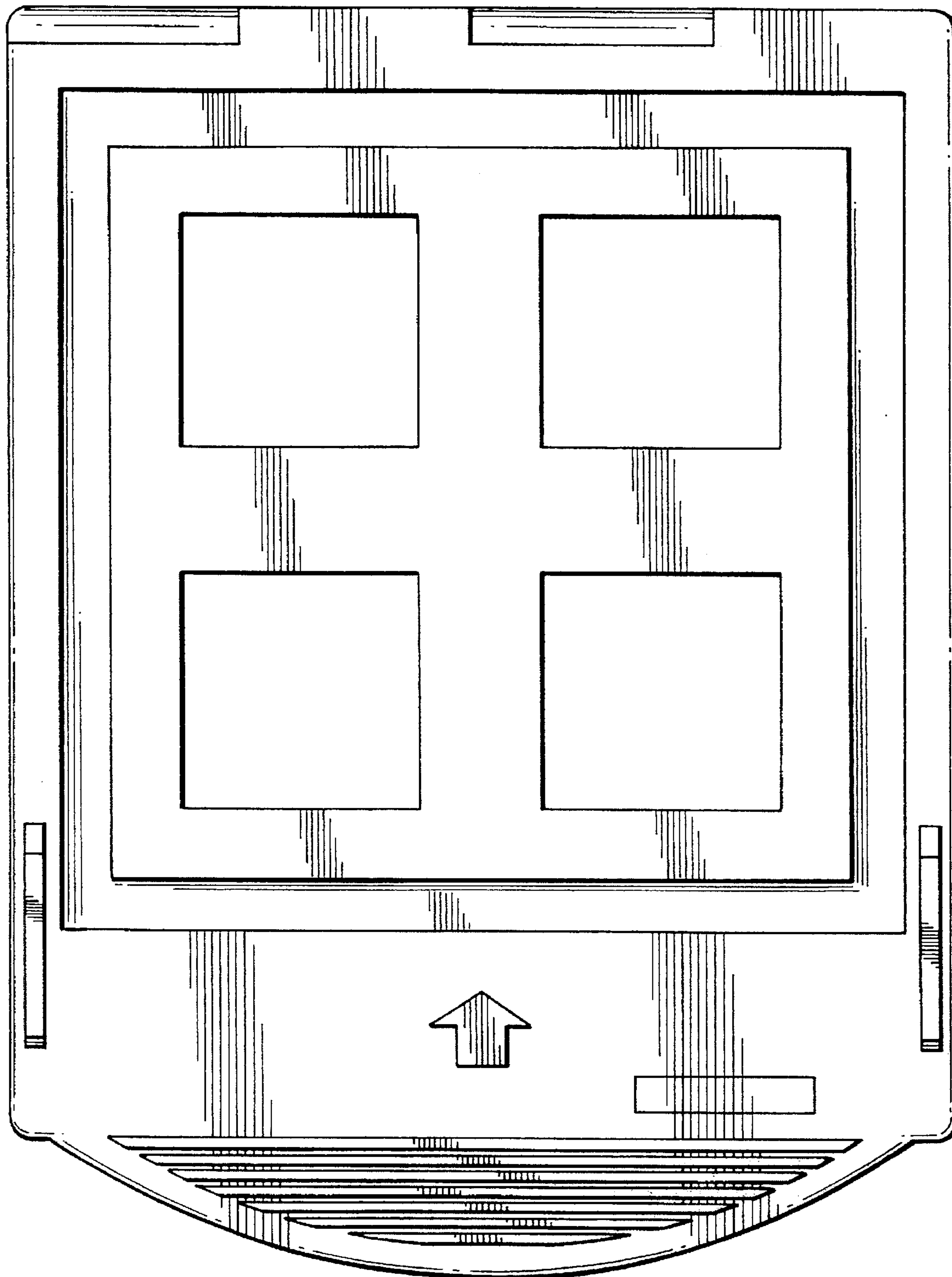


FIG. 2

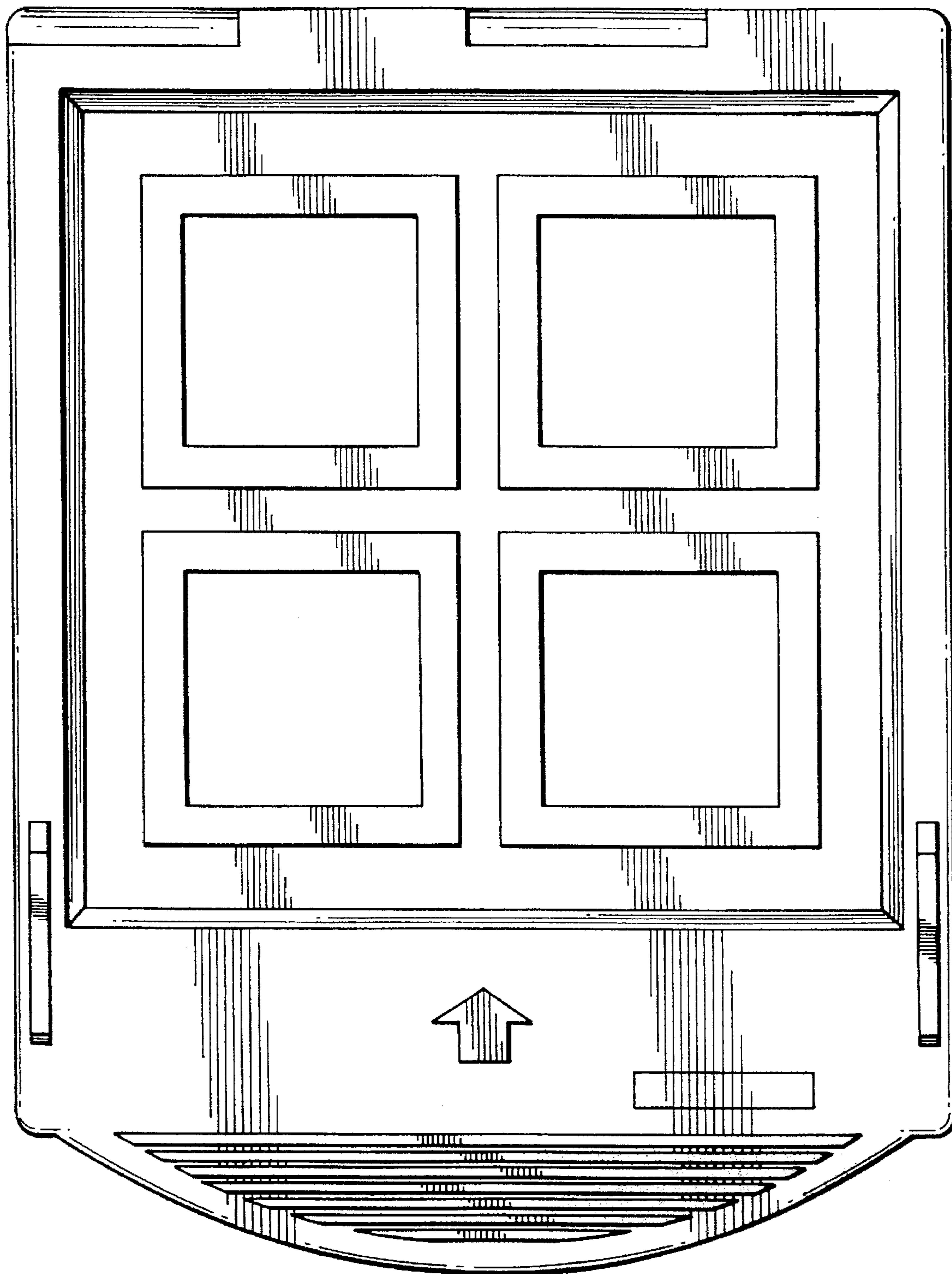


FIG. 3

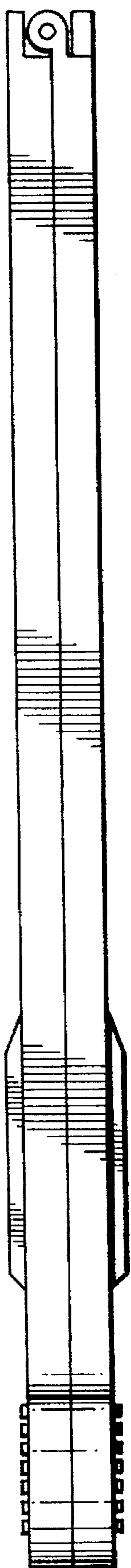


FIG. 4

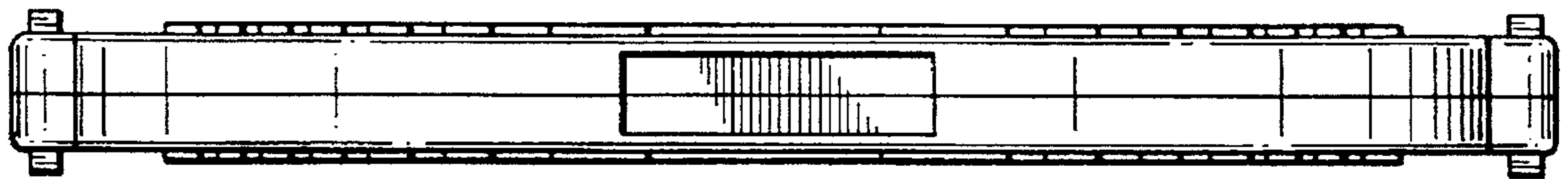


FIG. 5

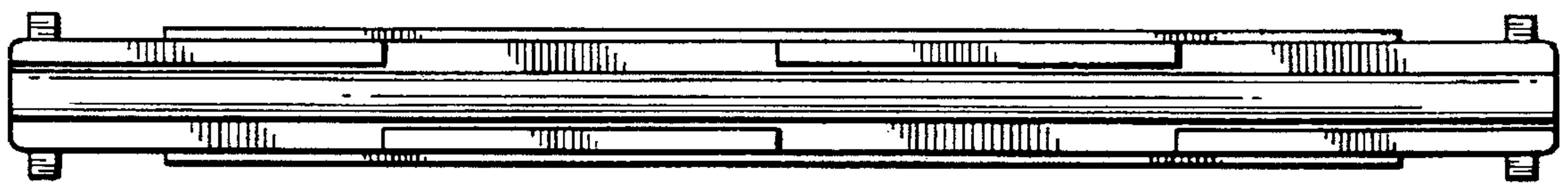


FIG. 6

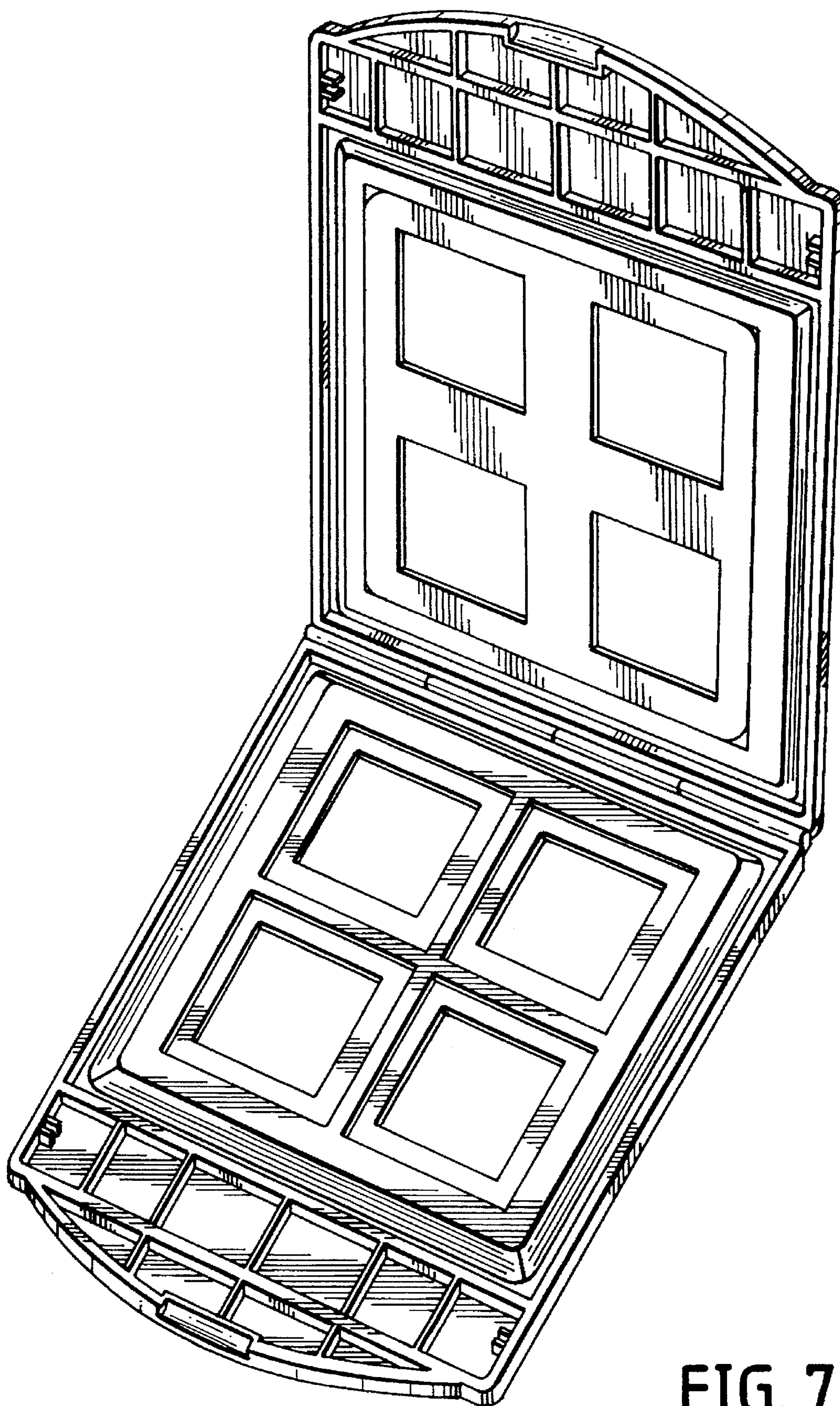


FIG. 7