



US00D380764S

# United States Patent [19] Ishii

[11] Patent Number: **Des. 380,764**  
[45] Date of Patent: **\*\*Jul. 8, 1997**

[54] **COMBINED VIDEO TAPE RECORDER AND CAMERA**

5,469,271 11/1995 Hoshino et al. .... 358/906

[75] Inventor: **Daisuke Ishii**, Tokyo, Japan

*Primary Examiner*—Philip S. Hyder  
*Assistant Examiner*—Adir Aronovich  
*Attorney, Agent, or Firm*—Foley & Lardner

[73] Assignee: **Sony Corporation**, Tokyo, Japan

[57] **CLAIM**

[\*\*] Term: **14 Years**

The ornamental design for a combined video tape recorder and camera, as shown and described.

[21] Appl. No.: **36,343**

### DESCRIPTION

[22] Filed: **Mar. 16, 1995**

[51] **LOC (6) Cl.** ..... **16-01**

[52] **U.S. Cl.** ..... **D16/202**

[58] **Field of Search** ..... D16/200, 202,  
D16/203-206, 208; 348/373-376; 352/34,  
242, 243; 354/82, 288; 358/966

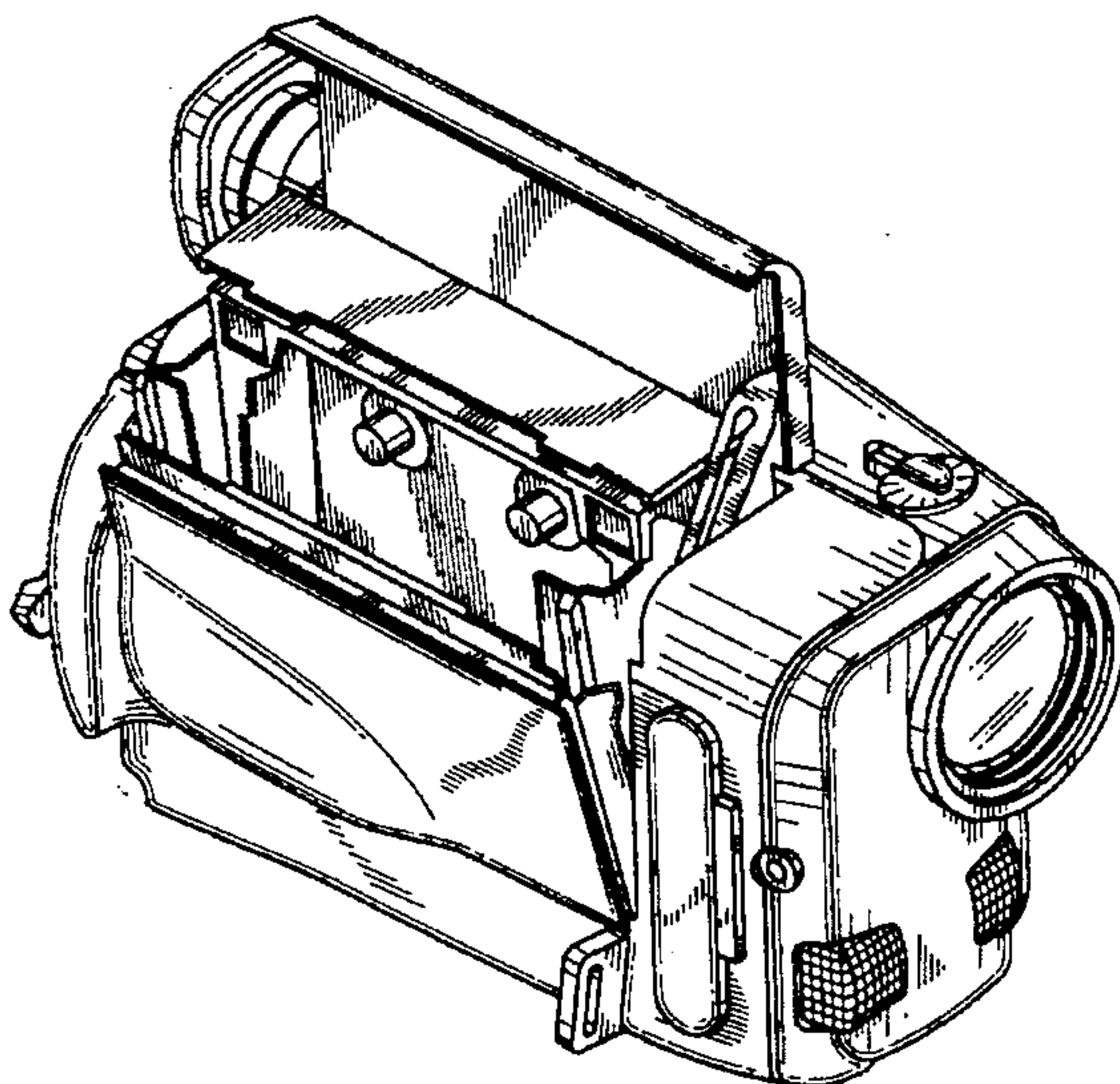
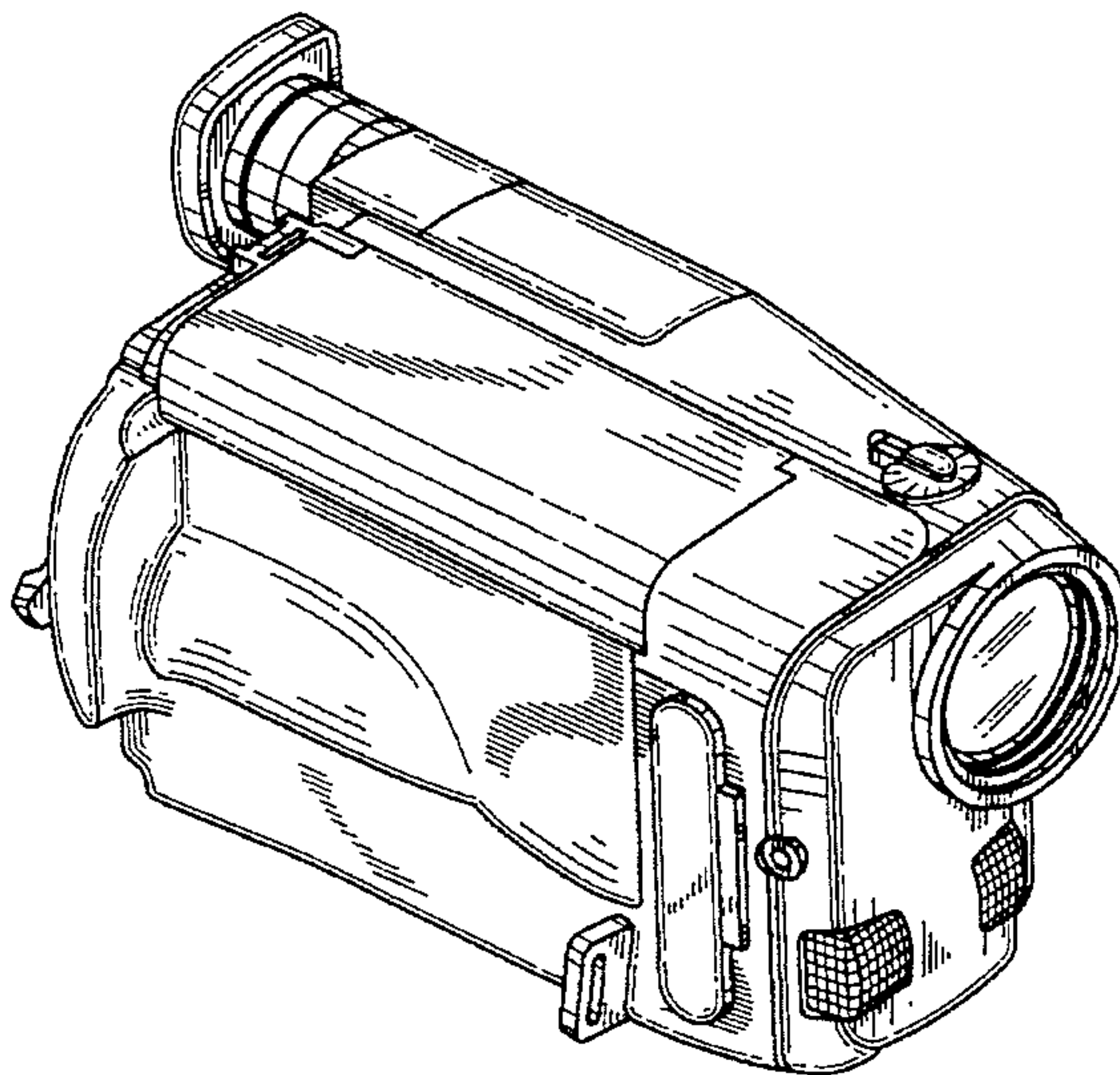
FIG. 1 is a perspective view of a combined video tape recorder and camera showing my new design;  
FIG. 2 is a top plan view thereof;  
FIG. 3 is a left side elevational view thereof;  
FIG. 4 is a front elevational view thereof;  
FIG. 5 is a bottom plan view thereof;  
FIG. 6 is a right side elevational view thereof;  
FIG. 7 is a rear elevational view thereof; and,  
FIG. 8 is a perspective view thereof, the cover being in an open position.

### [56] **References Cited**

#### U.S. PATENT DOCUMENTS

D. 346,615 5/1994 Sumita ..... D16/202  
D. 355,664 2/1995 Kataoka ..... D16/202  
D. 356,589 3/1995 Sumita ..... D16/202

**1 Claim, 4 Drawing Sheets**



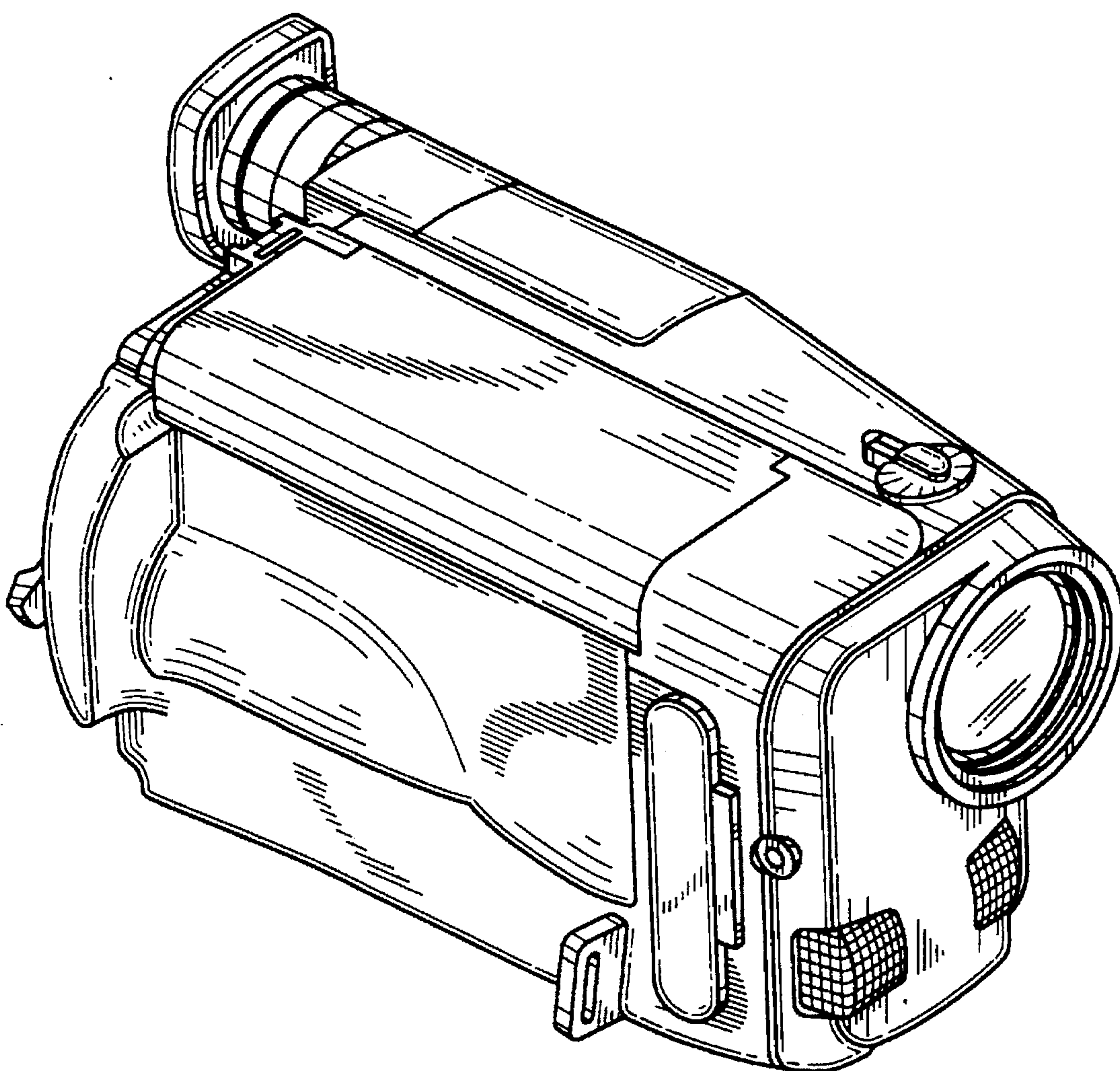


FIG. 1



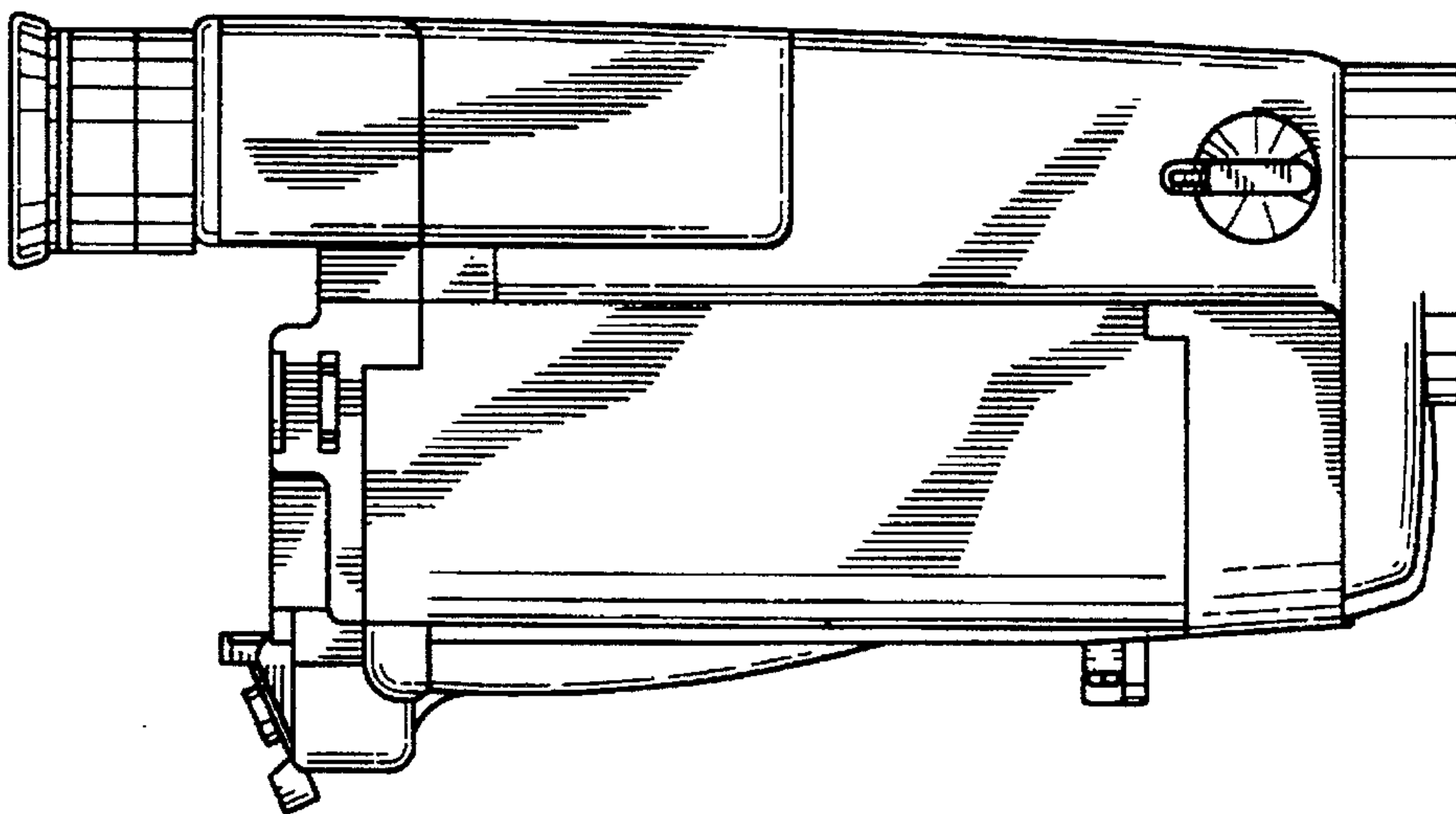


FIG. 2

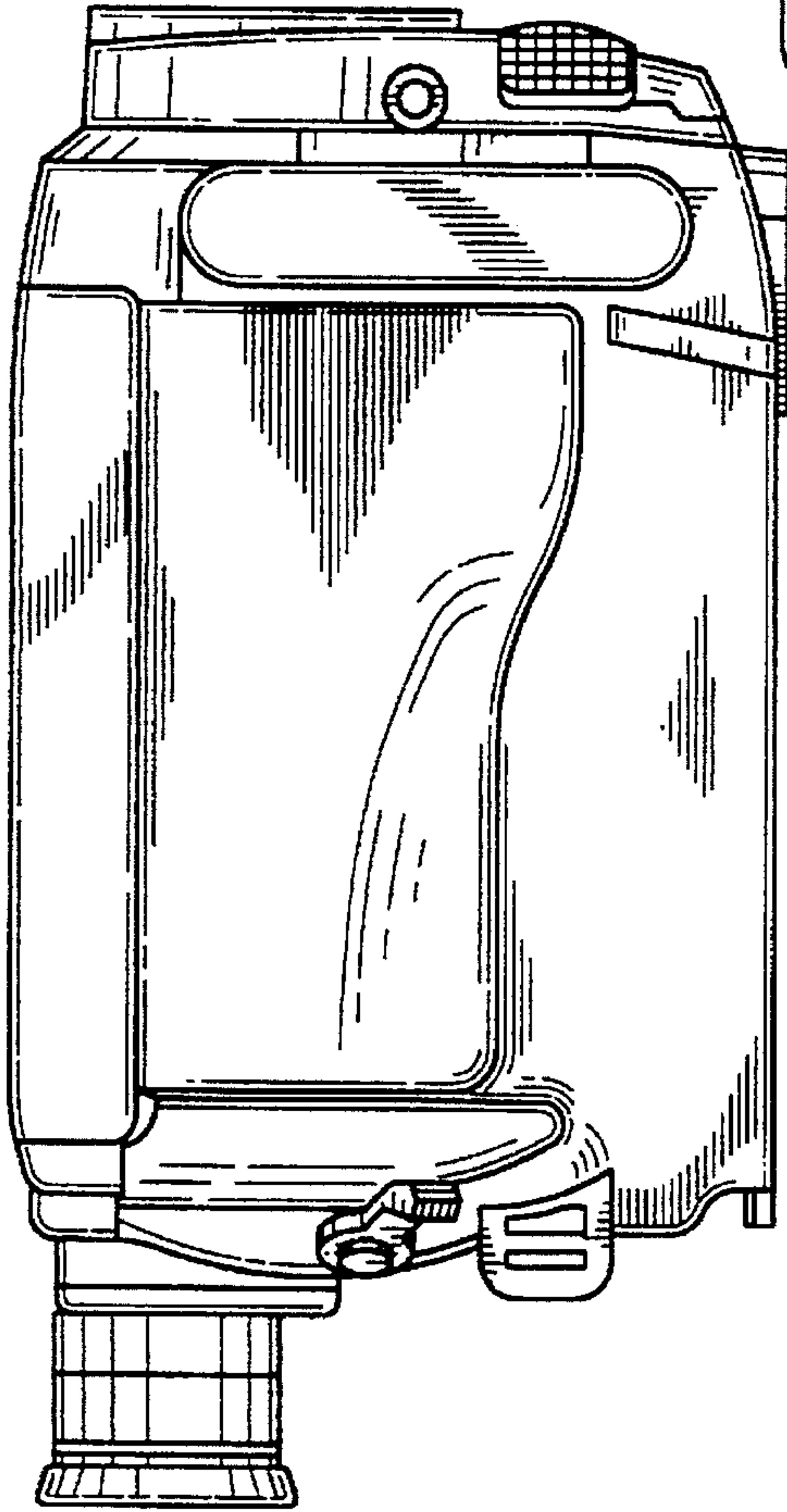


FIG. 3

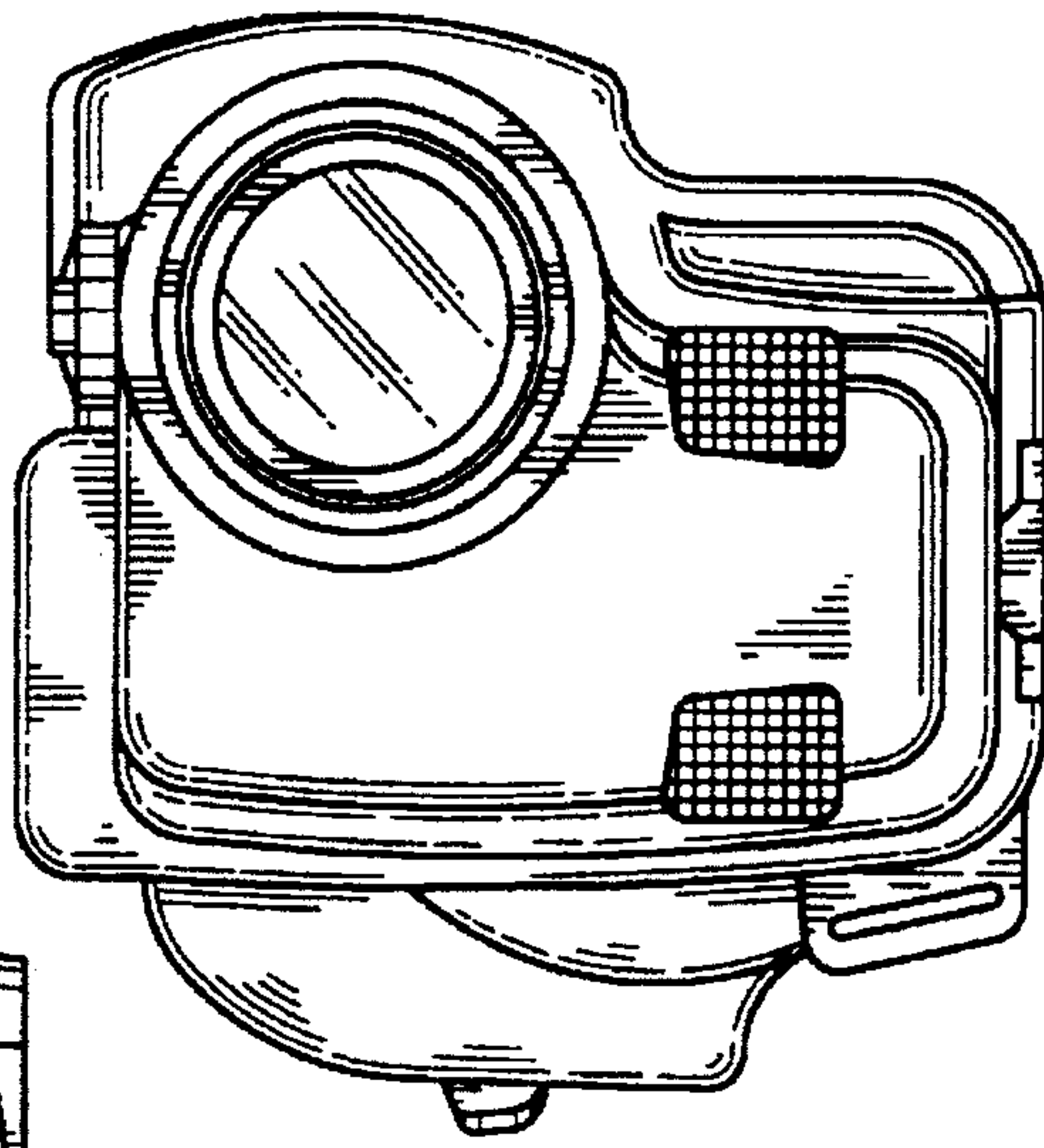


FIG. 4

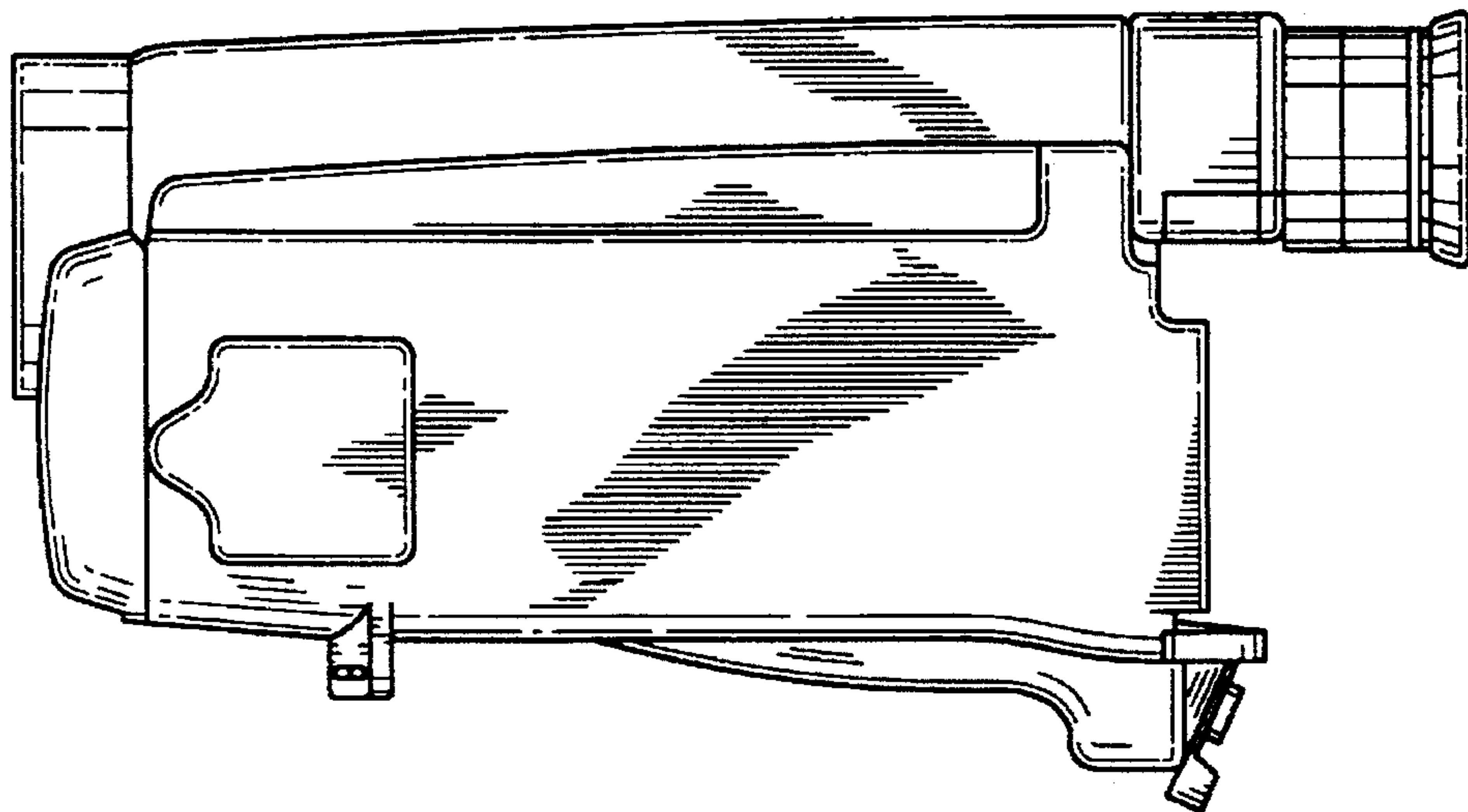


FIG. 5

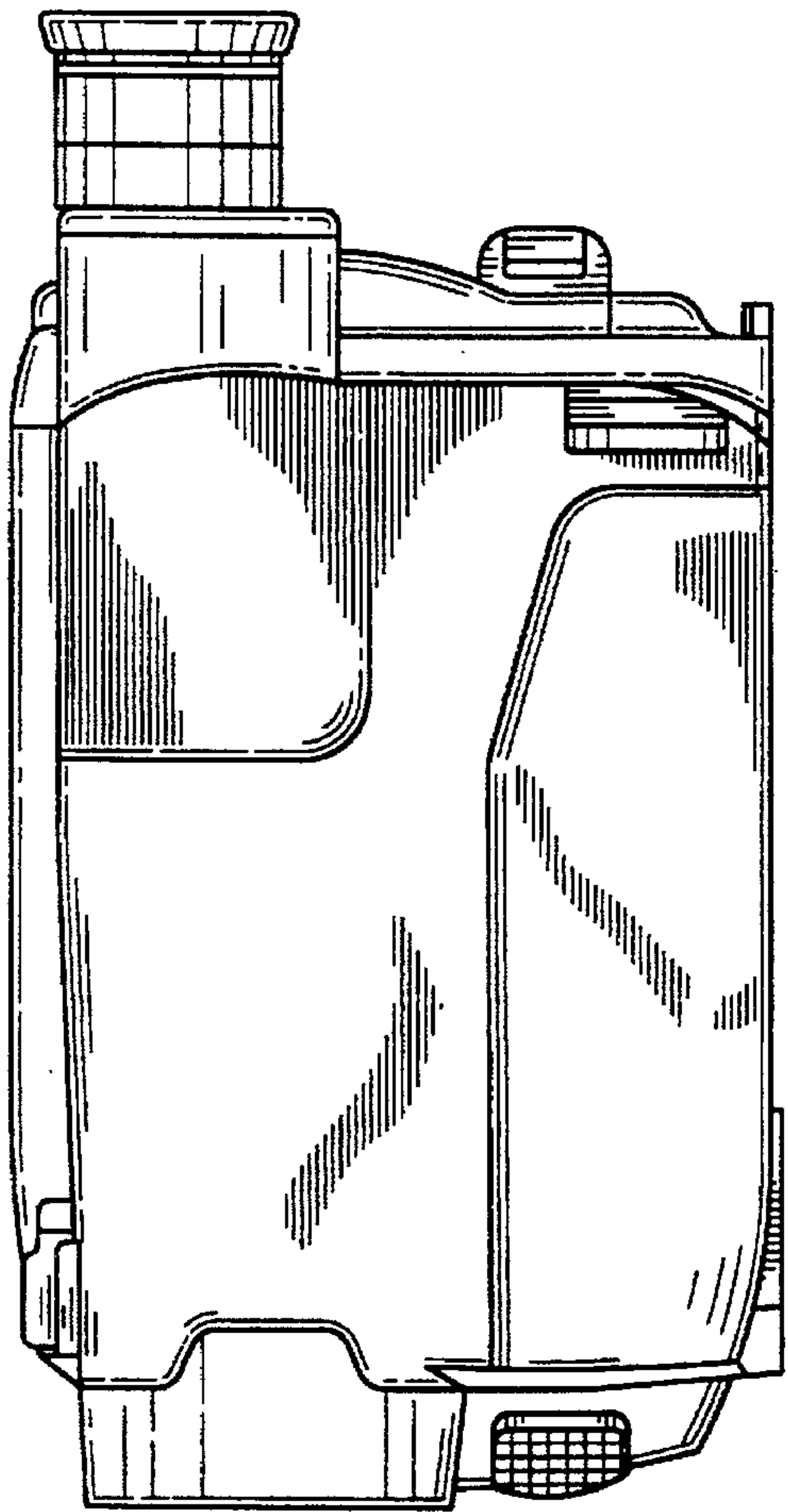


FIG. 6

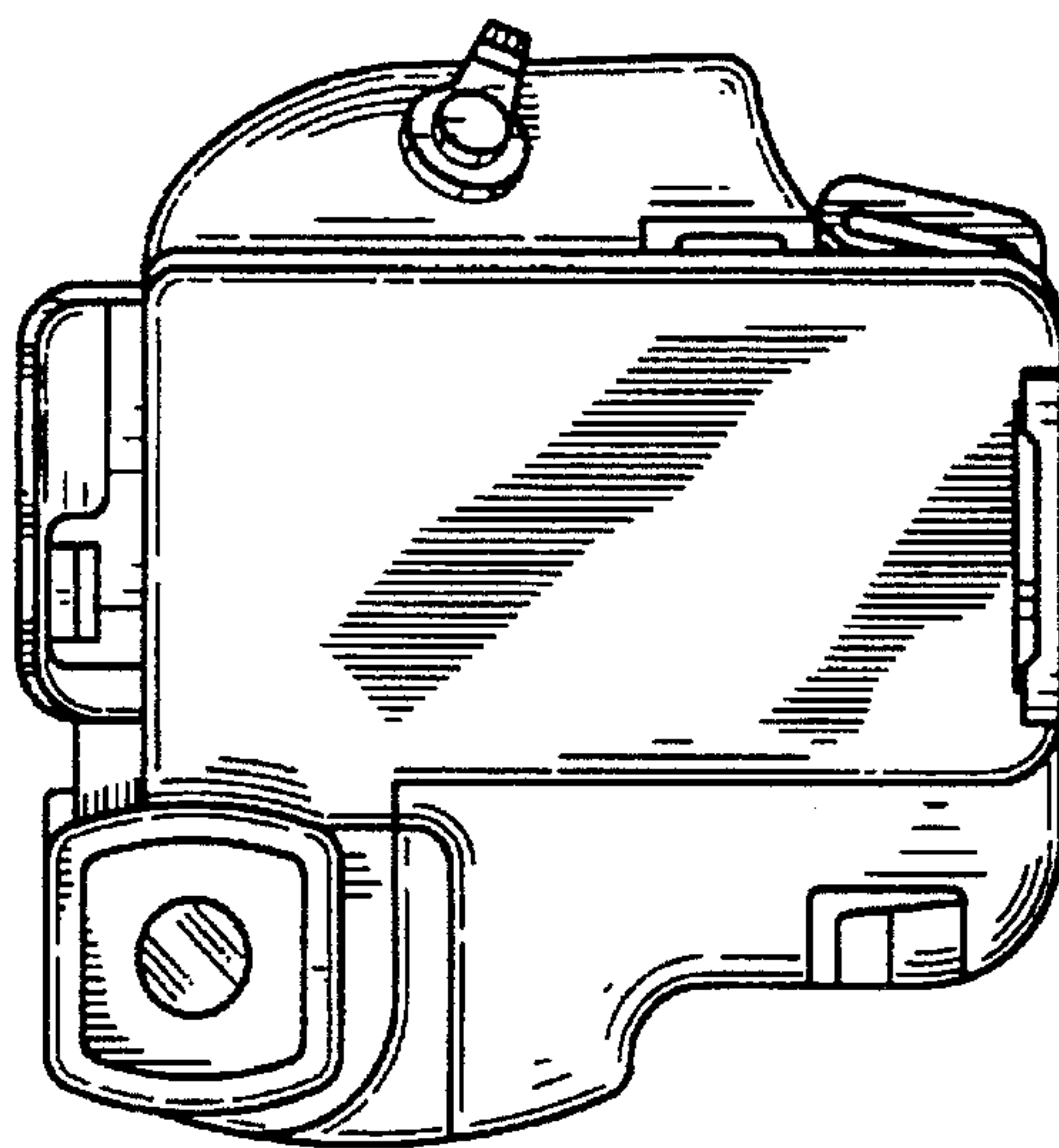


FIG. 7

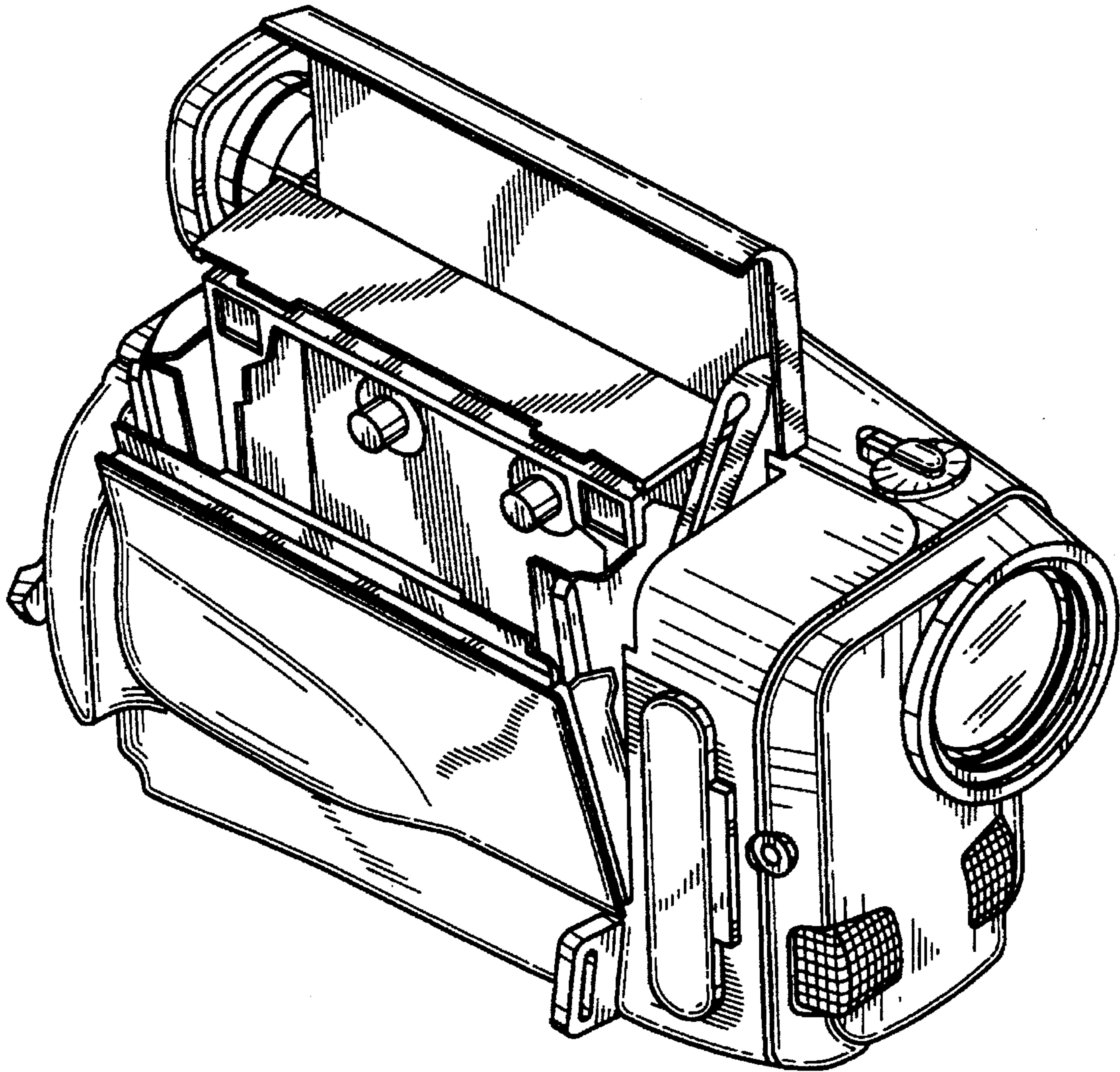


FIG. 8