



US00D380762S

United States Patent [19]

[11] Patent Number: **Des. 380,762**

Sammut

[45] Date of Patent: ****Jul. 8, 1997**

[54] **MULTIPURPOSE FREEZER TRAY**

[76] Inventor: **Kaye J. Sammut**, 17 Ireland Way,
Bassendean, West Australia 6054,
Australia

[**] Term: **14 Years**

[21] Appl. No.: **41,942**

[22] Filed: **Jul. 27, 1995**

[51] LOC (6) Cl. **15-07**

[52] U.S. Cl. **D15/89; D6/511; D30/120**

[58] Field of Search **D6/511, 536; D15/79-91;**
D30/120; 312/401-408, 114, 116, 137,
138.1, 236; 62/246-254, 444, 445, 457.7;
108/53.1, 53.3, 91, 156; 211/49.1

[56] **References Cited**

U.S. PATENT DOCUMENTS

D. 241,297	9/1976	Maslow	D30/120
D. 312,545	12/1990	Cohn	D6/511
D. 338,792	8/1993	Chap et al.	D6/511
2,916,237	12/1959	Stopps	108/53.3
4,279,204	7/1981	Propst	108/53.3
4,574,709	3/1986	Lackey et al.	108/156

4,673,092	6/1987	Lamson et al.	108/53.1
4,815,394	3/1989	Ettlinger et al.	D6/511
5,052,184	10/1991	Jarvis	62/457.7
5,052,185	10/1991	Spahr	62/457.7
5,341,748	8/1994	Liu	108/53.1

Primary Examiner—Sandra L. Morris
Attorney, Agent, or Firm—H. Jay Spiegel

[57] **CLAIM**

The ornamental design for a multipurpose freezer tray, as shown and described.

DESCRIPTION

FIG. 1 is a perspective view of a multipurpose freezer tray, showing my new design, the broken line showing of additional trays is for illustrative purposes only, and forms no part of the claimed design;

FIG. 2 shows a top view of my claimed design;

FIG. 3 shows a bottom view of my claimed design;

FIG. 4 shows a side view of my claimed design of which the other side is identical; and,

FIG. 5 shows an end view of my claimed design of which the other end is identical.

1 Claim, 2 Drawing Sheets

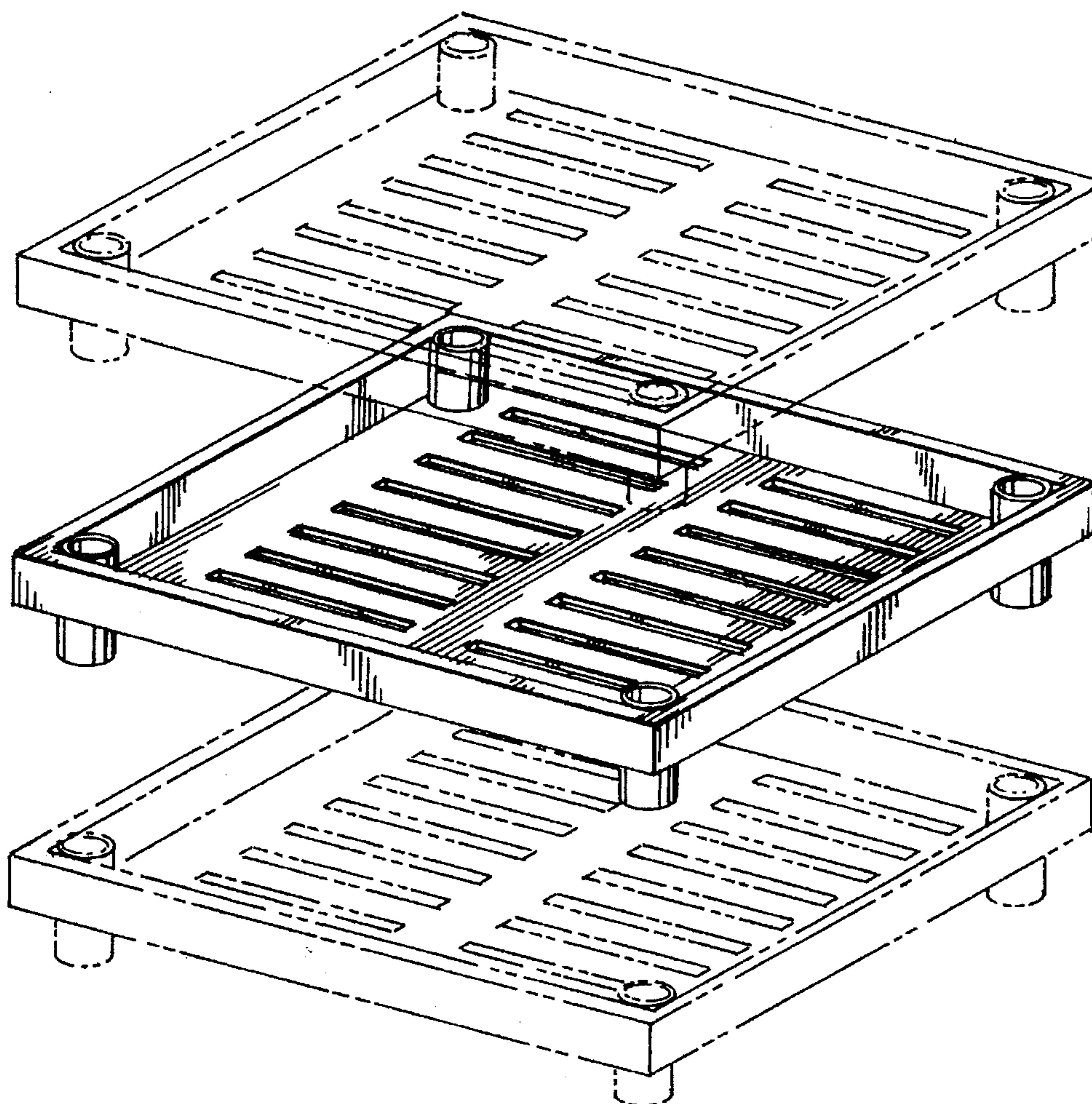


FIG. 1

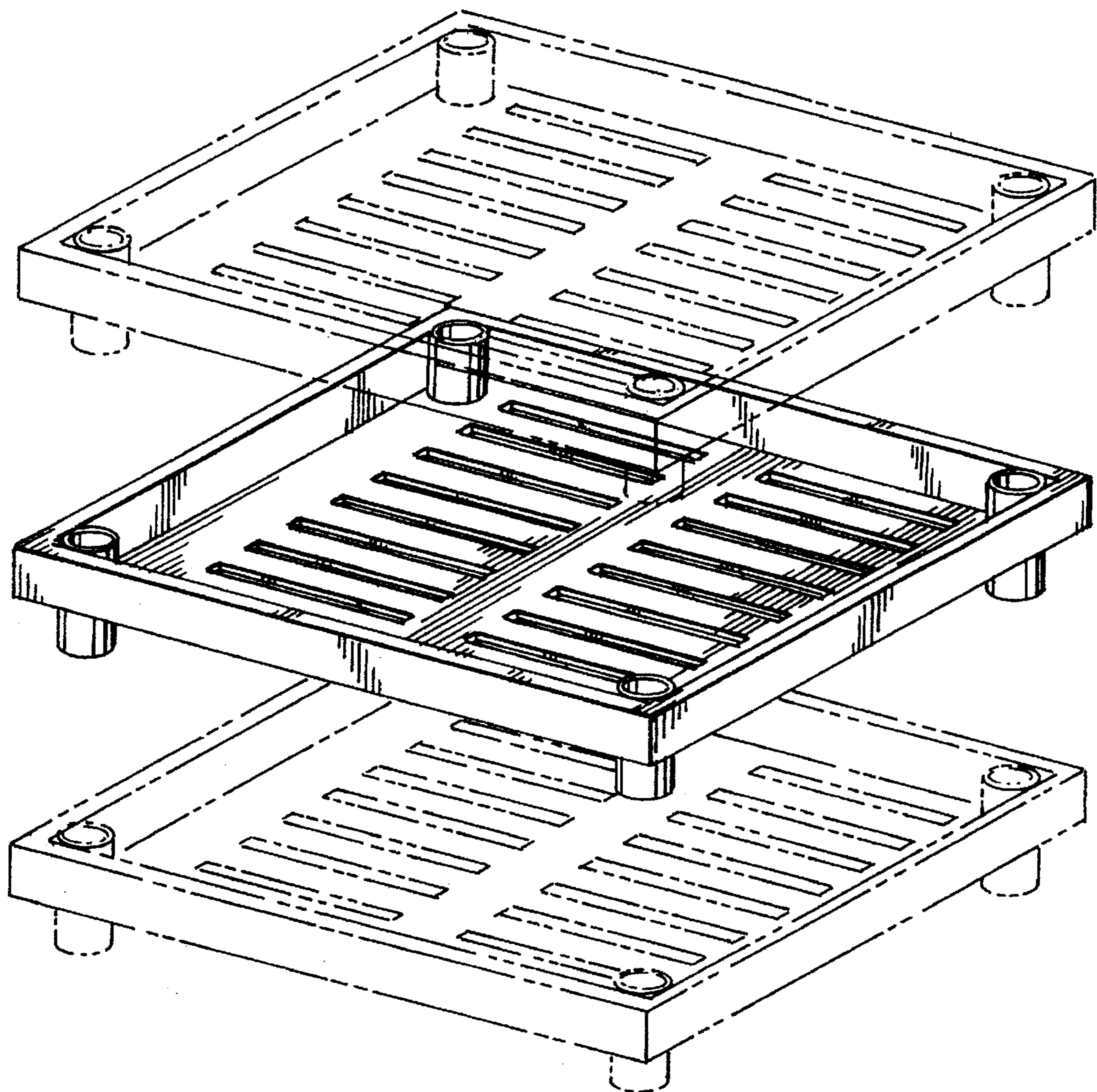


FIG. 2

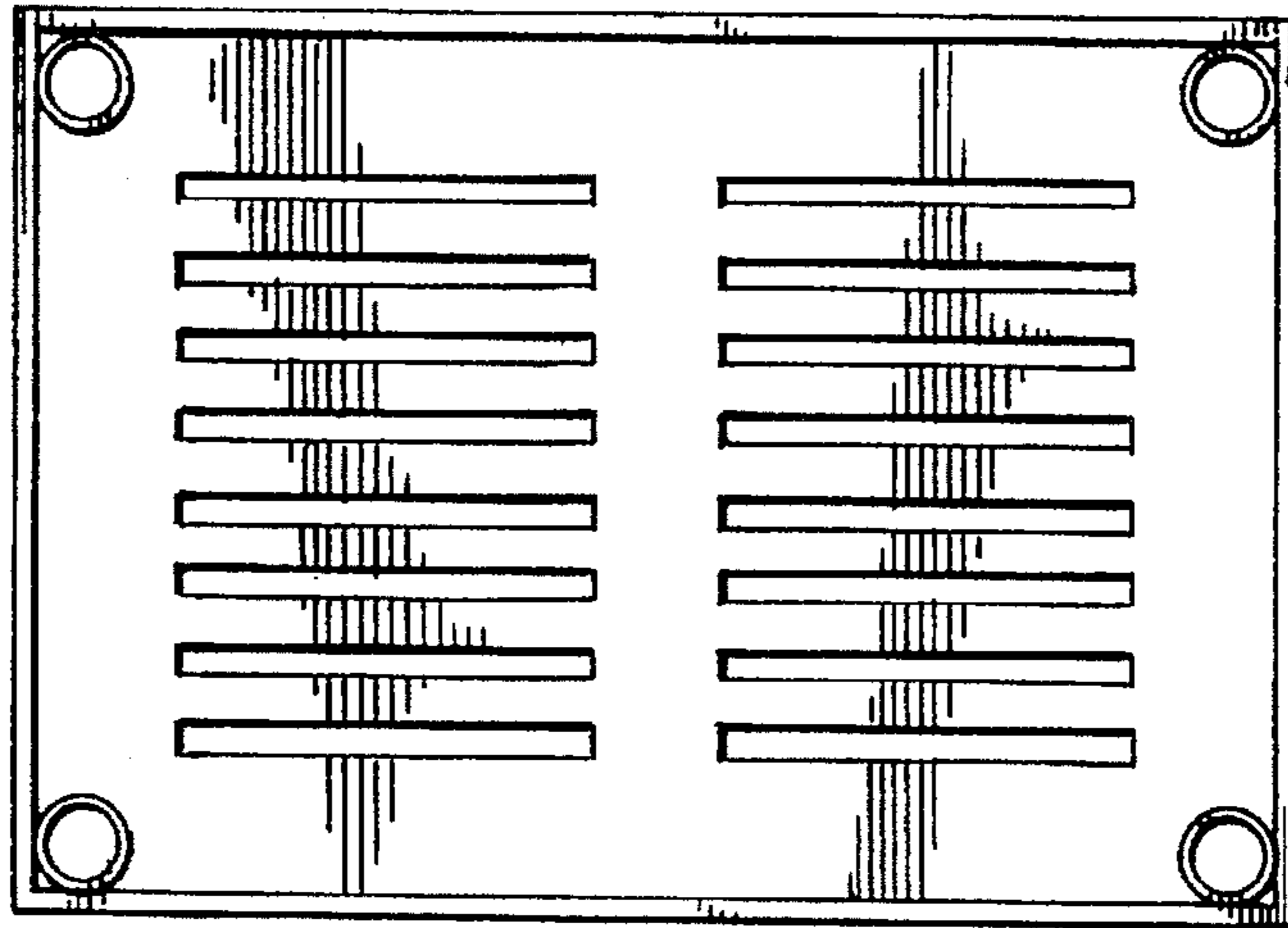


FIG. 3

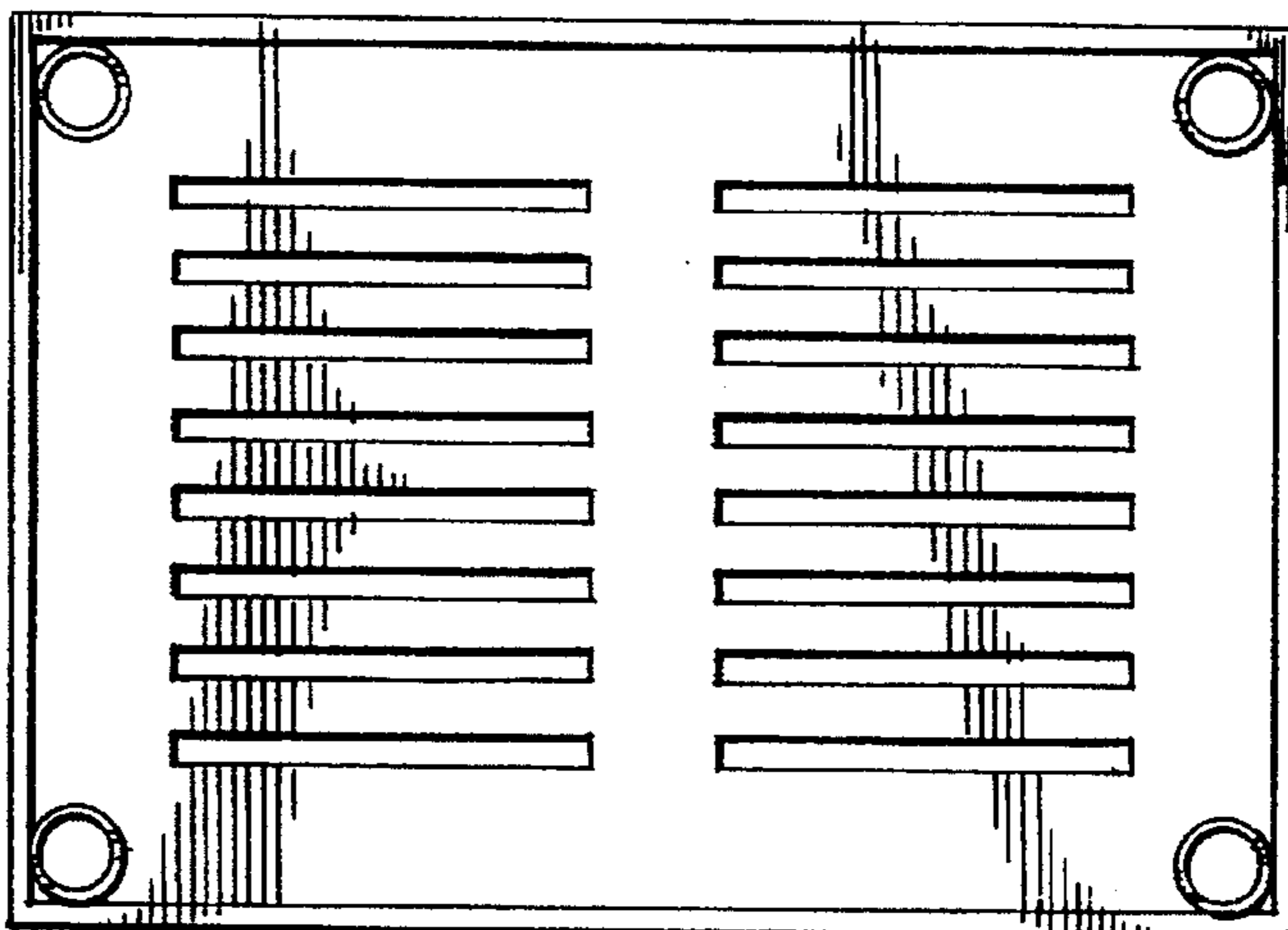


FIG. 4

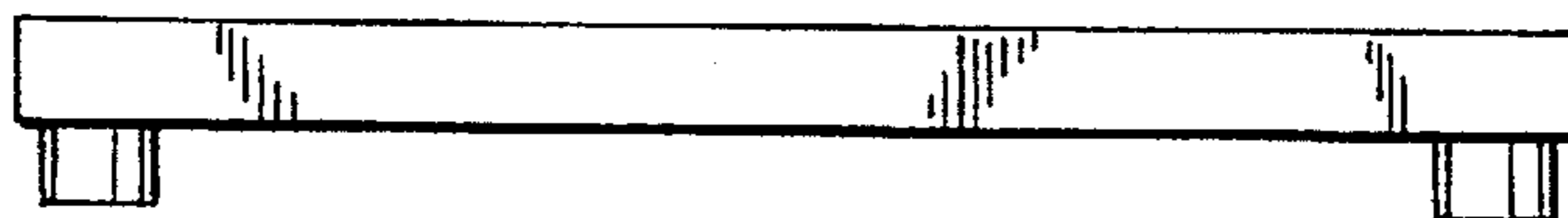


FIG. 5

