



US00D380761S

United States Patent [19] Saylor

[11] Patent Number: **Des. 380,761**
[45] Date of Patent: ****Jul. 8, 1997**

[54] MOWER

[76] Inventor: **Franklin D. Saylor**, R.D. 2, Box 147,
Hollisopple, Pa. 15935

[**] Term: **14 Years**

[21] Appl. No.: **46,097**

[22] Filed: **Nov. 7, 1995**

[51] LOC (6) Cl. **15-03**

[52] U.S. Cl. **D15/15**

[58] Field of Search D15/10, 14-17,
D15/22-26; 56/6, 13.3, 13.4, 15.8, 16.7,
17.1, 17.5, 202, 255, 294, 320.1, 320.2;
180/89.1, 89.12, 900

[56] References Cited

U.S. PATENT DOCUMENTS

D. 249,267	9/1978	Brackin et al.	D15/15
D. 271,020	10/1983	Malmberg et al.	D15/15
D. 363,495	10/1995	Good et al.	D15/15
4,589,249	5/1986	Walker et al.	56/202
4,787,646	11/1988	Kamlukin et al.	56/15.8
4,914,898	4/1990	Jenkins et al.	56/15.8

OTHER PUBLICATIONS

John Deere F700 Series Front Mowers Catalog printed Jan. 1992, cover.

Dyna Mow Catalog, cover.

Primary Examiner—Sandra L. Morris

Attorney, Agent, or Firm—Banner & Witcoff, Ltd.

[57] CLAIM

The ornamental design for a mower, as shown and described.

DESCRIPTION

FIG. 1 is a perspective view of a mower showing my new design;

FIG. 2 is a top plan view of the mower of FIG. 1;

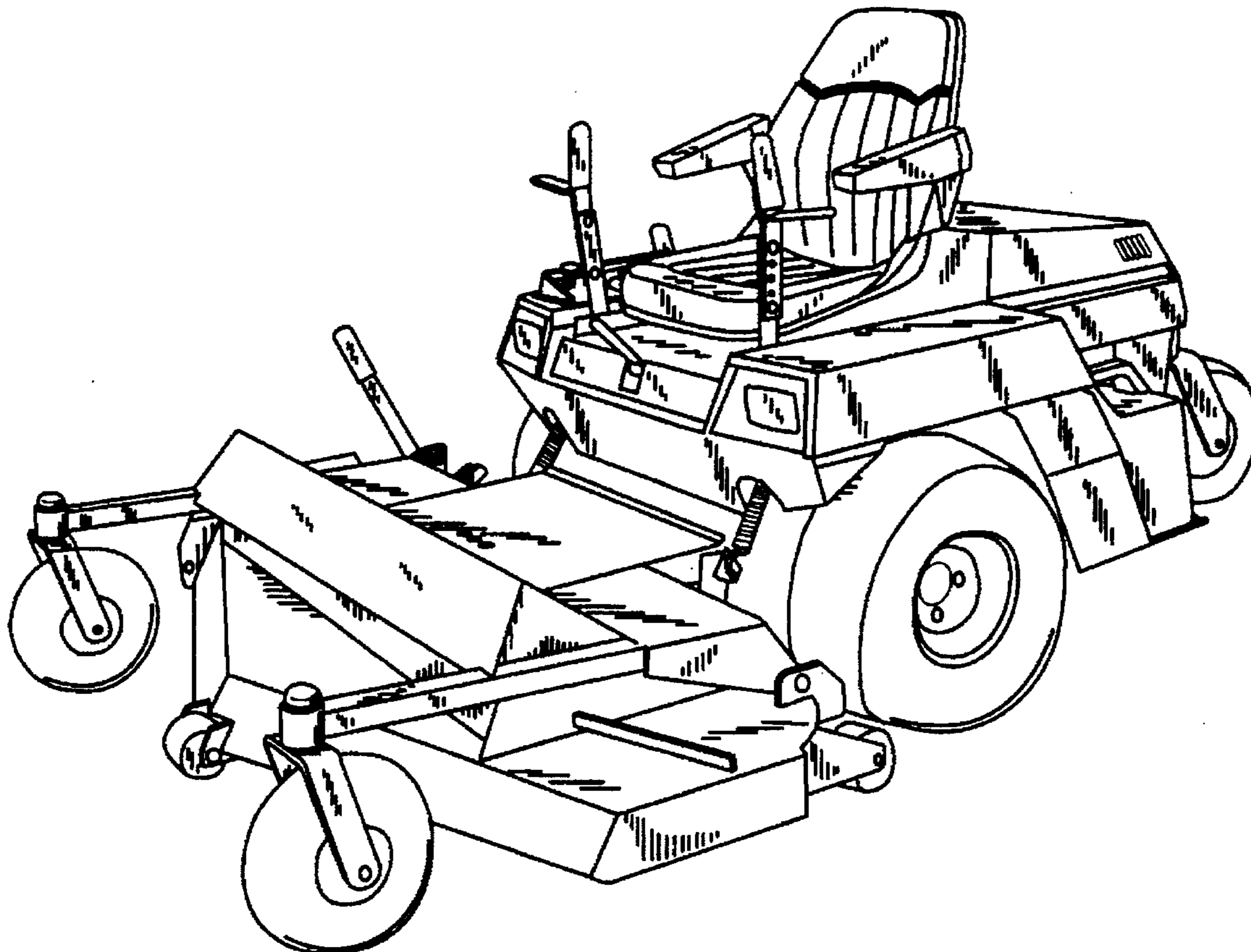
FIG. 3 is a right side elevational view of the mower of FIG. 1;

FIG. 4 is a left side elevational view of the mower of FIG. 1;

FIG. 5 is an enlarged front elevational view thereof; and, FIG. 6 is an enlarged rear elevational view thereof.

The bottom surfaces of the mower form no ornamental part of the claimed design.

1 Claim, 3 Drawing Sheets



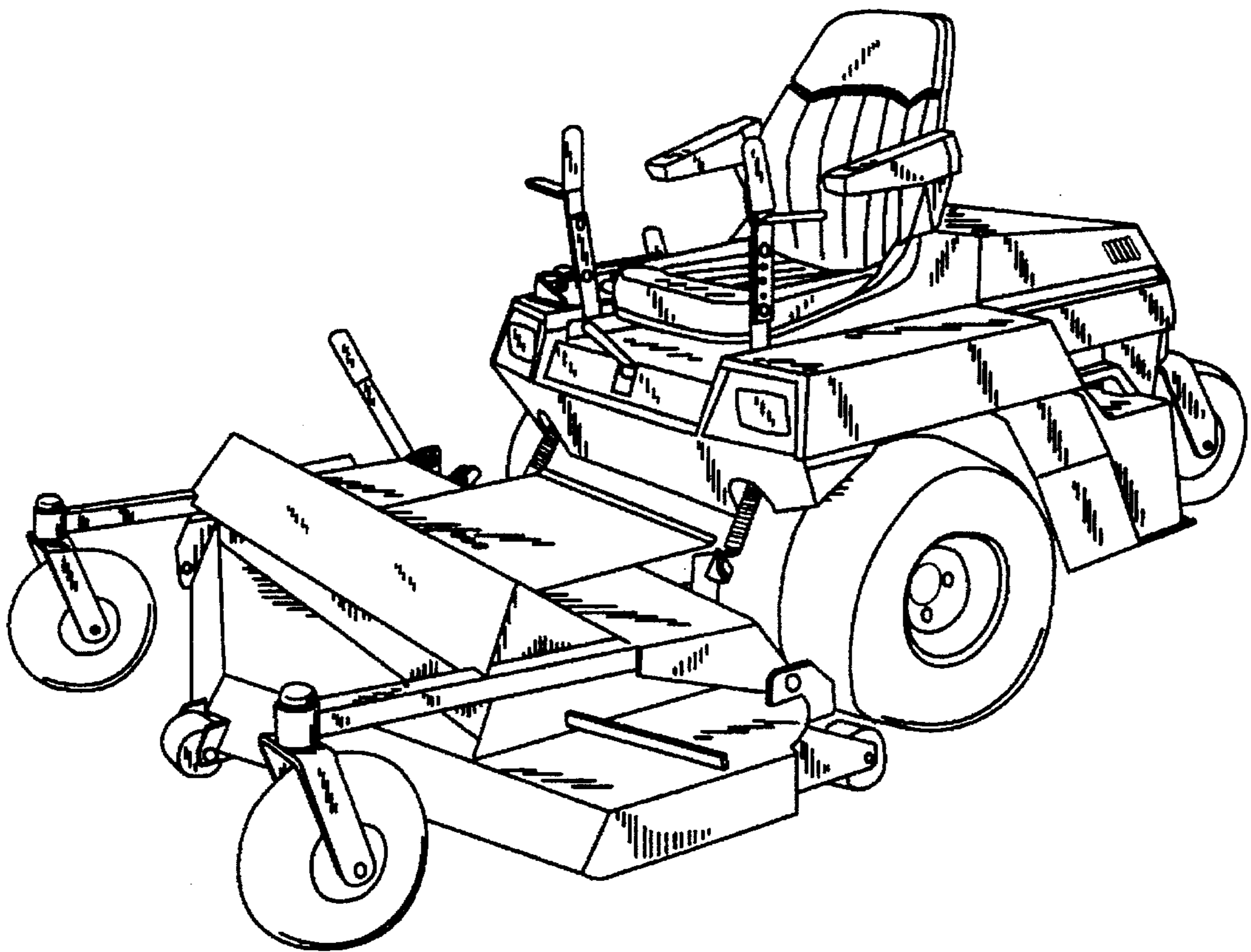


FIG. 1

FIG. 2

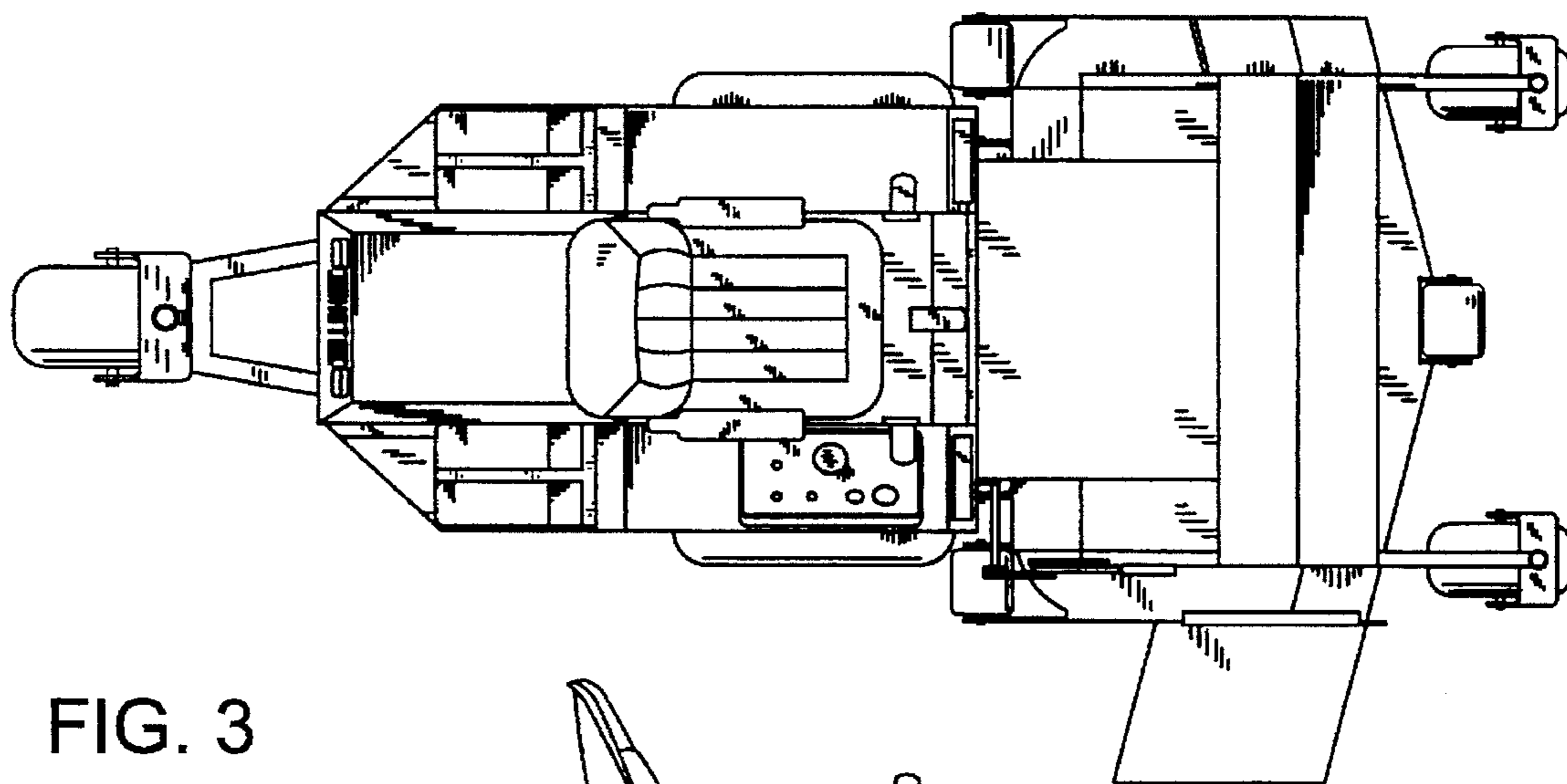


FIG. 3

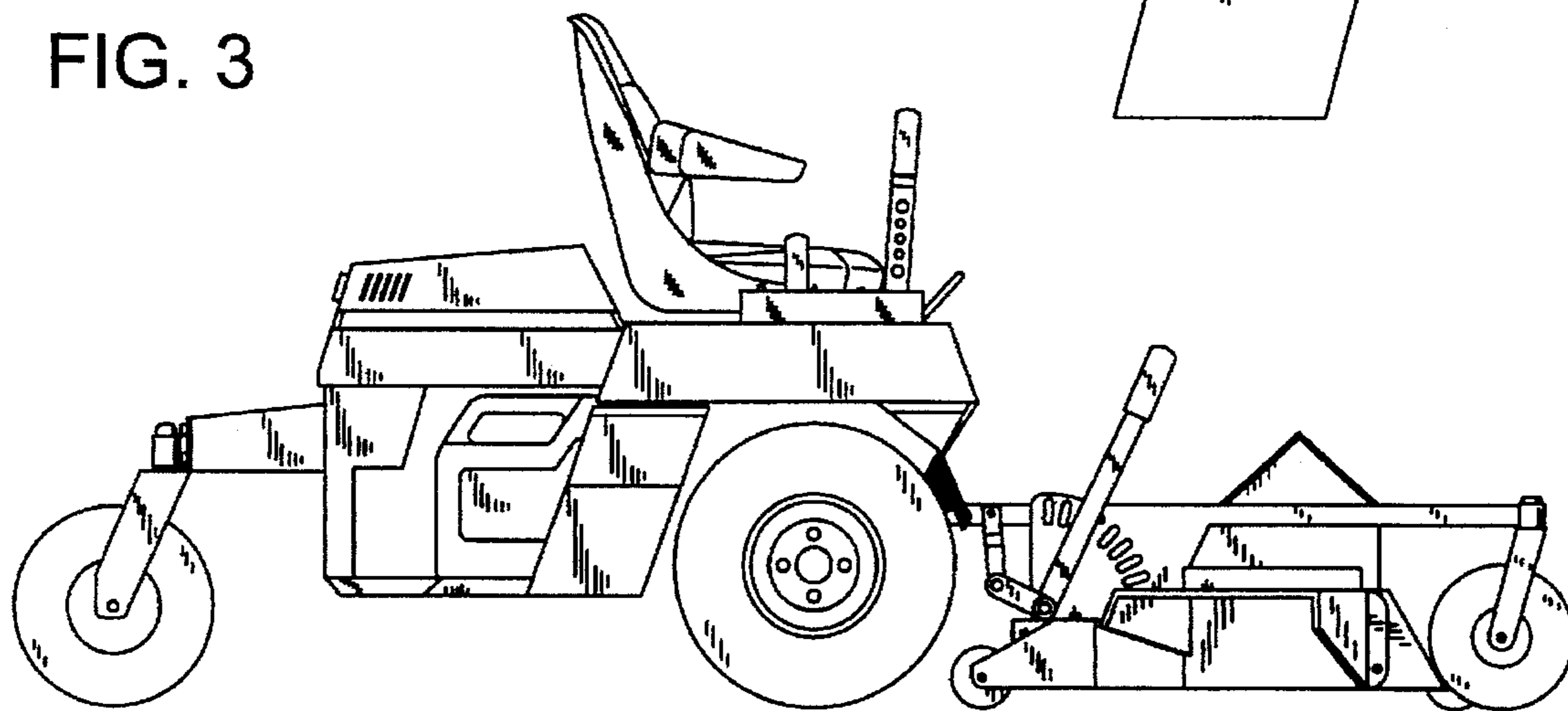


FIG. 4

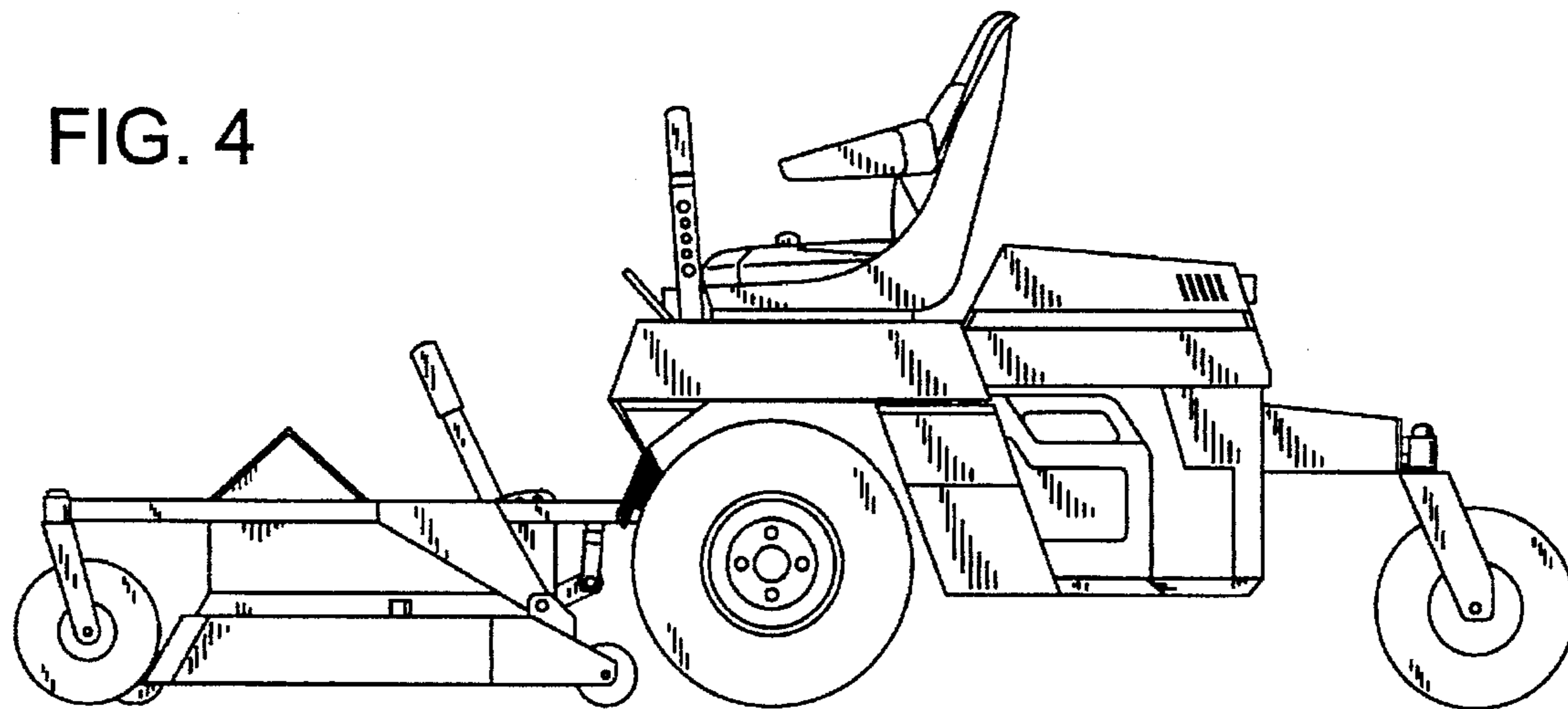


FIG. 5

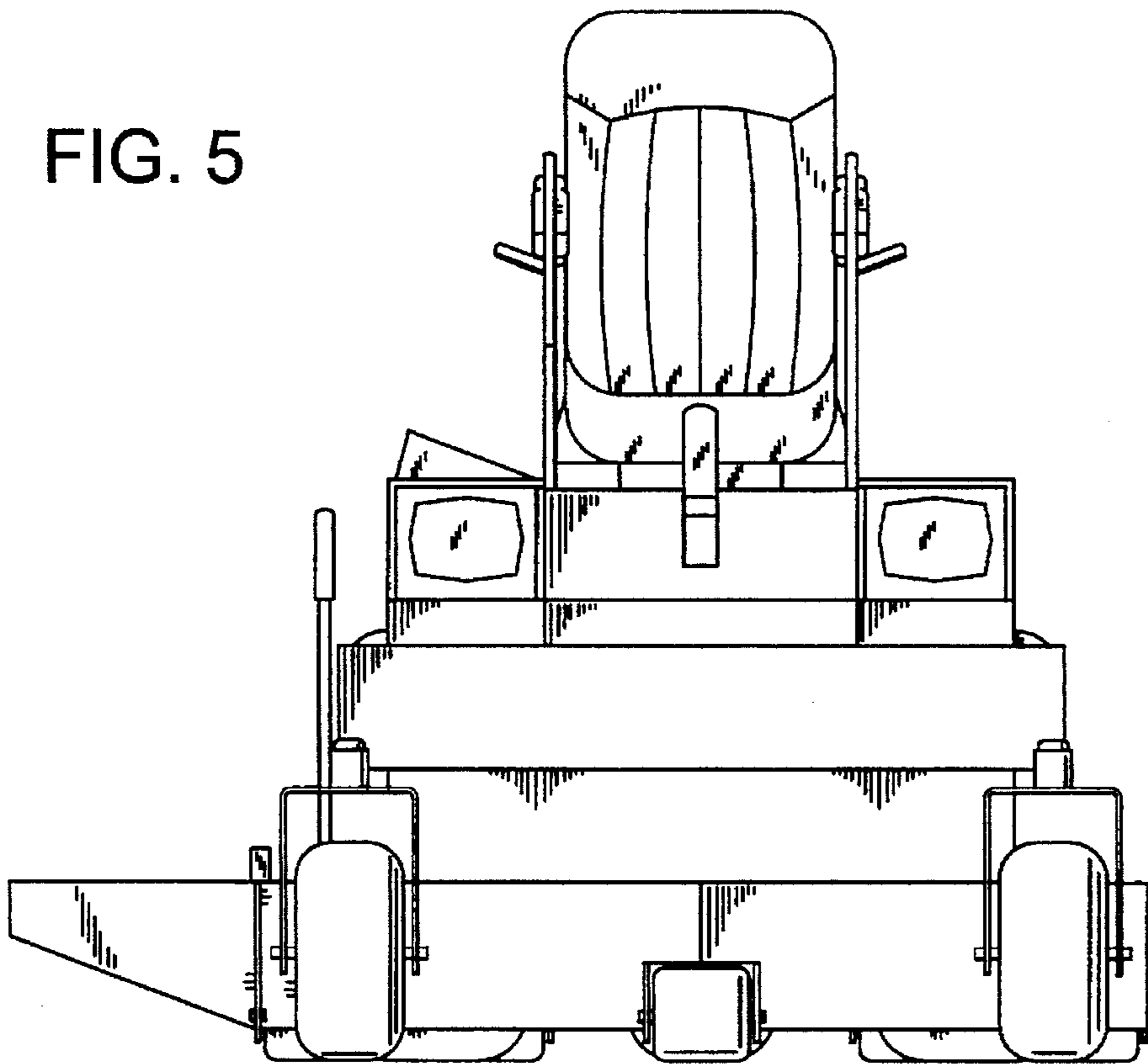


FIG. 6

