



US00D380758S

United States Patent [19] Zeitman

[11] Patent Number: **Des. 380,758**
[45] Date of Patent: ****Jul. 8, 1997**

[54] **RADIO**
[75] Inventor: **Josh Zeitman**, Brooklyn, N.Y.
[73] Assignee: **Lenoxx Electronics Corp.**, Brooklyn, N.Y.
[**] Term: **14 Years**
[21] Appl. No.: **45,330**
[22] Filed: **Oct. 17, 1995**
[51] LOC (6) Cl. **14-03**
[52] U.S. Cl. **D14/194**
[58] Field of Search D14/169-171,
D14/188-189, 192-198, 257, 265, 299;
455/344, 347-351

D. 251,910 5/1979 Taniguchi D14/194
D. 258,883 4/1981 Fink D14/196
D. 262,536 1/1982 Miyanaga et al. D14/194
D. 272,536 2/1984 Kaneko D14/194
D. 281,879 12/1985 Ishii et al. D14/194

Primary Examiner—Sandra L. Morris
Assistant Examiner—Nanda Bondade
Attorney, Agent, or Firm—Burns, Doane, Swecker & Mathis

[57] CLAIM

The ornamental design for a "radio", as shown and described.

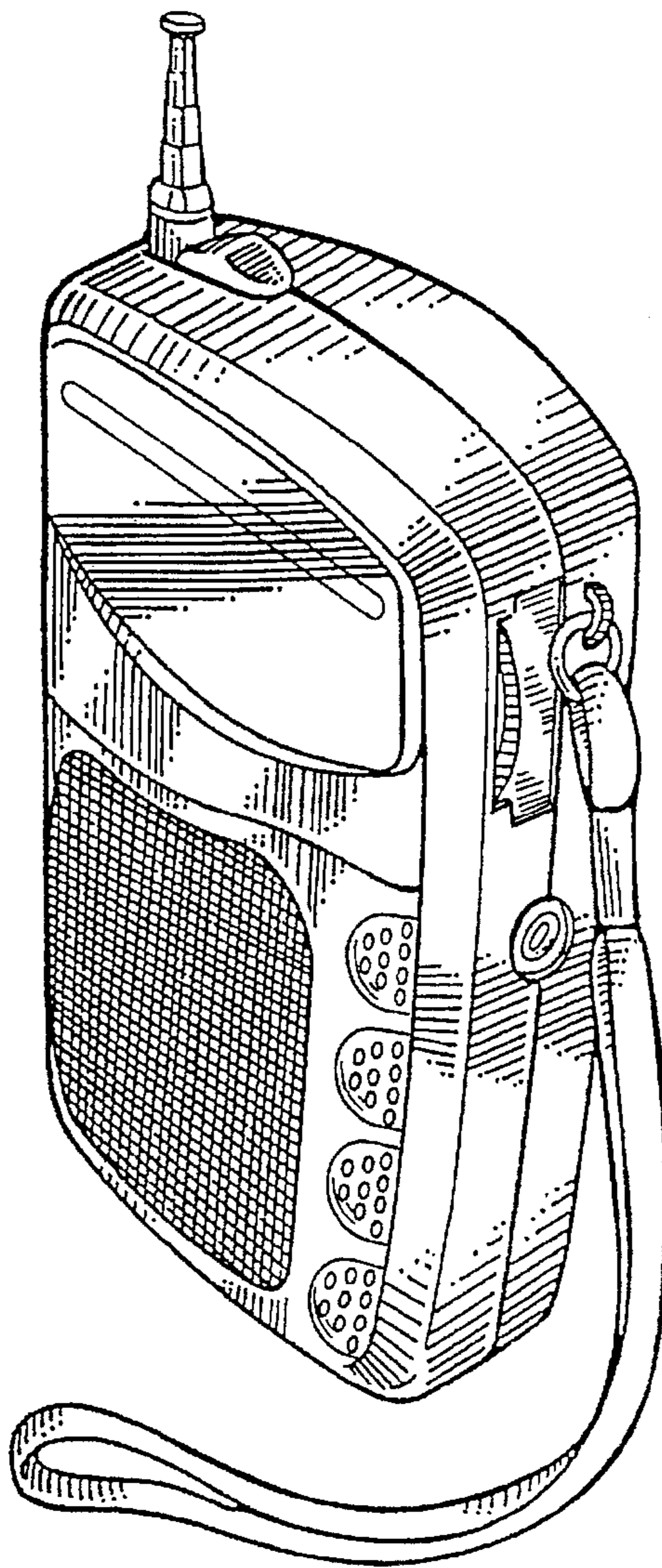
DESCRIPTION

FIG. 1 is a front view of a radio showing my new design;
FIG. 2 is a rear view thereof;
FIG. 3 is a top plan view thereof;
FIG. 4 is a bottom plan view thereof;
FIG. 5 is a right side elevational view thereof;
FIG. 6 is a left side elevational view thereof; and,
FIG. 7 is a perspective view thereof.

[56] References Cited U.S. PATENT DOCUMENTS

D. 212,716 11/1968 Keenan D14/194
D. 232,770 9/1974 Miyamoto et al. D14/194

1 Claim, 6 Drawing Sheets



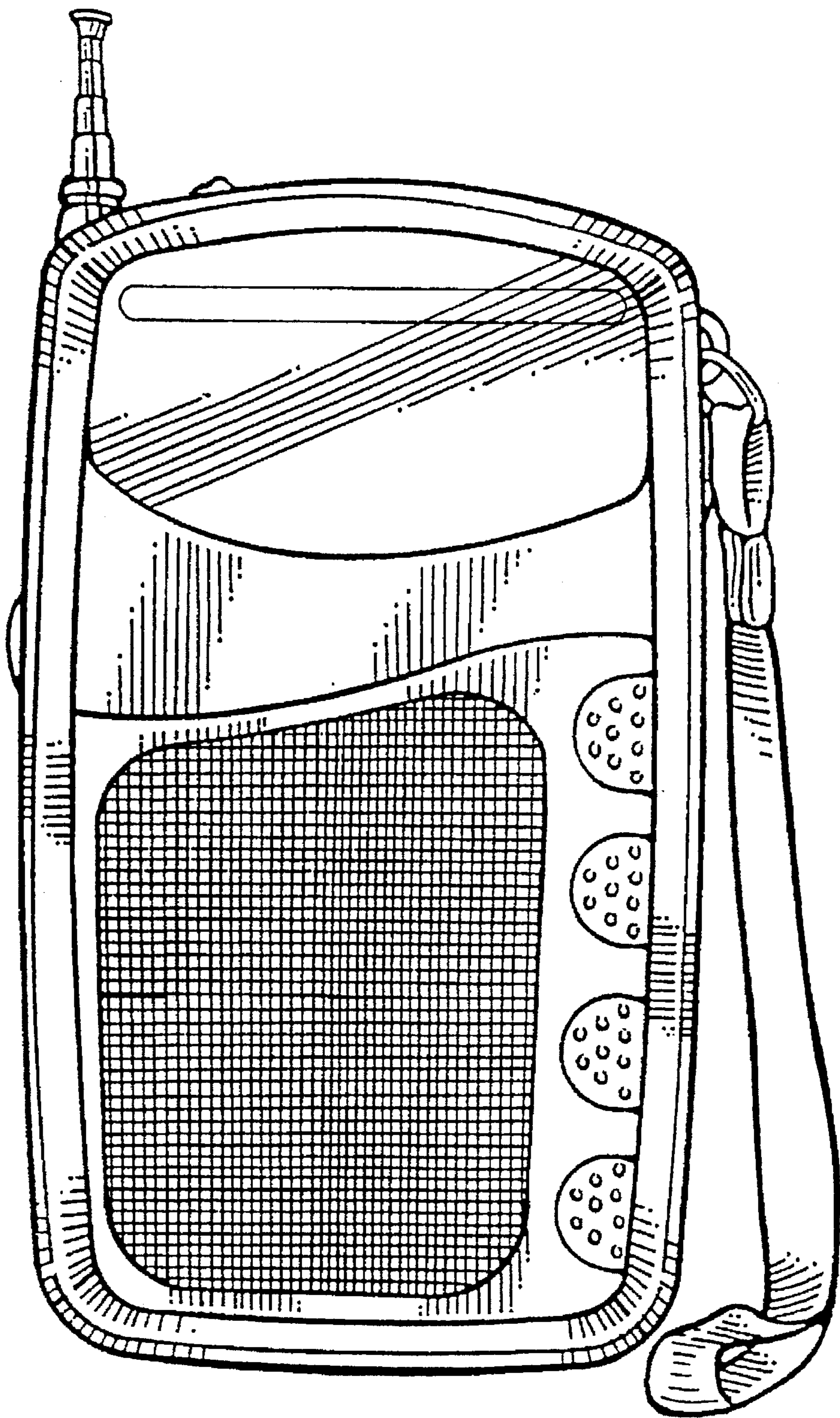


FIG. 1

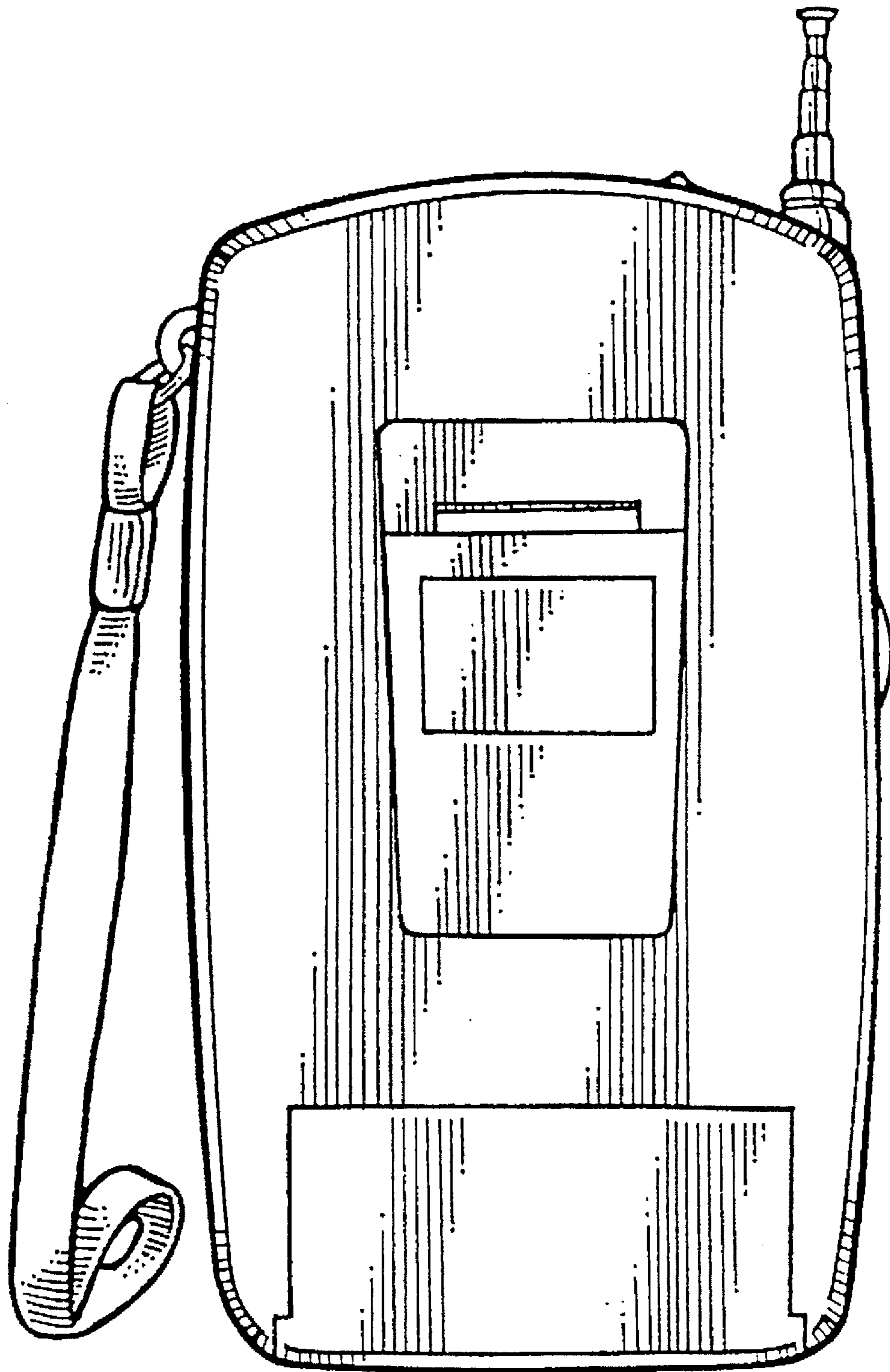


FIG. 2

FIG. 3

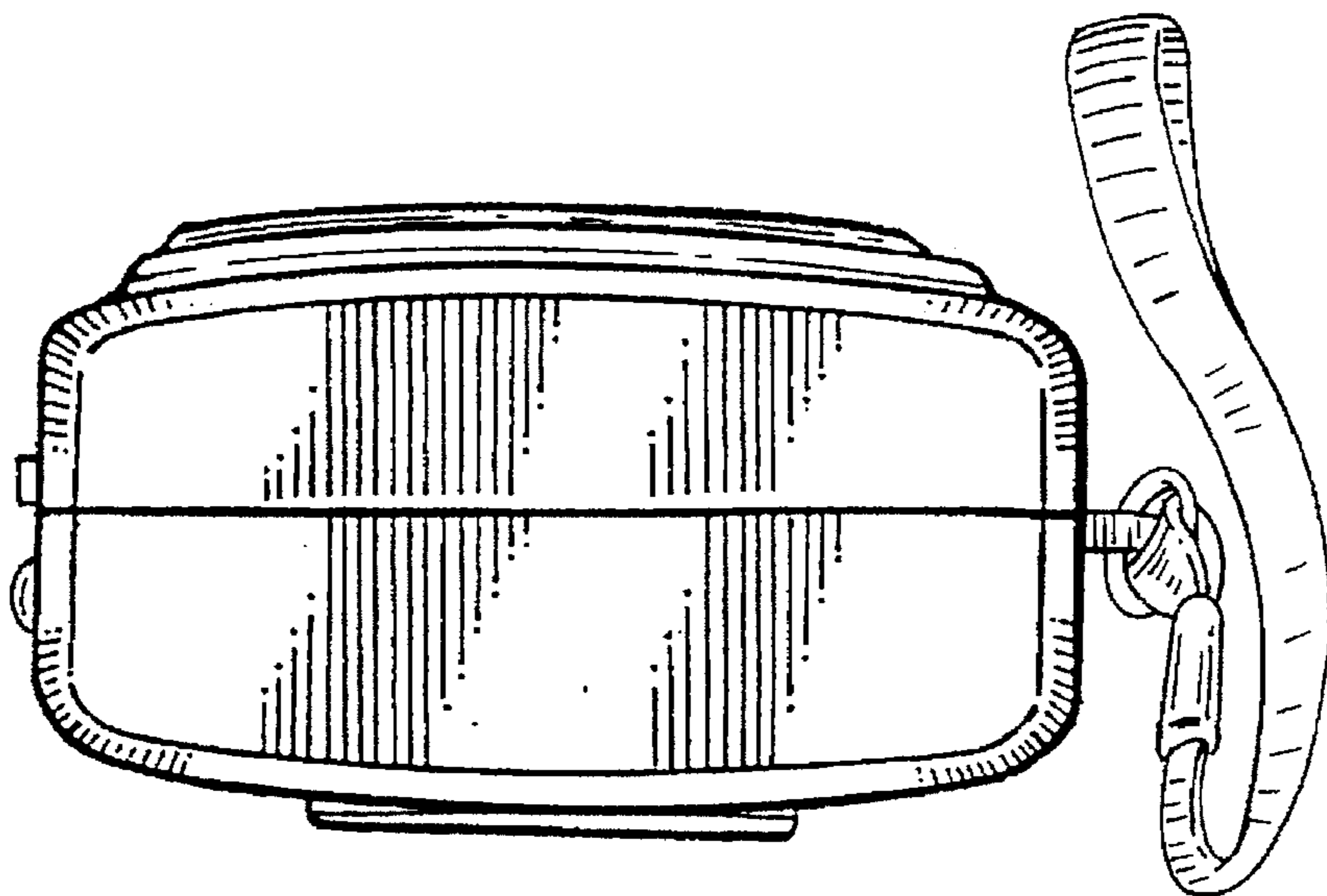
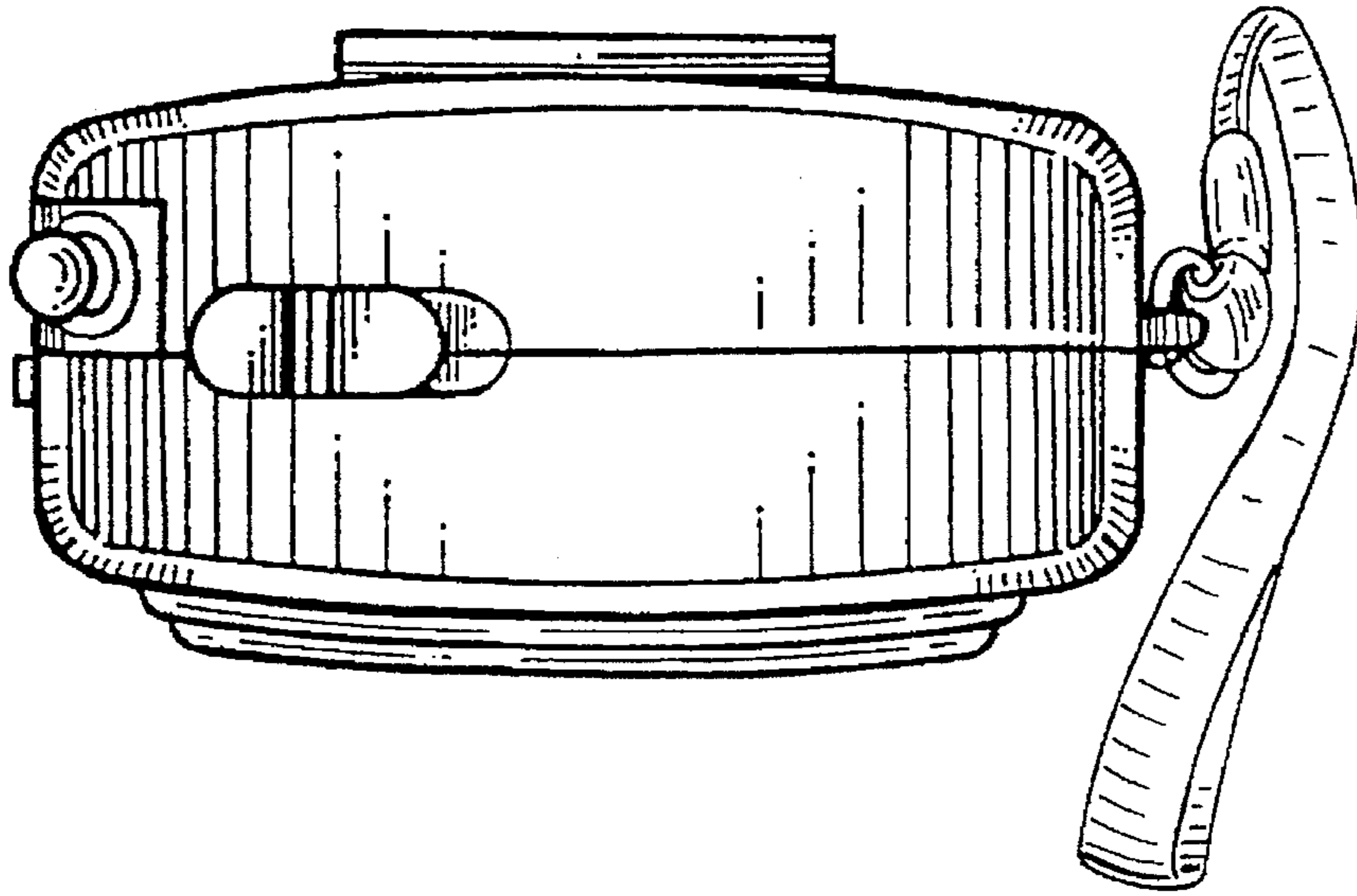


FIG. 4

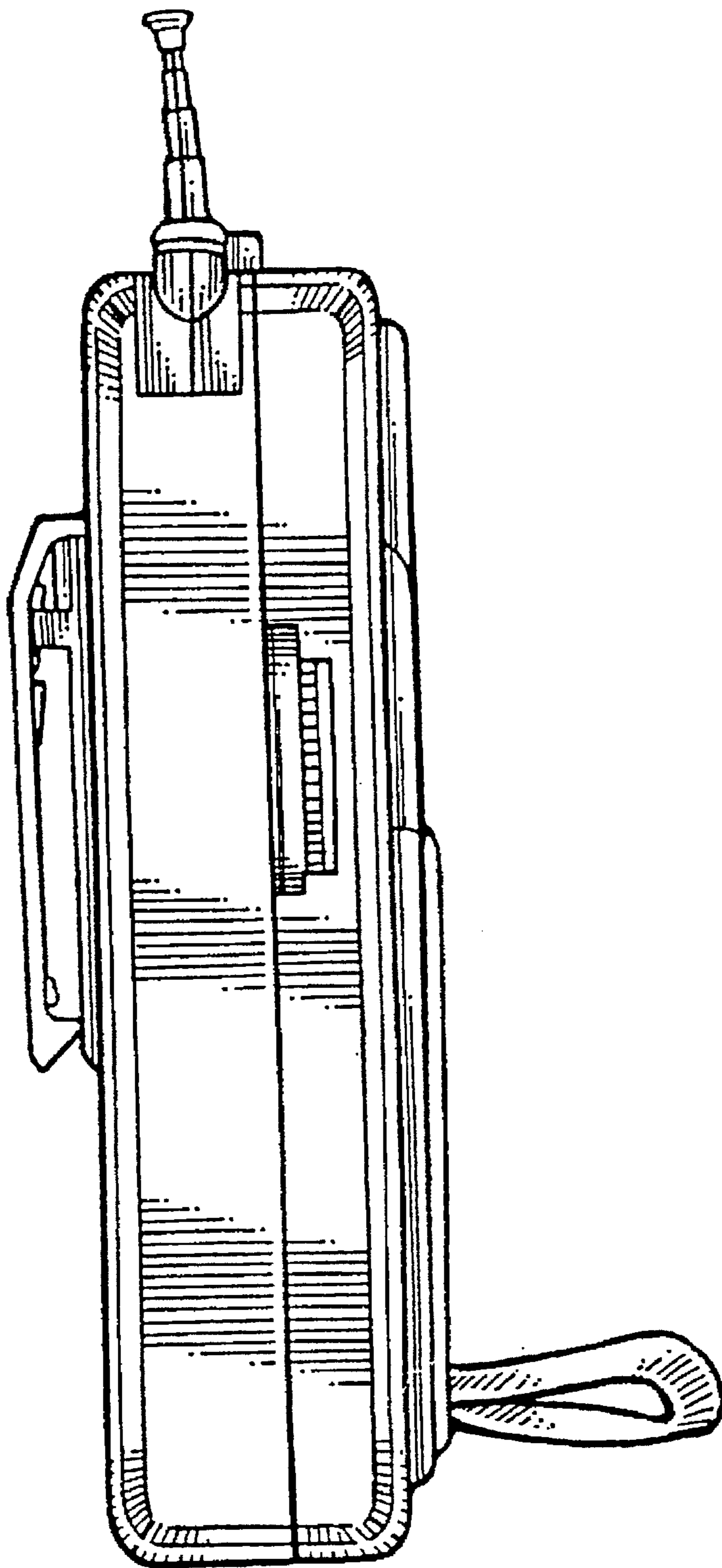


FIG. 5

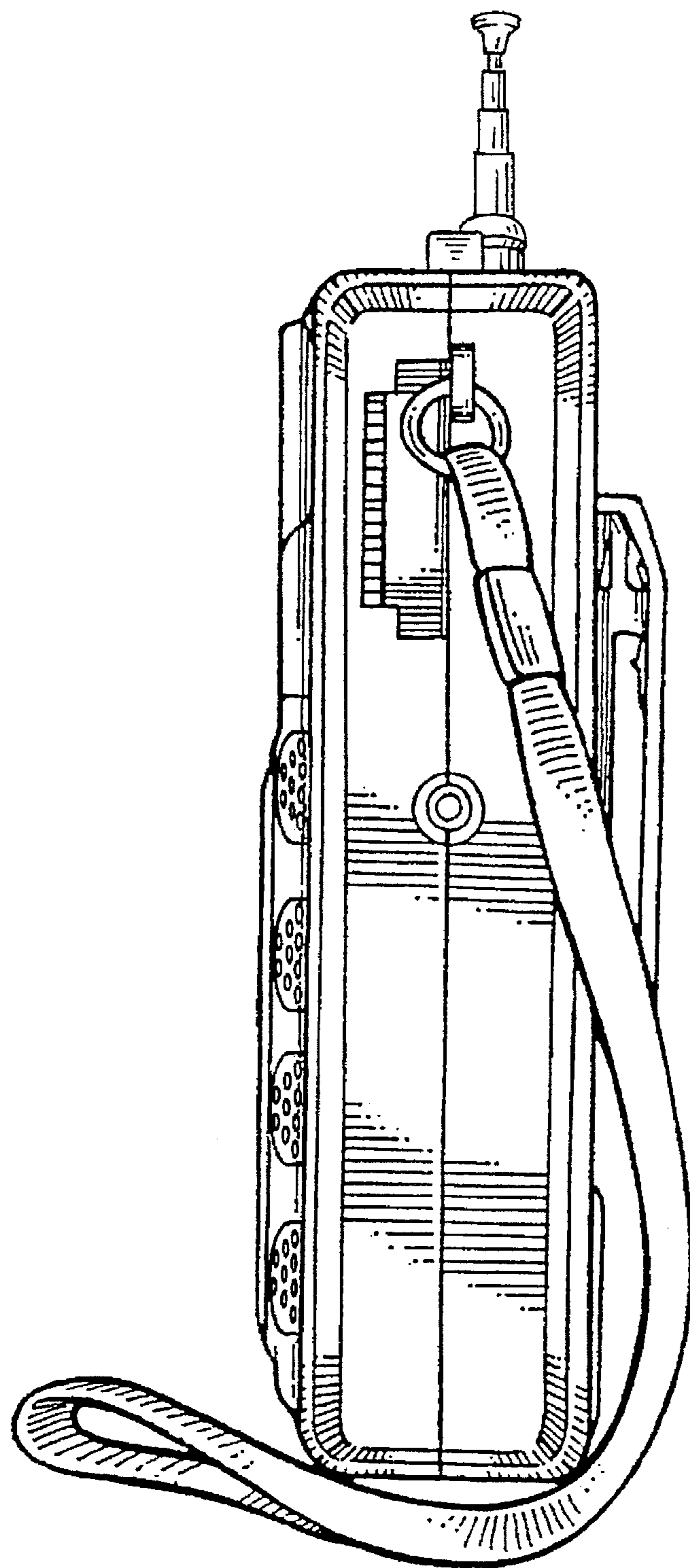


FIG. 6

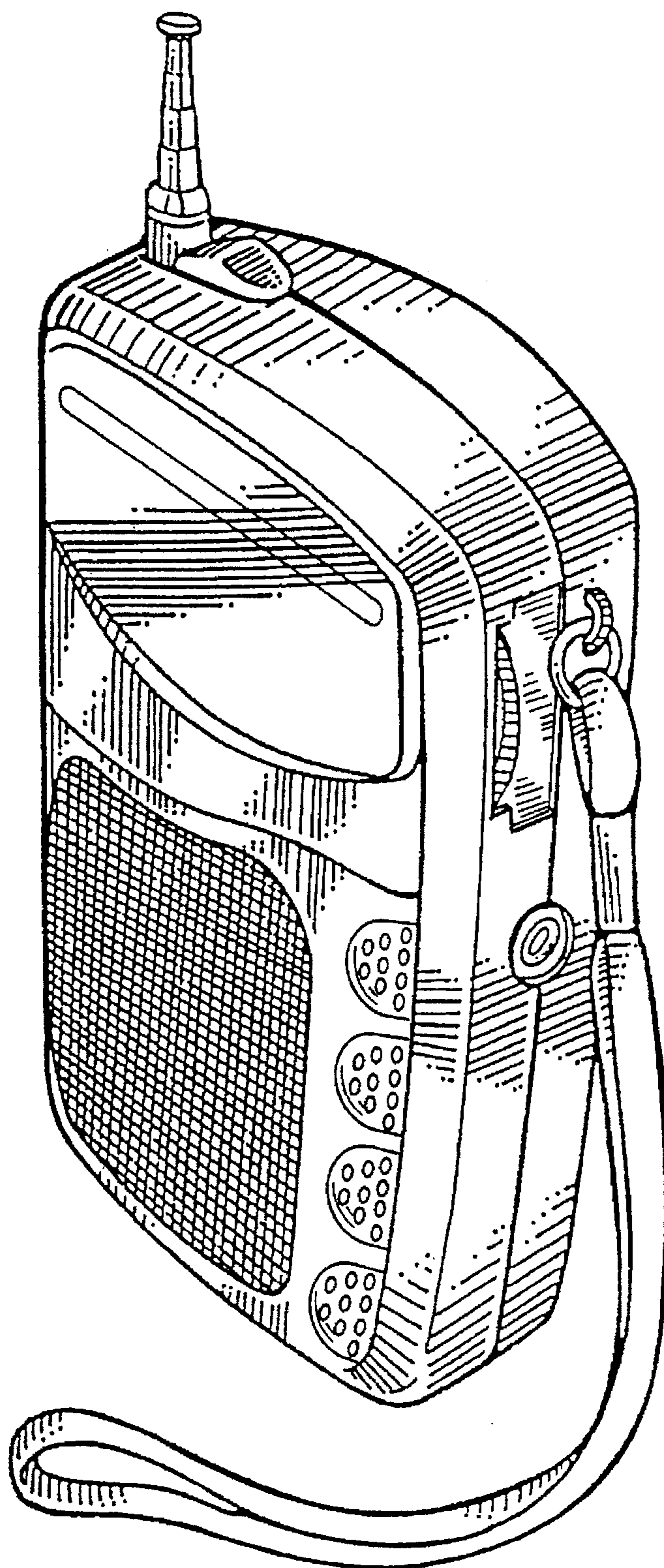


FIG. 7