



US00D380757S

United States Patent [19]
Mak

[11] **Patent Number: Des. 380,757**

[45] **Date of Patent: **Jul. 8, 1997**

[54] **CLOCK RADIO**

D. 371,363 7/1996 Tejima D14/193

[75] **Inventor: Ronnie Chi Wah Mak, Kowloon, Hong Kong**

Primary Examiner—Sandra L. Morris
Assistant Examiner—Nanda Bondade
Attorney, Agent, or Firm—Beveridge, DeGrandi, Weilacher & Young, L.L.P.

[73] **Assignee: Sanny Electronics Limited, Hung Hom, Hong Kong**

[**] **Term: 14 Years**

[57] **CLAIM**

The ornamental design for a clock radio, as shown and described.

[21] **Appl. No.: 54,453**

[22] **Filed: May 14, 1996**

DESCRIPTION

[51] **LOC (6) Cl. 14-01**

[52] **U.S. Cl. D14/171**

[58] **Field of Search D10/2, 15; D14/168, D14/170, 171, 188, 189, 193-198, 265, 299; 455/344, 347, 350, 357**

FIG. 1 is a front perspective view of a clock radio showing my new design;

FIG. 2 is a front perspective view with parts in alternative position;

FIG. 3 is a front view of FIG. 1;

FIG. 4 is a rear view thereof;

FIG. 5 is a left side view thereof;

FIG. 6 is a right side view thereof;

FIG. 7 is a top view thereof; and,

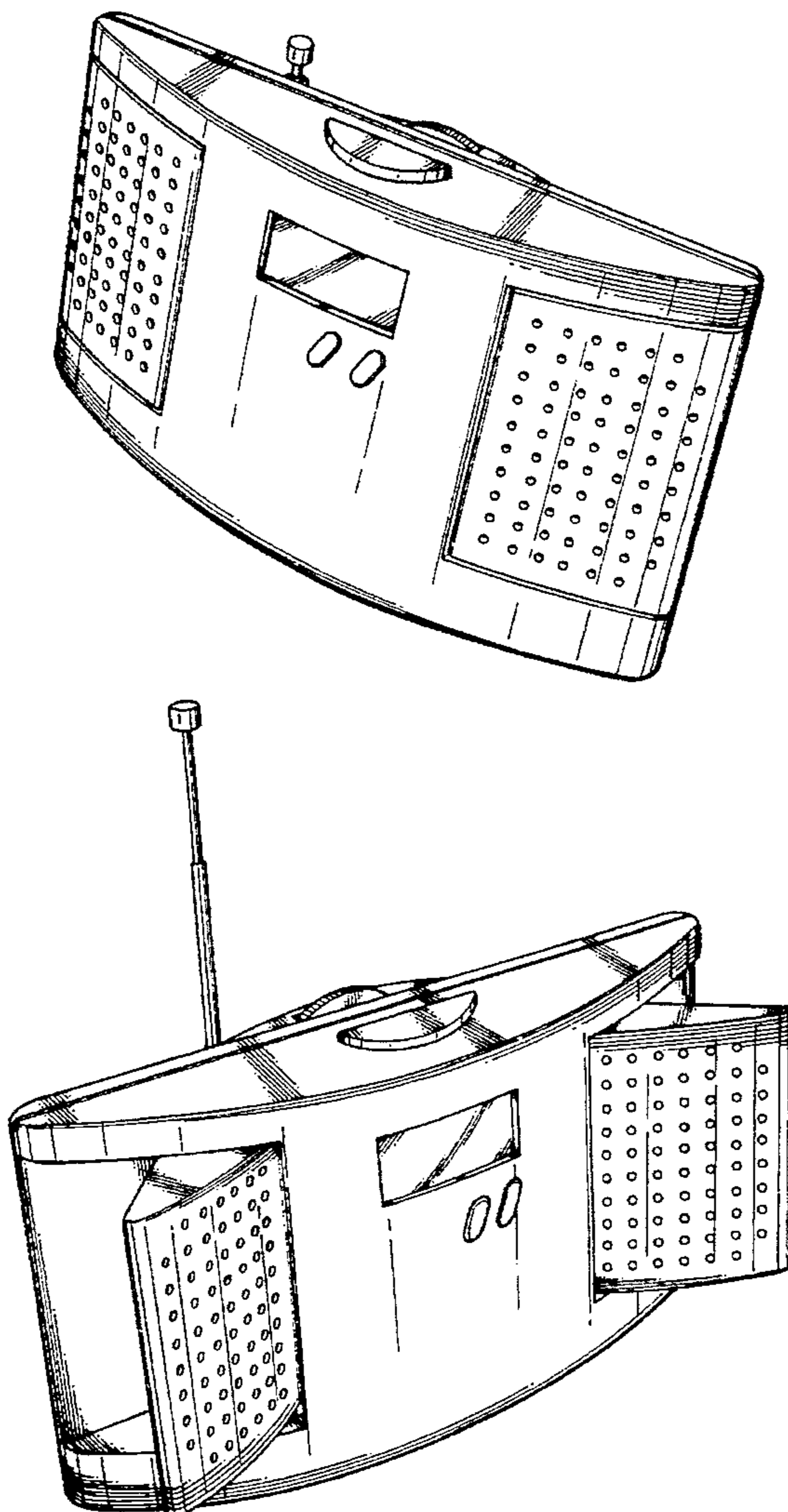
FIG. 8 is a bottom view thereof.

[56] **References Cited**

U.S. PATENT DOCUMENTS

- D. 220,658 5/1971 Hirayama et al. D14/193
- D. 278,535 4/1985 Sujanani D14/193
- D. 321,688 11/1991 Yung Pang D14/170

1 Claim, 5 Drawing Sheets



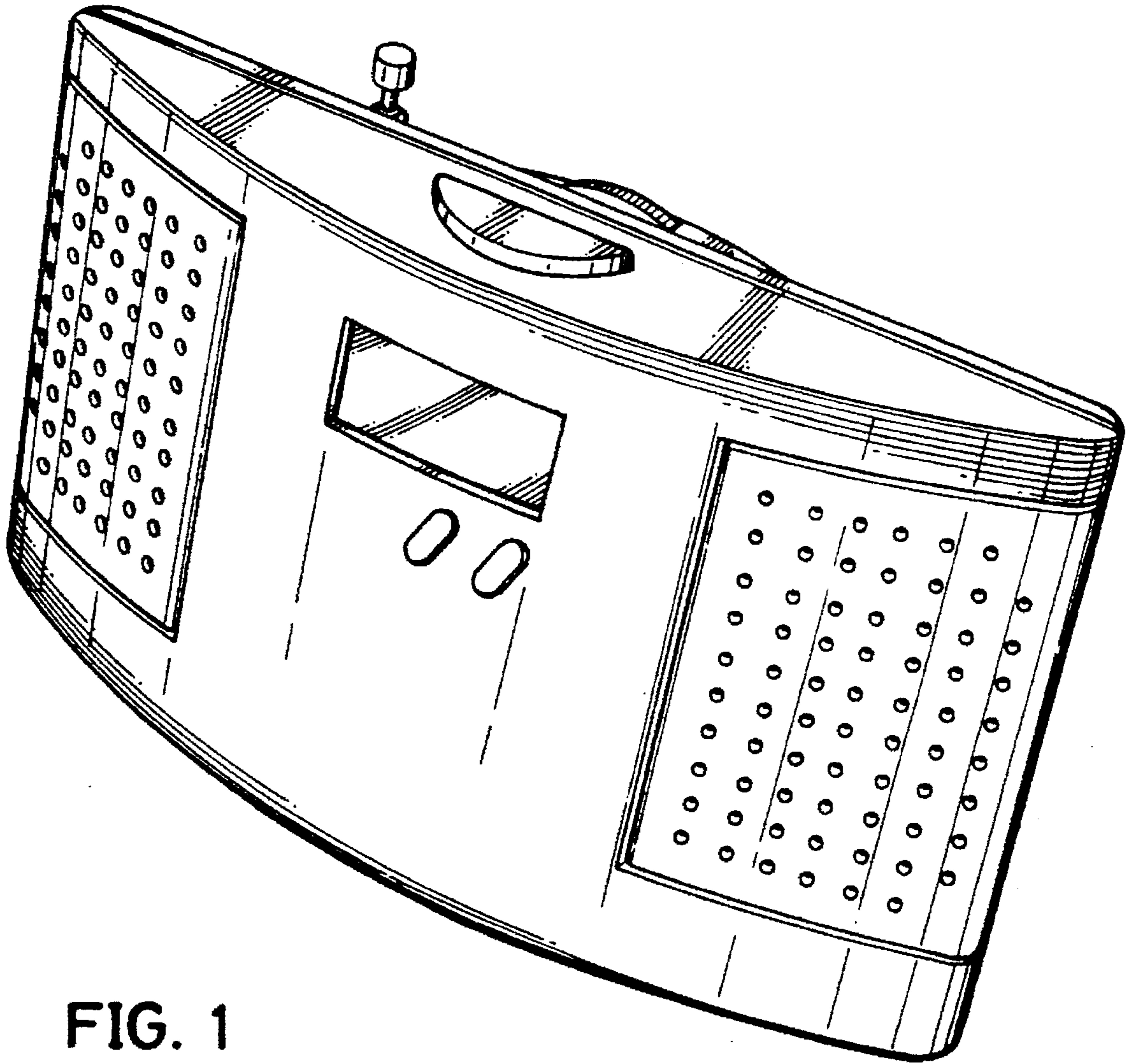


FIG. 1

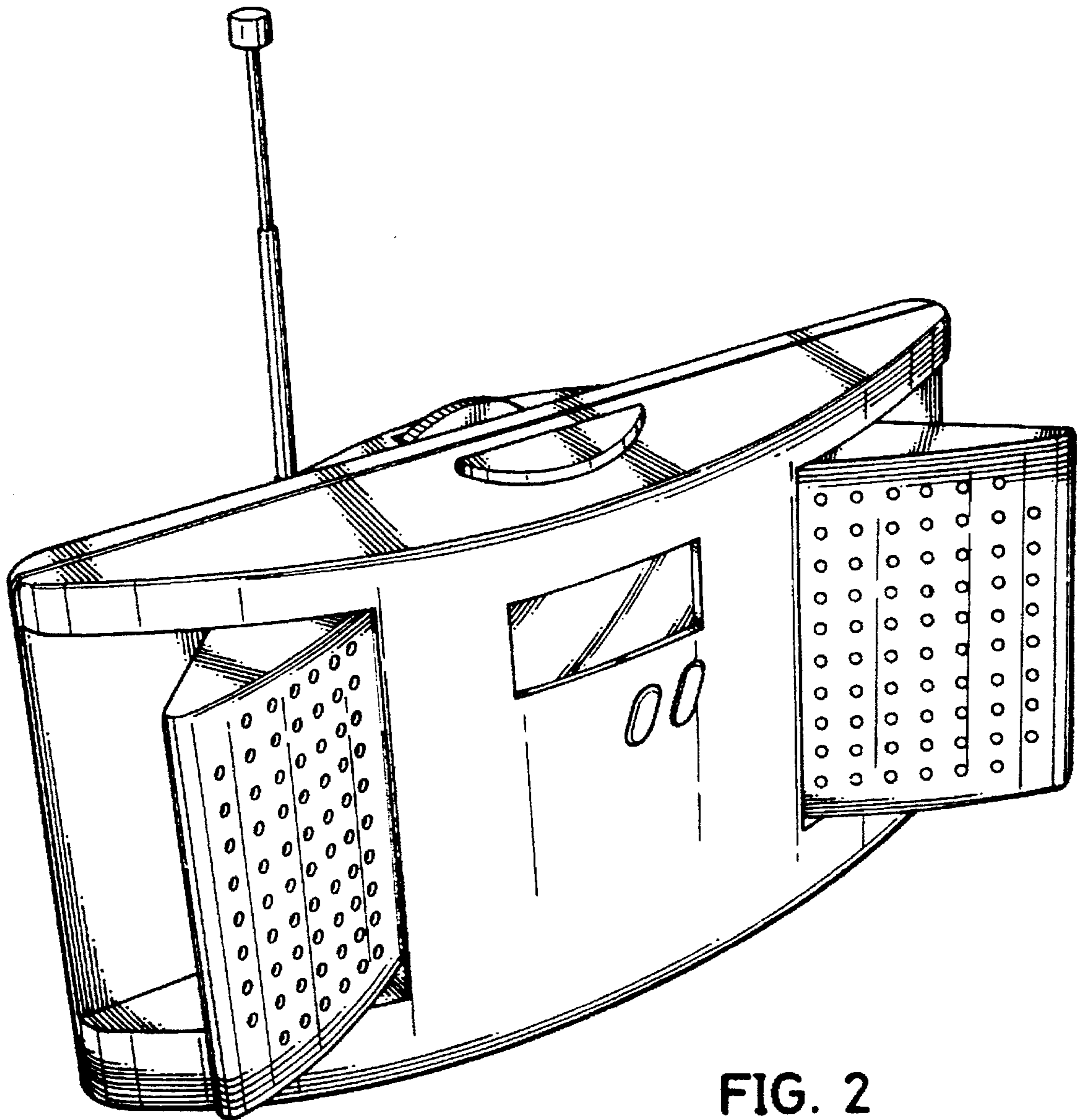


FIG. 2

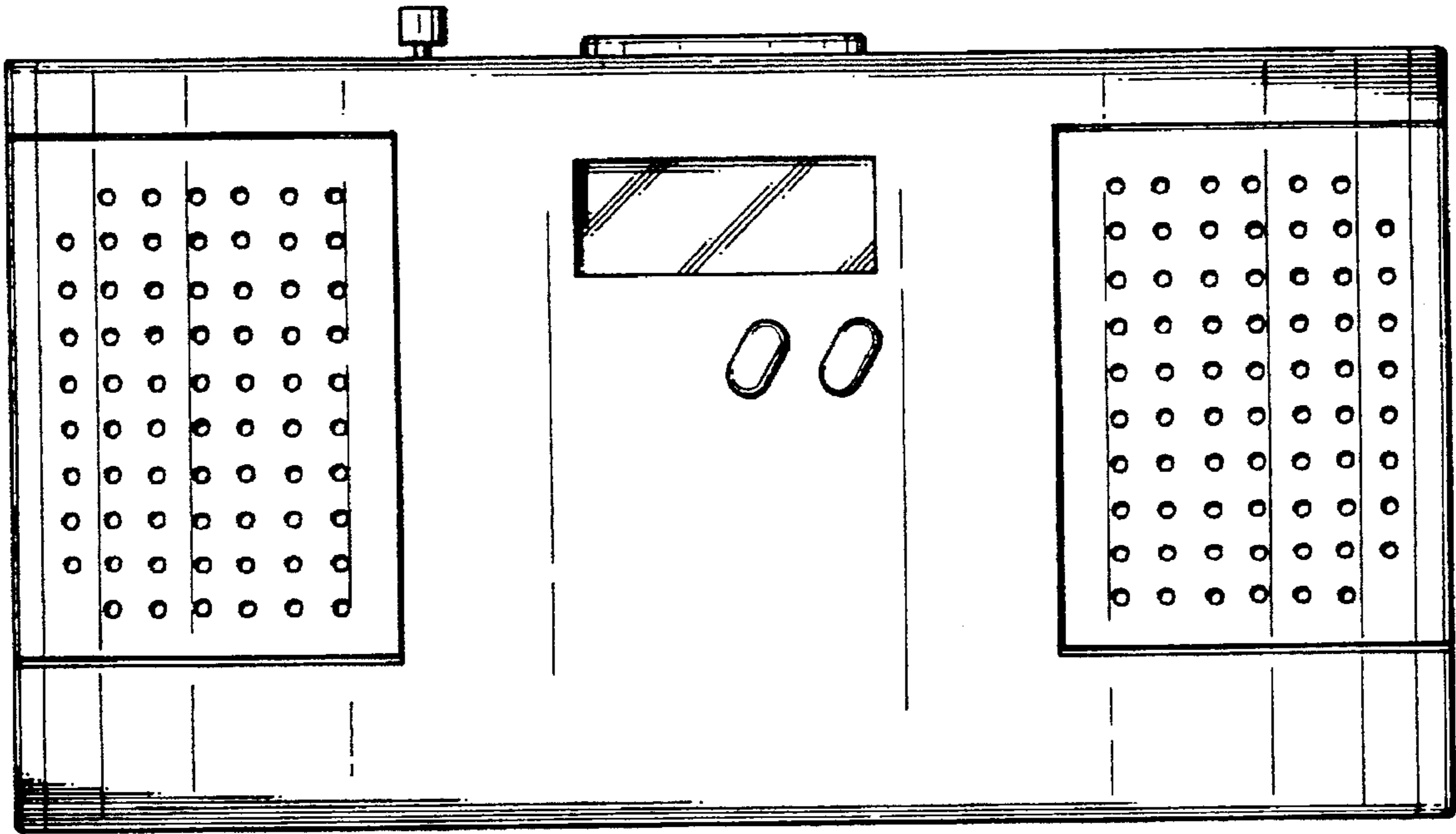


FIG. 3

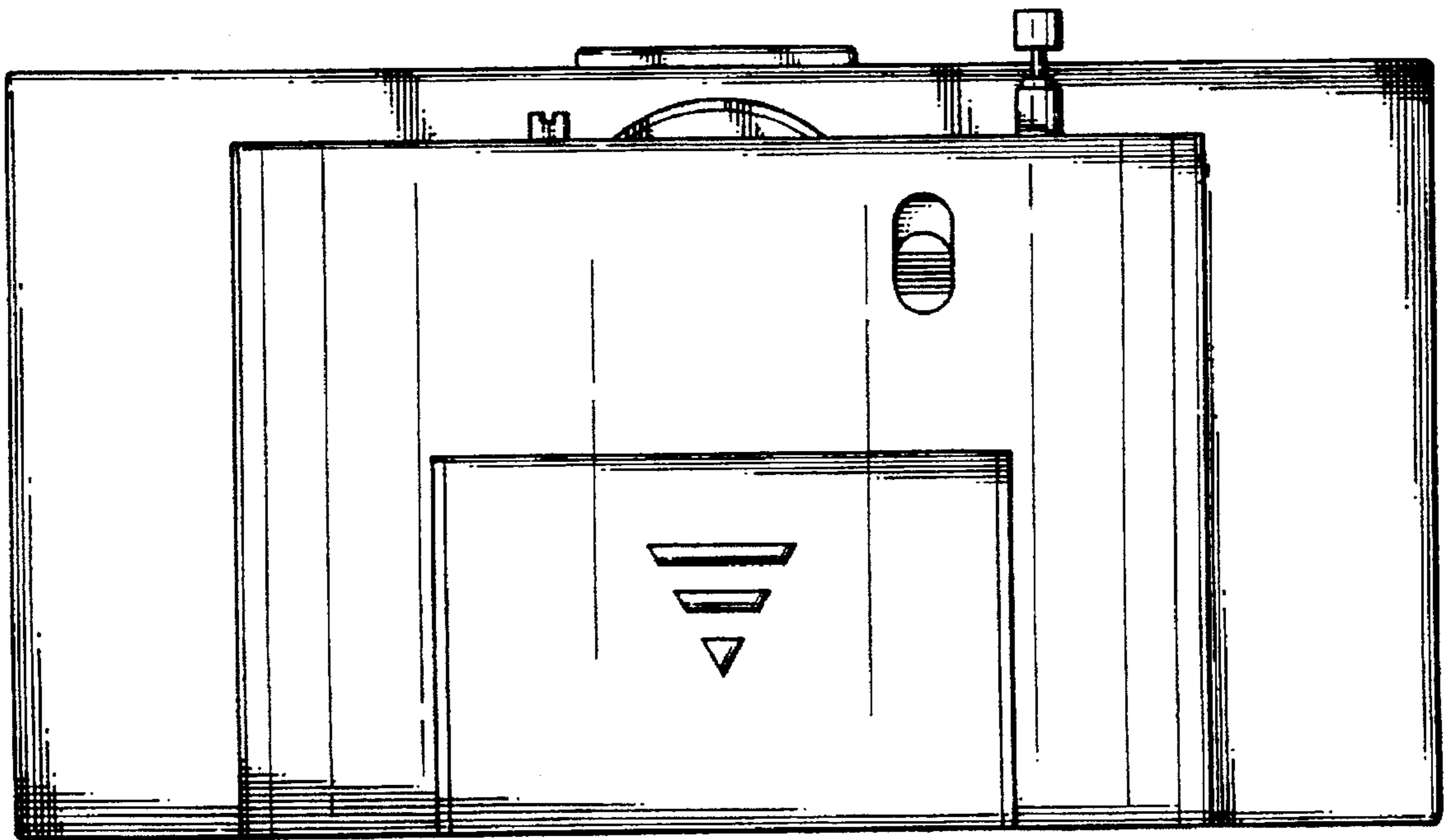


FIG. 4

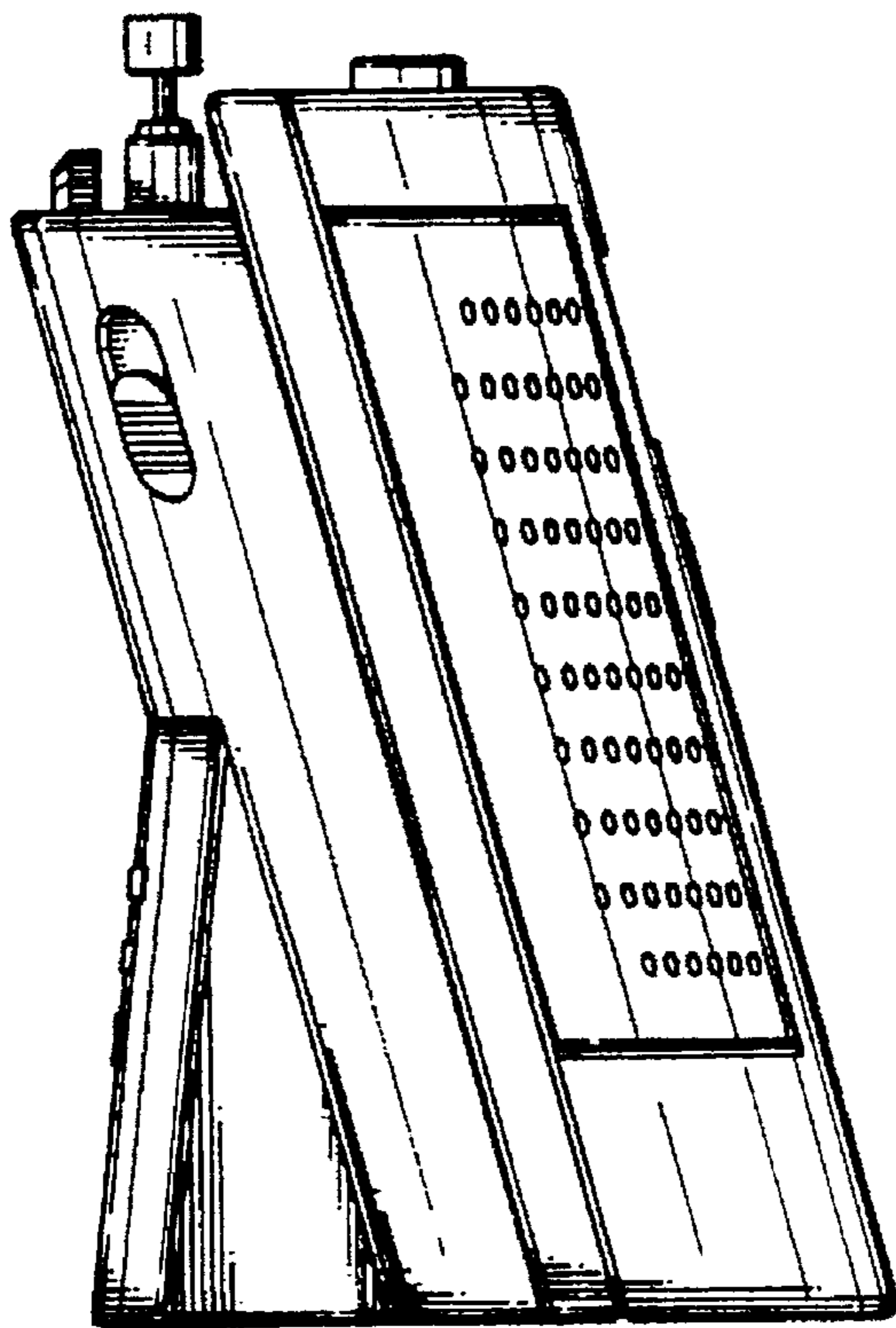


FIG. 5

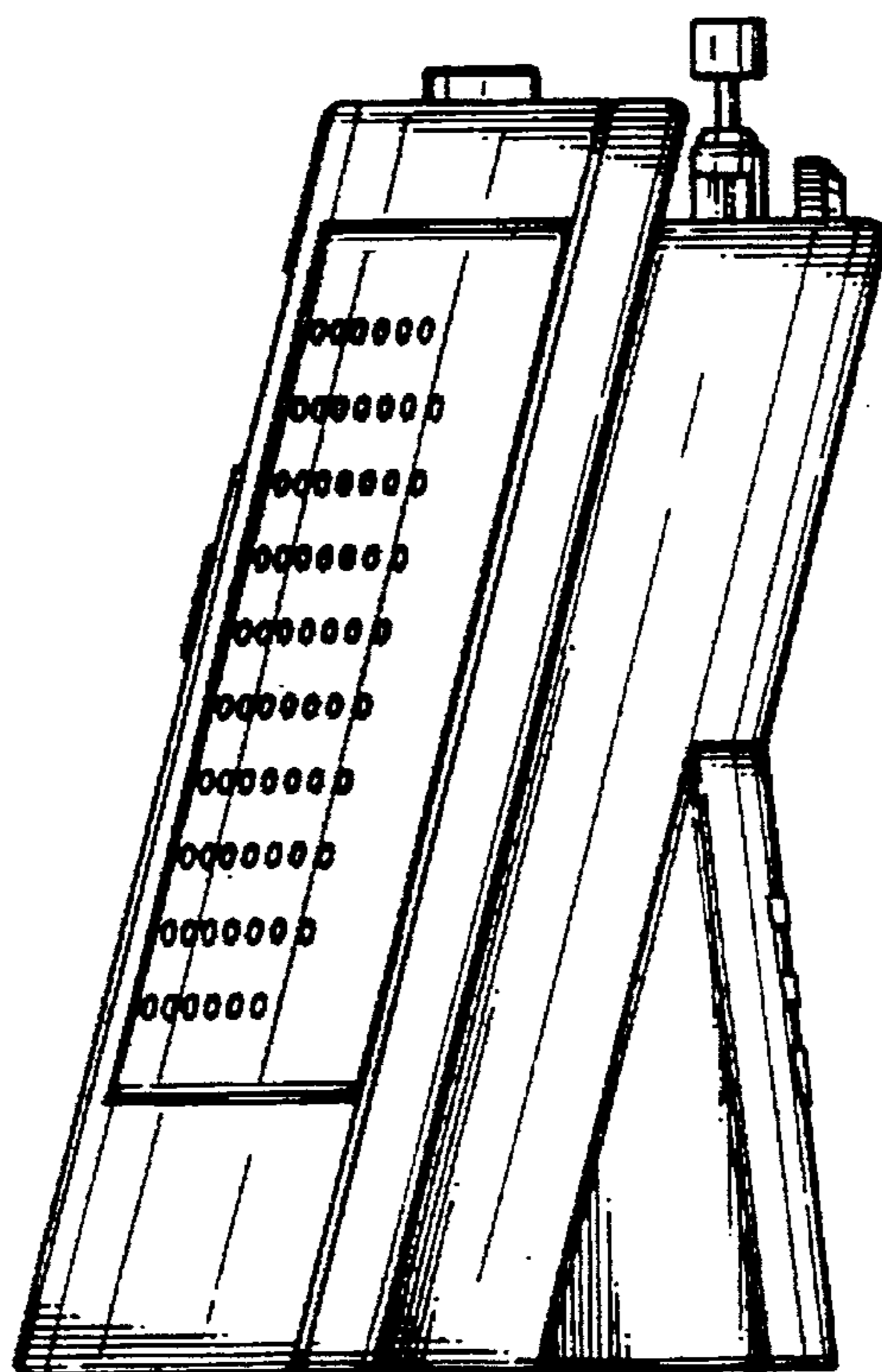


FIG. 6

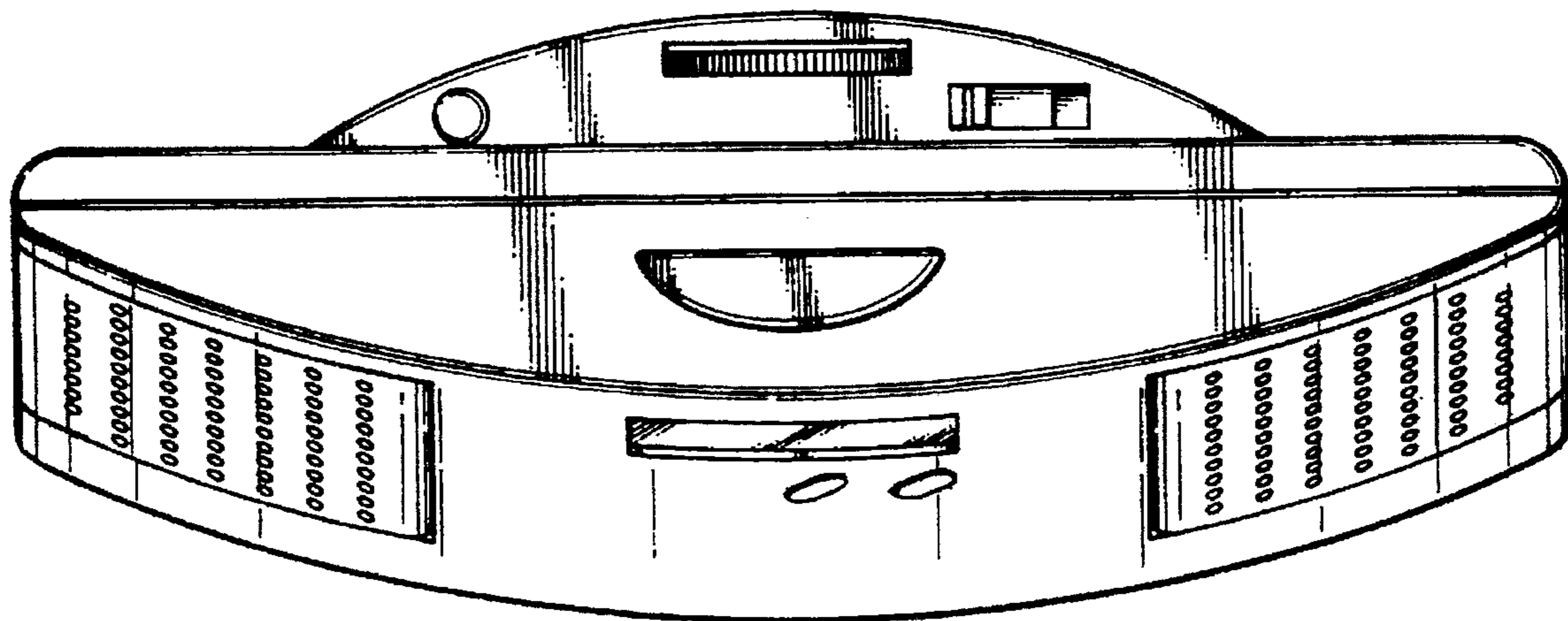


FIG. 7

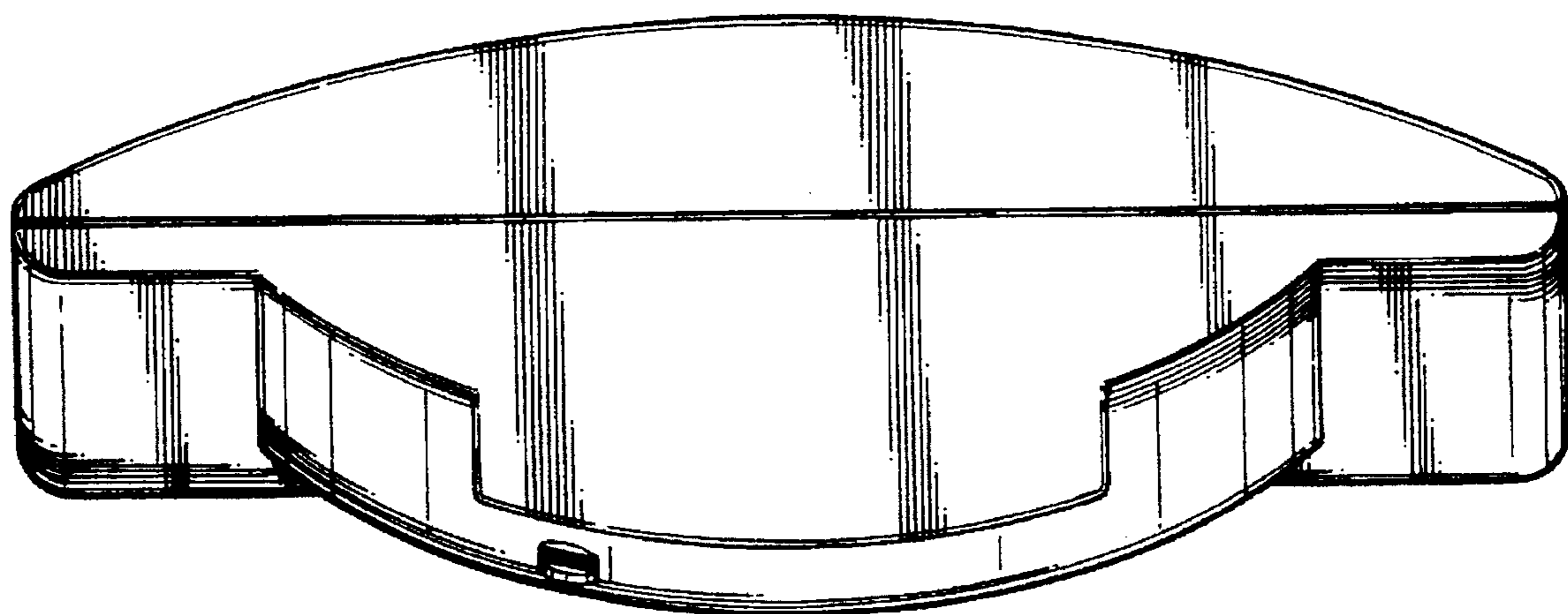


FIG. 8