



US00D380752S

United States Patent [19] Hanson

[11] Patent Number: **Des. 380,752**
[45] Date of Patent: ****Jul. 8, 1997**

[54] **COMBINED TELEPHONE AND REMOTE CONTROL**

D. 351,141 10/1994 Van Akkeren et al. D13/168
D. 351,384 10/1994 Anagarita D14/149

[76] Inventor: **Bruce D. Hanson**, 9175 55th Ave.,
NW, Kenmare, N. Dak. 58746

FOREIGN PATENT DOCUMENTS

3-62757 3/1991 Japan 379/433

[**] Term: **14 Years**

OTHER PUBLICATIONS

[21] Appl. No.: **55,014**

B.A. Pargh Spring/Summer 1992, p. 316, Toshiba Telephone at bottom left.

[22] Filed: **May 28, 1996**

Primary Examiner—Jeffrey Asch

[51] LOC (6) Cl. **14-03**

Attorney, Agent, or Firm—Harold H. Dutton, Jr.; W. Charles L. Jamison; Diane F. Liebman

[52] U.S. Cl. **D14/144; D12/168; D14/148; D14/218**

[57] CLAIM

[58] **Field of Search** D14/107, 114,
D14/218, 140, 142, 144, 138, 147, 148,
149, 240, 157, 100; D13/168; D21/13,
48; 379/419, 420, 428, 440, 433, 454, 455,
58-61; 455/89, 90, 151.1-151.4

The ornamental design for a combined telephone and remote control, as shown.

DESCRIPTION

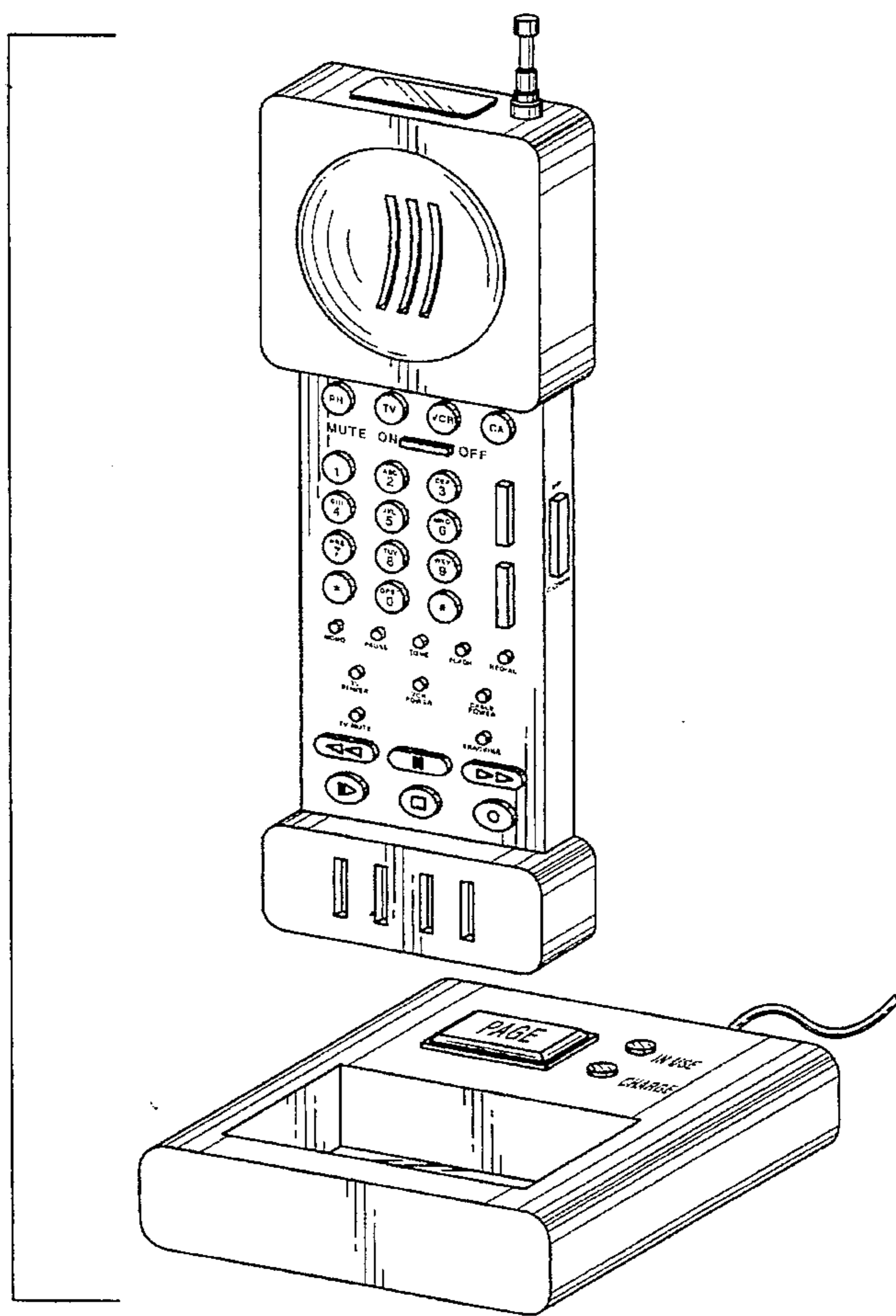
[56] References Cited

FIG. 1 is a perspective view of a combined telephone and remote control showing my new design;
FIG. 2 is a front view thereof;
FIG. 3 is a rear view thereof;
FIG. 4 is a left view thereof;
FIG. 5 is a right view thereof;
FIG. 6 is a top view thereof; and,
FIG. 7 is a bottom view thereof.

U.S. PATENT DOCUMENTS

D. 298,243 10/1988 Watanabe D14/138
D. 298,321 11/1988 Watanabe D14/138
D. 302,154 7/1989 Ohta et al. D14/138
D. 326,452 5/1992 Roegner D14/147 X
D. 327,060 6/1992 Wachob et al. D14/147 X
D. 335,494 5/1993 Roegner D14/138
D. 338,202 8/1993 Yuen et al. D14/218

1 Claim, 4 Drawing Sheets



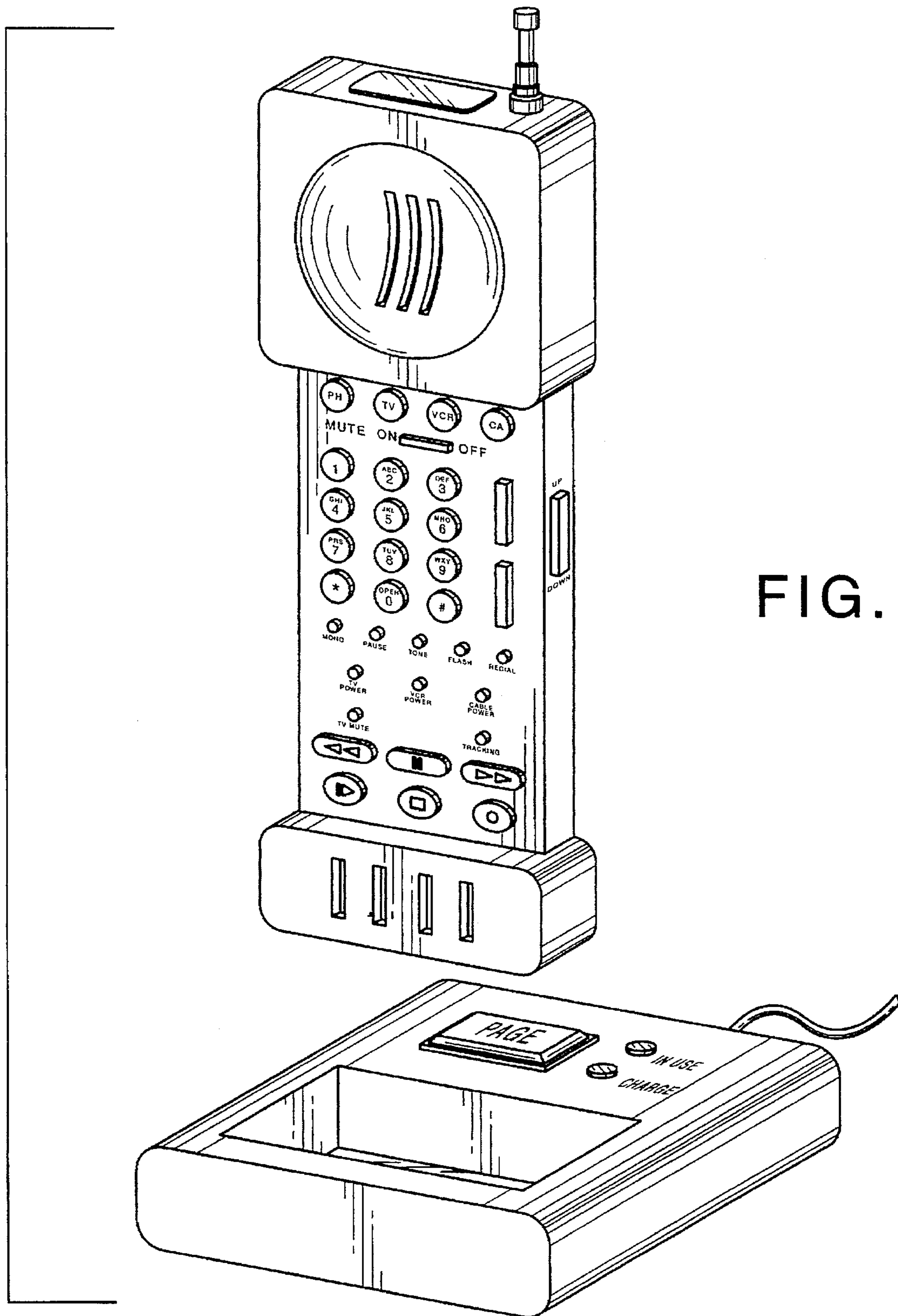


FIG. 1

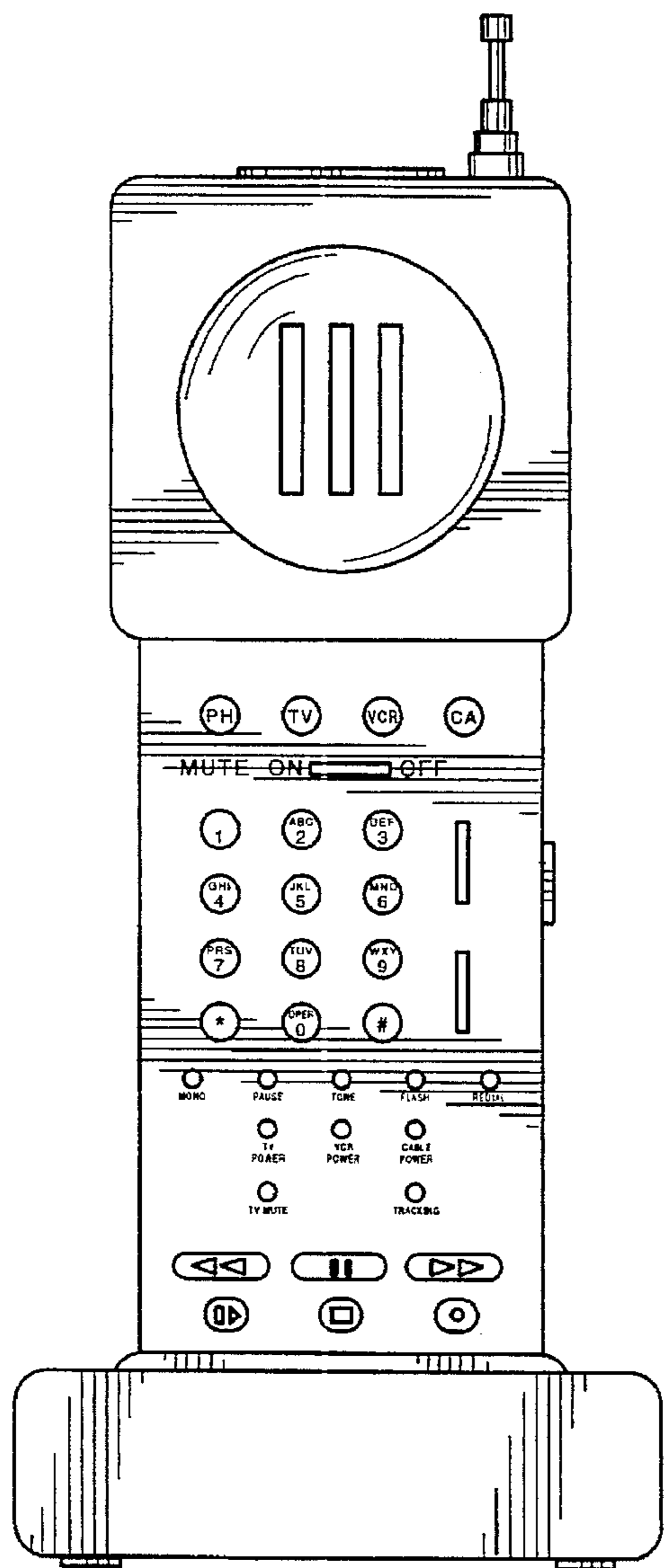


FIG. 2

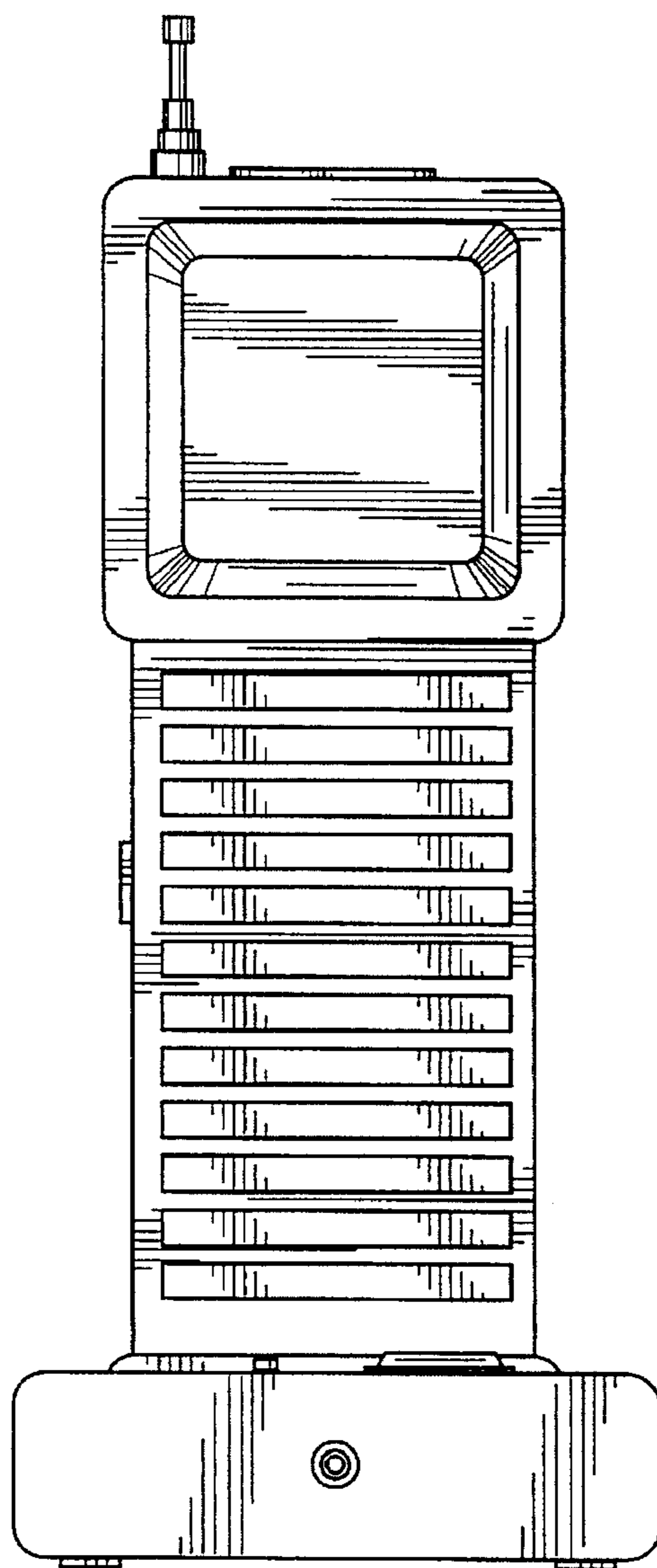


FIG. 3

FIG. 4

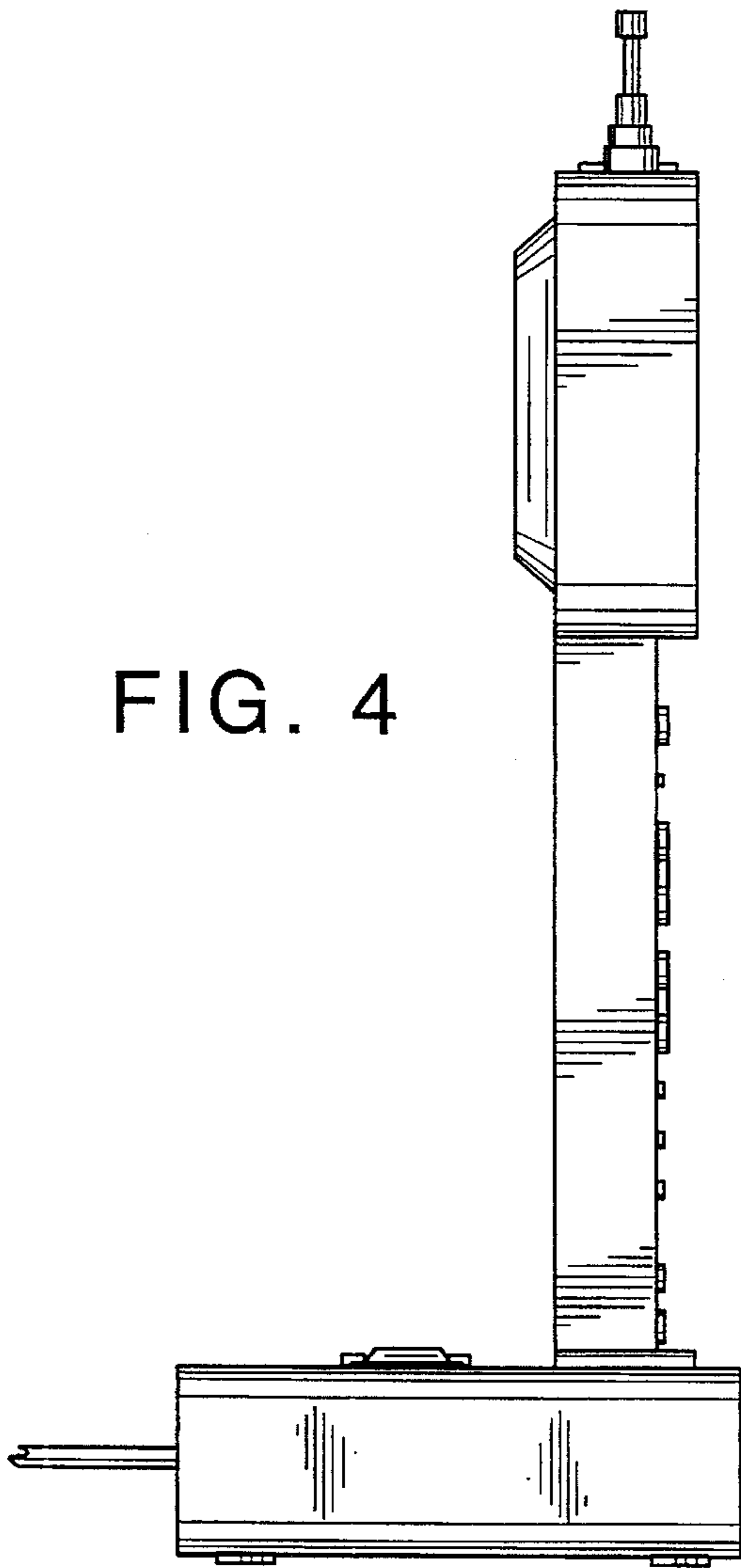
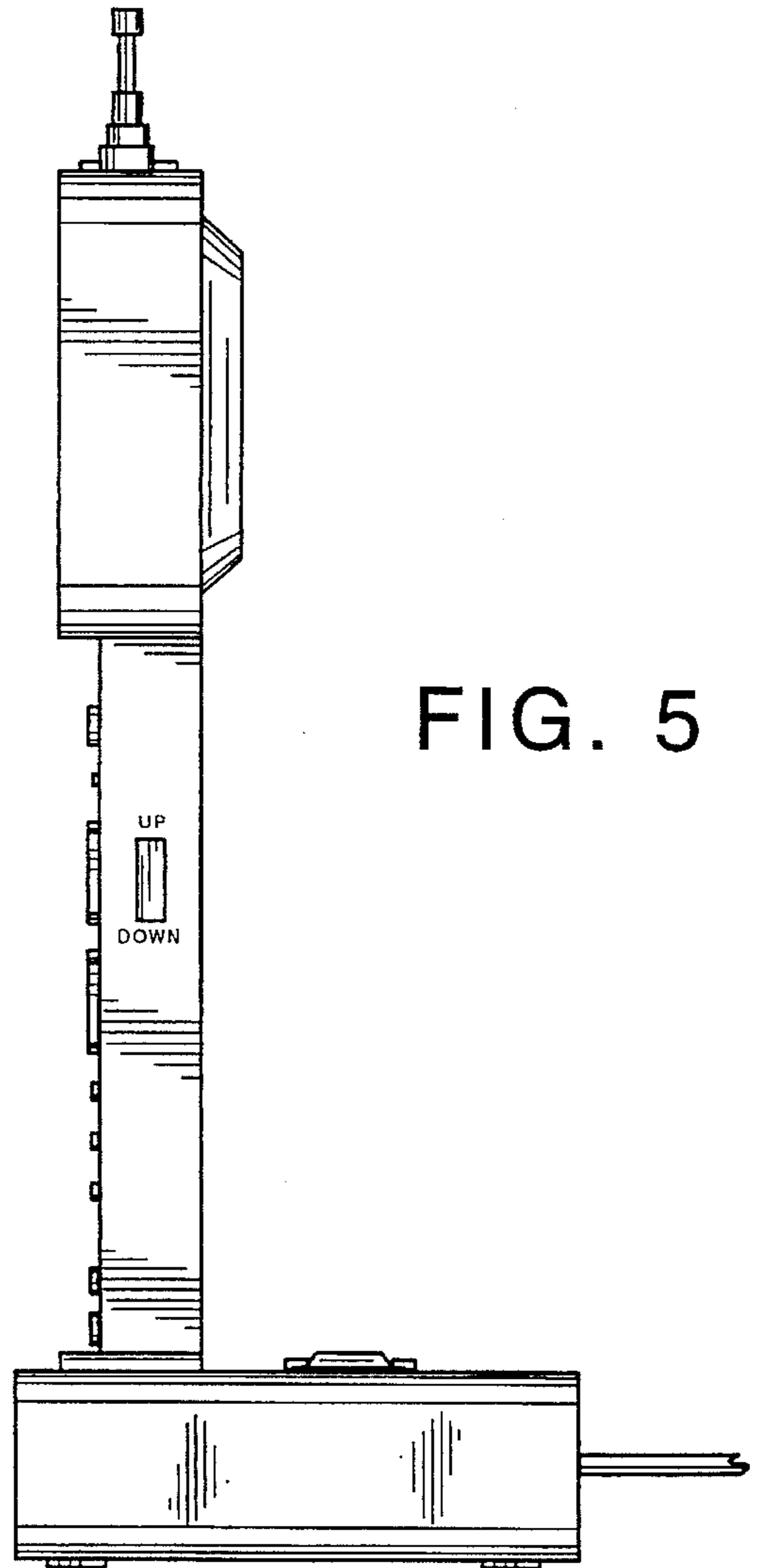


FIG. 5



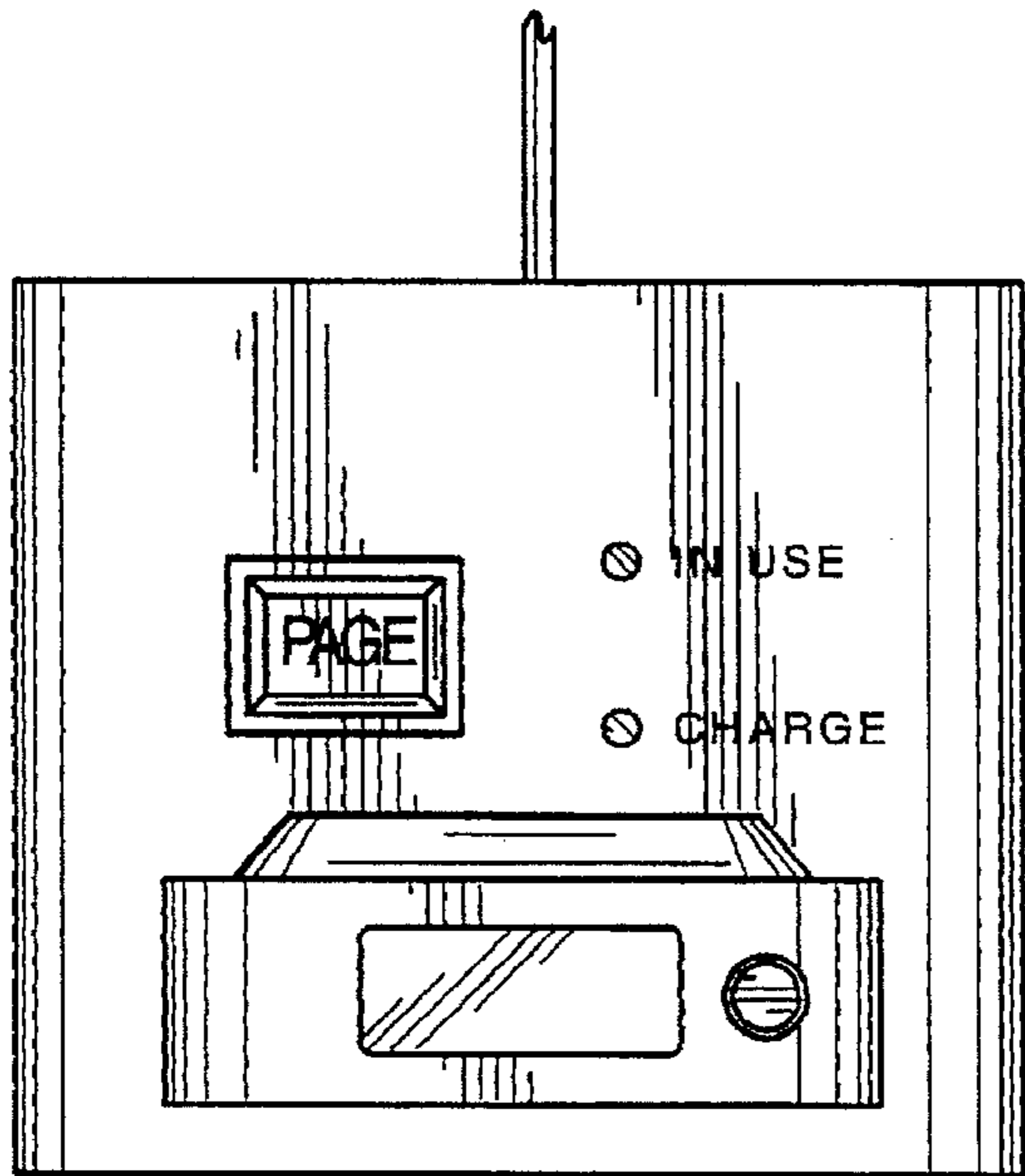


FIG. 6

FIG. 7

