



US00D380745S

United States Patent [19]

Bailey et al.

[11] Patent Number: **Des. 380,745**

[45] Date of Patent: ****Jul. 8, 1997**

[54] **WINDOW AND LABEL AREA OF A TOP SURFACE FOR A VIDEOCASSETTE**

[75] Inventors: **John A. Bailey**, Woodbury; **Glenn A. Bloomer**, Maplewood, both of Minn.; **Nicholas A. Brawne**, Columbus, Ohio

[73] Assignee: **Minnesota Mining and Manufacturing Company**, St. Paul, Minn.

[**] Term: **14 Years**

[21] Appl. No.: **20,915**

[22] Filed: **Apr. 5, 1994**

[51] LOC (6) Cl. **14-99**

[52] U.S. Cl. **D14/121**

[58] Field of Search D14/120-123, D14/299; 206/387.1, 387.12, 387.13, 387.14, 387.15; 242/342-345, 345.1, 345.2, 345.3, 346, 346.2; 360/132

[56] **References Cited**

U.S. PATENT DOCUMENTS

D. 266,419 10/1982 Hashimoto et al. D14/121

D. 351,379 10/1994 Suzuki D14/121
4,501,396 2/1985 Tomsyck et al. 242/199
4,754,357 6/1988 Nelson 360/132
4,858,848 8/1989 Katoku et al. 242/346.2 X
4,911,298 3/1990 Miyagawa et al. 206/387.1

Primary Examiner—Ted Shooman
Assistant Examiner—Nanda Bondade
Attorney, Agent, or Firm—Gary L. Griswold; Walter N. Kirn; Charles D. Levine

[57] **CLAIM**

The ornamental design for a window and label area of a top surface for a videocassette, as shown and described.

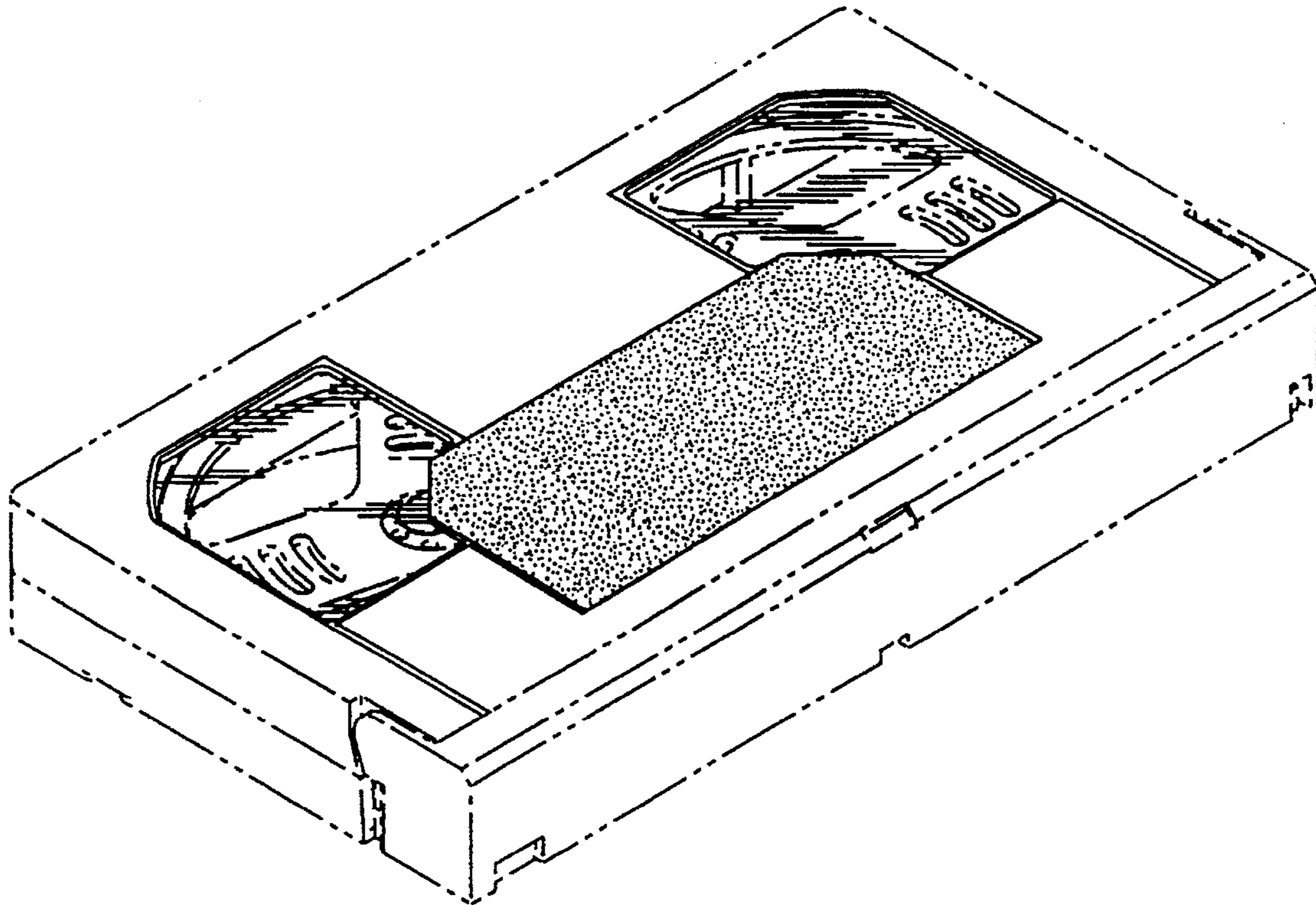
DESCRIPTION

FIG. 1 is a perspective view of a window and label area of a top surface for a videocassette showing our new design; and,

FIG. 2 is a top plan view thereof.

The broken line showing of the videocassette and tape reel is for illustrative purposes only and forms no part of the claimed design.

1 Claim, 1 Drawing Sheet



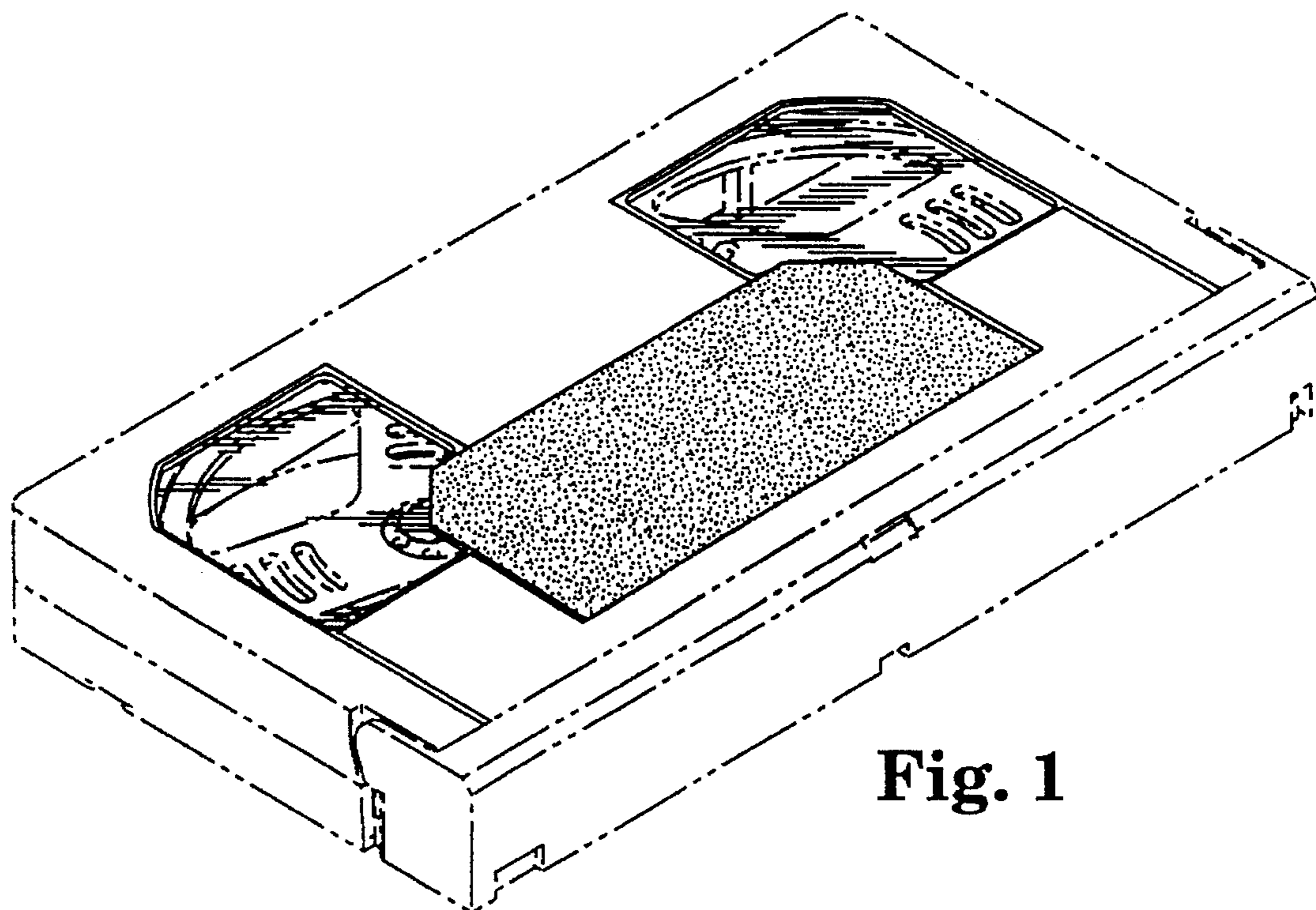


Fig. 1

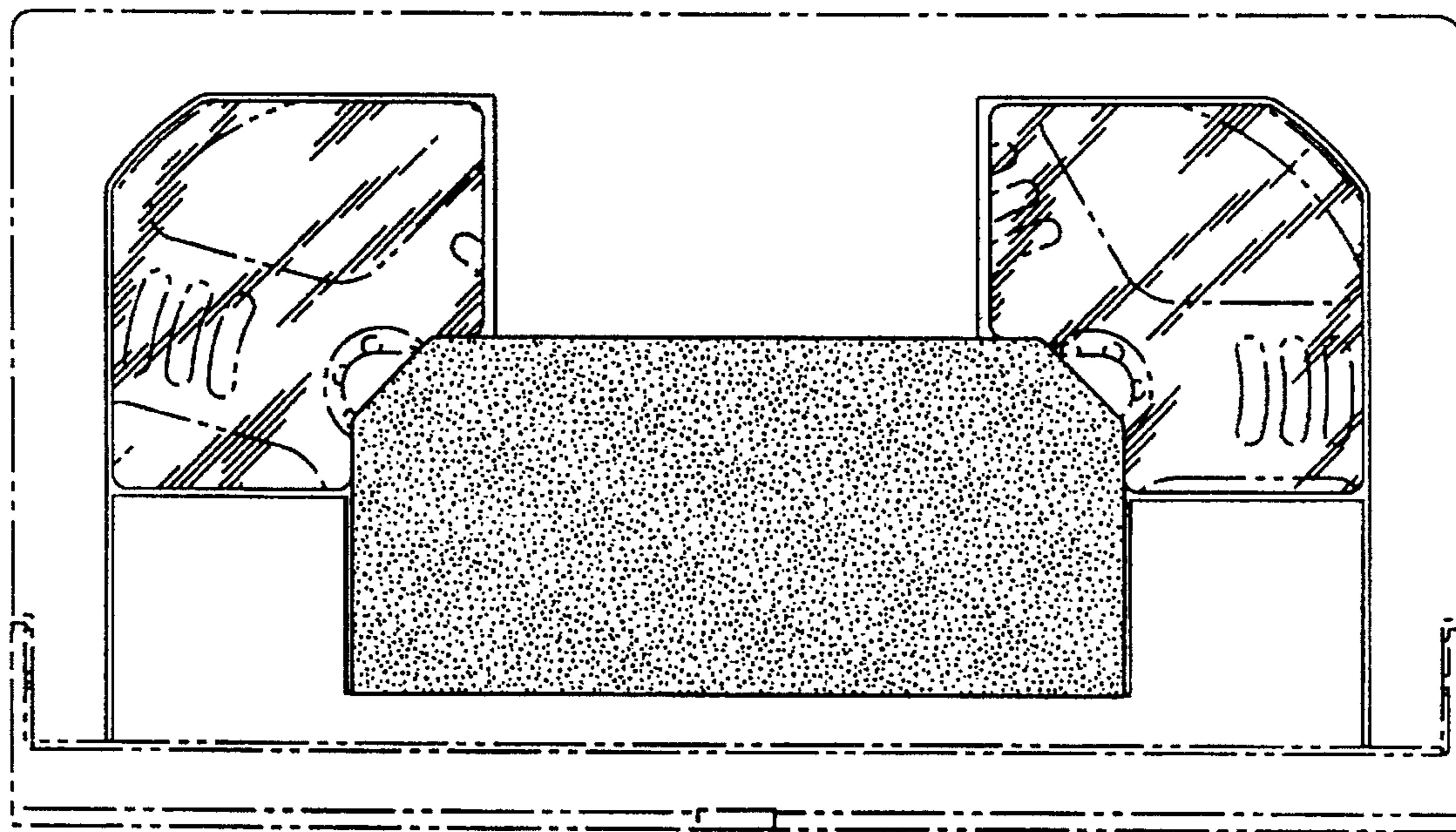


Fig. 2