



US00D380741S

United States Patent [19]

[11] Patent Number: **Des. 380,741**

Hill et al.

[45] Date of Patent: ****Jul. 8, 1997**

[54] **SIDECAR UNIT FOR A DATA PROCESSING SYSTEM**

D. 350,339	9/1994	Carroll et al.	D14/107
D. 366,249	1/1996	Hill et al.	D14/100
D. 366,648	1/1996	Hill et al.	D14/100
D. 366,651	1/1996	Hill et al.	D14/107

[75] Inventors: **David Wayne Hill; Tim Kerry Murphy**, both of Rochester, Minn.

Primary Examiner—Freda Nunn
Attorney, Agent, or Firm—Matthew J. Bussan

[73] Assignee: **International Business Machines Corporation**, Armonk, N.Y.

[57] **CLAIM**

[**] Term: **14 Years**

The ornamental design for a sidecar unit for a data processing system, as shown and described.

[21] Appl. No.: **38,241**

DESCRIPTION

[22] Filed: **May 1, 1995**

FIG. 1 is a top front isometric view of a sidecar unit for a data processing system showing our new design;
 FIG. 2 is a front elevational view thereof;
 FIG. 3 is a left side elevational view thereof;
 FIG. 4 is a top plan view thereof; and,
 FIG. 5 is a rear elevational view thereof.
 The bottom view is unornamented except for the inclusion of casters and the sidecar unit is intended for mounting on the left side of a data processing system which is shown in broken lines in the figures for illustrative purposes only and forms no part of the claimed design.

[51] LOC (6) Cl. **14-02**

[52] U.S. Cl. **D14/107**

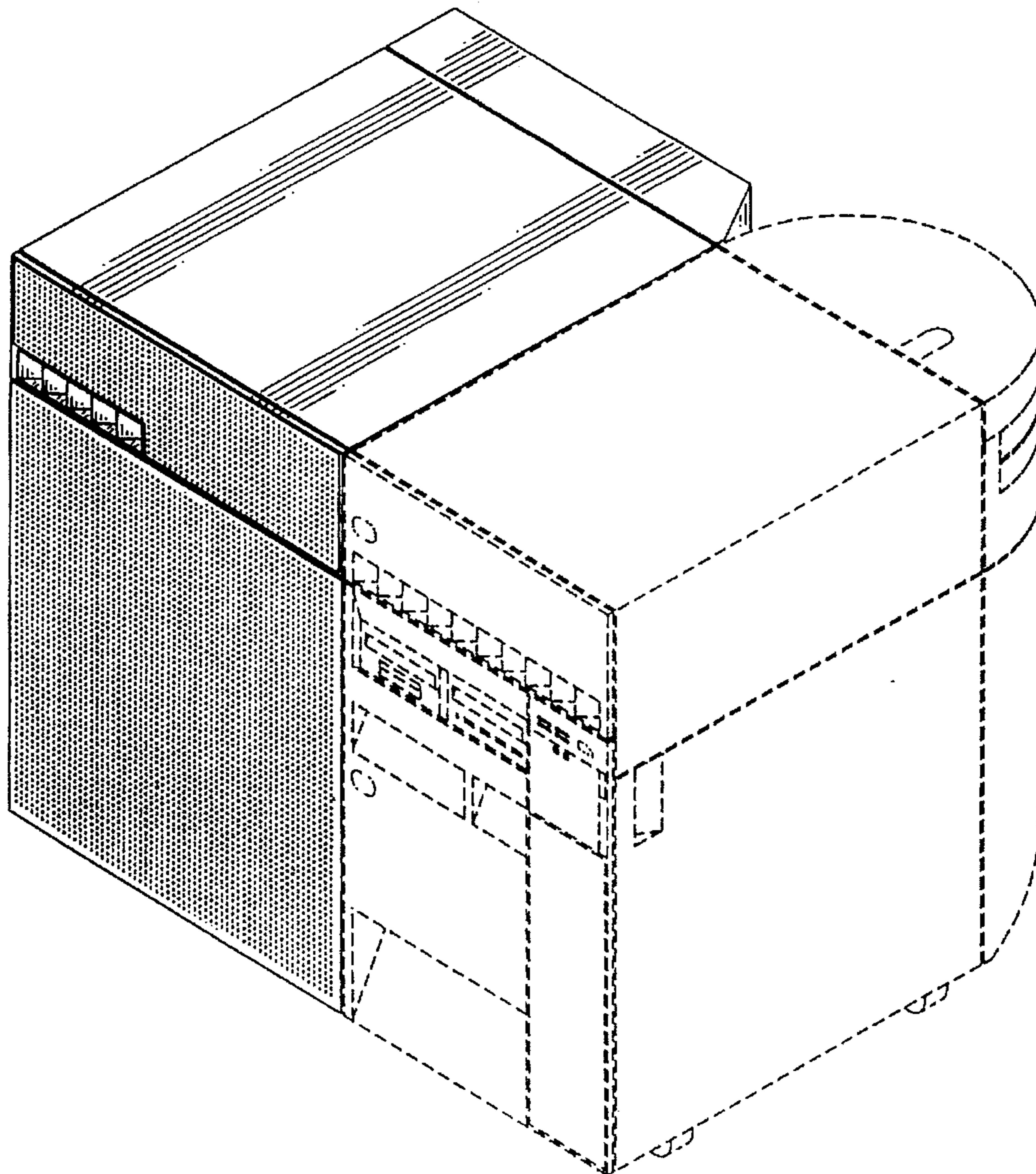
[58] **Field of Search** D14/100, 102, D14/107-109; D13/162, 184, 199; D6/432, 436, 445, 448; 312/208.1; 360/97.01, 97.04, 98.01; 361/694, 696; 369/34, 36

[56] **References Cited**

U.S. PATENT DOCUMENTS

D. 341,827 11/1993 Lai et al. D14/107

1 Claim, 5 Drawing Sheets



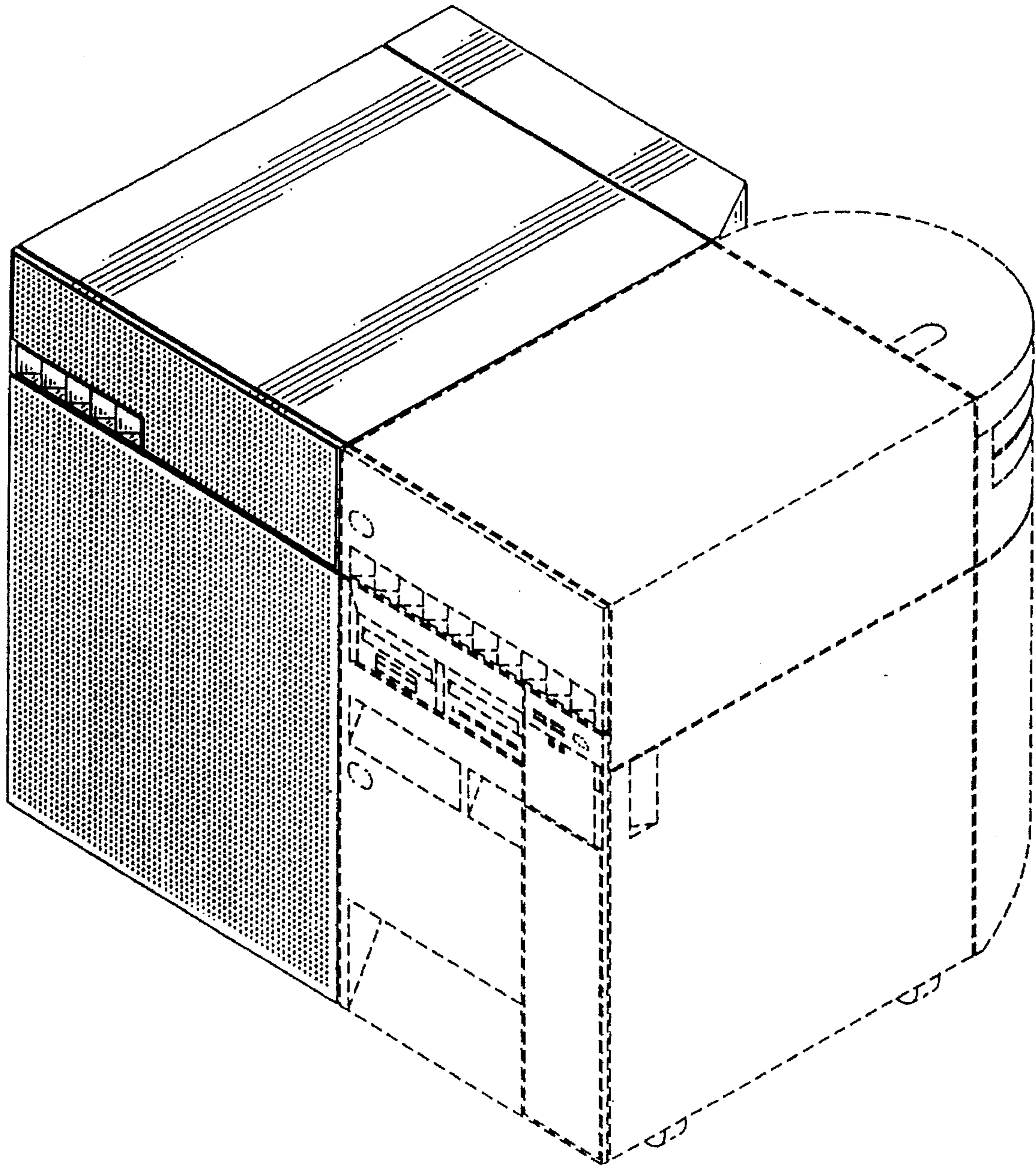


FIG. 1

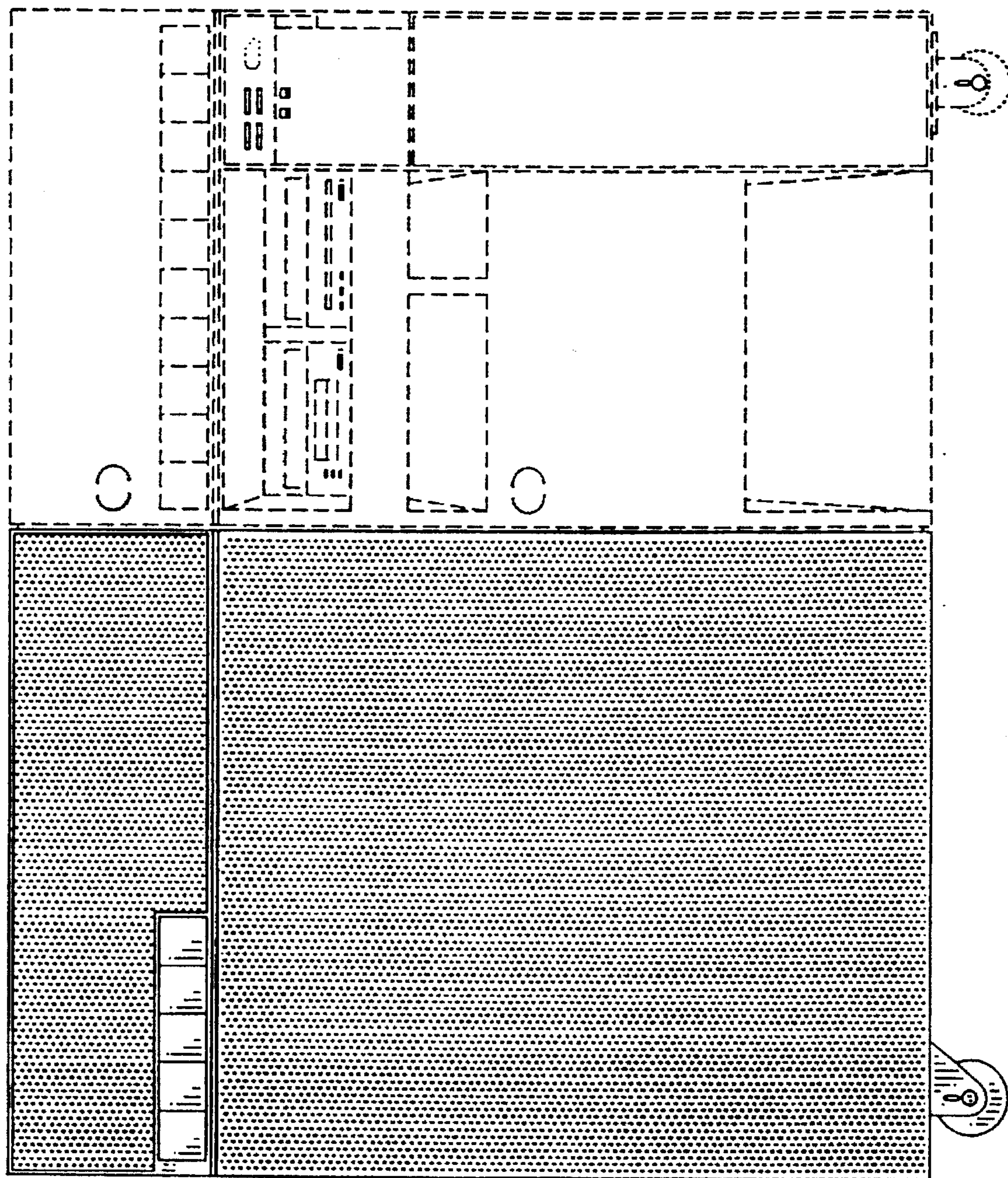


FIG. 2

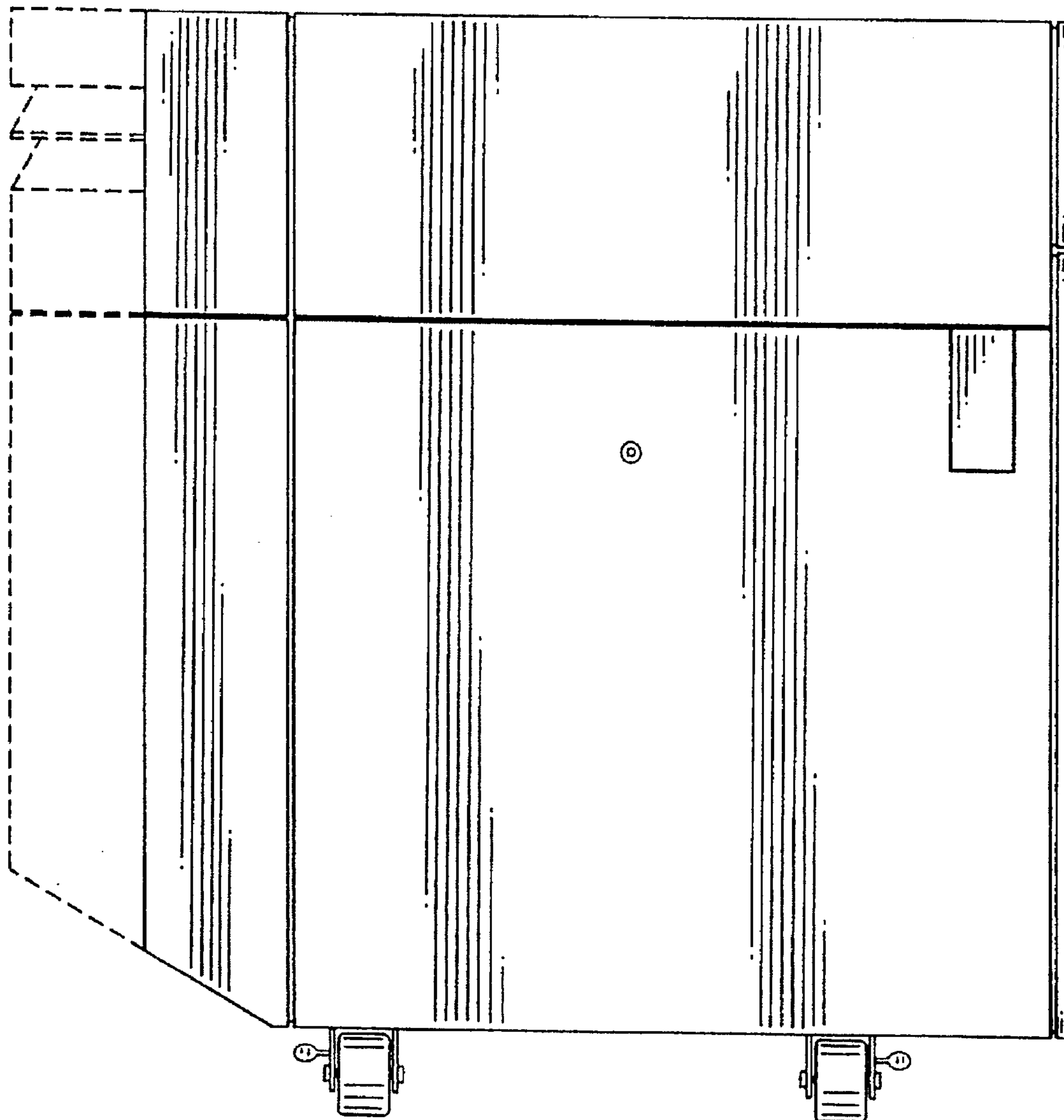


FIG. 3

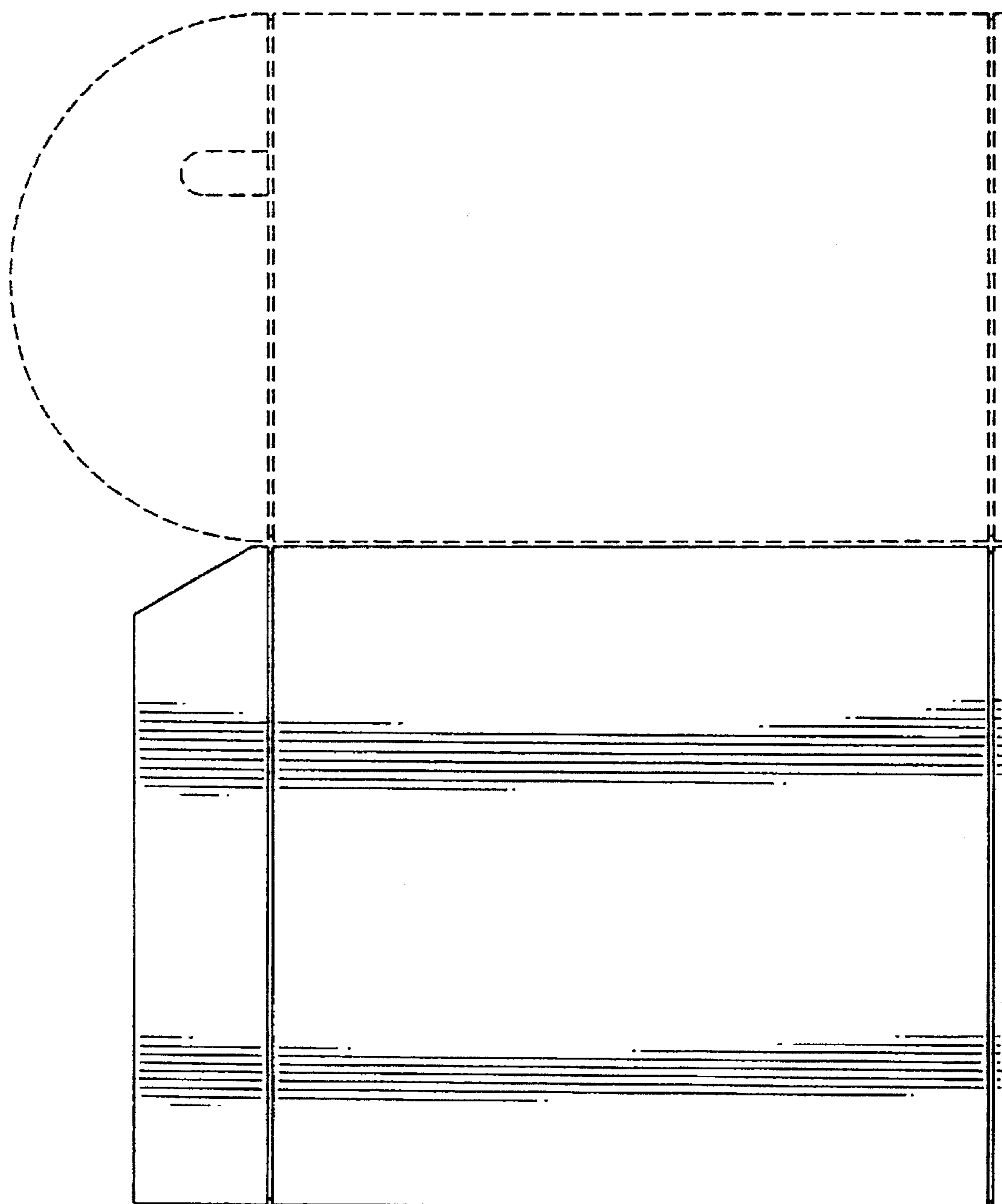


FIG. 4

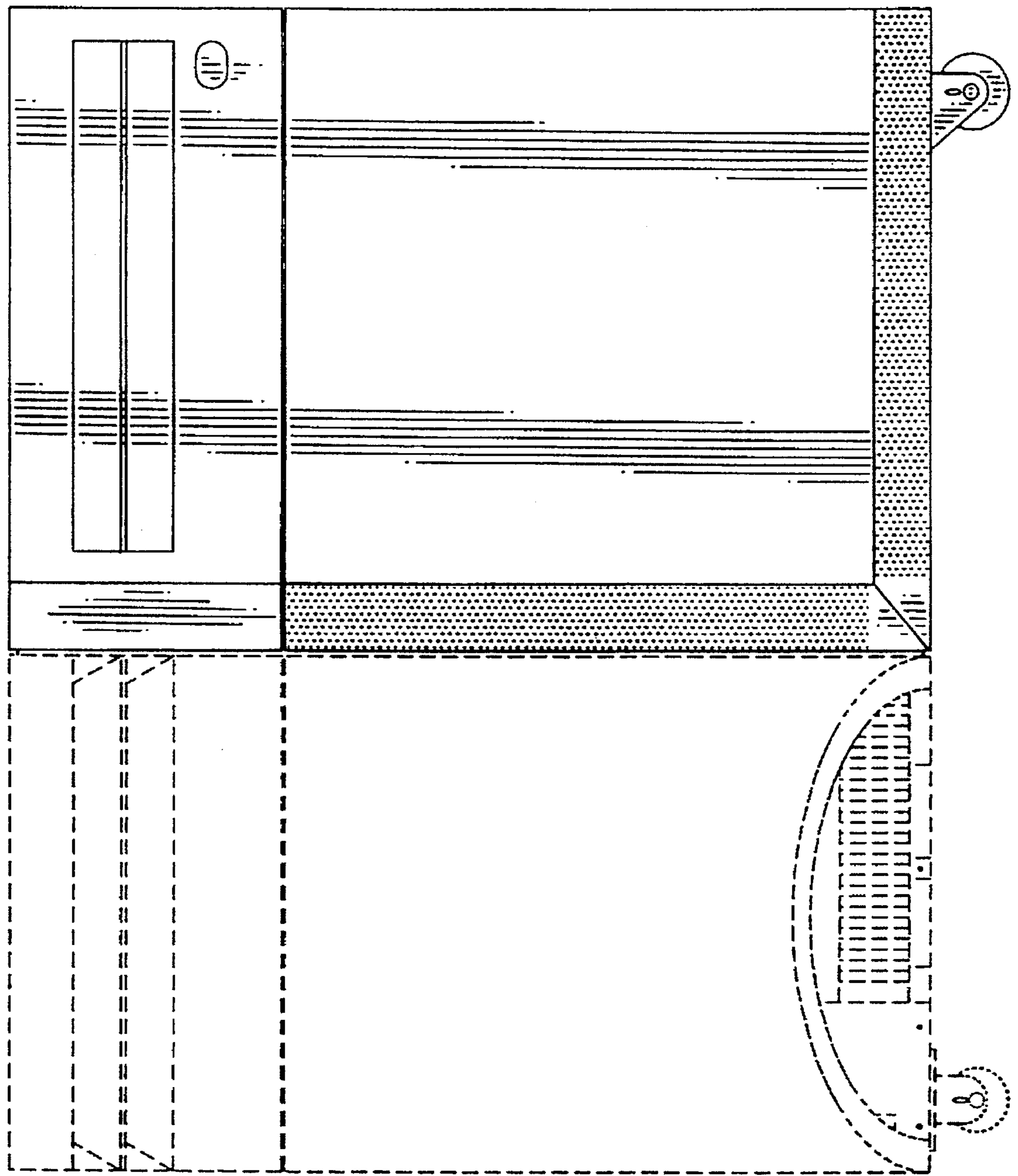


FIG. 5