



US00D380736S

United States Patent [19]

[11] Patent Number: **Des. 380,736**

Theis et al.

[45] Date of Patent: ****Jul. 8, 1997**

[54] **CABLE ROUTING DUCT**

4,484,020 11/1984 Lööf et al. 174/68.3
5,235,136 8/1993 Santucci et al. 174/68.3

[75] Inventors: **John W. Theis**, Cottage Grove; **Harry C. Sweere**, Minneapolis, both of Minn.

Primary Examiner—Doris Clark
Attorney, Agent, or Firm—Hugh D. Jaeger

[73] Assignee: **Ergotron, Inc.**, St. Paul, Minn.

[57] **CLAIM**

[**] Term: **14 Years**

The original design for a cable routing duct, as shown.

[21] Appl. No.: **53,100**

DESCRIPTION

[22] Filed: **Apr. 16, 1996**

FIG. 1 illustrates an isometric view thereof;
FIG. 2 illustrates a front view thereof;
FIG. 3 illustrates a left side view thereof;
FIG. 4 illustrates a right side view thereof;
FIG. 5 illustrates a top view thereof;
FIG. 6 illustrates a rear view thereof; and,
FIG. 7 illustrates a bottom view thereof.

[51] LOC (6) Cl. **13-03**

[52] U.S. Cl. **D13/155**

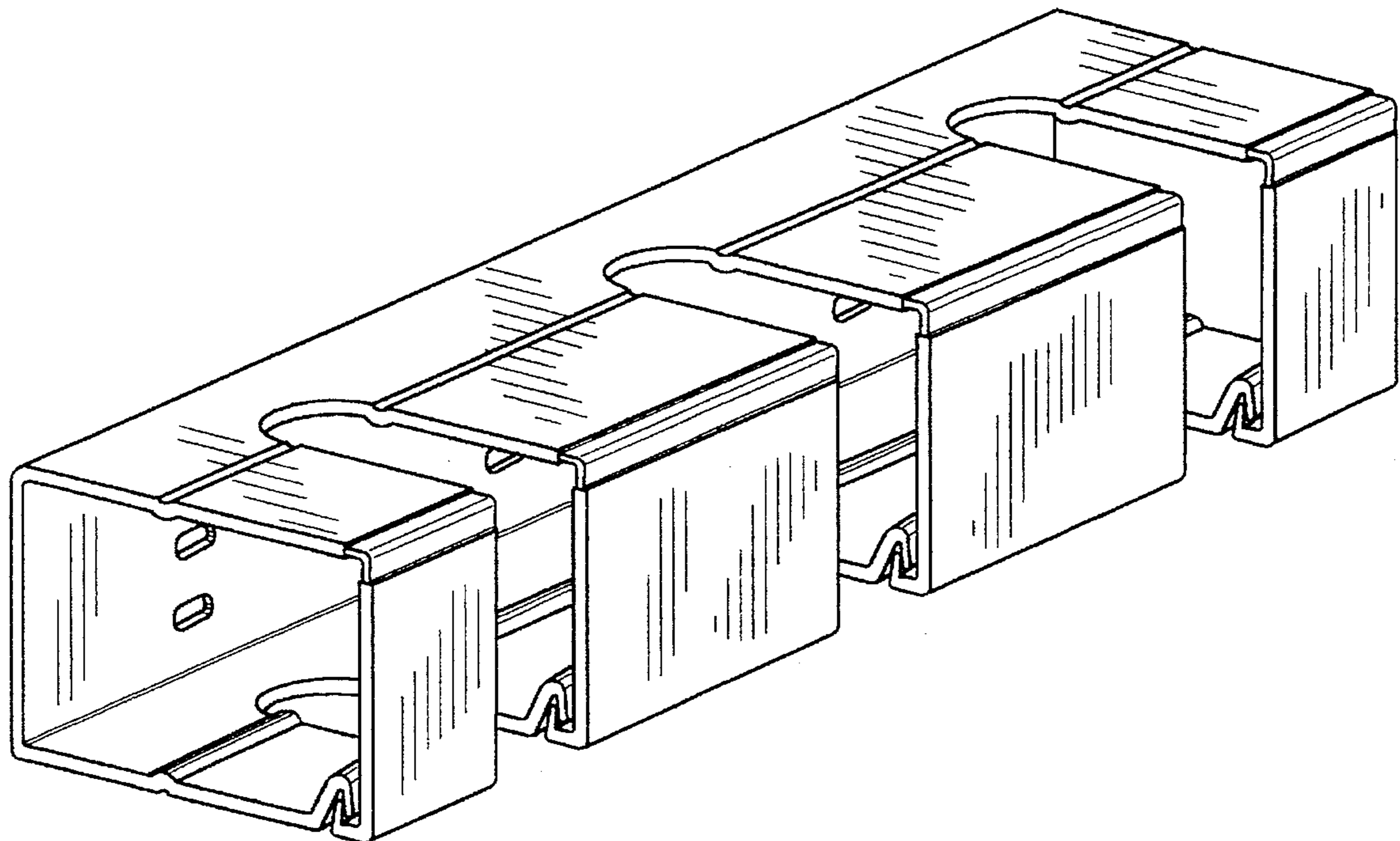
[58] Field of Search D13/133, 155;
174/68.3, 102 SP

[56] **References Cited**

U.S. PATENT DOCUMENTS

D. 334,562 4/1993 Maloney D13/155

1 Claim, 7 Drawing Sheets



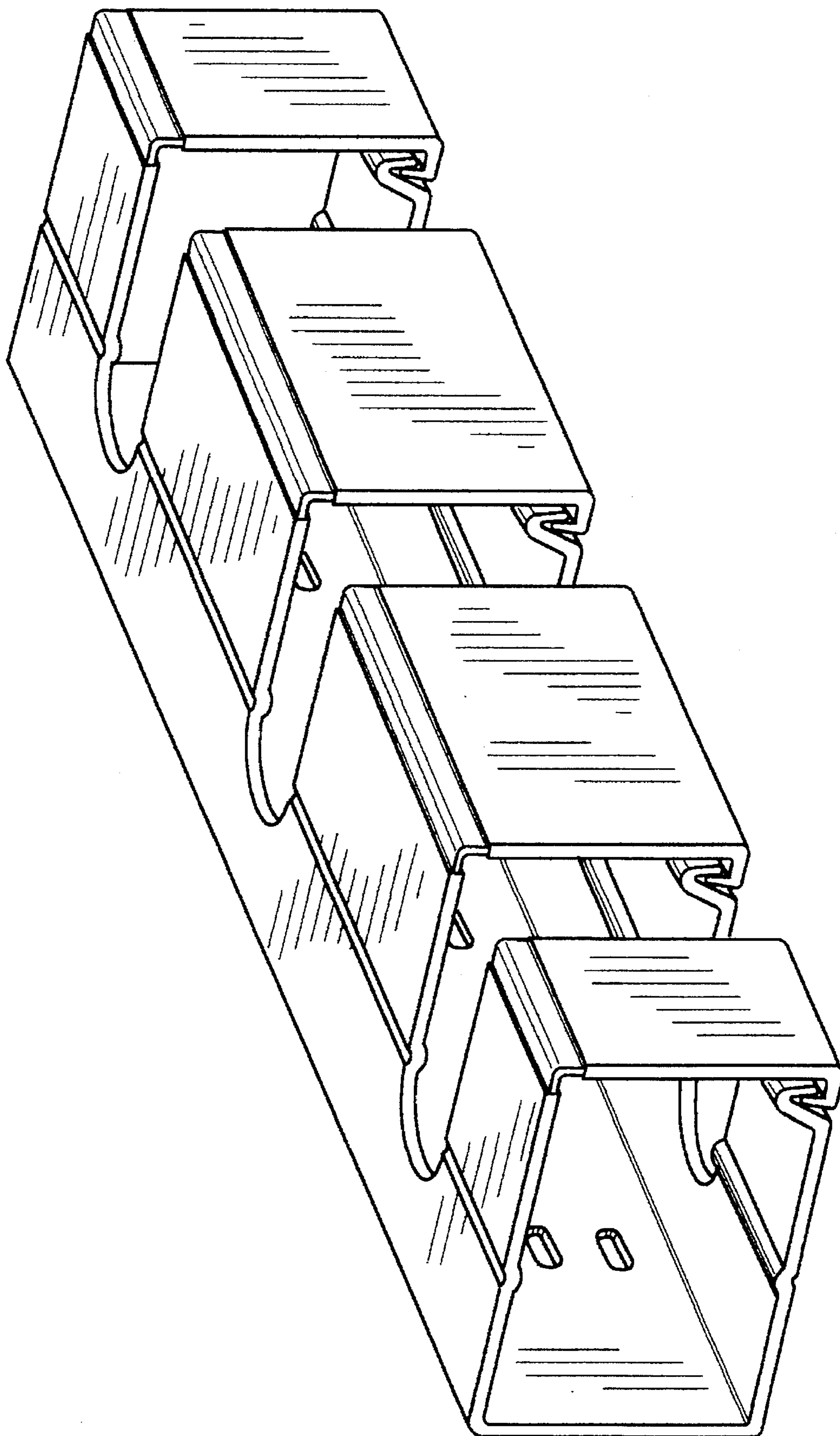


FIG. 1

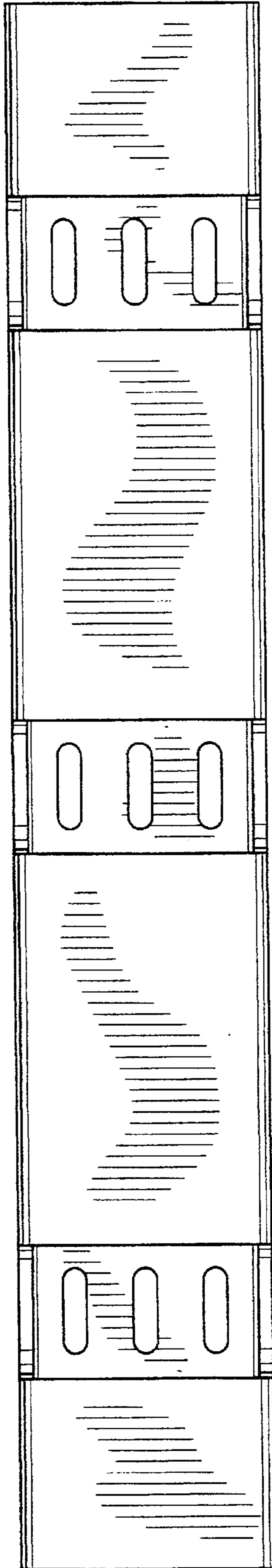


FIG. 2

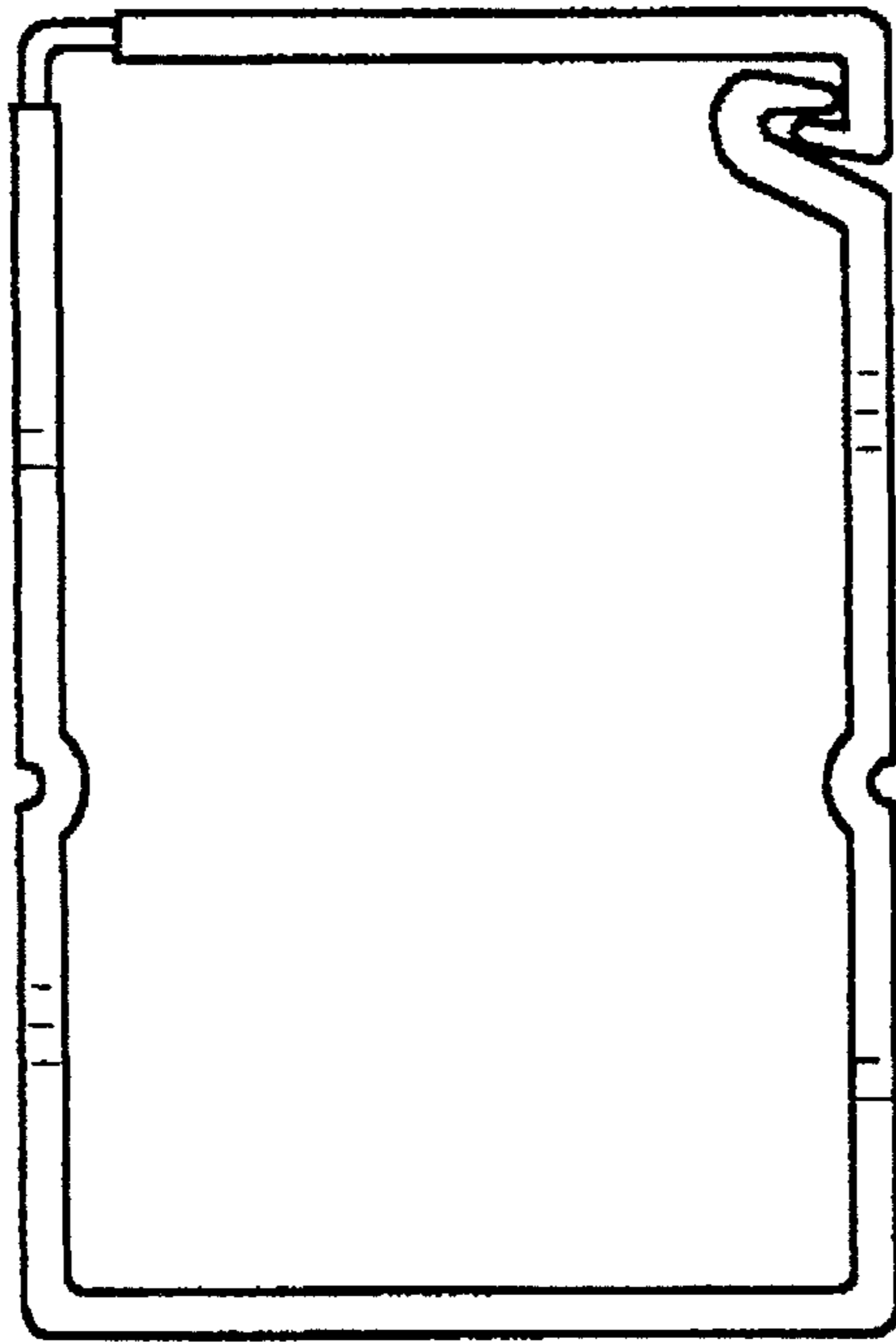


FIG. 3

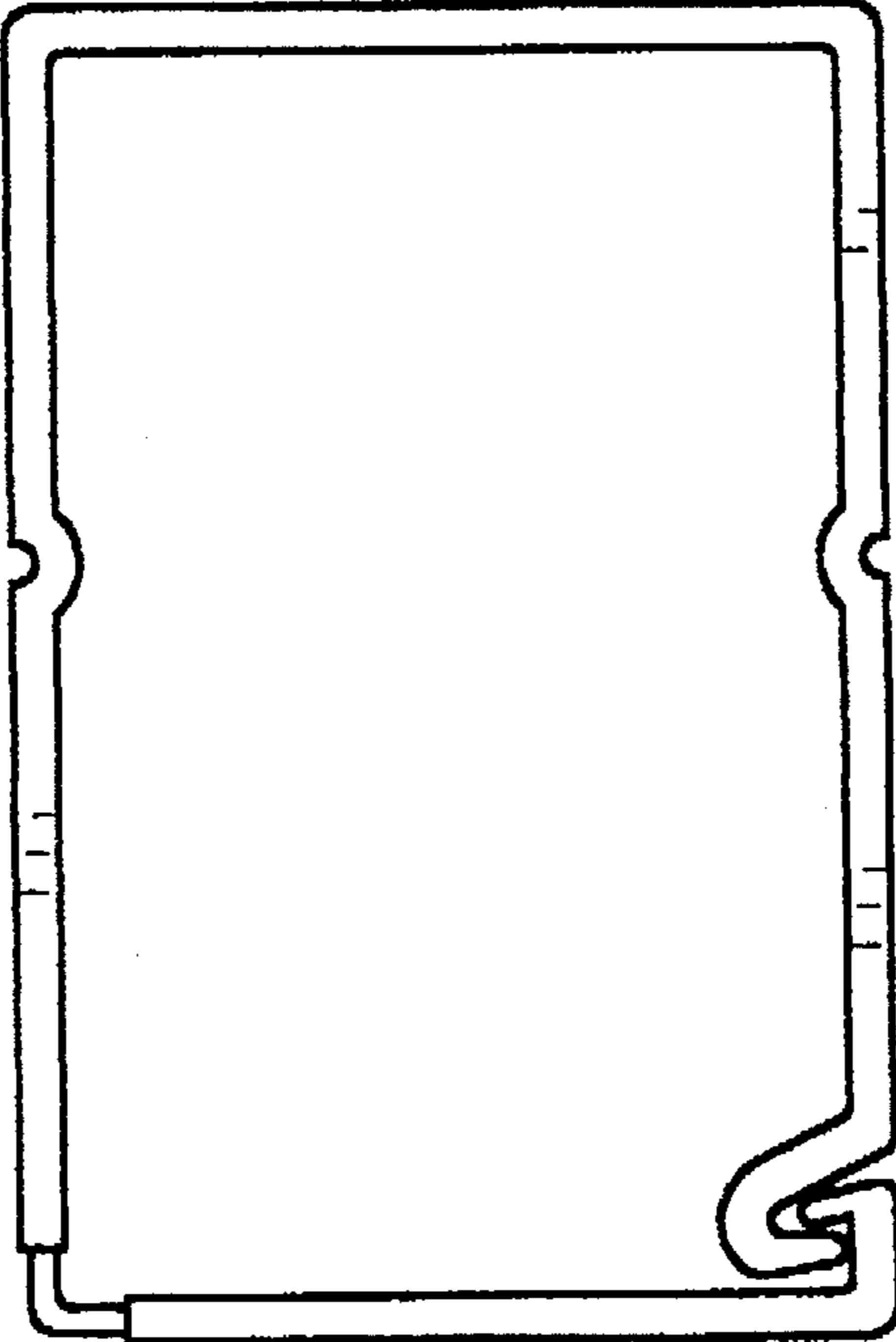


FIG. 4

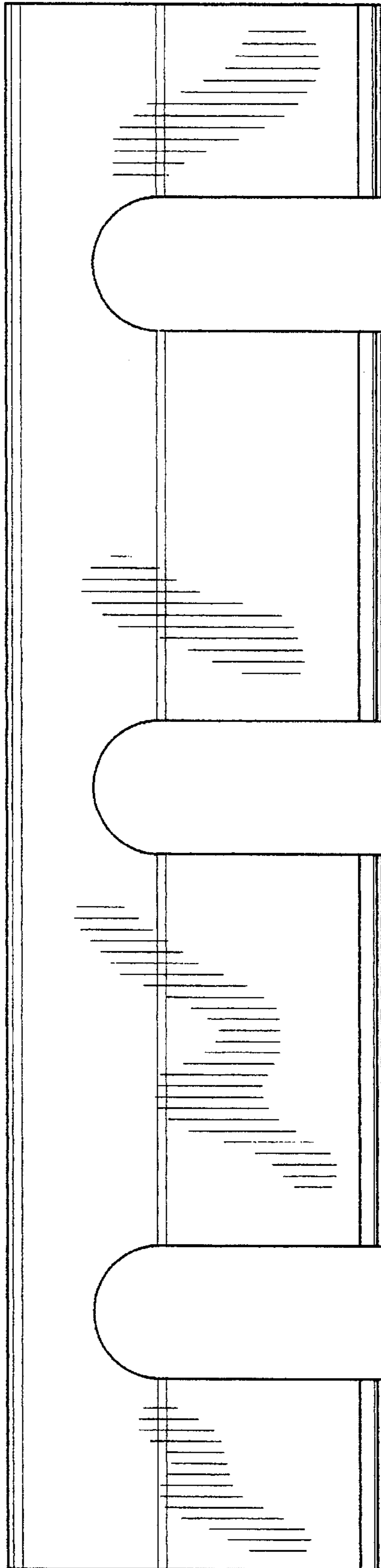


FIG. 5

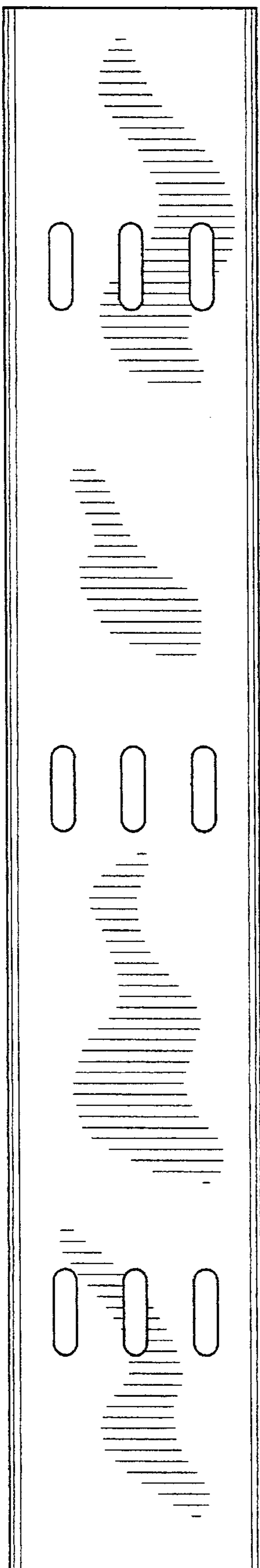


FIG. 6

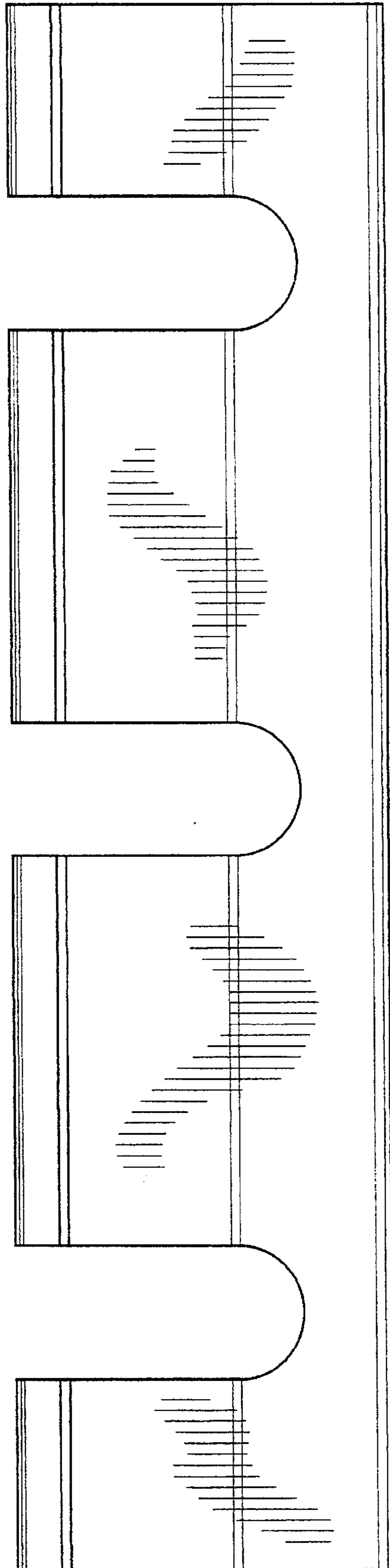


FIG. 7