



US00D380732S

United States Patent [19]
Saunders

[11] **Patent Number:** **Des. 380,732**
[45] **Date of Patent:** ****Jul. 8, 1997**

[54] **ELECTRIC OUTLET ADAPTOR**
[76] **Inventor:** **Walter Saunders, 1409 High St.,
Leavenworth, Kans. 66048**
[**] **Term:** **14 Years**
[21] **Appl. No.:** **42,247**
[22] **Filed:** **Aug. 4, 1995**
[51] **LOC (6) Cl.** **13-03**
[52] **U.S. Cl.** **D13/139**
[58] **Field of Search** **D13/138, 141,
D13/143; 439/628, 638, 651, 655**

4,543,624 9/1985 Rumble 363/146
5,178,555 1/1993 Kilpatrick et al. 439/215

Primary Examiner—Joel Sincavage
Attorney, Agent, or Firm—Harold H. Dutton, Jr.; W. Charles
L. Jaminson; Diane F. Liebman

[57] **CLAIM**

The ornamental design for an electric outlet adaptor, as shown.

DESCRIPTION

FIG. 1 is a rear perspective view of an electric outlet adaptor showing my new design;
FIG. 2 is a rear view thereof;
FIG. 3 is a front view thereof;
FIG. 4 is a right side view of the electric outlet adaptor fully assembled;
FIG. 5 is a left side view thereof;
FIG. 6 is a top view thereof; and,
FIG. 7 is a bottom view thereof.

[56] **References Cited**

U.S. PATENT DOCUMENTS

D. 64,594	5/1924	Hubbell	D13/139
D. 244,860	6/1977	Jaconette	D13/138
D. 292,281	10/1987	Poliak et al.	D13/141
D. 297,634	9/1988	Poliak et al.	D13/143
D. 300,314	3/1989	Krzyzanowski et al.	D13/139

1 Claim, 4 Drawing Sheets

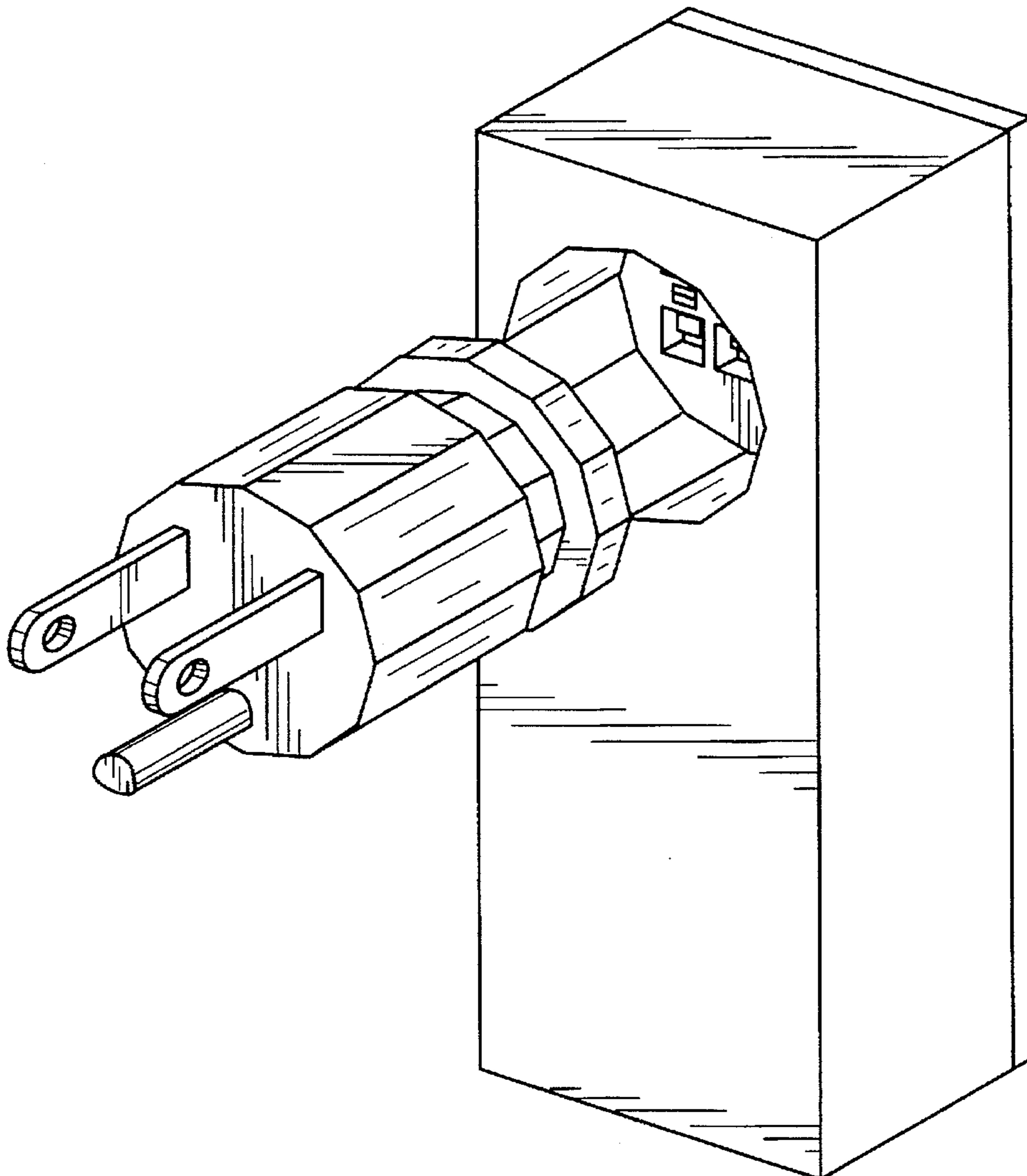
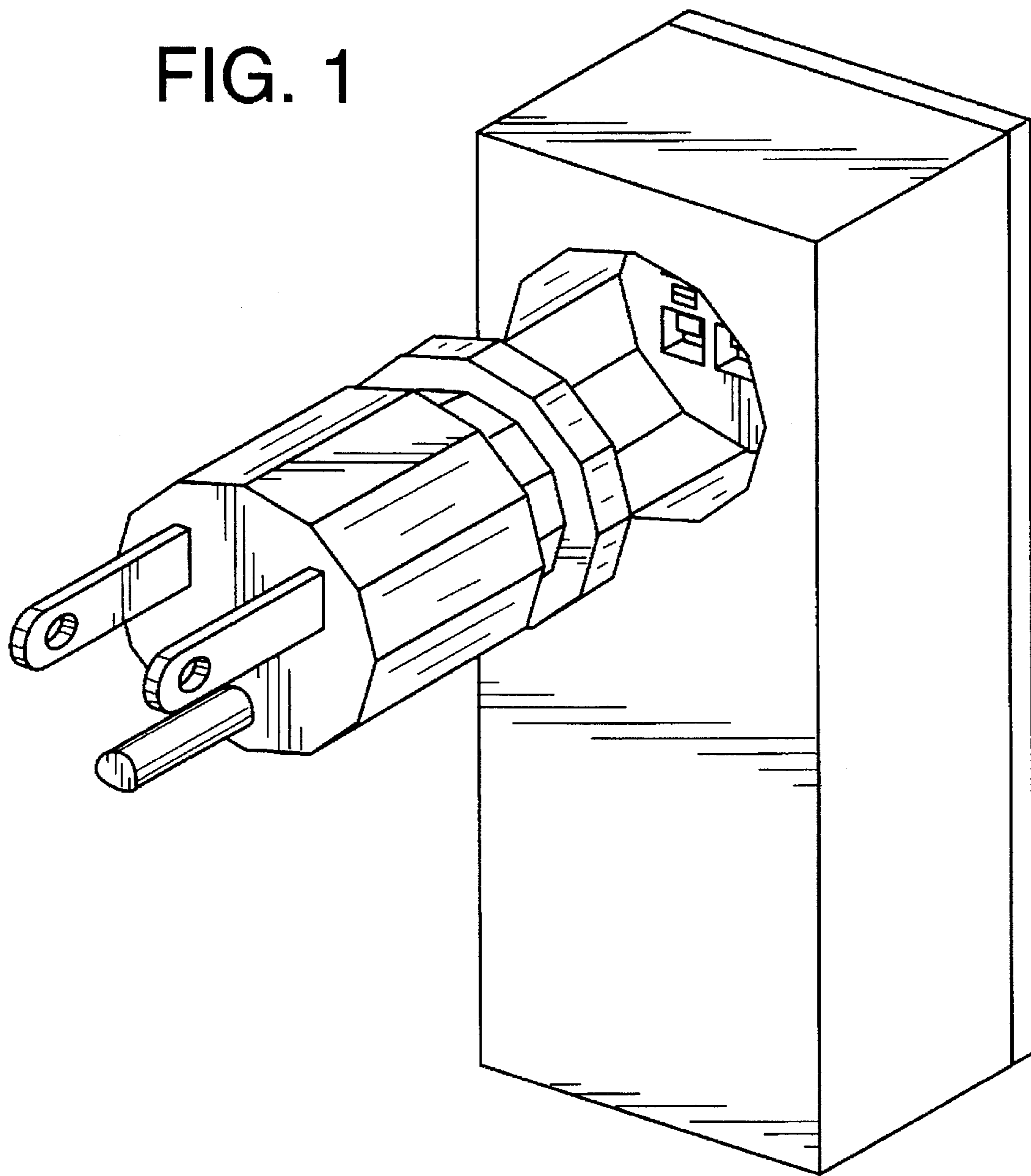


FIG. 1



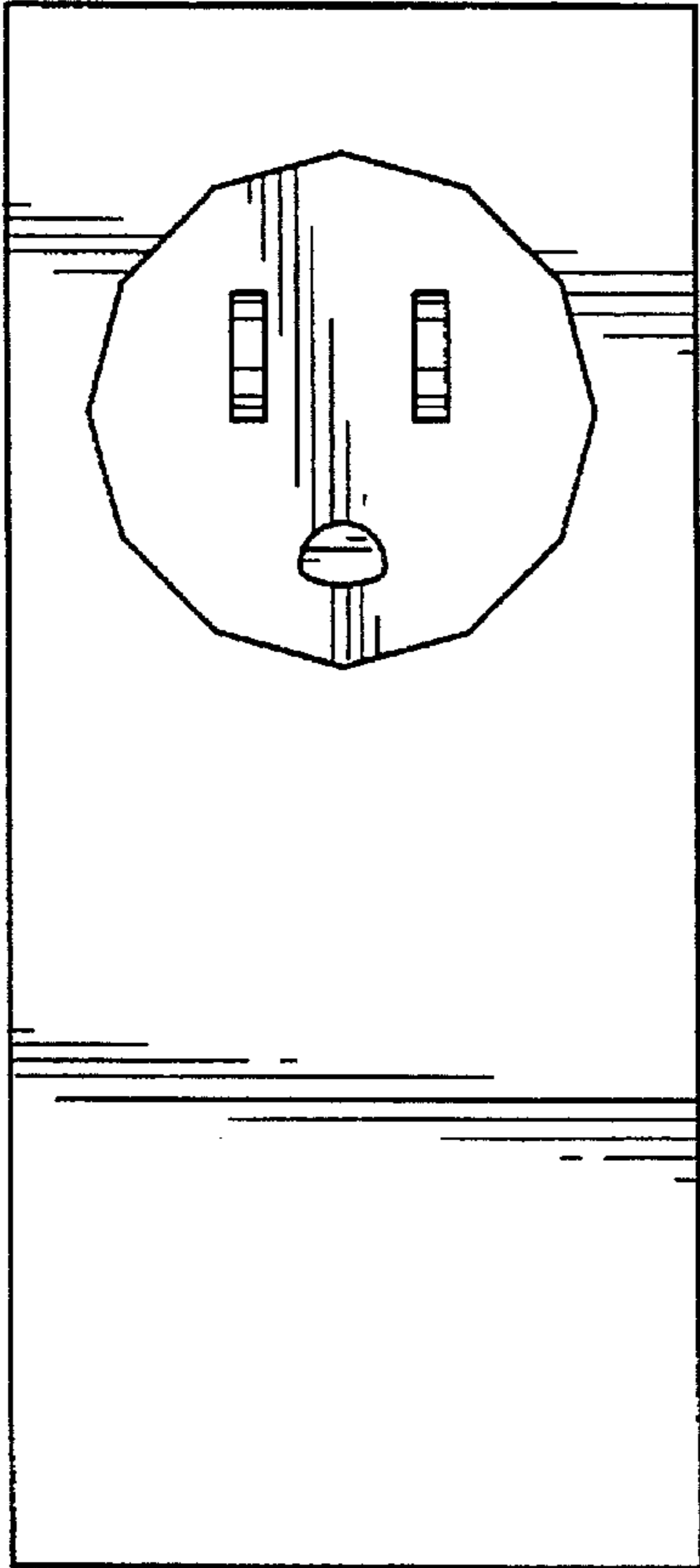


FIG. 2

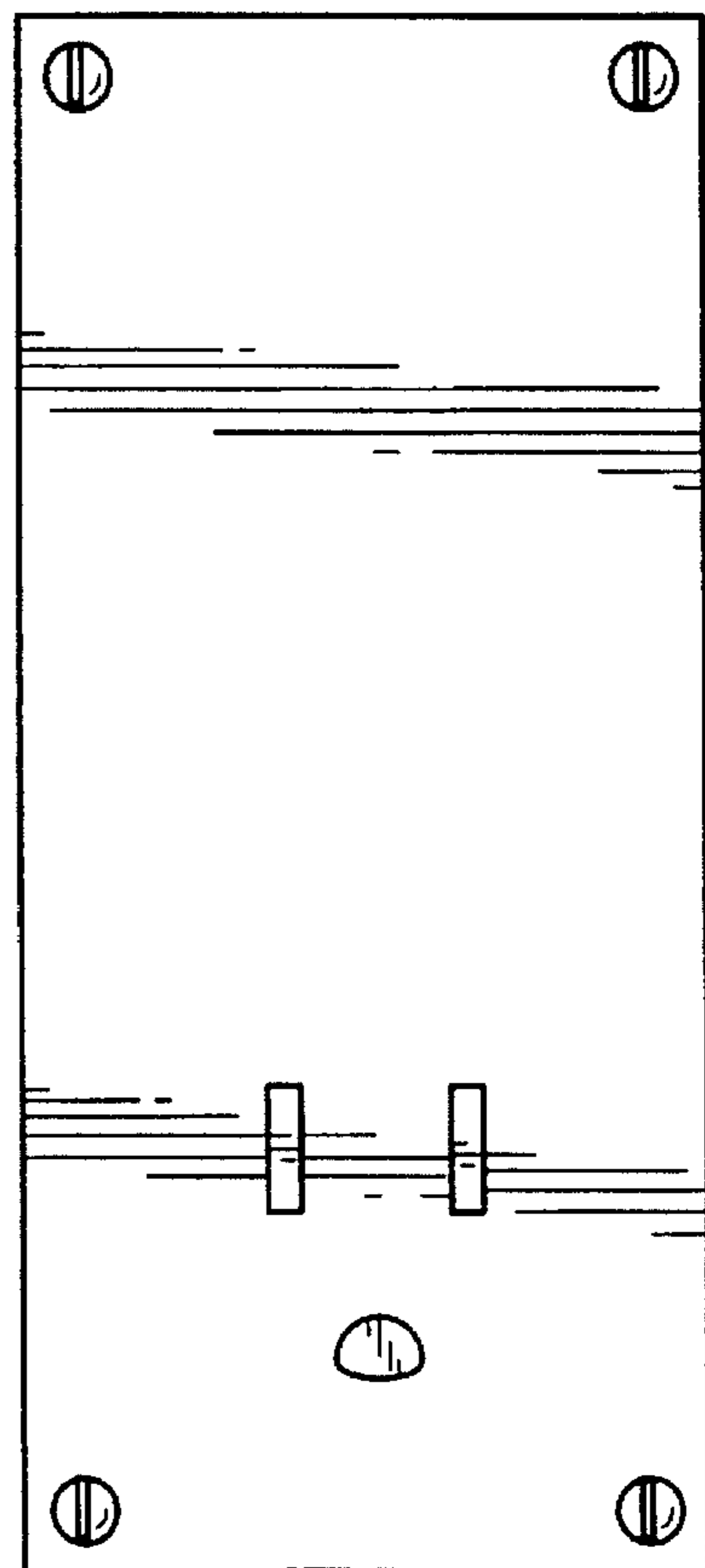


FIG. 3

FIG. 4

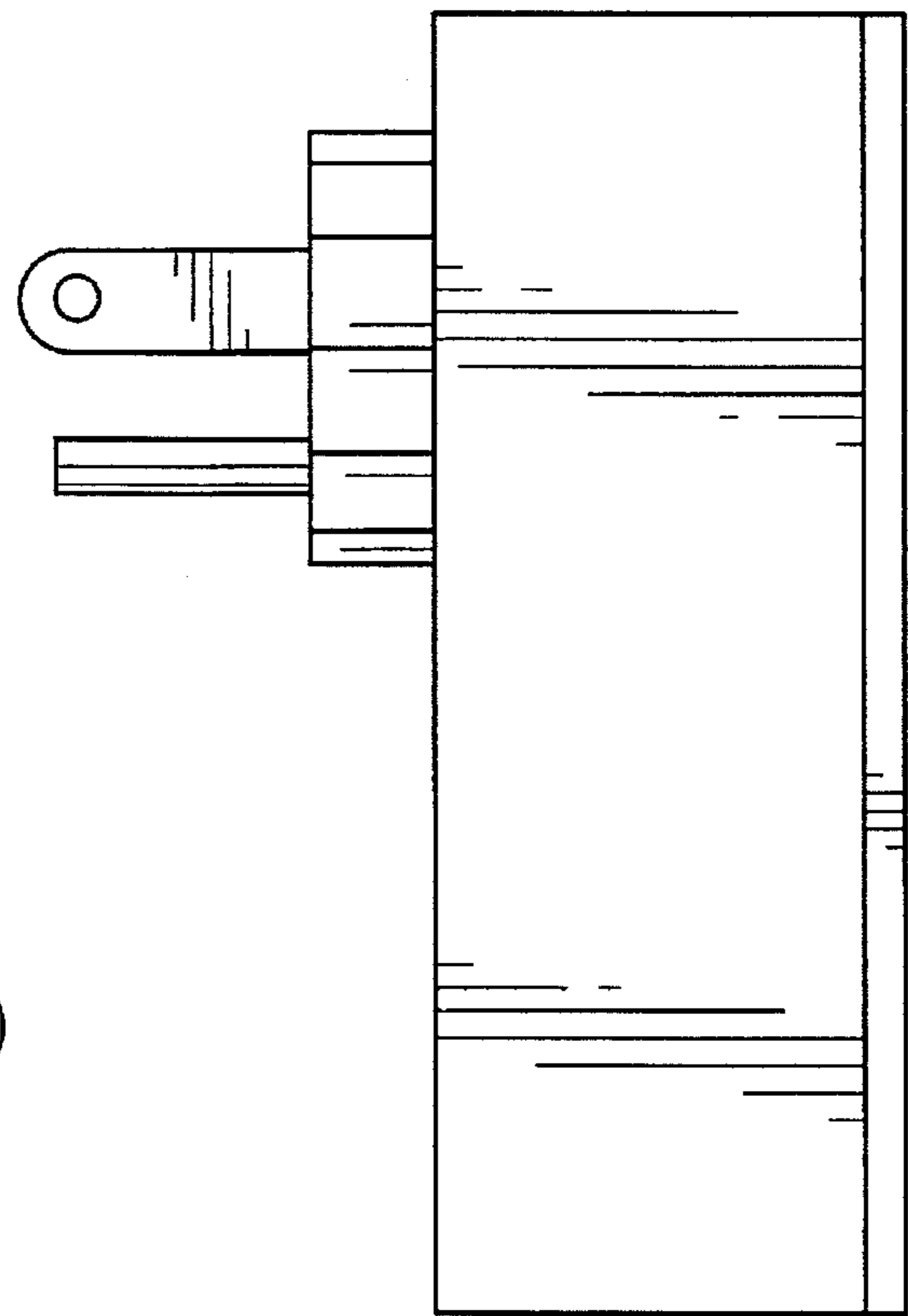
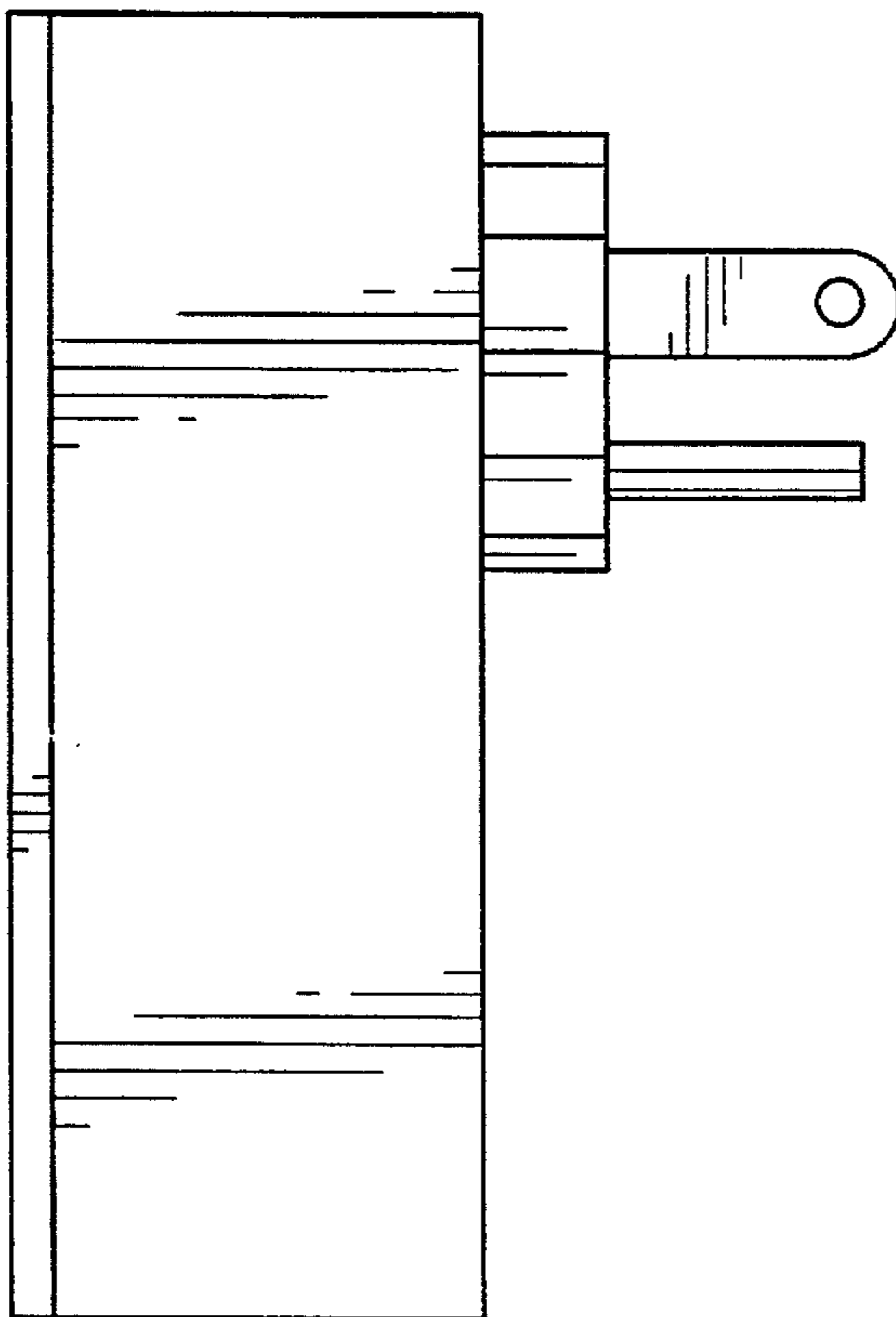


FIG. 5

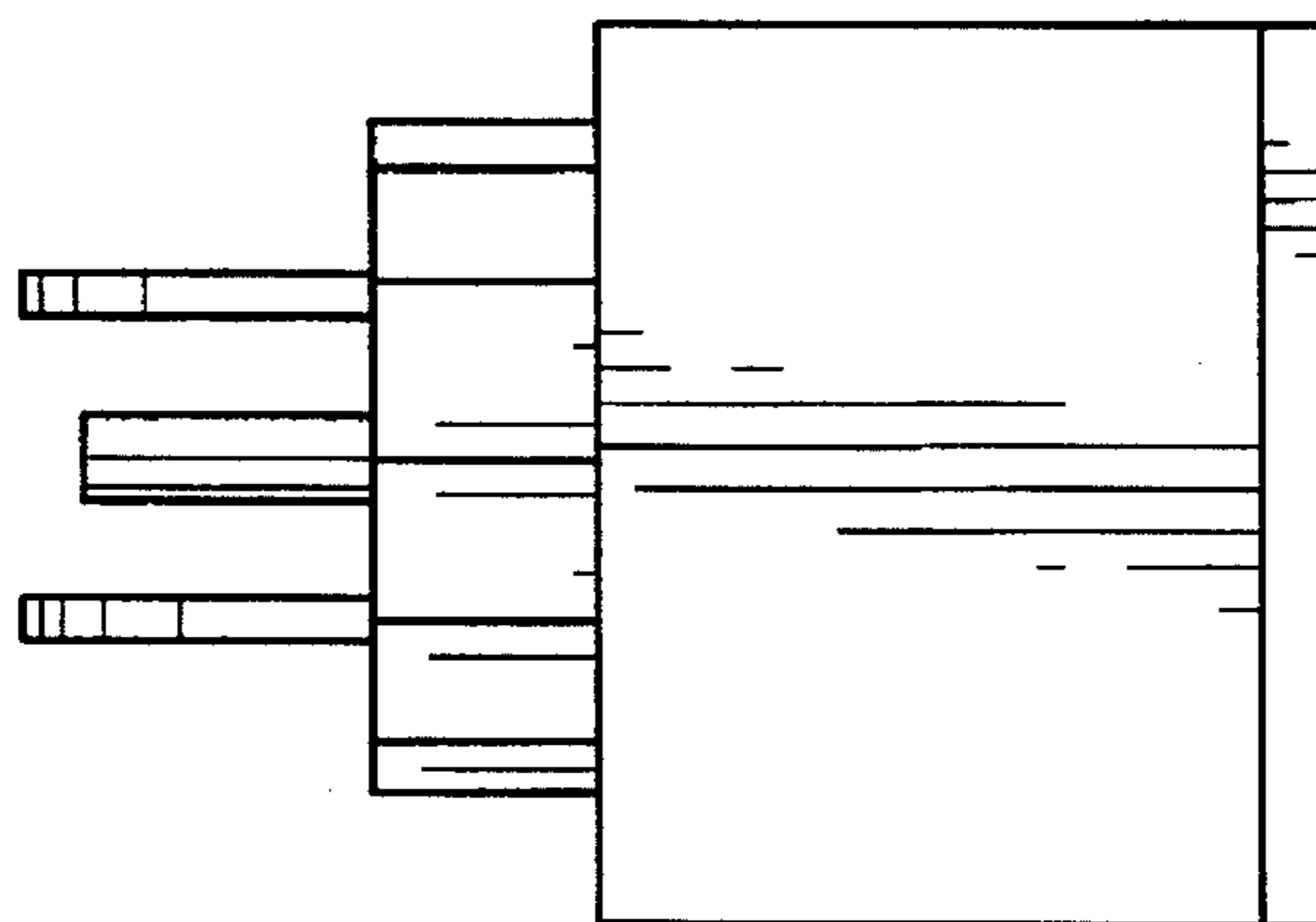


FIG. 6

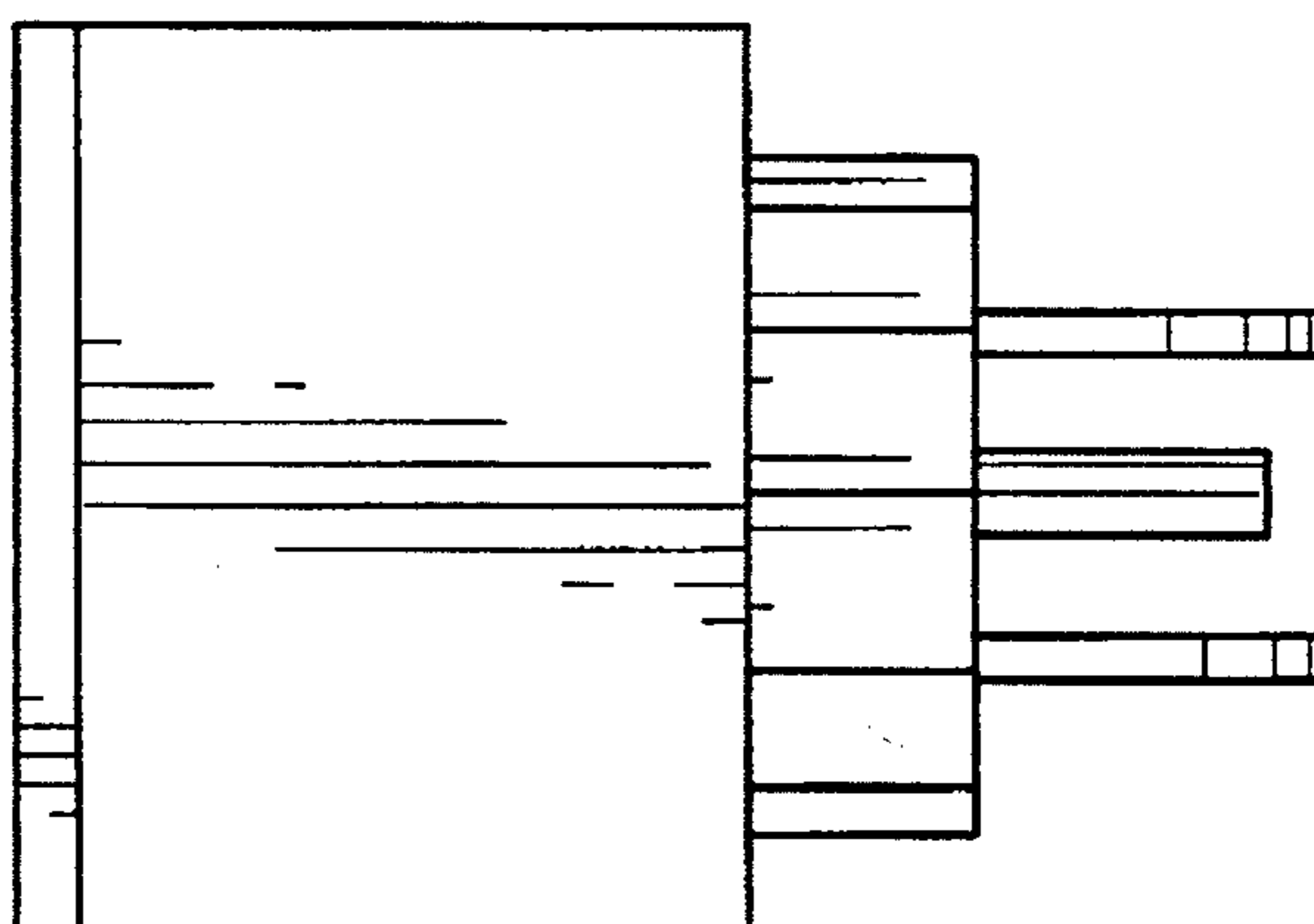


FIG. 7