



US00D380731S

United States Patent [19]
Schadhauser

[11] **Patent Number:** **Des. 380,731**
[45] **Date of Patent:** ****Jul. 8, 1997**

[54] **COMBINATION SOCKET FOR A
FLUORESCENT LAMP AND ACCESSORY
CIRCUIT, OR BALLAST THEREFOR**

5,362,246 11/1994 Lau 439/236

[75] **Inventor:** **Klaus Schadhauser, Munich, Germany**

Primary Examiner—Holly Baynham
Attorney, Agent, or Firm—Frishauf, Holtz, Goodman,
Langer & Chick, P.C.

[73] **Assignee:** **Osram GmbH, Munich, Germany**

[57] **CLAIM**

[**] **Term:** **14 Years**

The ornamental design for a combination socket for a
fluorescent lamp and accessory circuit, or ballast therefor, as
shown.

[21] **Appl. No.:** **45,399**

[22] **Filed:** **Oct. 18, 1995**

DESCRIPTION

[30] **Foreign Application Priority Data**

May 12, 1995 [DE] Germany M 95 04 122.2

FIG. 1 is a top, front, left-side perspective view of the
combination socket for a fluorescent lamp and accessory
circuit, or ballast therefor, showing my new design;

[51] **LOC (6) Cl.** **13-03**

[52] **U.S. Cl.** **D13/134**

FIG. 2 is a top, rear, right-side perspective view thereof;

FIG. 3 is a front elevational view thereof;

[58] **Field of Search** **D13/134, 110;**

437/236, 527, 574-575, 227, 226, 231;

315/DIG. 5, DIG. 7, 151, 209 R

FIG. 4 is a rear elevation view thereof;

FIG. 5 is a left side elevational view thereof;

FIG. 6 is a right side elevational view thereof;

FIG. 7 is a bottom plan view thereof; and,

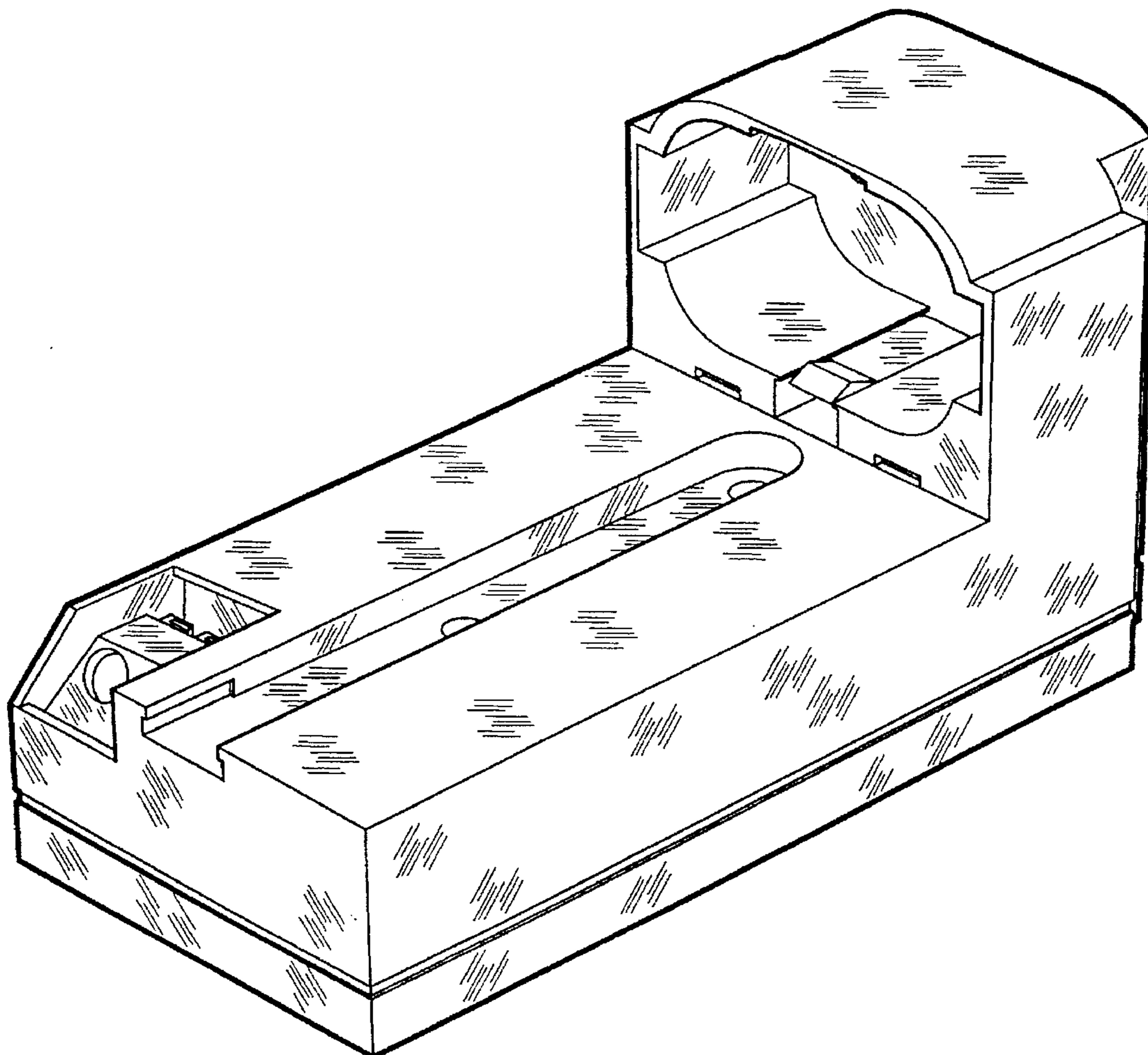
FIG. 8 is a top plan view thereof.

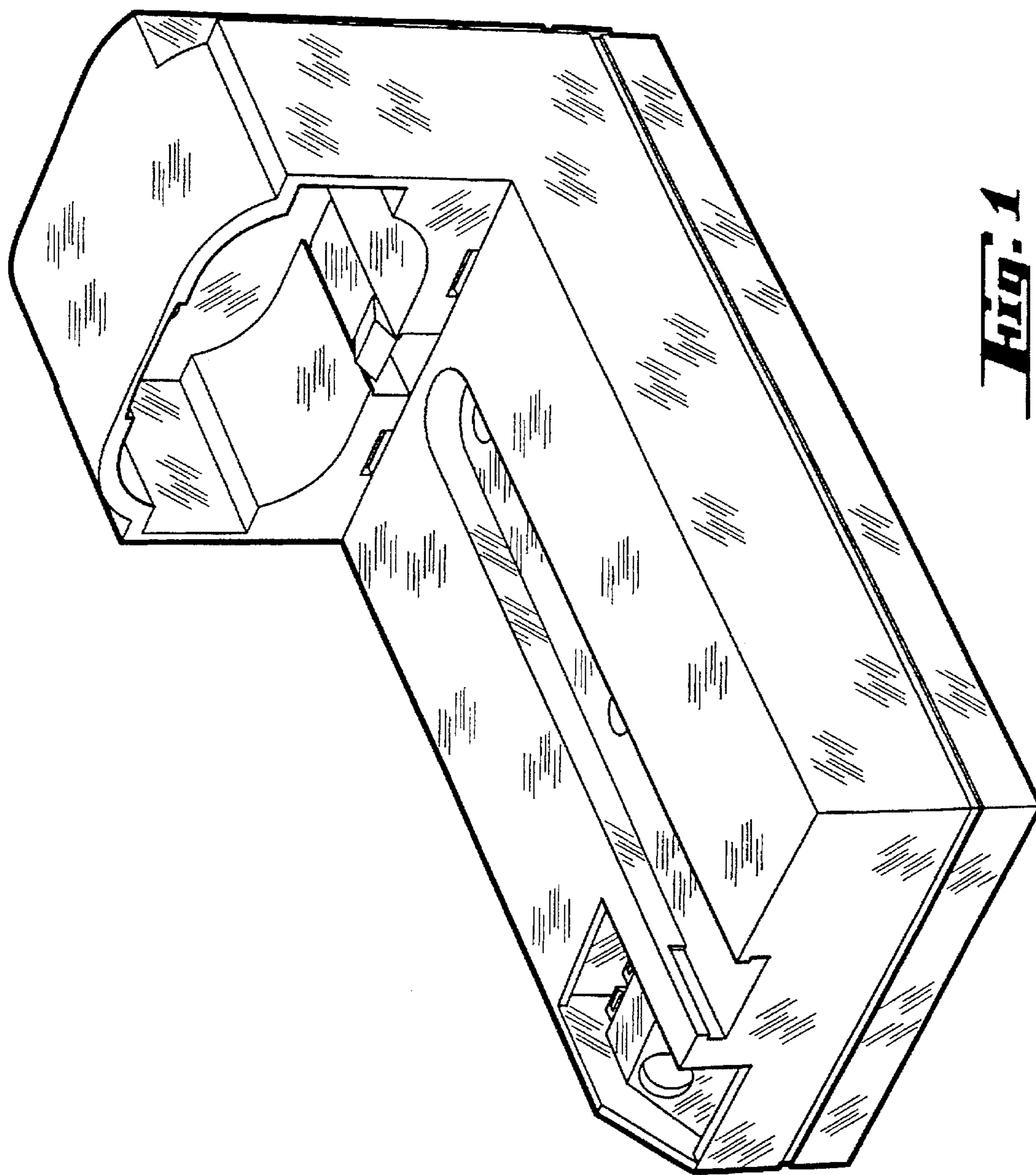
[56] **References Cited**

U.S. PATENT DOCUMENTS

D. 151,314 10/1948 Adams et al. D13/134

1 Claim, 8 Drawing Sheets





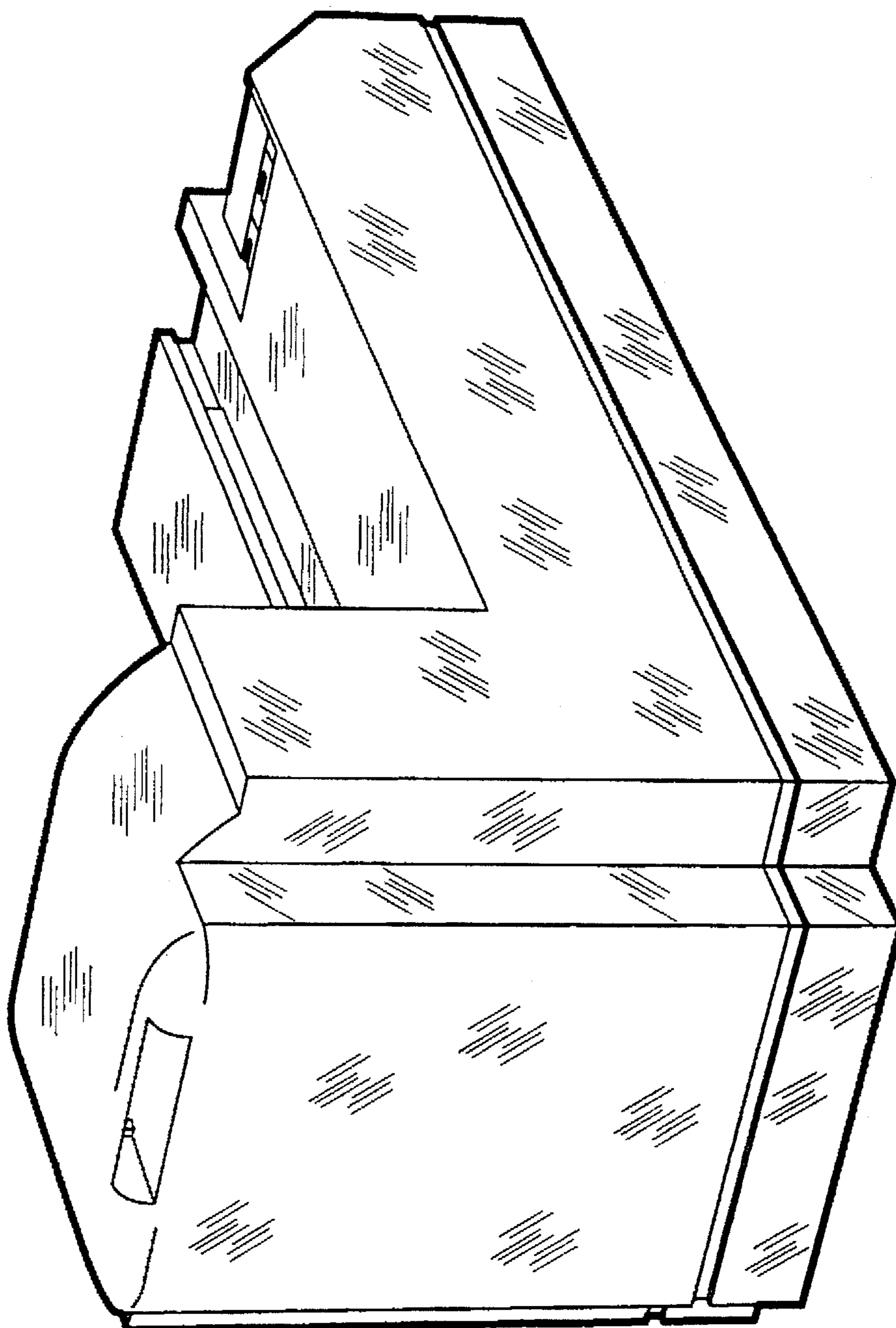


FIG. 2

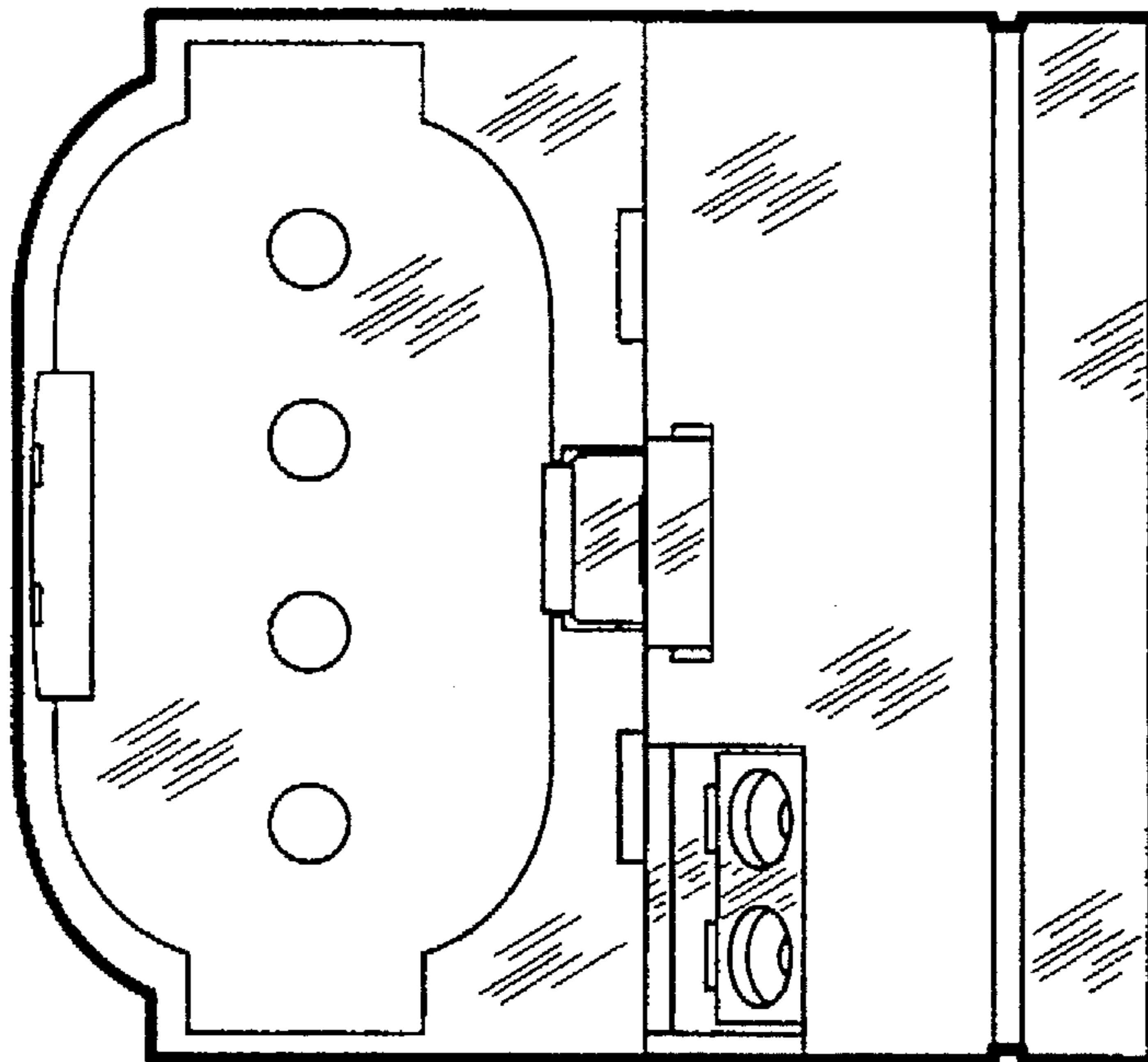


Fig. 3

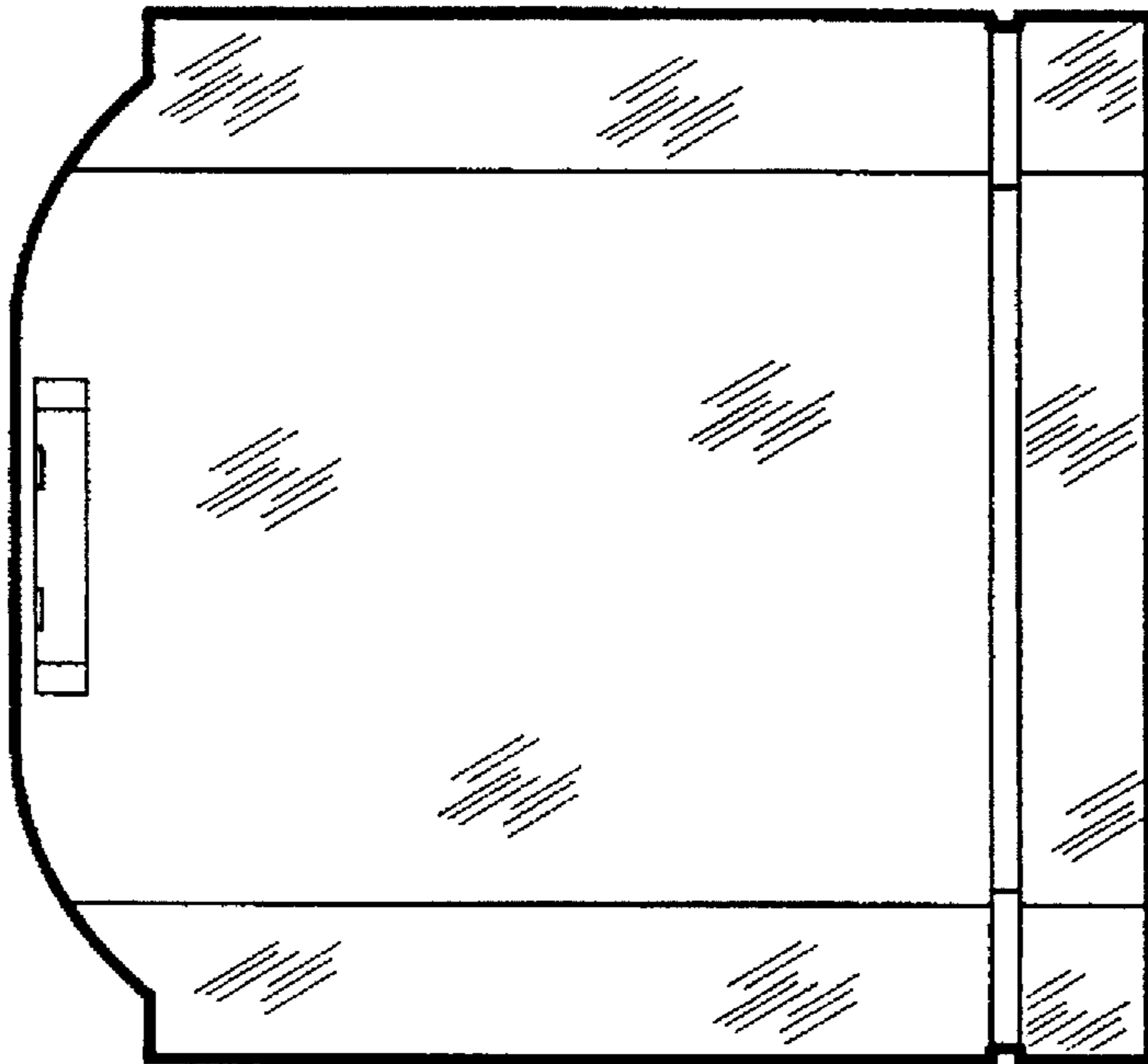


Fig. 4

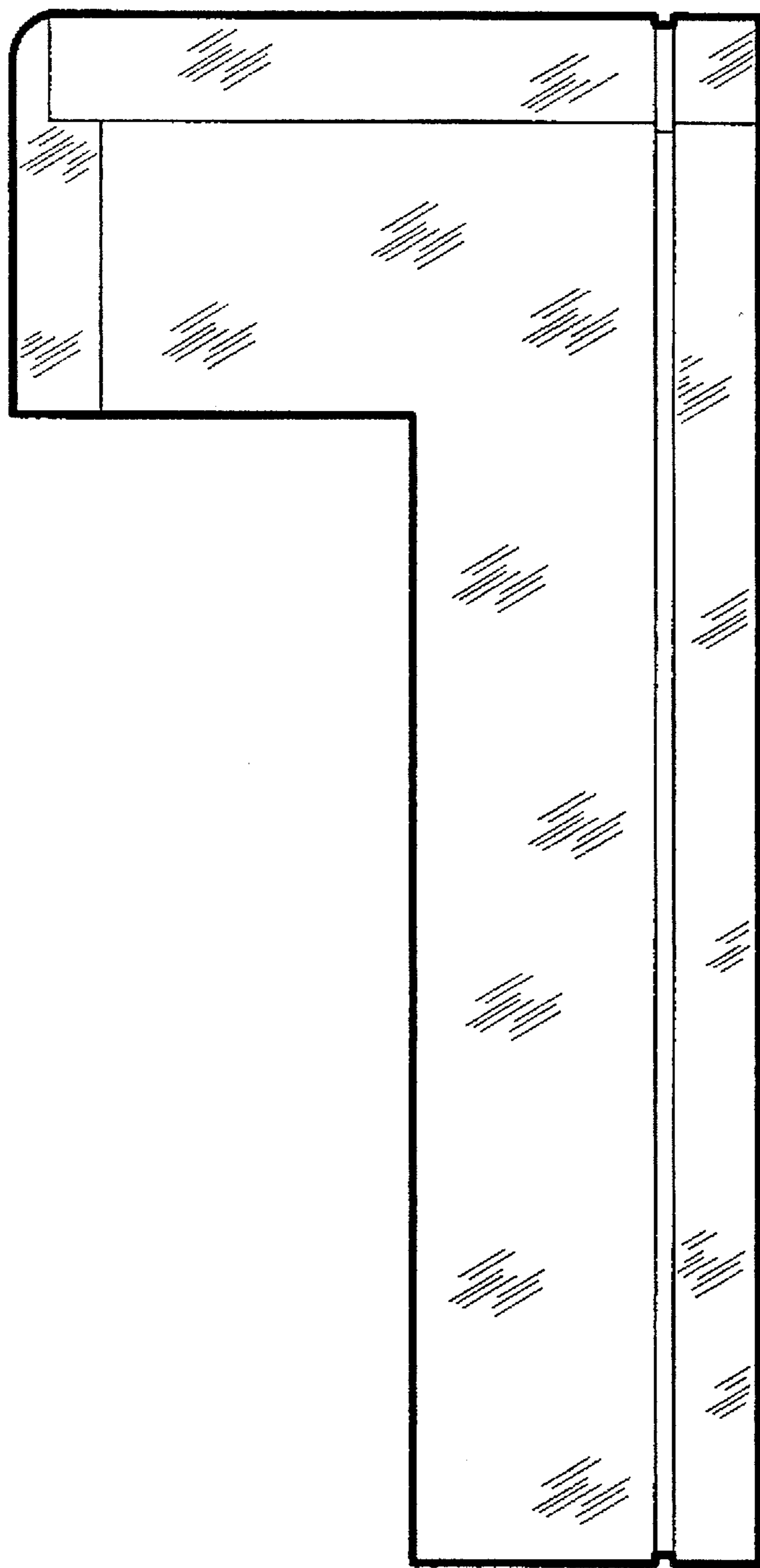


FIG. 5

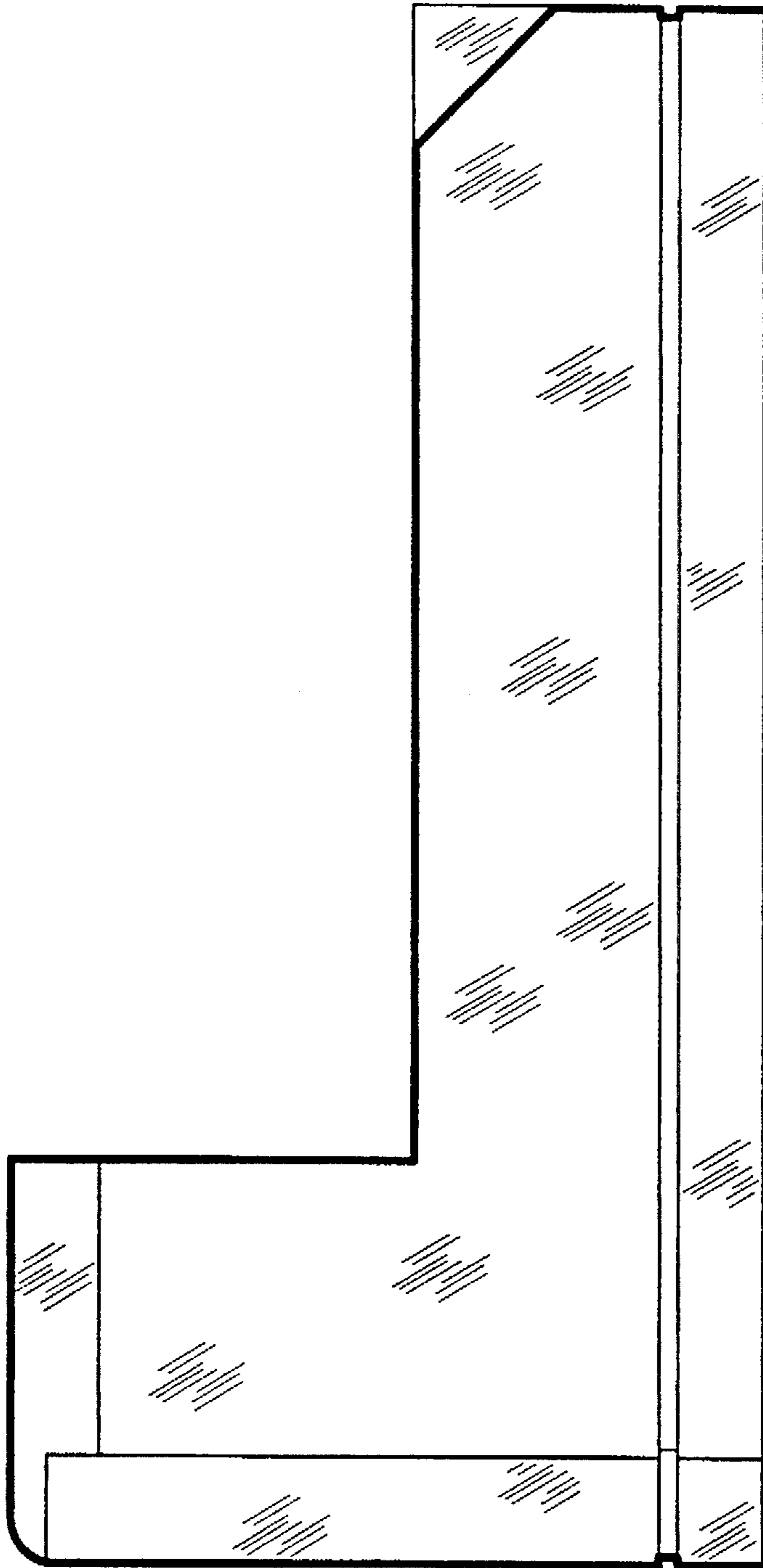


FIG. 6

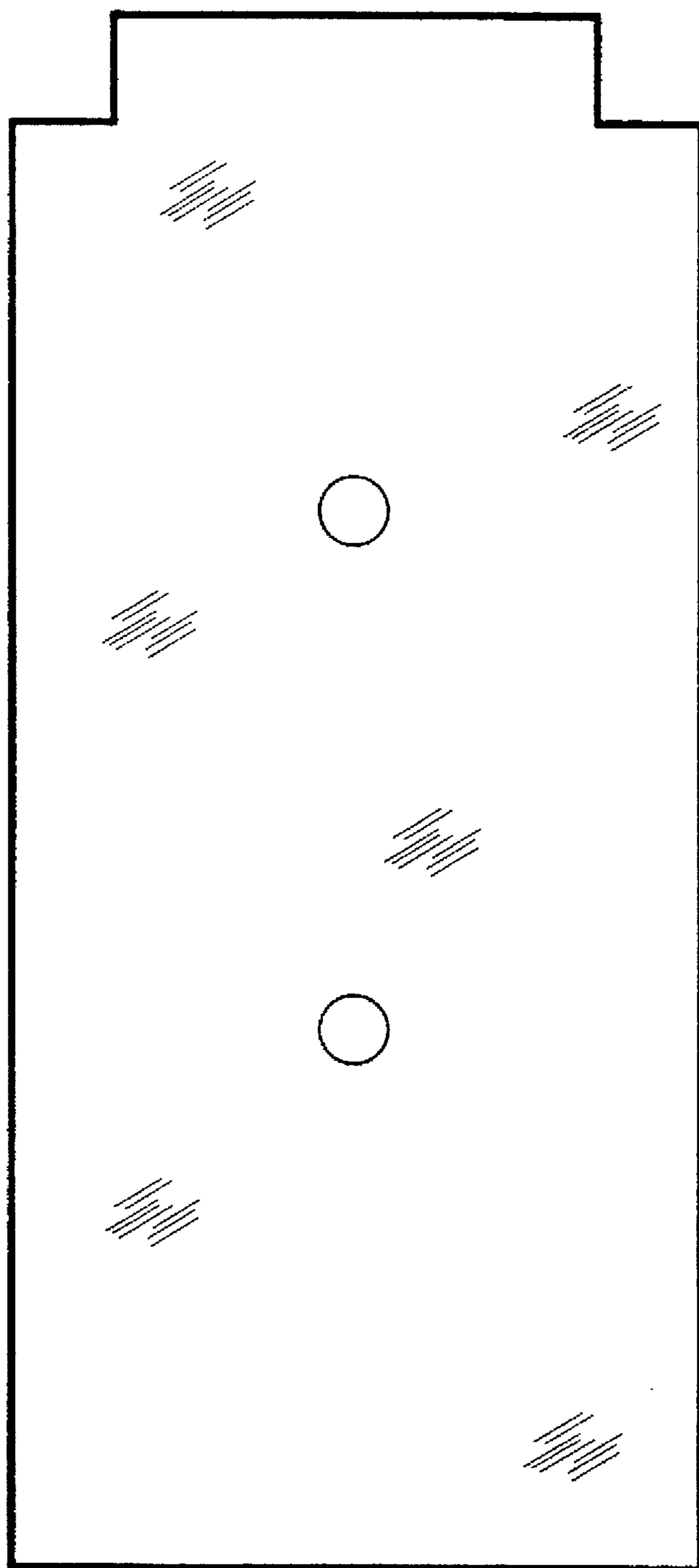


FIG. 7

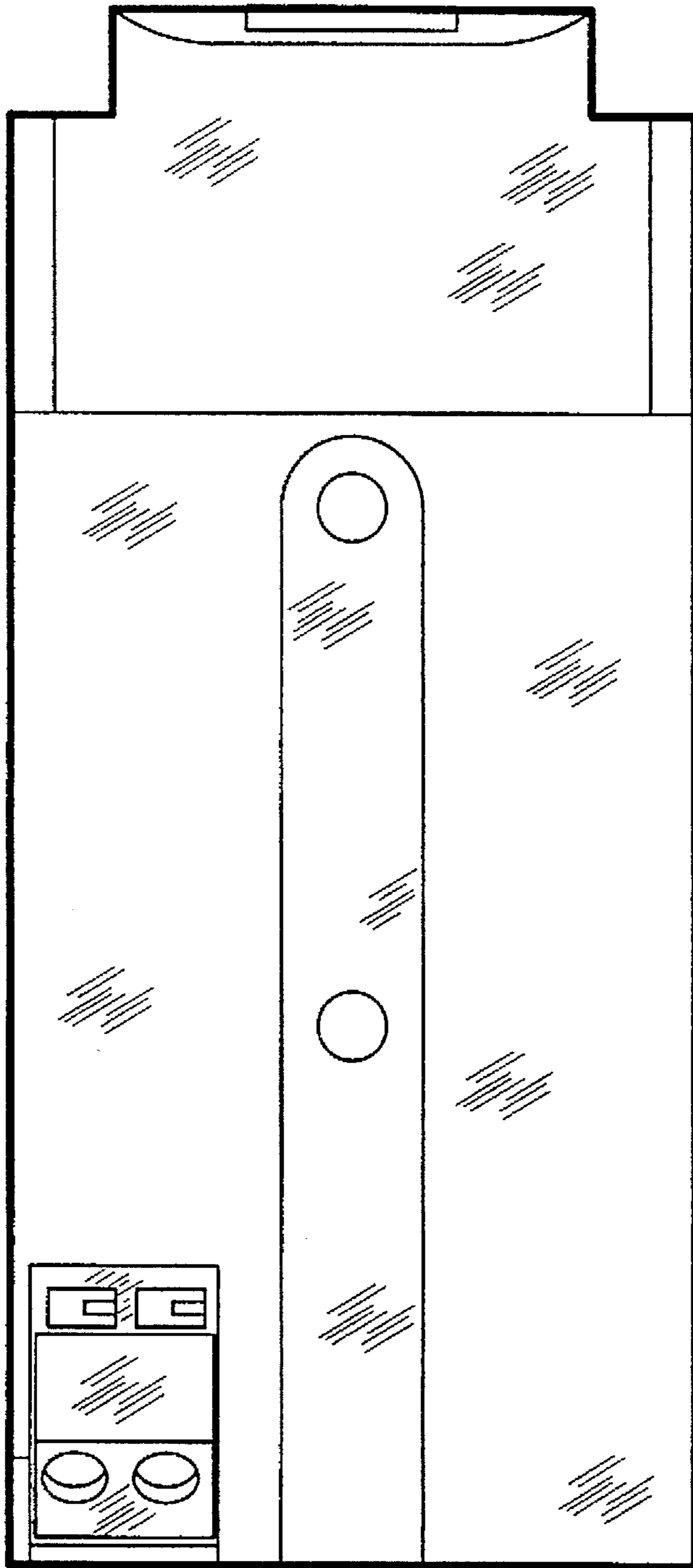


FIG. 8