



US00D380729S

United States Patent [19]

Richards et al.

[11] Patent Number: **Des. 380,729**

[45] Date of Patent: ****Jul. 8, 1997**

[54] **TOP COVER FOR A BATTERY CHARGER**

[75] Inventors: **Scott H. Richards**, Plantation, Fla.;
Hector R. Quinonez, Buford, Ga.

[73] Assignee: **Motorola, Inc.**, Schaumburg, Ill.

[**] Term: **14 Years**

[21] Appl. No.: **50,223**

[22] Filed: **Feb. 12, 1996**

[51] LOC (6) Cl. **13-02**

[52] U.S. Cl. **D13/108**

[58] Field of Search **D13/107, 108;**
D14/149, 251; 328/2, 3, 4, 15

[56] **References Cited**

U.S. PATENT DOCUMENTS

- D. 328,889 8/1992 Seki D13/108
- D. 345,728 4/1994 Tyneski et al. D13/108
- D. 350,540 9/1994 Hyvonen D13/108 X
- D. 358,364 5/1995 Siddoway D13/108

- D. 358,821 5/1995 Hellier et al. D13/108 X
- D. 361,979 9/1995 Shirakawa et al. D13/108
- D. 368,892 4/1996 Tanaka D13/108
- 5,256,954 10/1993 Chen 320/2

Primary Examiner—Joel Sincavage
Attorney, Agent, or Firm—M. Mansour Ghomeshi

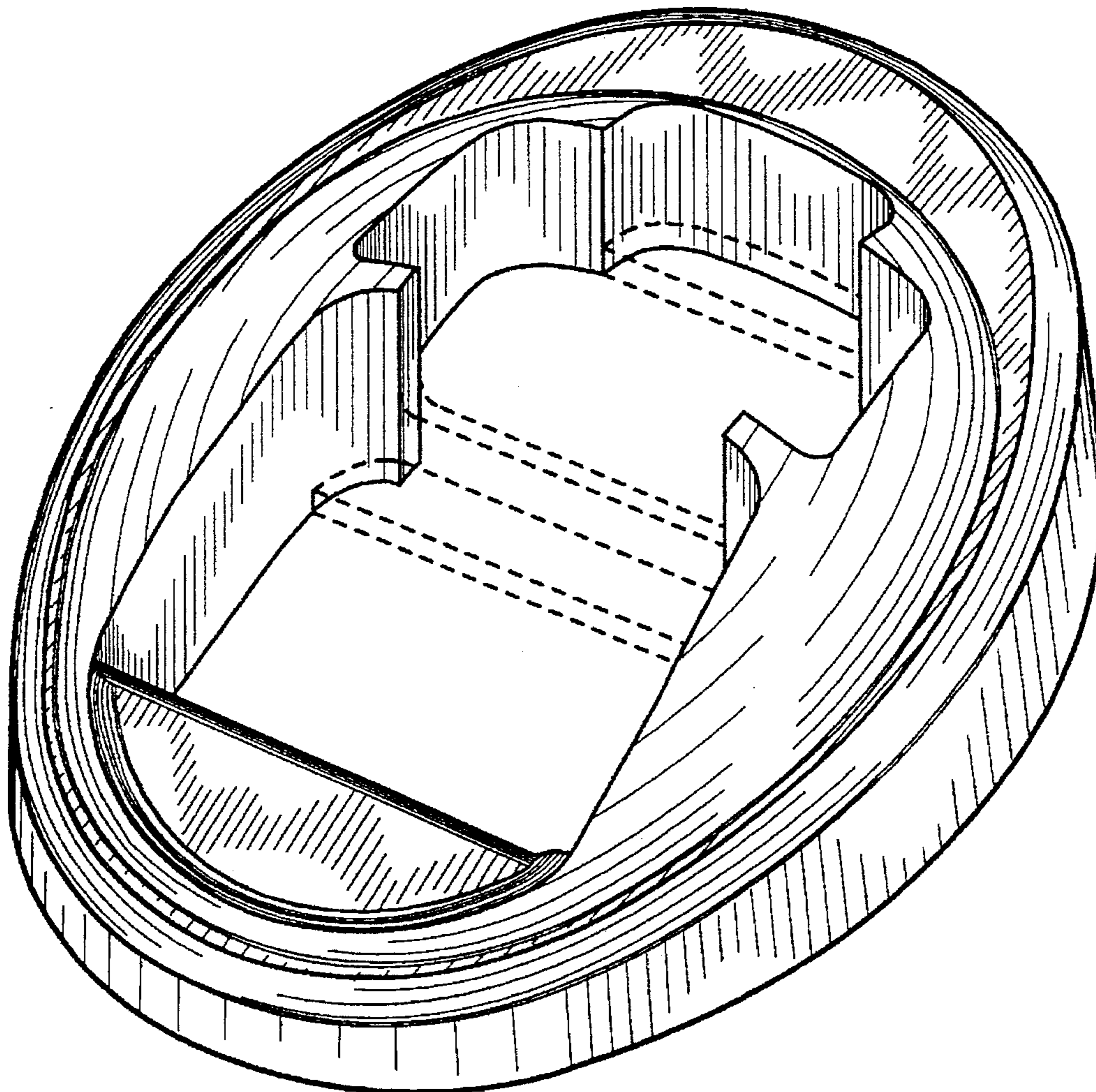
[57] **CLAIM**

The ornamental design for a top cover for a battery charger, as shown and described.

DESCRIPTION

FIG. 1 is a front isometric view showing our new design; FIG. 2 is a front elevational view showing our new design; FIG. 3 is a rear elevational view showing our new design; FIG. 4 is a right side elevational view showing our new design, thereof; and, FIG. 5 is a top plan view showing our new design. The broken lines shown in FIGS. 1 and 5 are included for the purpose of illustrating environmental elements only and form no part of the claimed design.

1 Claim, 5 Drawing Sheets



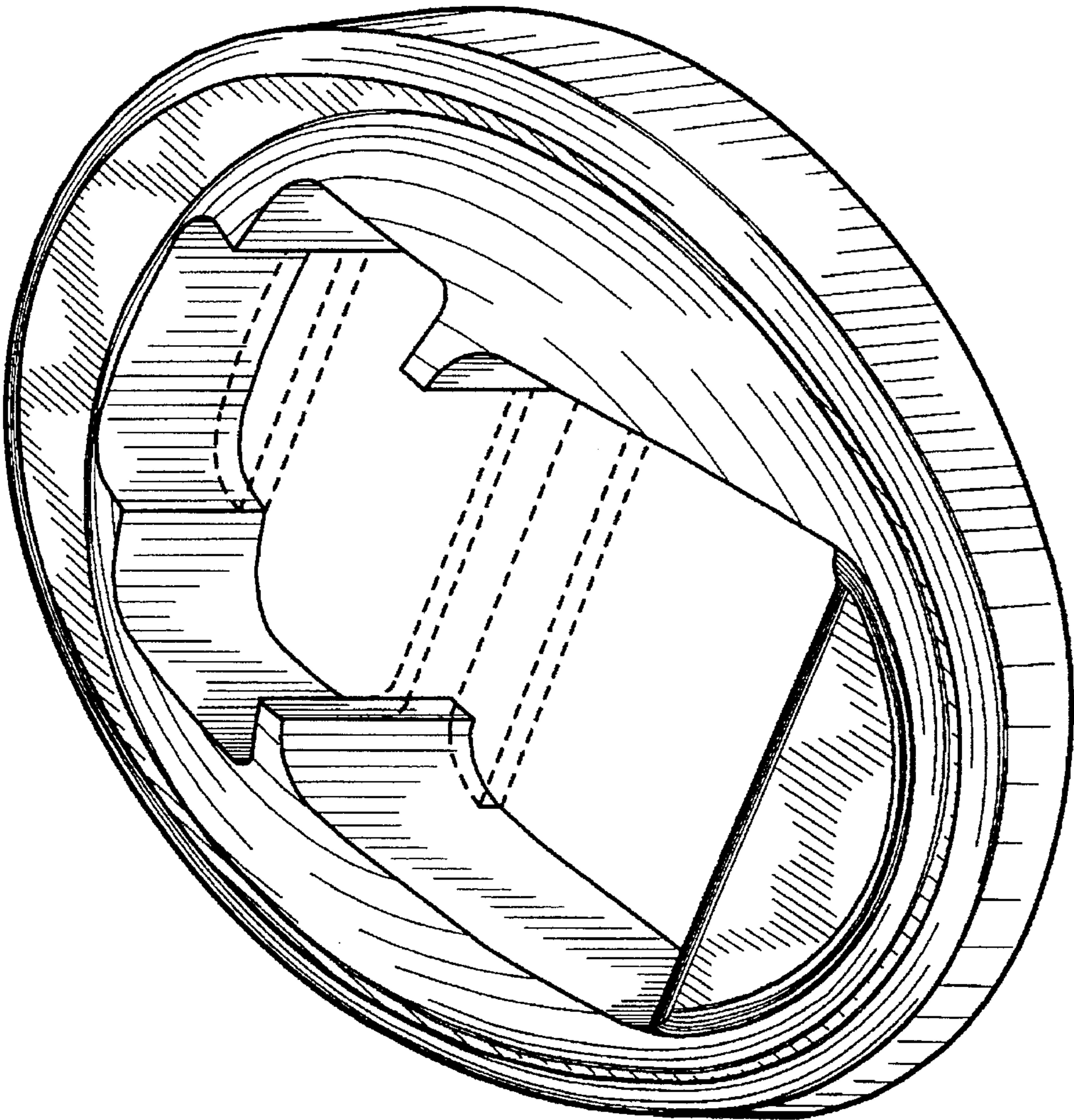


FIG. 1

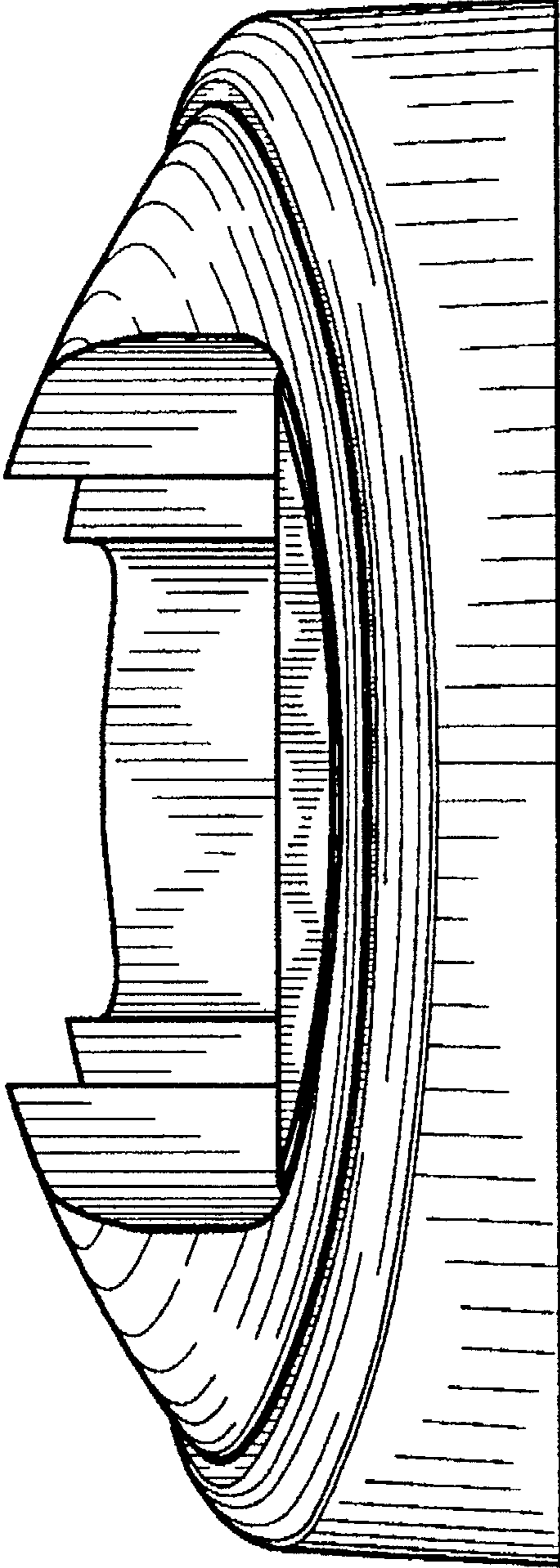


FIG. 2

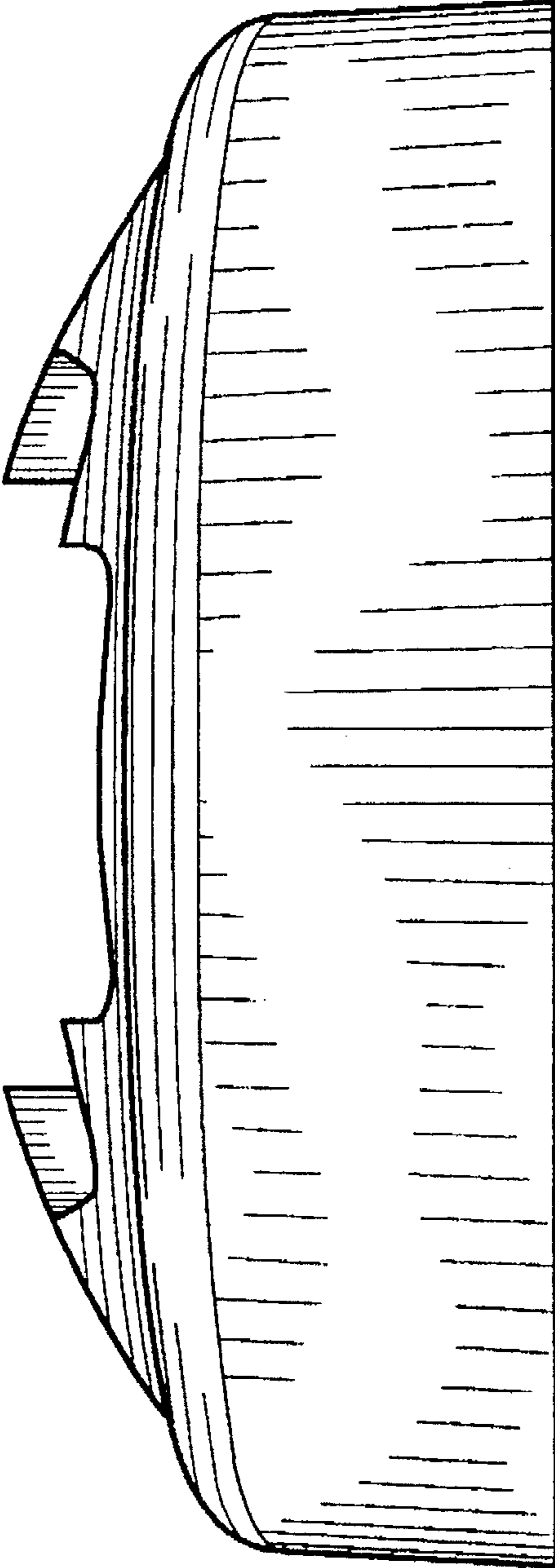


FIG. 3

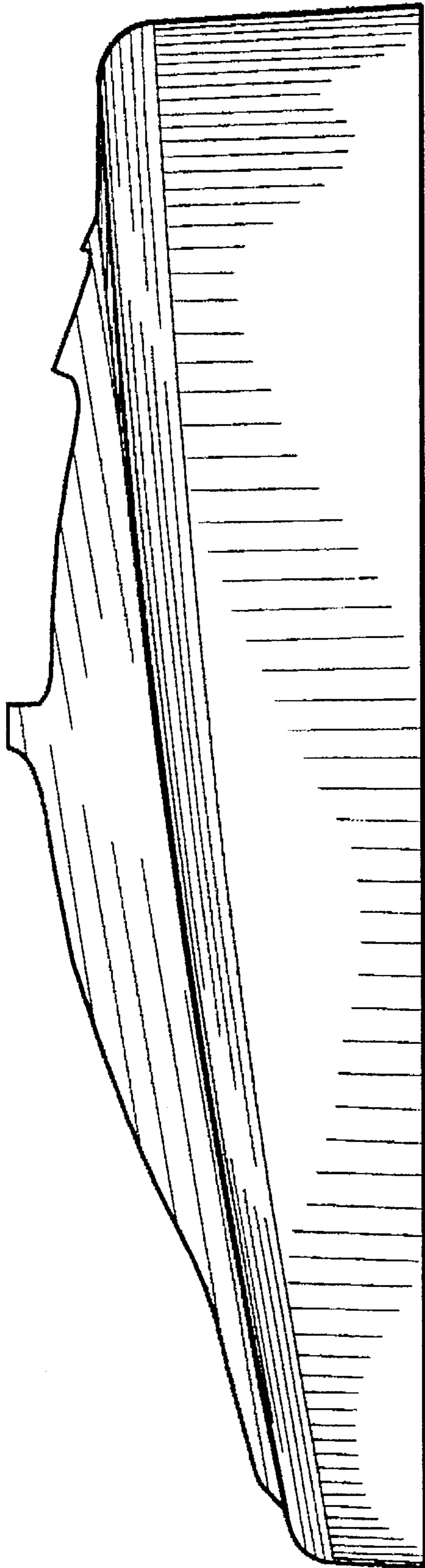


FIG. 4

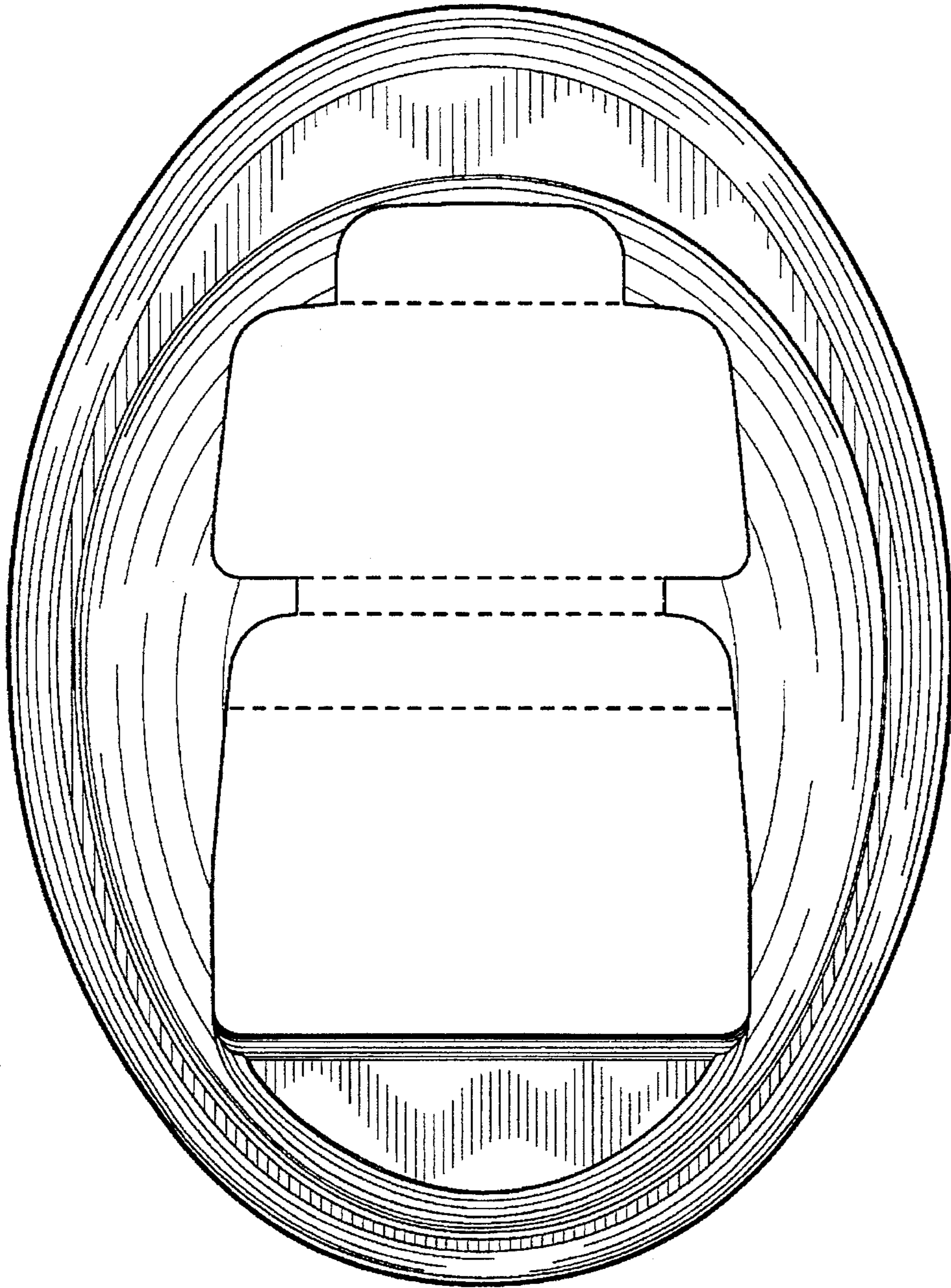


FIG. 5