



US00D380726S

# United States Patent [19] Coulter

[11] Patent Number: Des. 380,726  
[45] Date of Patent: \*\*Jul. 8, 1997

[54] ELECTRONIC BOAT DRAIN PLUG UNIT

[76] Inventor: Joe B. Coulter, Rte. 1, Box. 232E,  
Lockesburg, Ark. 71846

[\*\*] Term: 14 Years

[21] Appl. No.: 50,430

[22] Filed: Feb. 20, 1996

[51] LOC (6) Cl. .... 12-06

[52] U.S. Cl. .... D12/317

[58] Field of Search ..... D12/300, 317,  
D12/318; 114/197, 183 R

### [56] References Cited

#### U.S. PATENT DOCUMENTS

3,036,541	5/1962	Musick et al.	114/183 R
4,693,690	9/1987	Henderson	114/197
5,182,556	1/1993	Plost et al.	14/197

Primary Examiner—Kay H. Chin  
Attorney, Agent, or Firm—Harold H. Dutton, Jr.; W. Charles  
L. Jamison; Diane F. Liebman

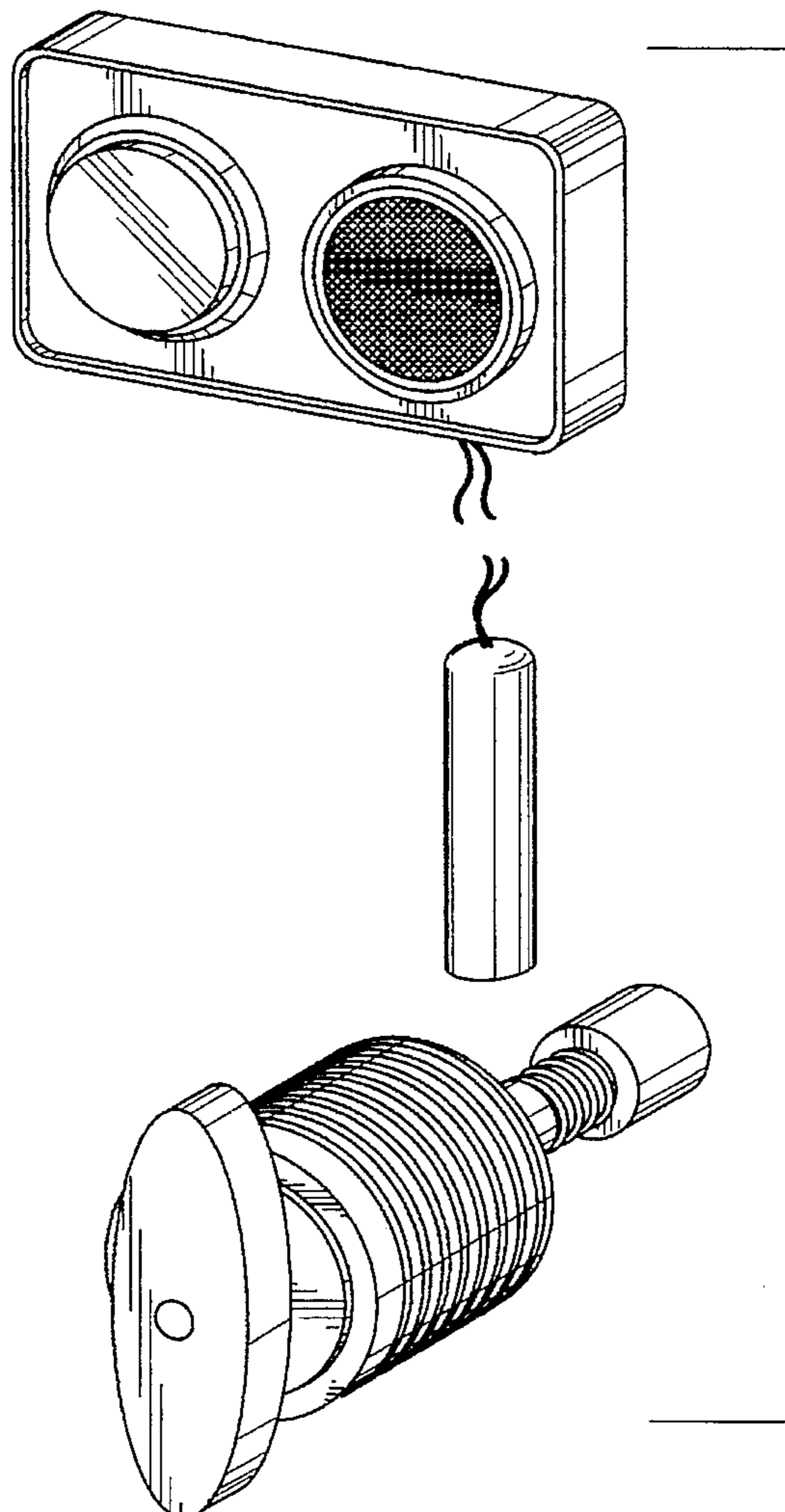
### [57] CLAIM

The ornamental design for an electronic boat drain plug unit,  
as shown and described.

### DESCRIPTION

FIG. 1 is a perspective view of a electronic boat drain plug unit showing my new design;  
FIG. 2 is a front view of the alarm portion thereof;  
FIG. 3 is a rear view thereof;  
FIG. 4 is a right side view thereof;  
FIG. 5 is a left side view thereof;  
FIG. 6 is a top view thereof;  
The bottom view is a mirror image thereof;  
FIG. 7 is a side view of the magnetic sensor portion thereof;  
All other side views are mirror images thereof;  
FIG. 8 is a bottom view thereof;  
FIG. 9 is a top view thereof;  
FIG. 10 is a right side view of the plug portion thereof;  
The left side view is a mirror image thereof;  
FIG. 11 is a top view thereof;  
The bottom view is a mirror image thereof;  
FIG. 12 is a front view thereof; and,  
FIG. 13 is a rear view thereof.

1 Claim, 6 Drawing Sheets



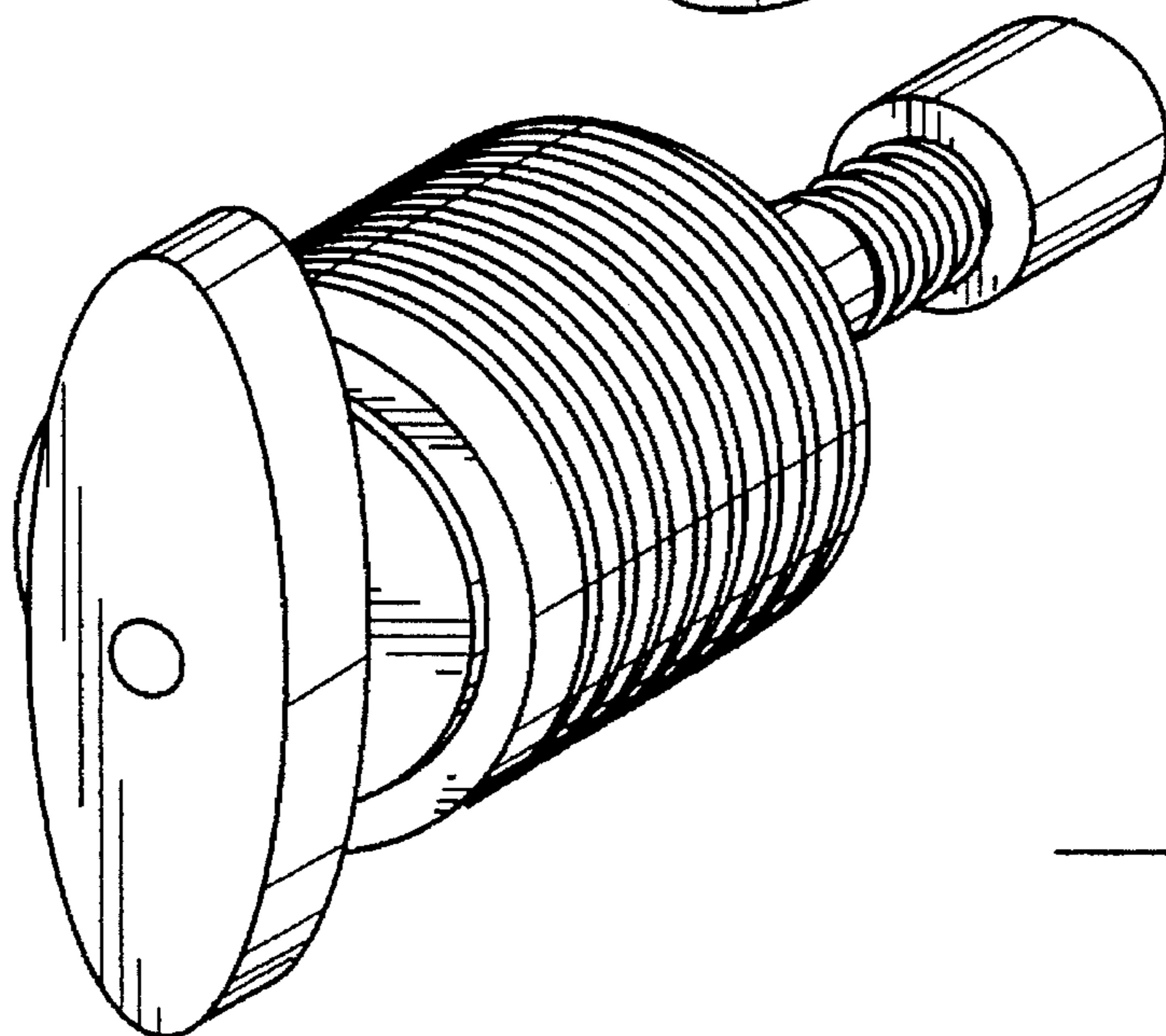
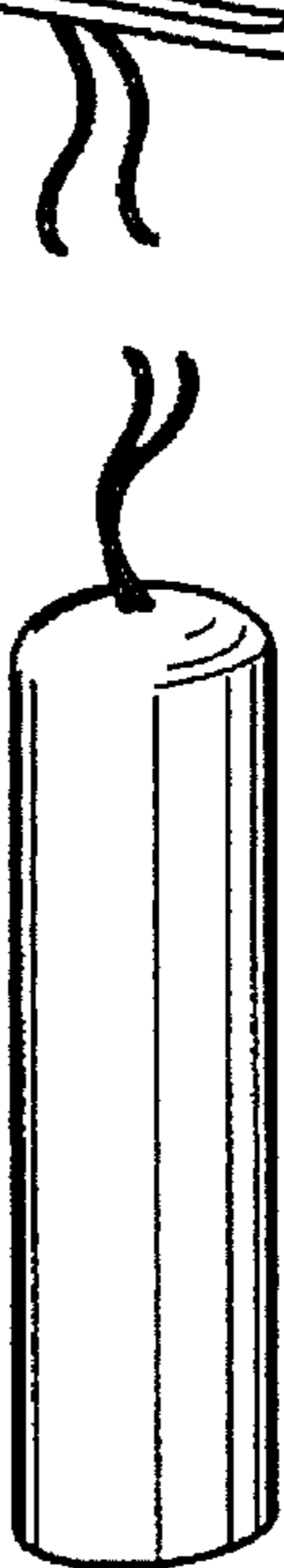
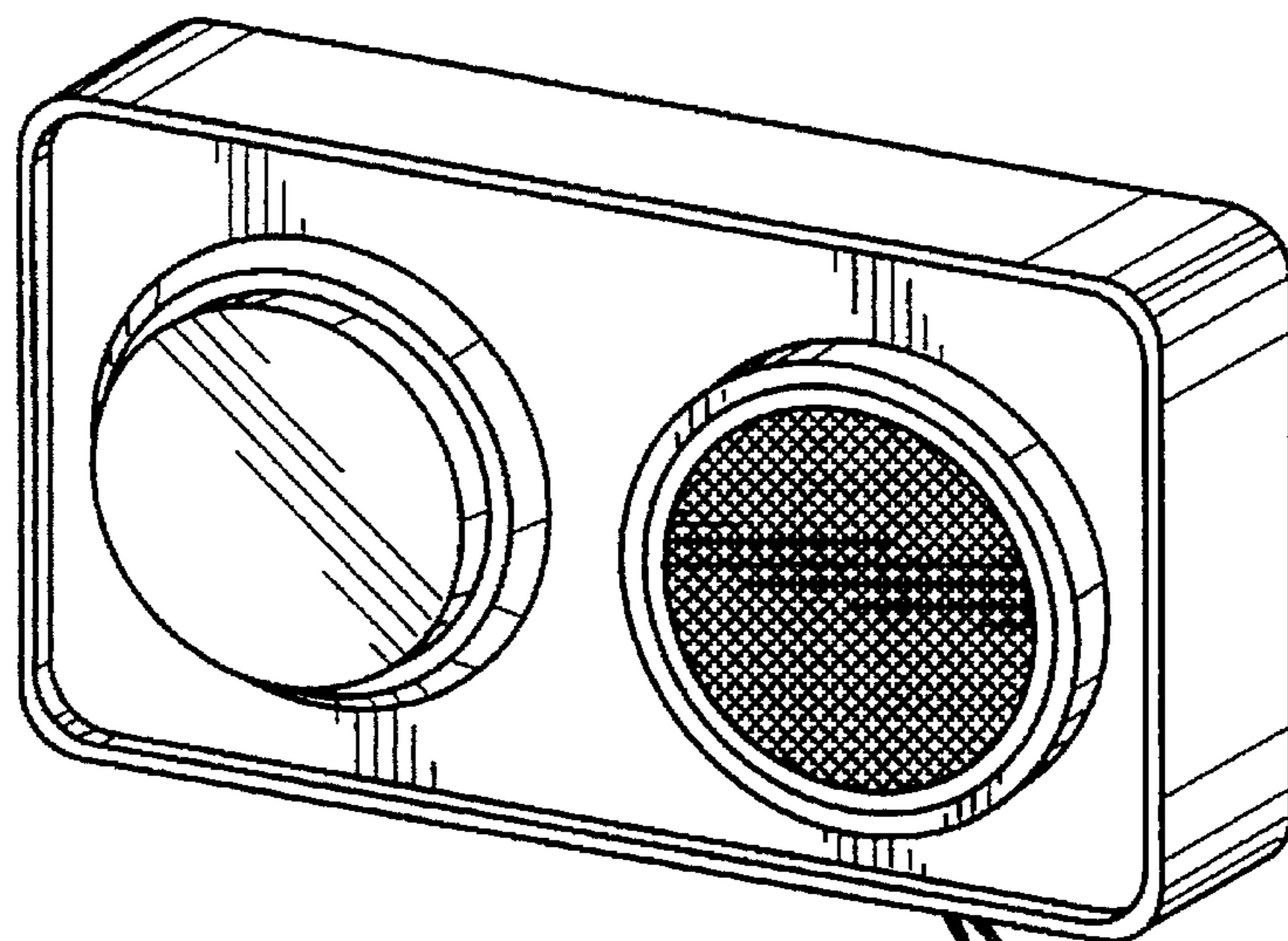


FIG. 1

FIG. 2

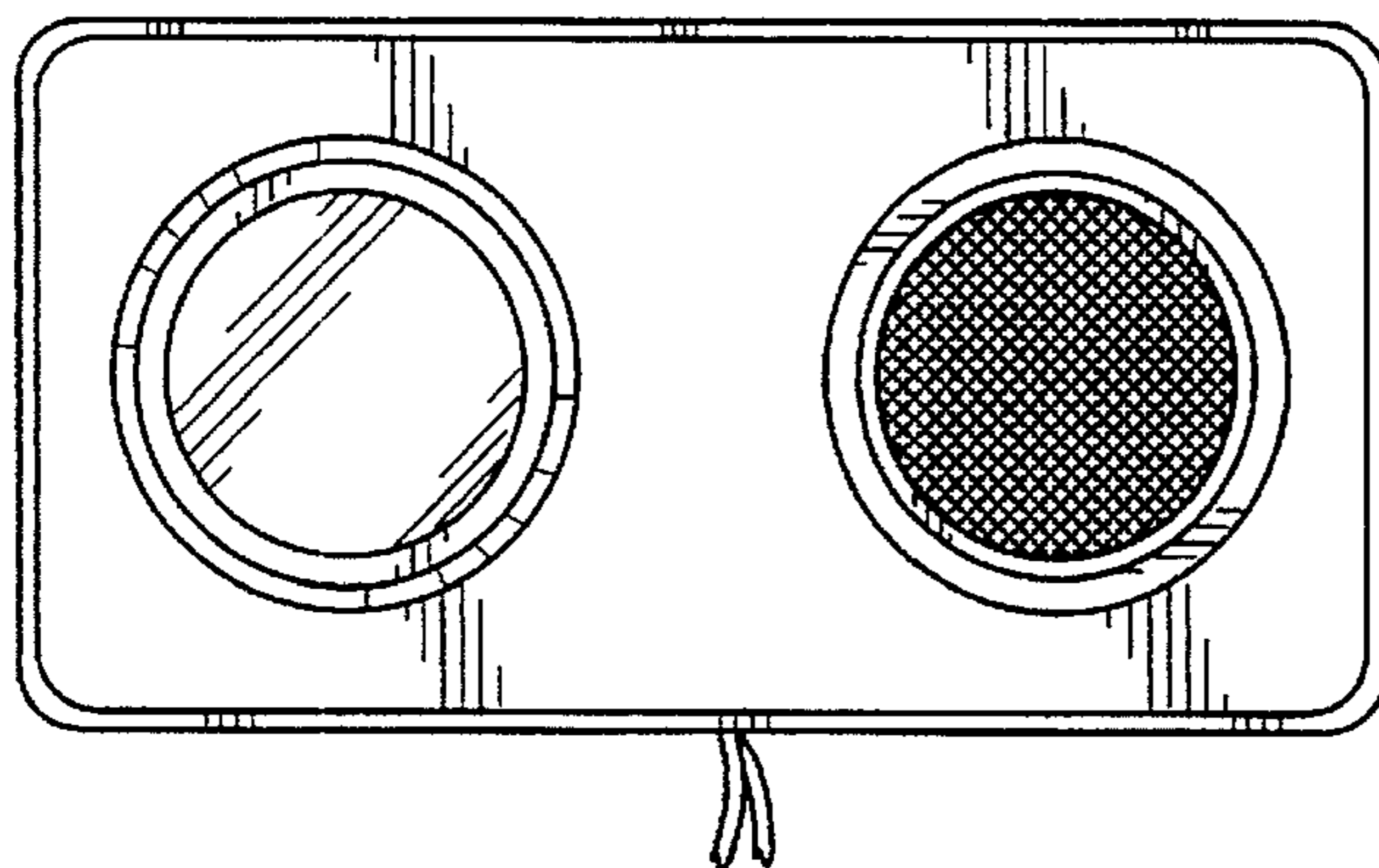
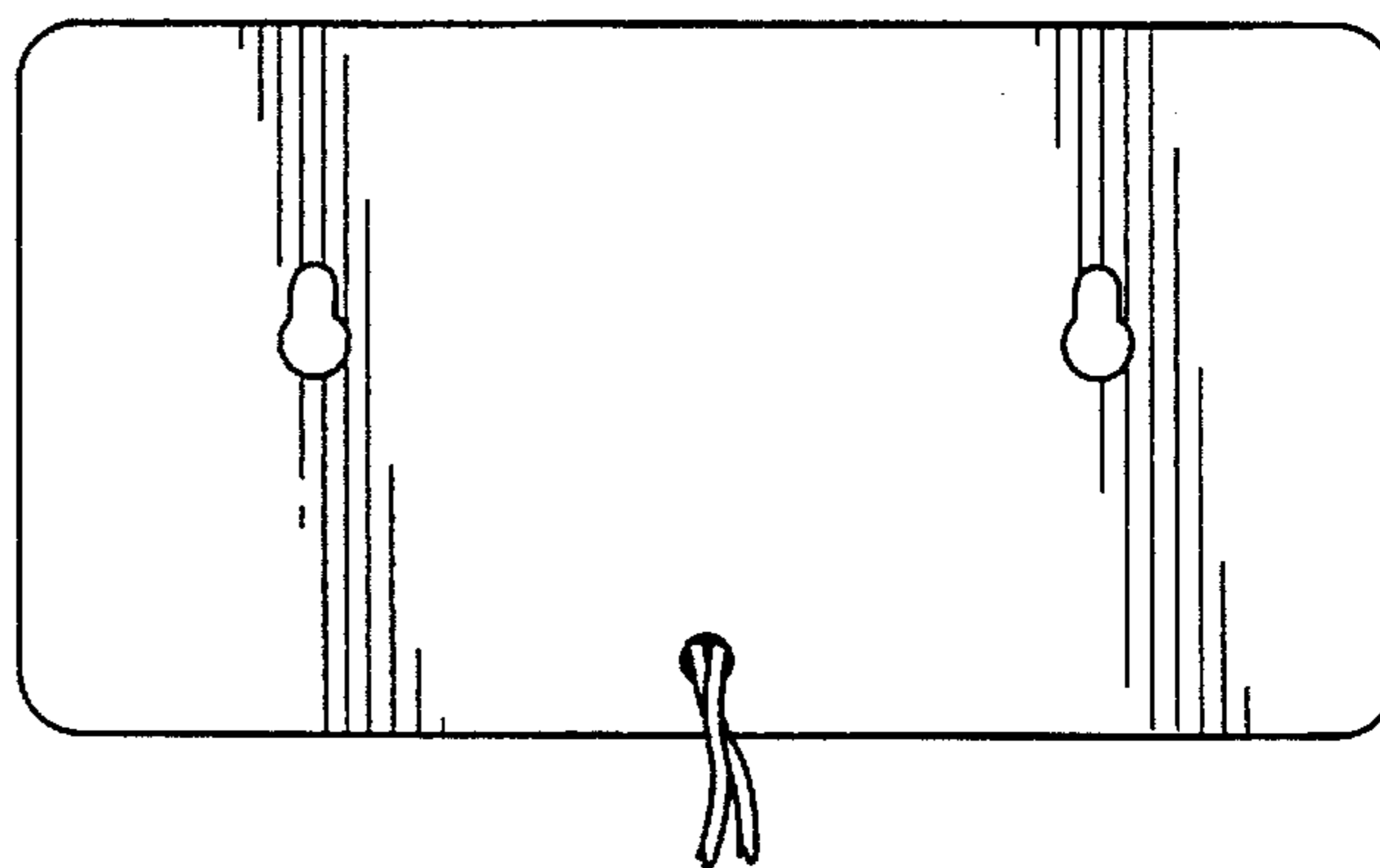


FIG. 3



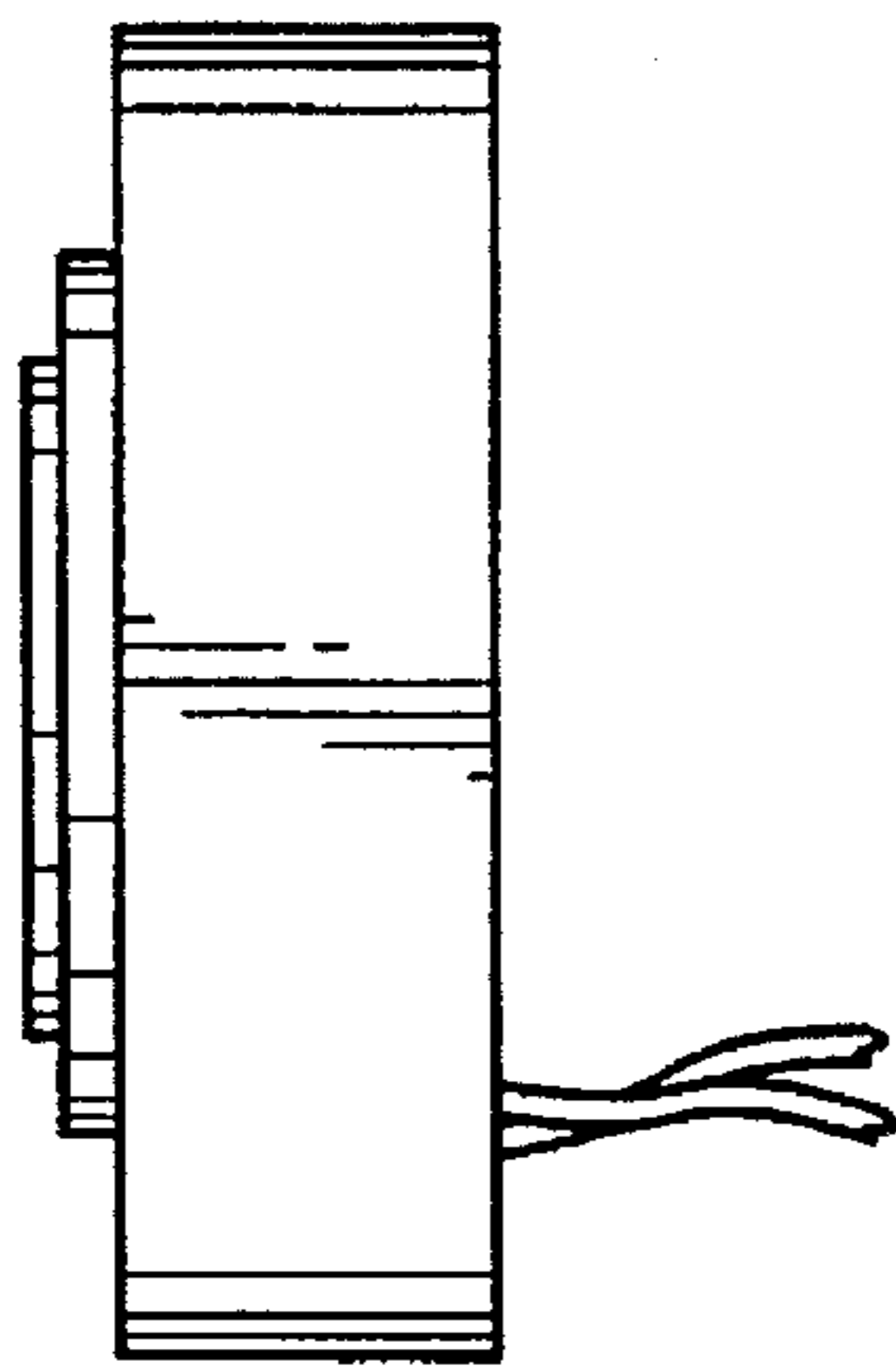


FIG. 4

FIG. 5

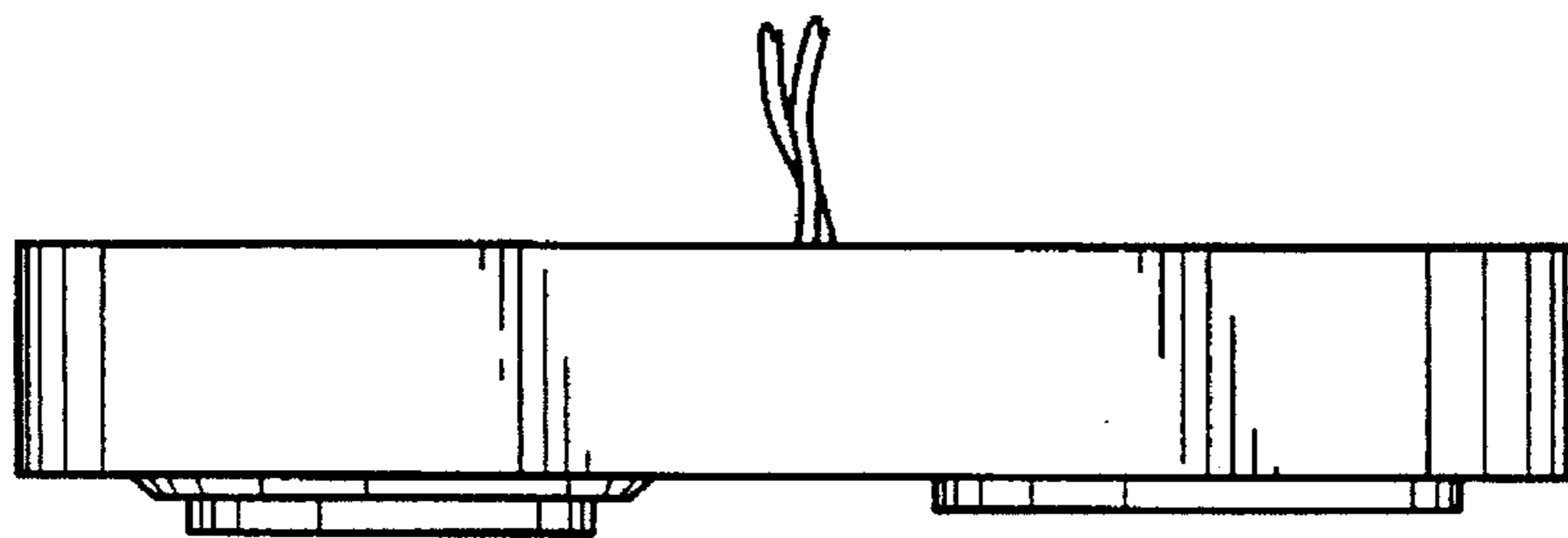
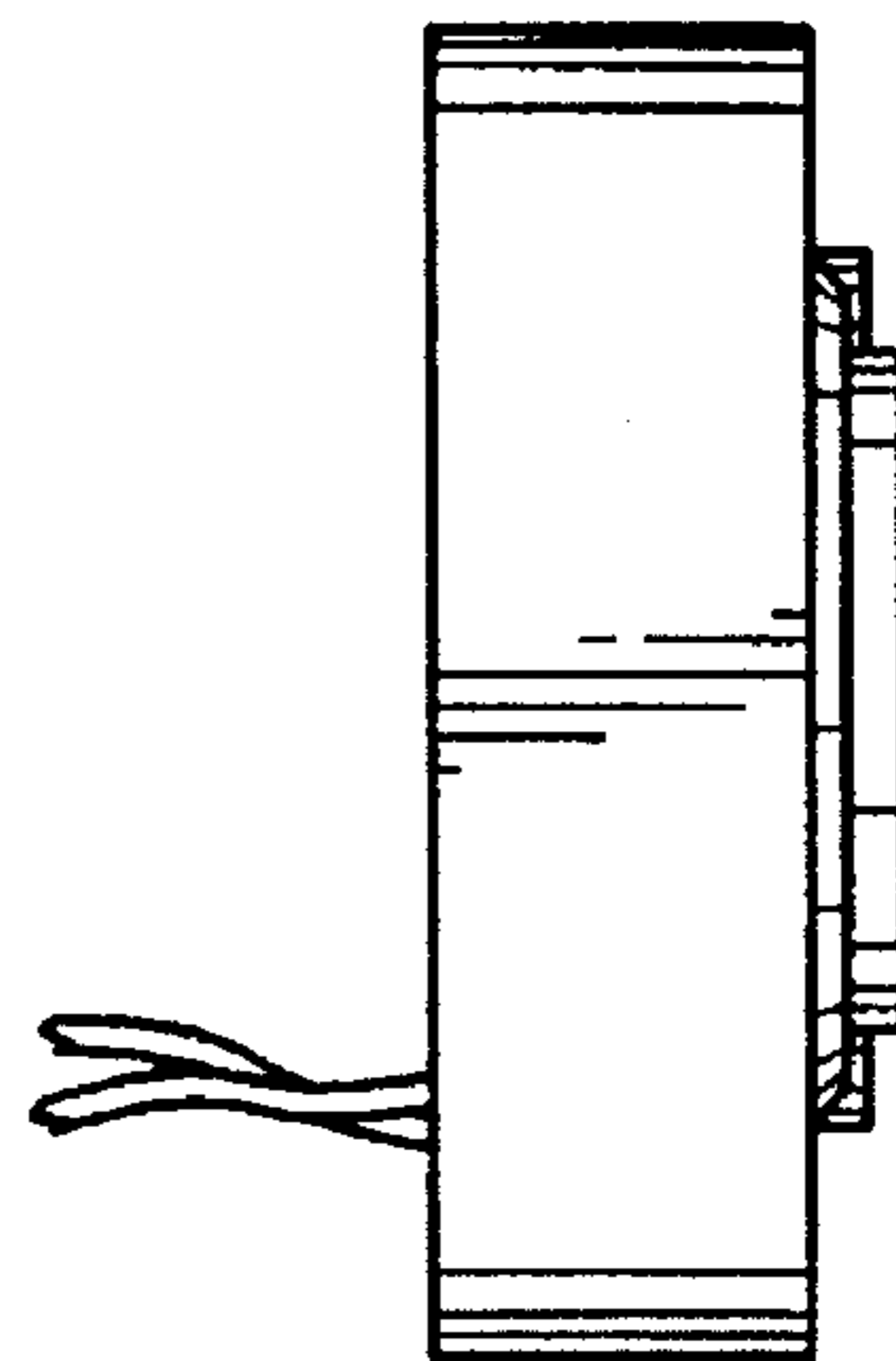


FIG. 6

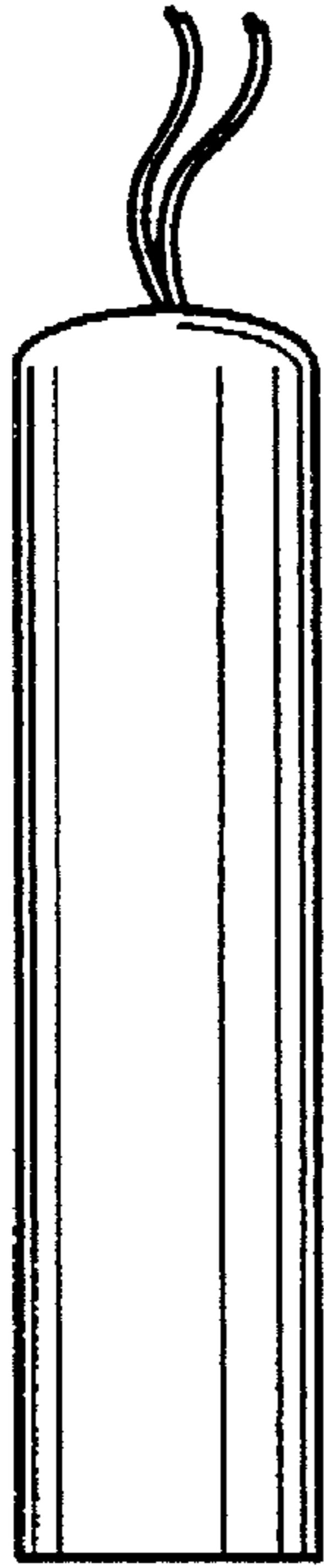


FIG. 7



FIG. 8



FIG. 9

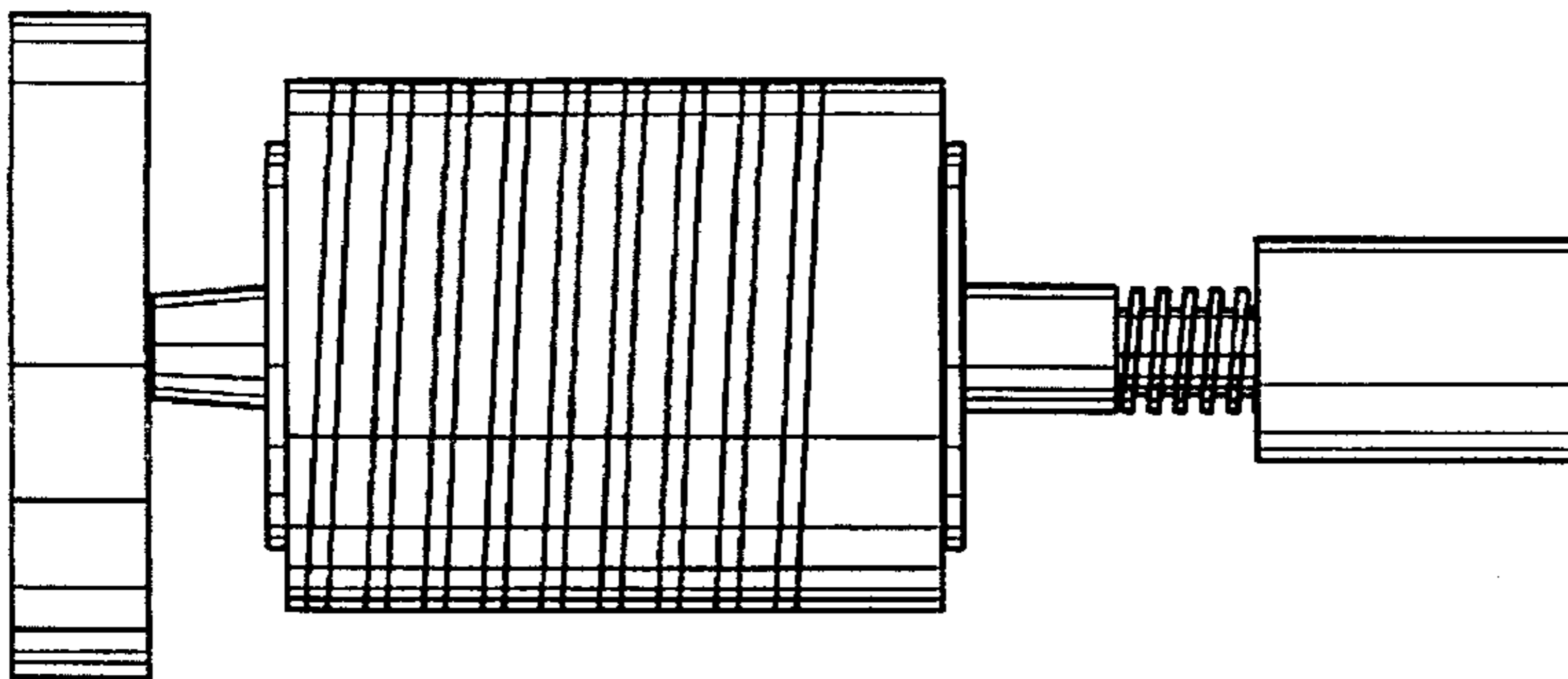


FIG. 10

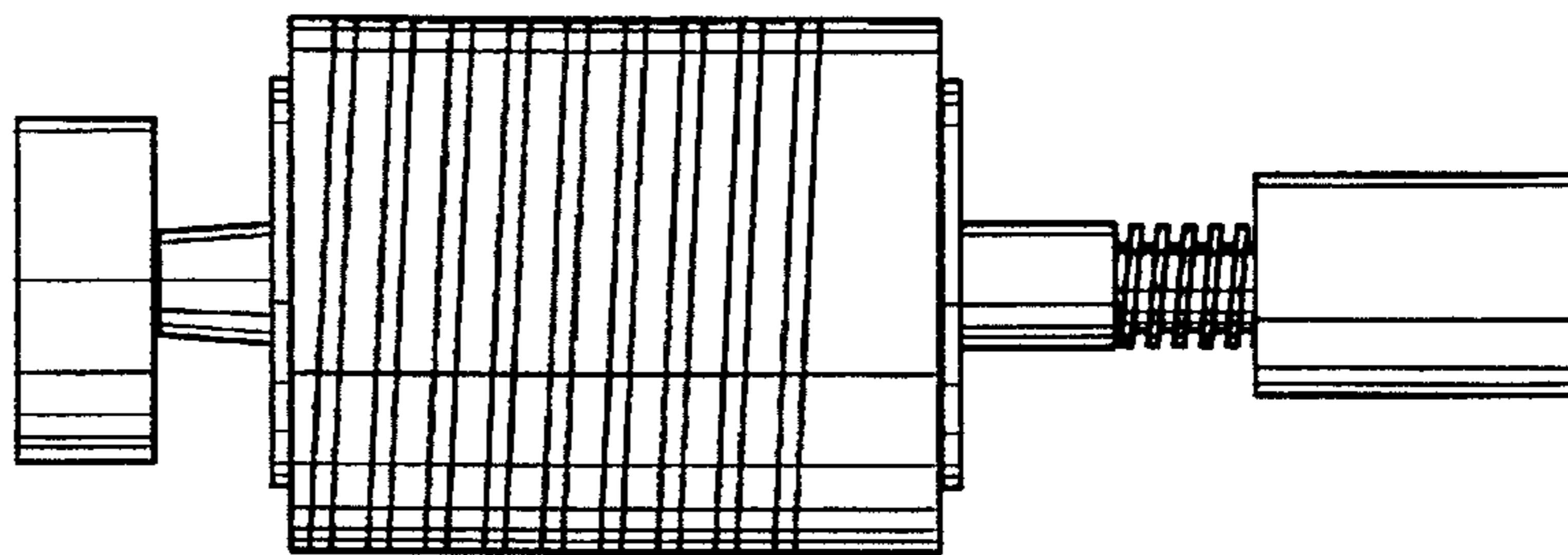


FIG. 11

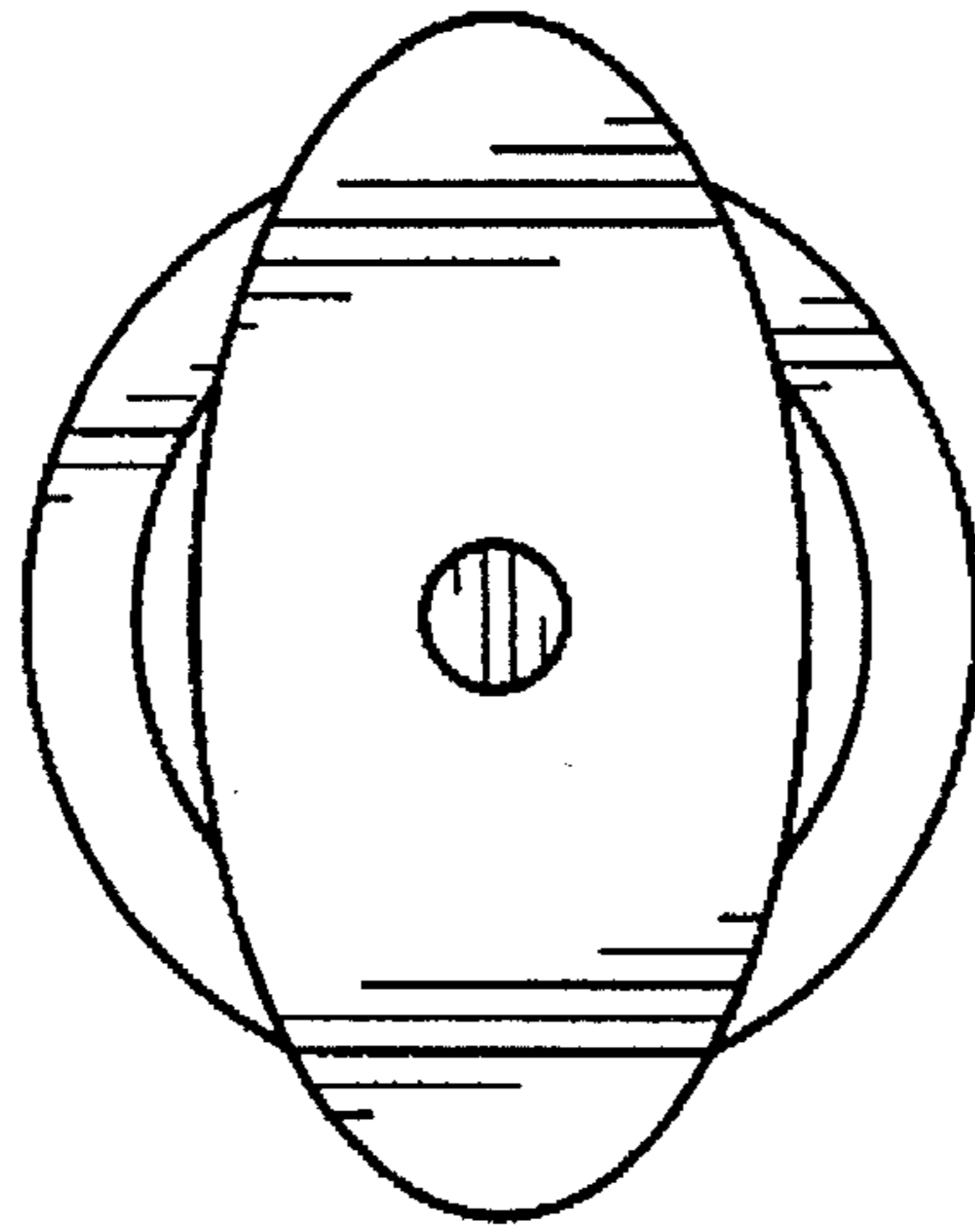


FIG. 12

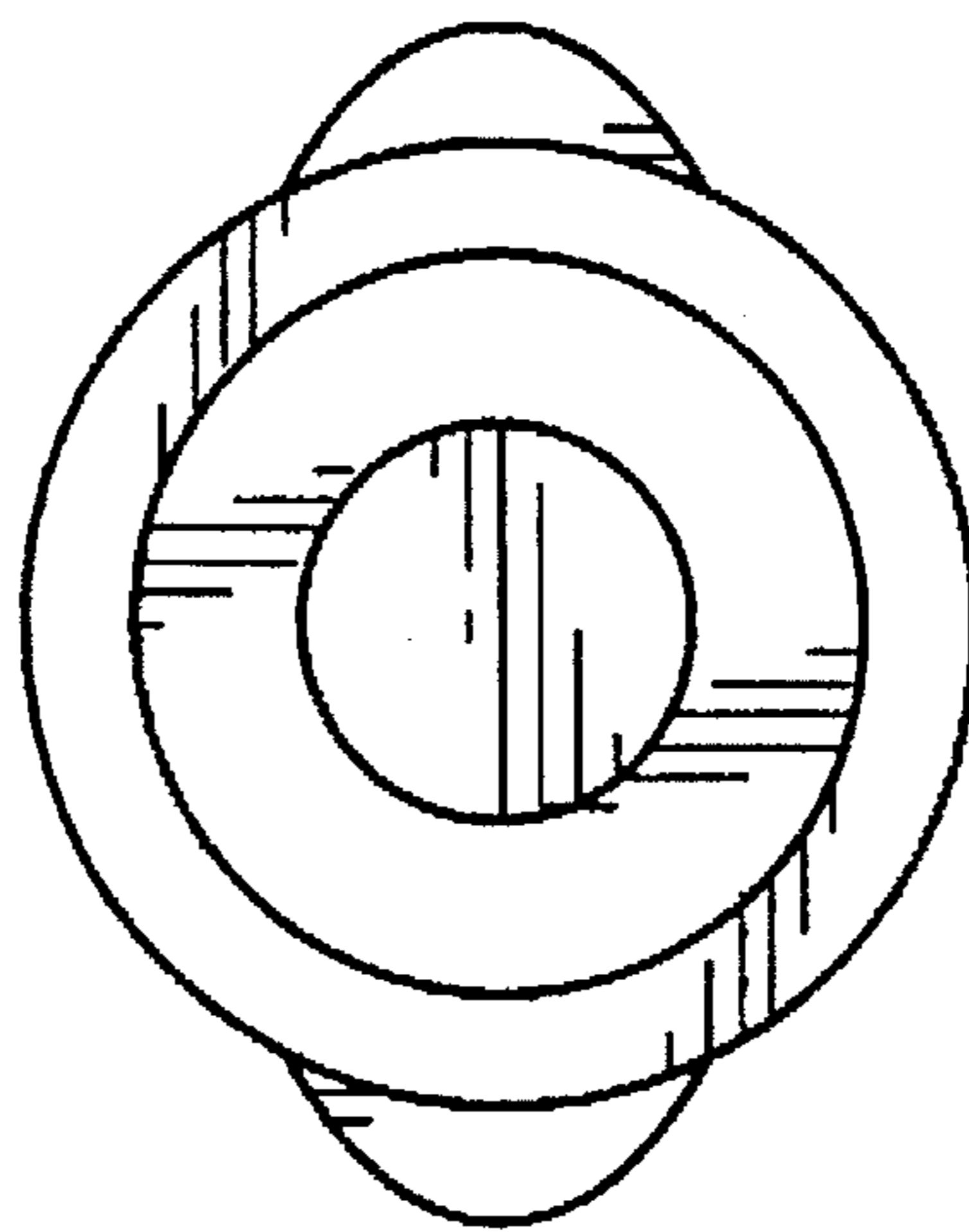


FIG. 13