



US00D380723S

# United States Patent [19]

Burton et al.

[11] Patent Number: **Des. 380,723**

[45] Date of Patent: **\*\*Jul. 8, 1997**

## [54] TRUCK TAILGATE

[76] Inventors: **Bruce O. Burton**, 3519 E. 17th Ave., Spokane, Wash. 99223; **Robert P. Sargent**, 11113 E. 38th Ave., Spokane, Wash. 99206

[\*\*] Term: **14 Years**

[21] Appl. No.: **51,614**

[22] Filed: **Mar. 14, 1996**

[51] LOC (6) Cl. .... **12-16**

[52] U.S. Cl. .... **D12/196**

[58] Field of Search ..... D12/196, 414; 296/3, 50, 51, 56, 57.1

## [56] References Cited

### U.S. PATENT DOCUMENTS

D. 249,677	9/1978	Cline .....	D12/196
D. 365,323	12/1995	Napierkowski et al. ....	D12/196
4,750,777	6/1988	Brammer .....	296/50
4,889,378	12/1989	Sims .....	296/57.1
5,116,096	5/1992	Taylor .....	296/3
5,117,532	6/1992	Holland .....	296/50
5,154,470	10/1992	Bringham, Jr. ....	296/26

### OTHER PUBLICATIONS

Flo-Thru Brochure showing a tailgate on sale prior to Mar. 14, 1995.

Primary Examiner—Melody N. Brown

Attorney, Agent, or Firm—Wells, St. John, Roberts, Gregory & Matkin, P.S.

## [57] CLAIM

The ornamental design for a truck tailgate, as shown and described.

## DESCRIPTION

FIG. 1 is a perspective view of a truck tailgate showing our new design;

FIG. 2 is a rear view thereof;

FIG. 3 is a bottom plan view;

FIG. 4 is a top plan view thereof;

FIG. 5 is a right side view thereof, the opposite side being a mirror image;

FIG. 6 is a perspective view of a truck tailgate showing a second embodiment thereof;

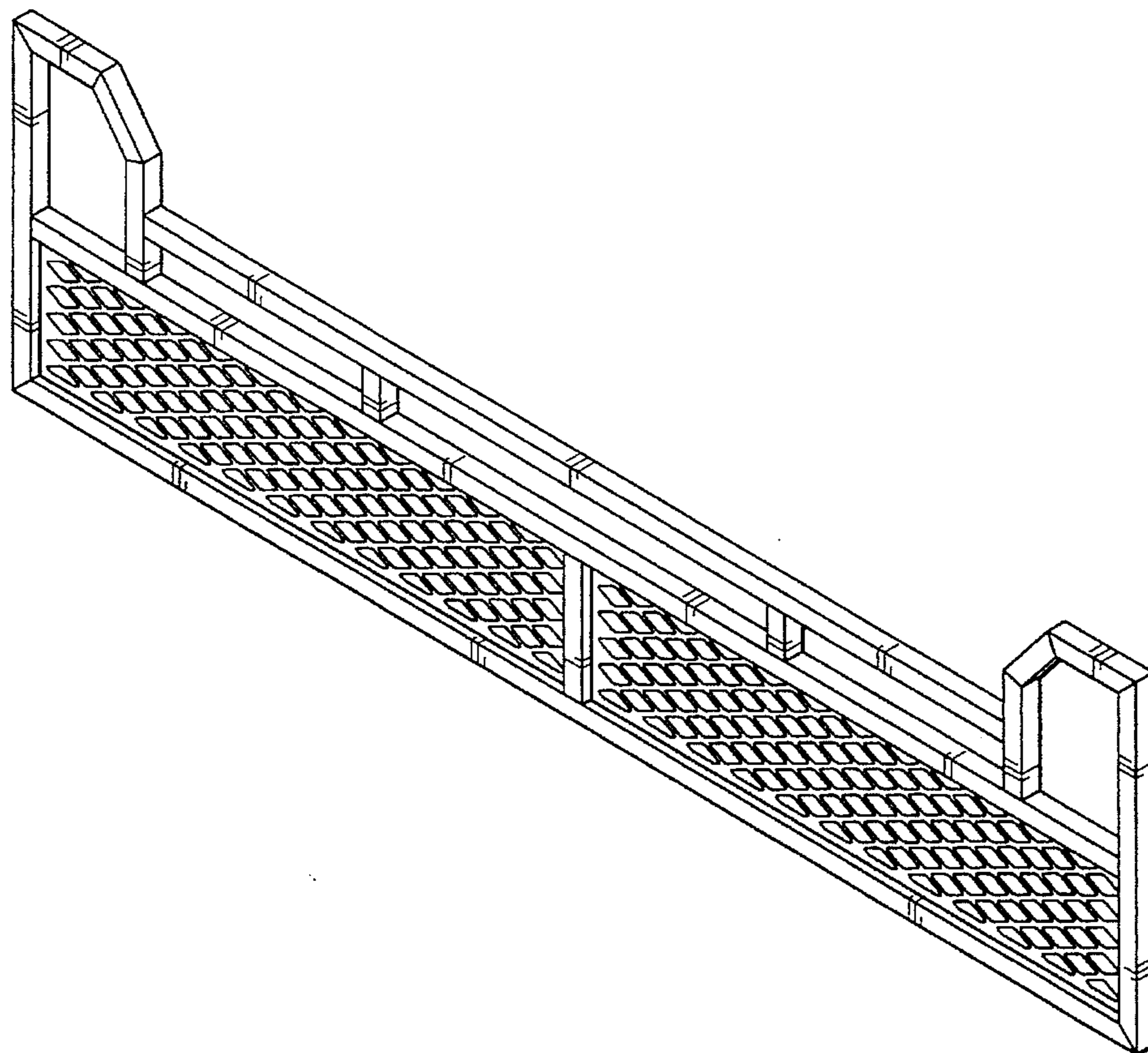
FIG. 7 is a rear elevation view of FIG. 6;

FIG. 8 is a bottom plan view of FIG. 6;

FIG. 9 is a top plan view of FIG. 6; and,

FIG. 10 is a right side view of FIG. 6, the opposite side being a mirror image.

1 Claim, 4 Drawing Sheets



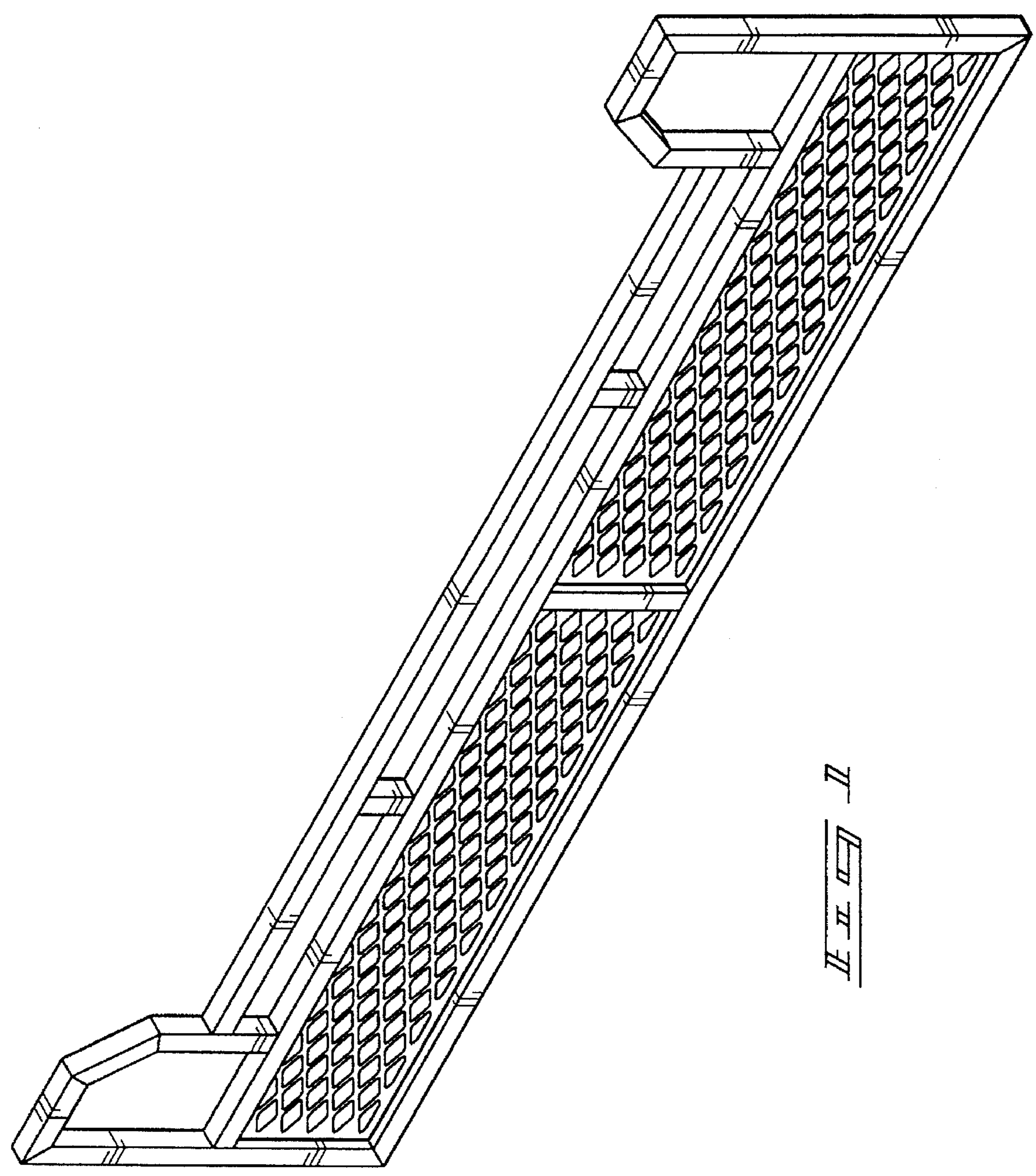
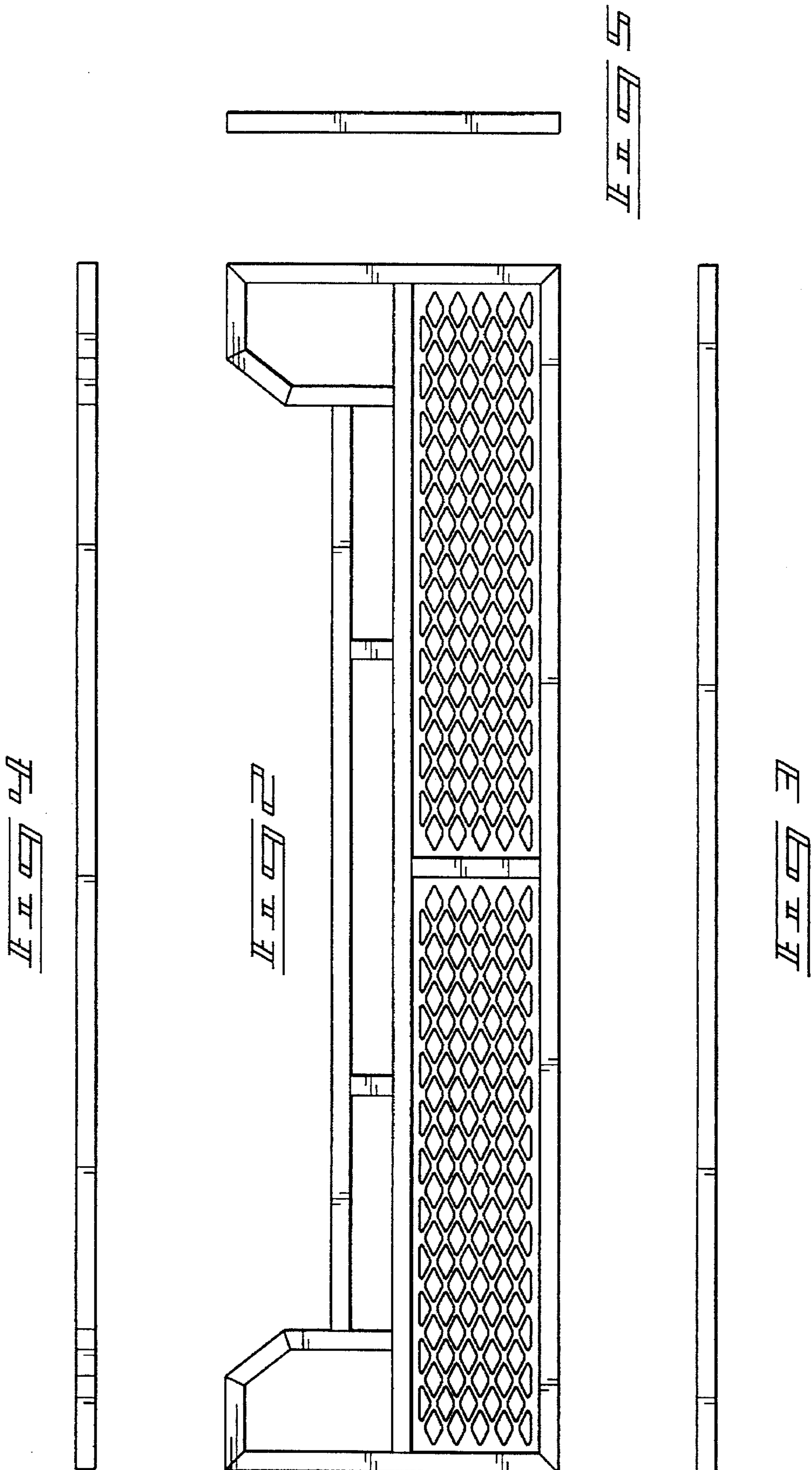


Fig. 1



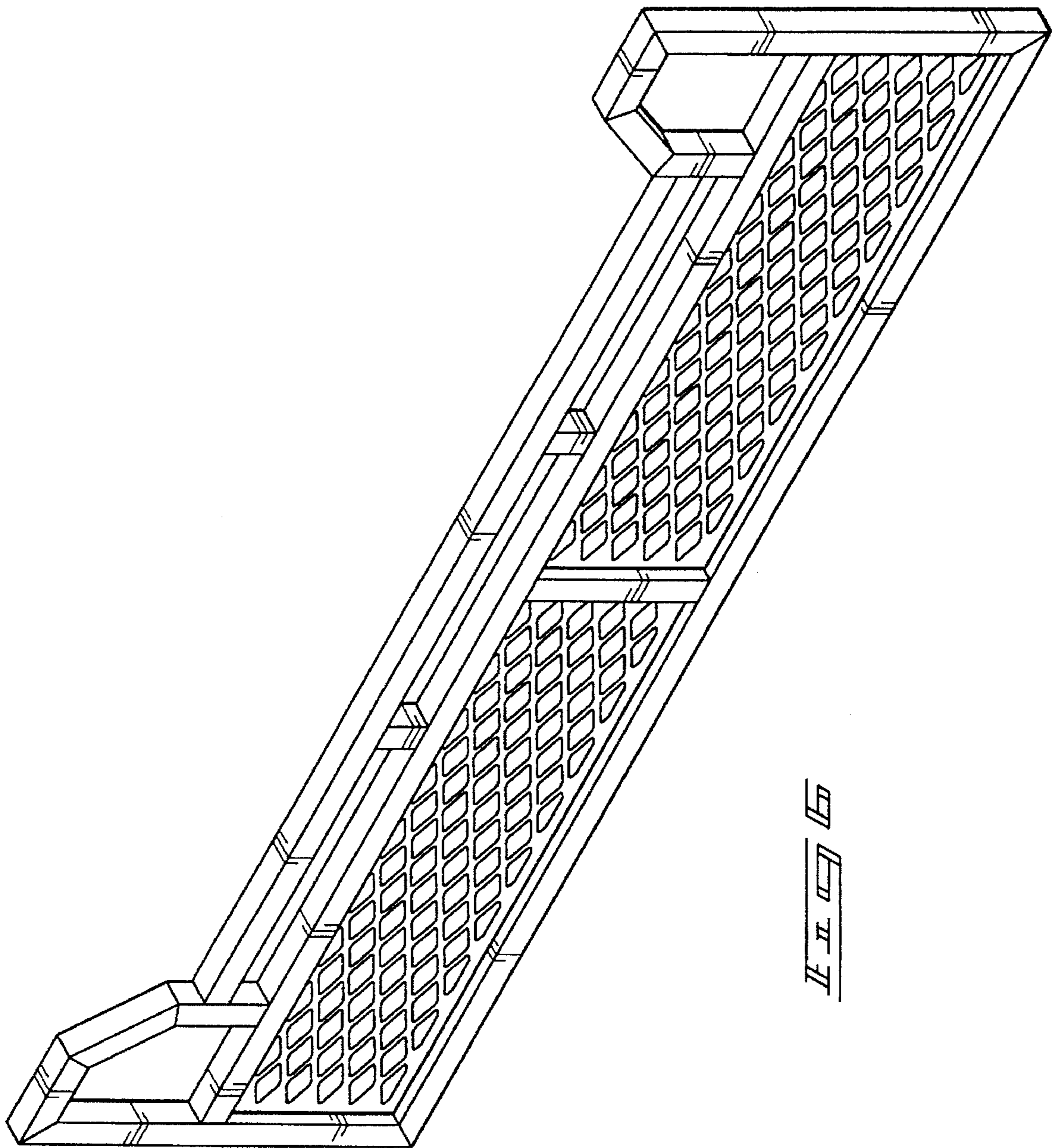


Fig. 1



Fig. 2

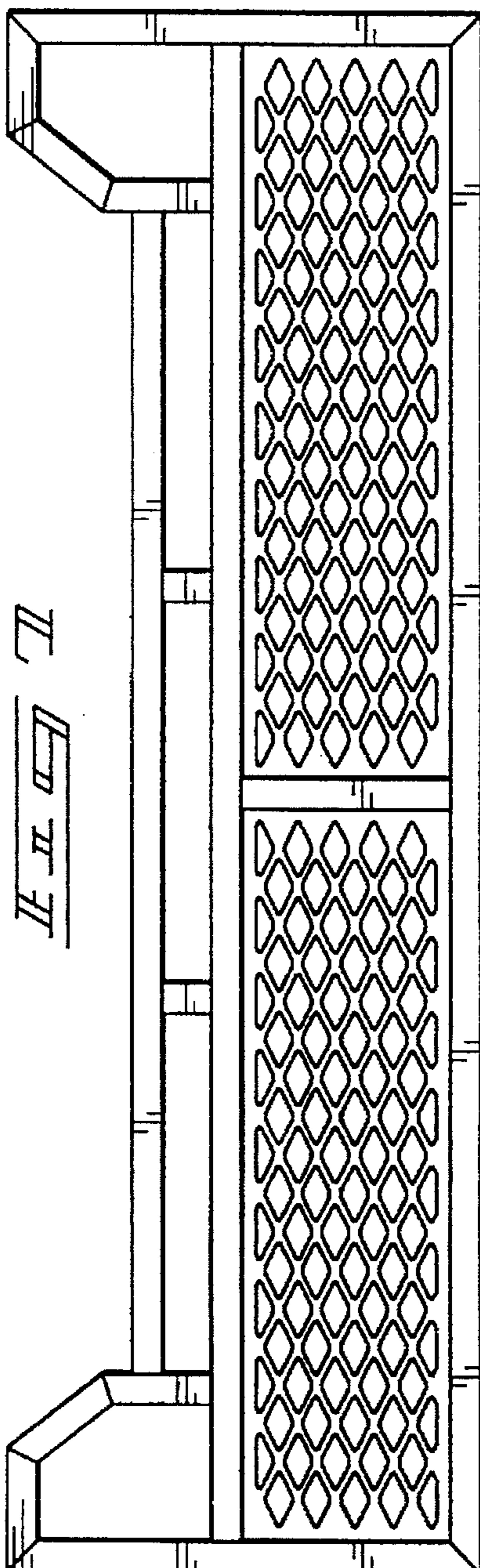


Fig. 3



Fig. 4

