



US00D380722S

United States Patent [19]

Burton et al.

[11] Patent Number: **Des. 380,722**

[45] Date of Patent: ****Jul. 8, 1997**

[54] TRUCK TAILGATE

[76] Inventors: **Bruce O. Burton**, 3519 E. 17th Ave.,
Spokane, Wash. 99223; **Robert P. Sargent**, 11113 E. 38th Ave., Spokane,
Wash. 99206

[**] Term: **14 Years**

[21] Appl. No.: **51,613**

[22] Filed: **Mar. 14, 1996**

[51] LOC (6) Cl. **12-16**

[52] U.S. Cl. **D12/196**

[58] Field of Search D12/196, 414;
296/3, 50, 51, 56, 57.1

[56] References Cited

U.S. PATENT DOCUMENTS

D. 249,677	9/1978	Cline	D12/196
D. 365,323	12/1995	Napierkowski et al.	D12/196
4,750,777	6/1988	Brammer	296/50
4,889,378	12/1989	Sims	296/57.1
5,116,096	5/1992	Taylor	296/3
5,117,532	6/1992	Holland	296/50
5,154,470	10/1992	Bringham, Jr.	296/26

OTHER PUBLICATIONS

Flo-Thru Brochure showing a tailgate on sale prior to Mar. 14, 1995.

Primary Examiner—Melody N. Brown

Attorney, Agent, or Firm—Wells, St. John, Roberts, Gregory & Matkin, P.S.

[57] CLAIM

The ornamental design for a truck tailgate, as shown and described.

DESCRIPTION

FIG. 1 is a perspective view of a truck tailgate showing our new design;

FIG. 2 is a rear view thereof;

FIG. 3 is bottom plan view thereof;

FIG. 4 is a top plan view thereof;

FIG. 5 is a right side view thereof, the opposite side being a mirror image;

FIG. 6 is a perspective view of a truck tailgate showing a second embodiment thereof;

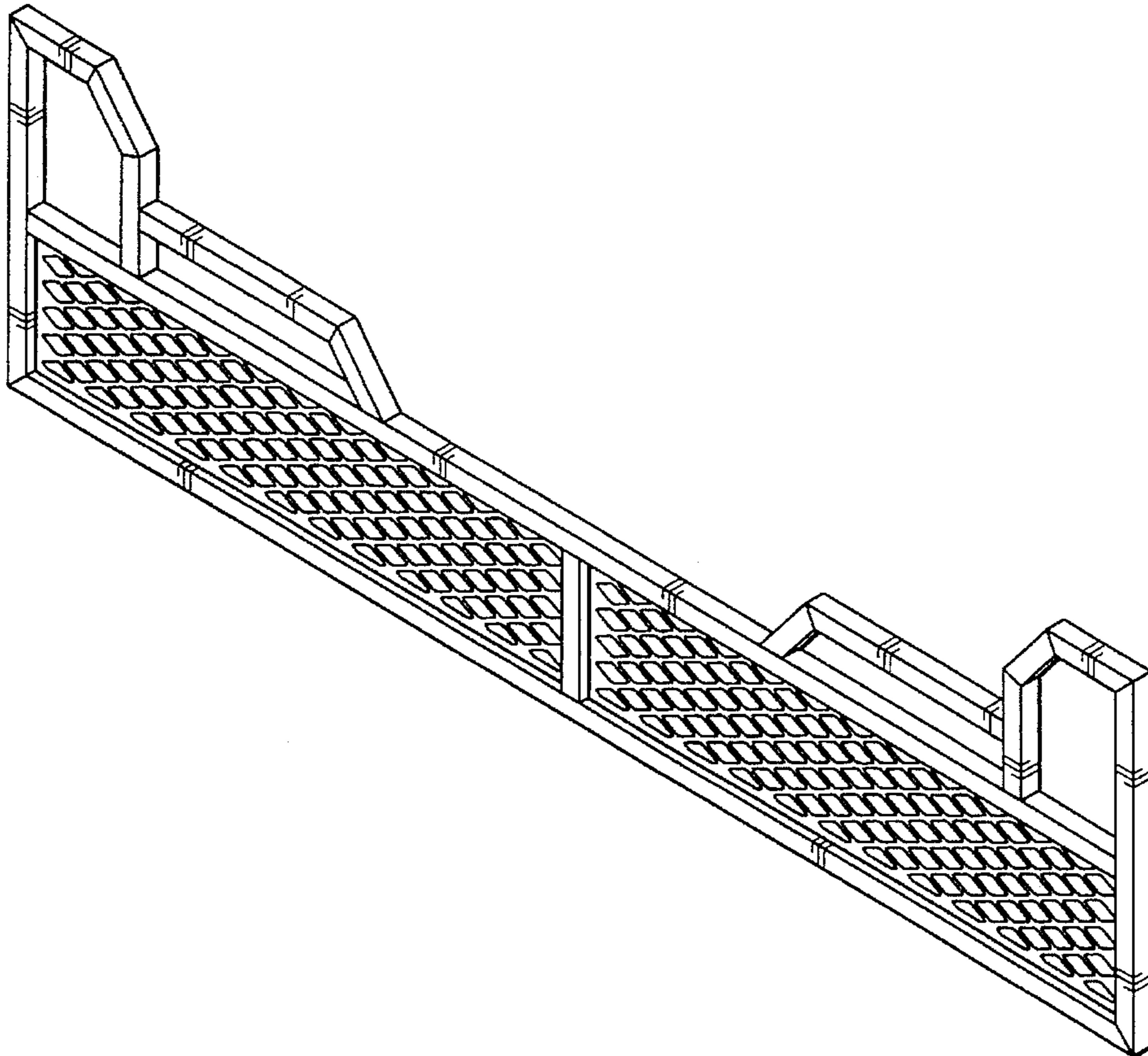
FIG. 7 is a rear elevation view of FIG. 6 ;

FIG. 8 is a bottom plan view of FIG. 6 ;

FIG. 9 is a top plan view of FIG. 6; and,

FIG. 10 is a right side view of FIG. 6, the opposite side being a mirror image.

1 Claim, 4 Drawing Sheets



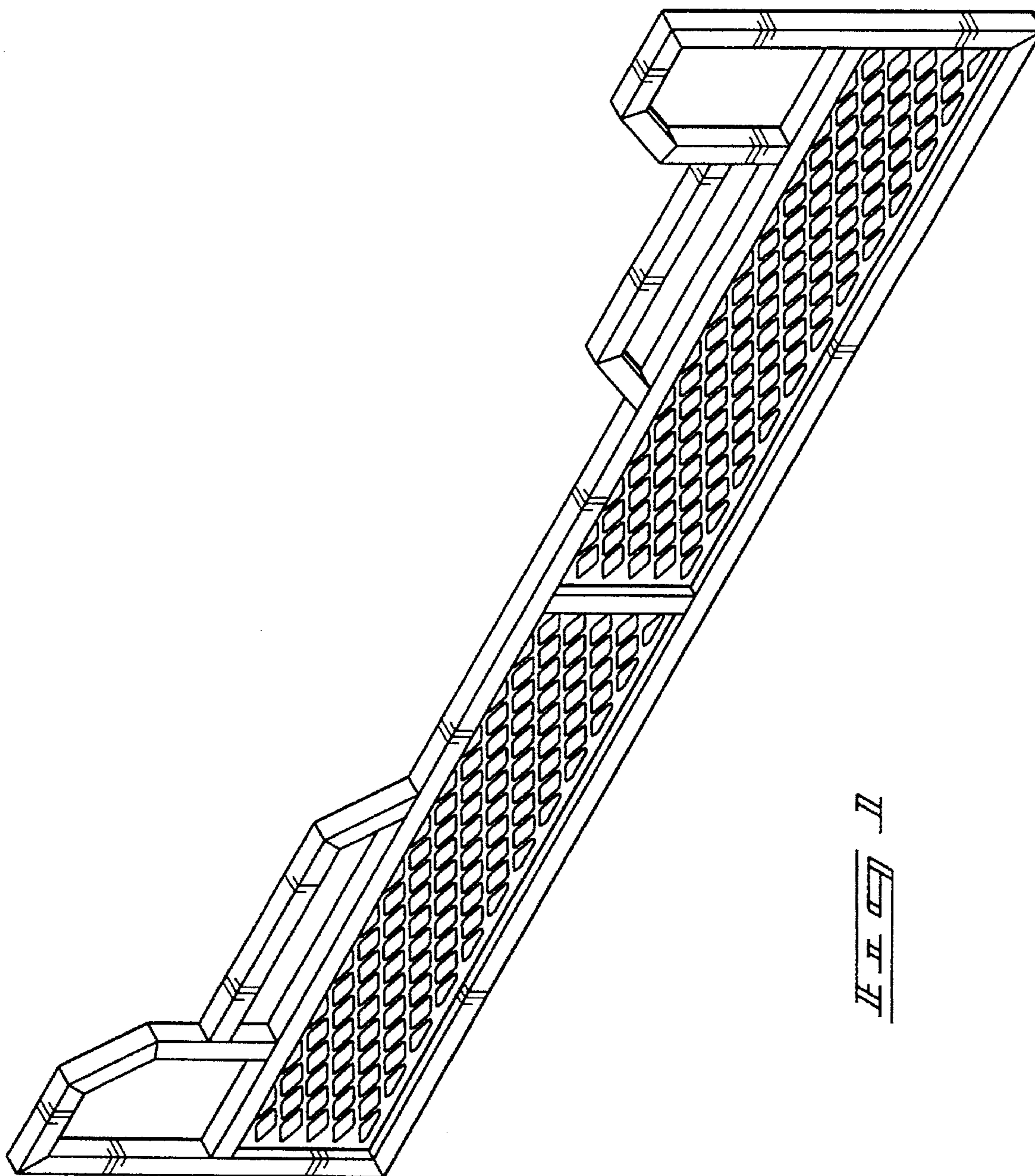


FIG. 1

Fig. 1

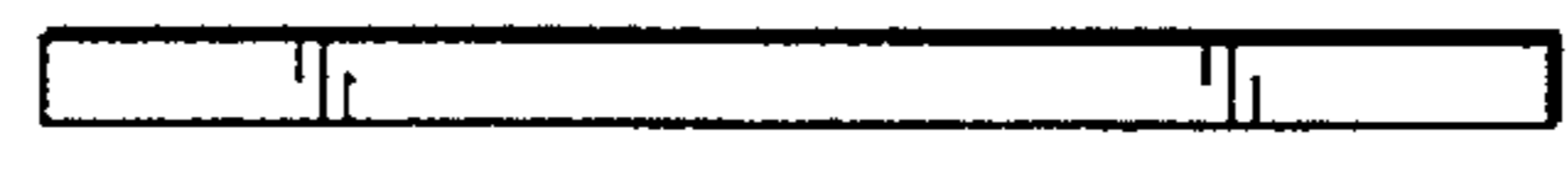


Fig. 2

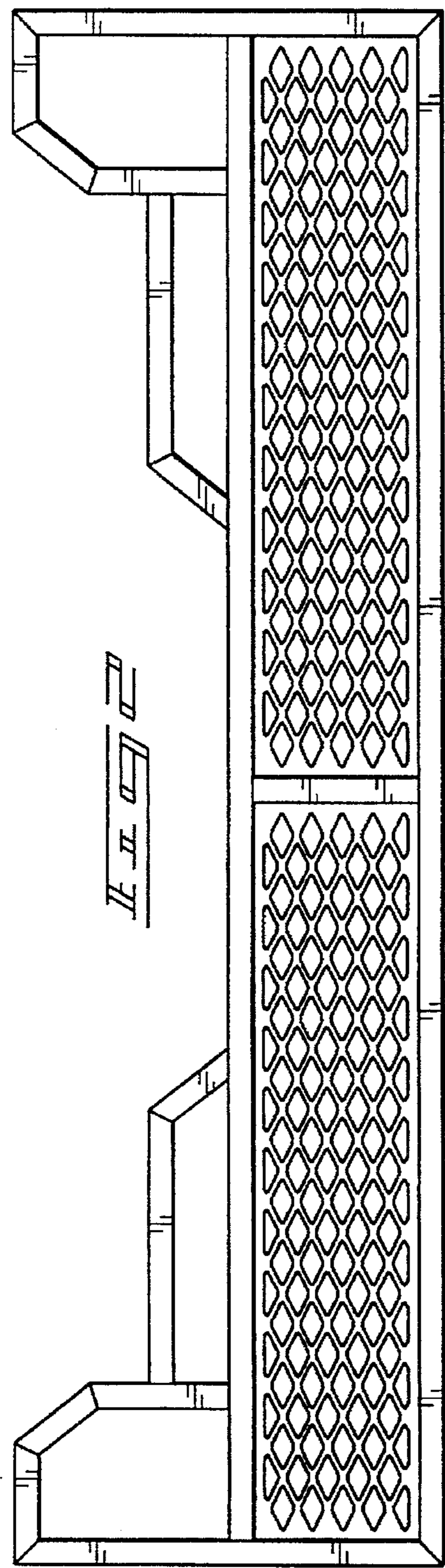


Fig. 3

Fig. 4



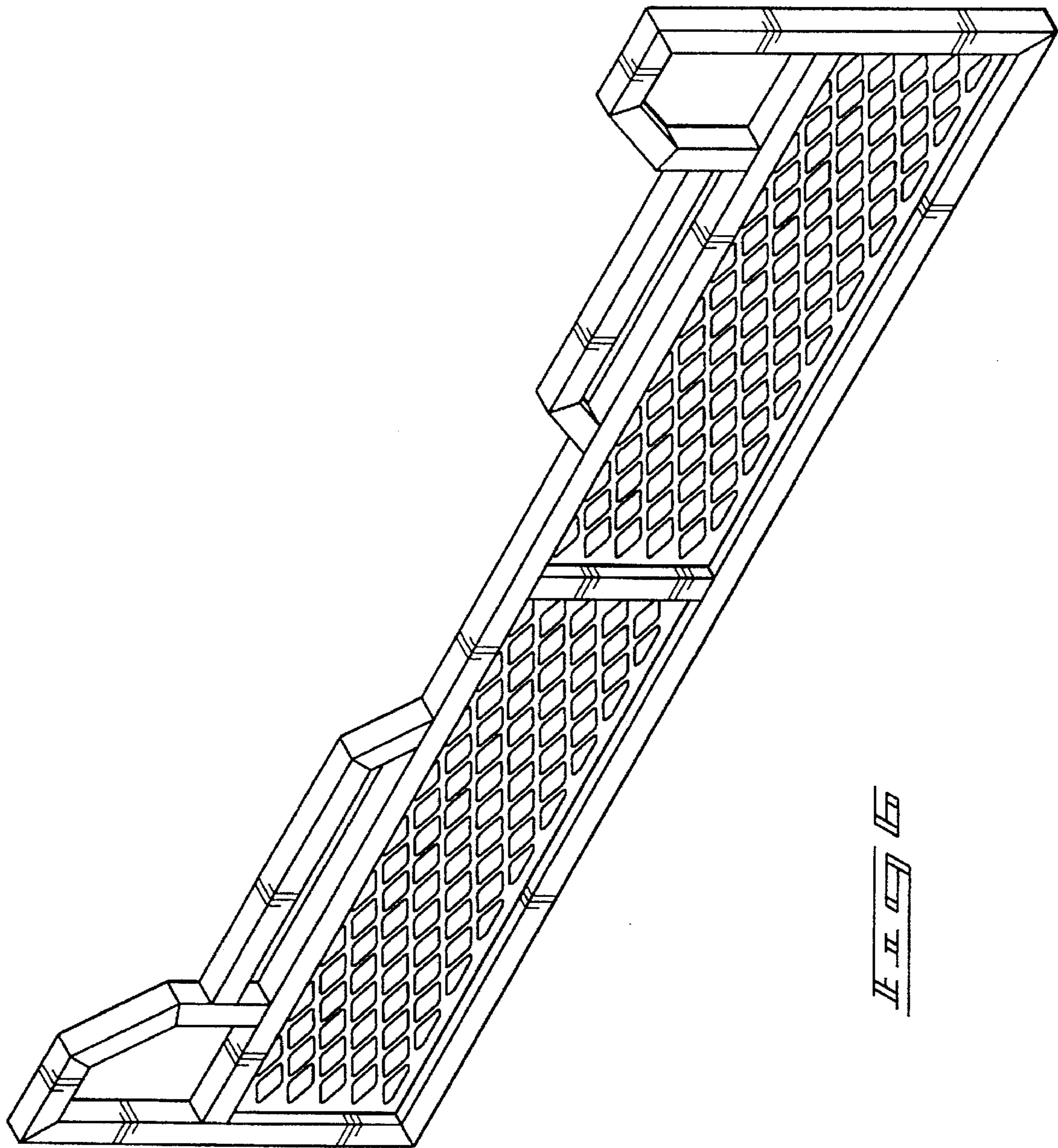


FIG. 3

