



US00D380708S

United States Patent [19]

Witt

[11] Patent Number: **Des. 380,708**

[45] Date of Patent: ****Jul. 8, 1997**

[54] **CANOE/KAYAK CARRIER**

[76] Inventor: **Brian G. Witt**, 1407 Park Ave., Winona Lake, Ind. 46590

[**] Term: **14 Years**

[21] Appl. No.: **51,151**

[22] Filed: **Mar. 4, 1996**

[51] LOC (6) Cl. **12-10**

[52] U.S. Cl. **D12/101**

[58] Field of Search D12/101, 408;
D34/12, 15, 16, 23, 24; 280/47.24, 47.26,
47.331, 42, 414.1-414.3; 224/500

[56] **References Cited**

U.S. PATENT DOCUMENTS

D. 257,857	1/1981	Doyich	D34/12
D. 292,639	11/1987	Kean et al.	D34/15
D. 307,732	5/1990	Level	D12/101
D. 310,283	8/1990	Faykosh et al.	D34/23
D. 367,346	2/1996	Young	D34/15
2,551,040	5/1951	Newell	280/47.331
3,093,386	6/1963	Case	280/42
3,445,018	5/1969	Reagan	414/537
4,936,595	6/1990	Cunningham	280/47.331
5,072,959	12/1991	Marullo	280/47.331

5,203,580	4/1993	Cunningham	280/47.331
5,261,680	11/1993	Freitus et al.	280/47.331
5,267,746	12/1993	Stevenson	280/414.2
5,348,327	9/1994	Gieske	280/47.331
5,401,043	3/1995	Myron	280/42
5,433,460	7/1995	Young	280/47.331 X

FOREIGN PATENT DOCUMENTS

2900283A1	7/1979	Germany	B63C 13/00
2234	7/1972	United Kingdom	

Primary Examiner—Melody N. Brown
Attorney, Agent, or Firm—Taylor & Associates, P.C.

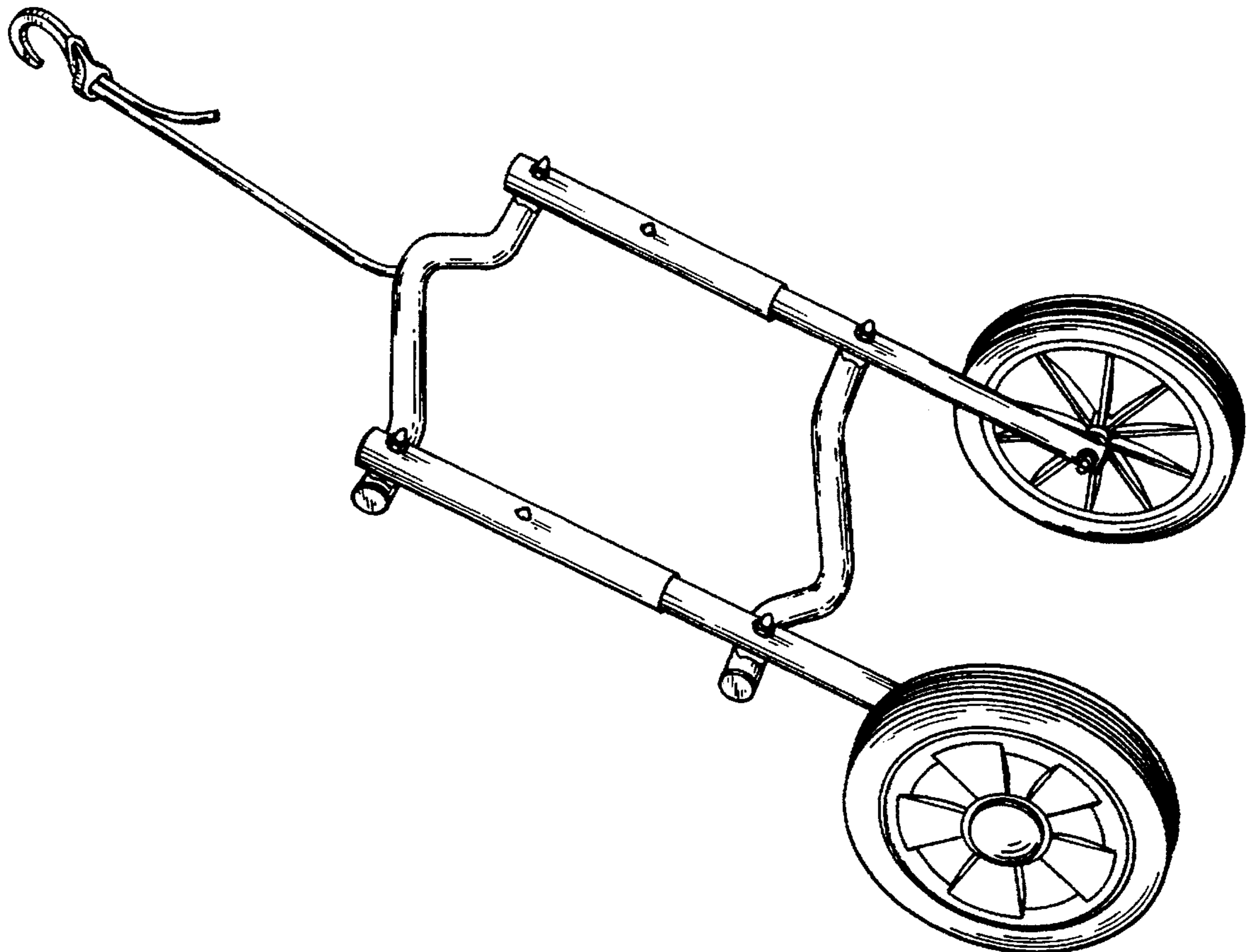
[57] **CLAIM**

The ornamental design for a canoe/kayak carrier, as shown and described.

DESCRIPTION

FIG. 1 is a perspective view of a canoe/kayak carrier showing my new design;
FIG. 2 is a top plan view thereof;
FIG. 3 is a bottom plan view thereof;
FIG. 4 is a side view thereof, the other side being substantially identical;
FIG. 5 is an end view thereof; and,
FIG. 6 is an opposite end view thereof.

1 Claim, 2 Drawing Sheets



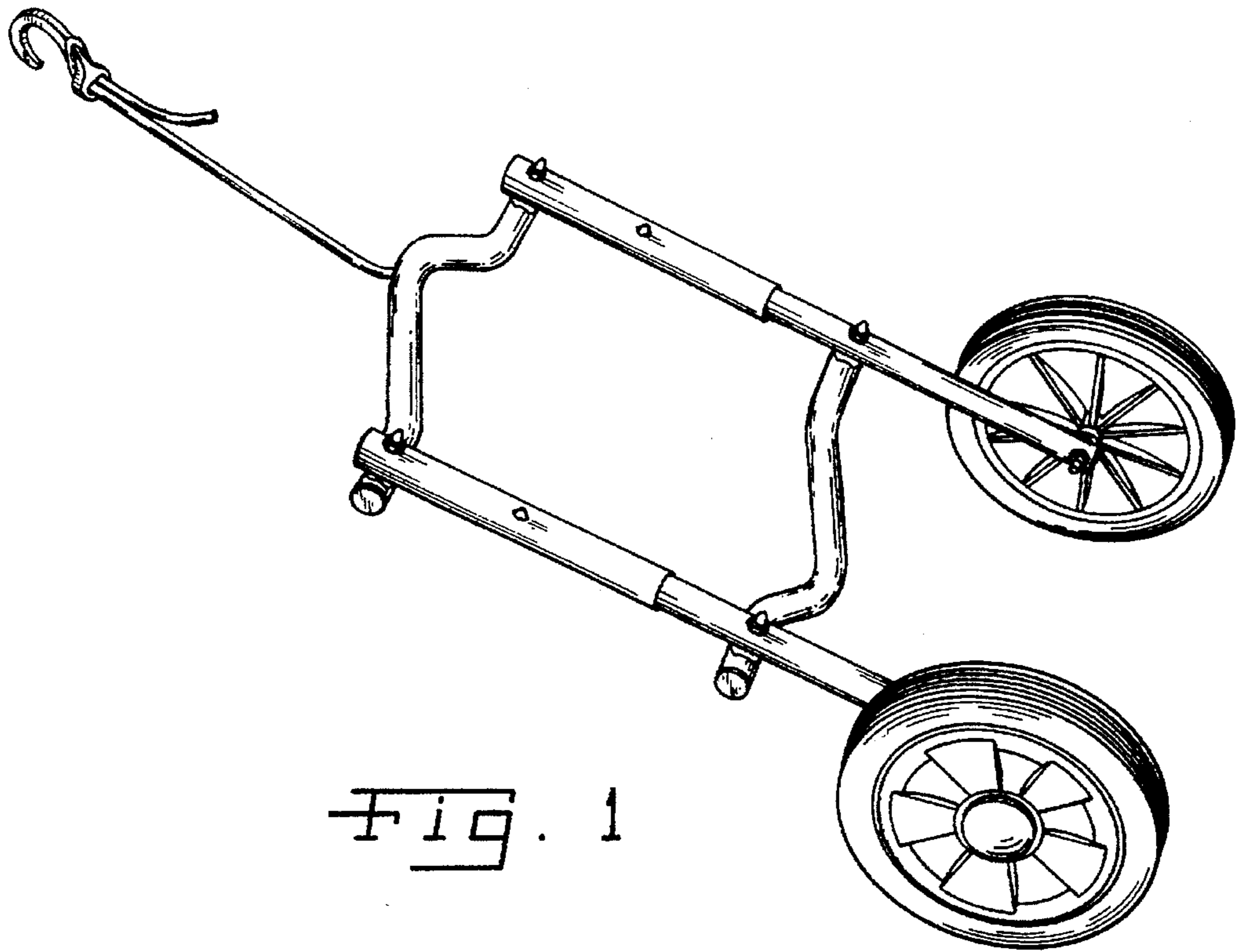


Fig. 1

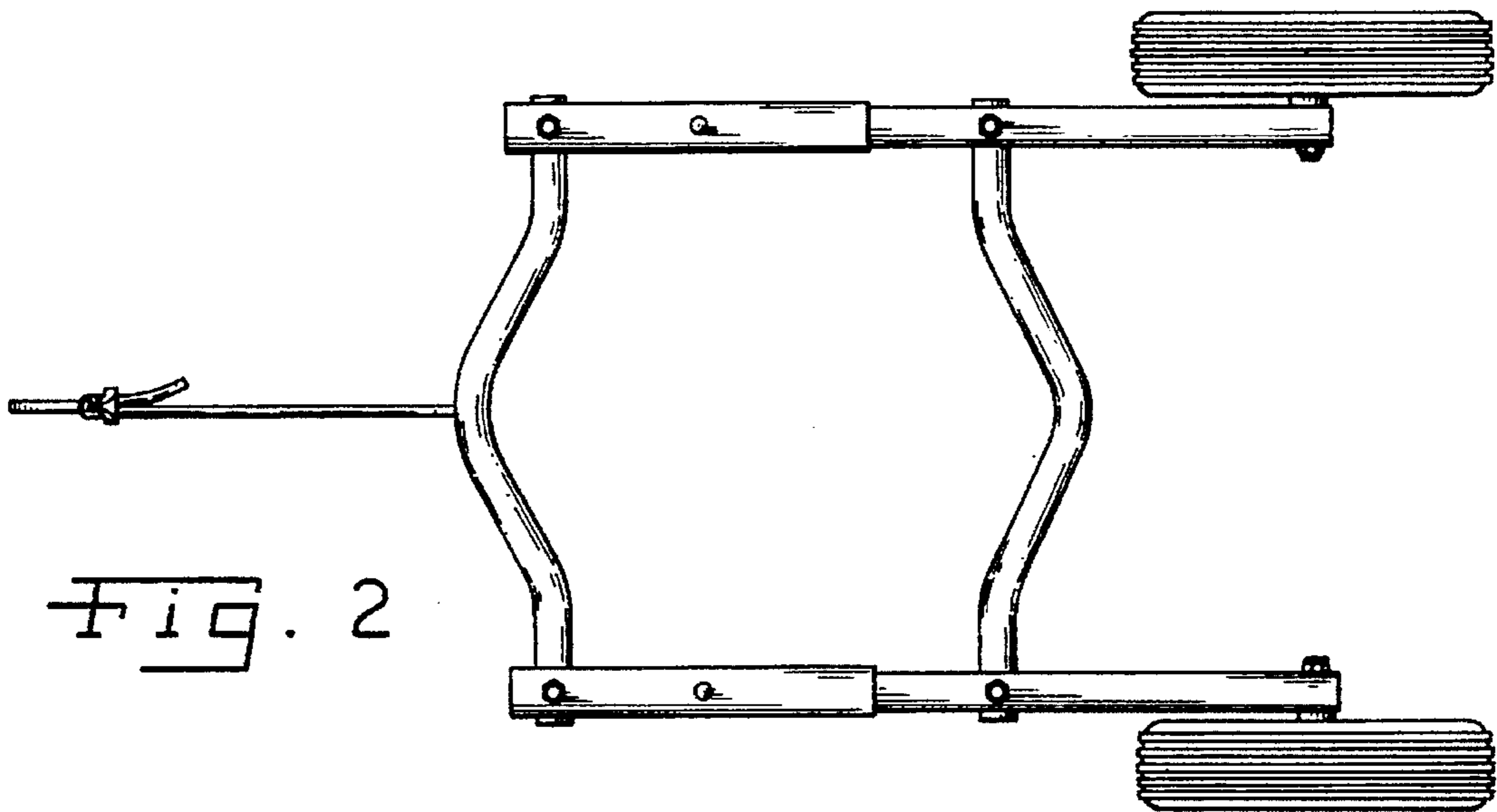


Fig. 2

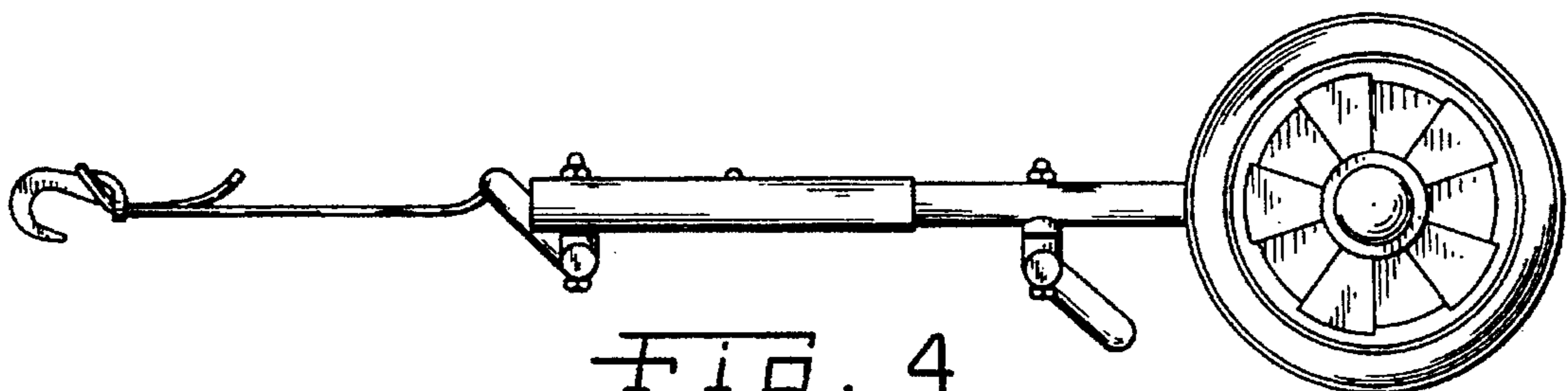


Fig. 4

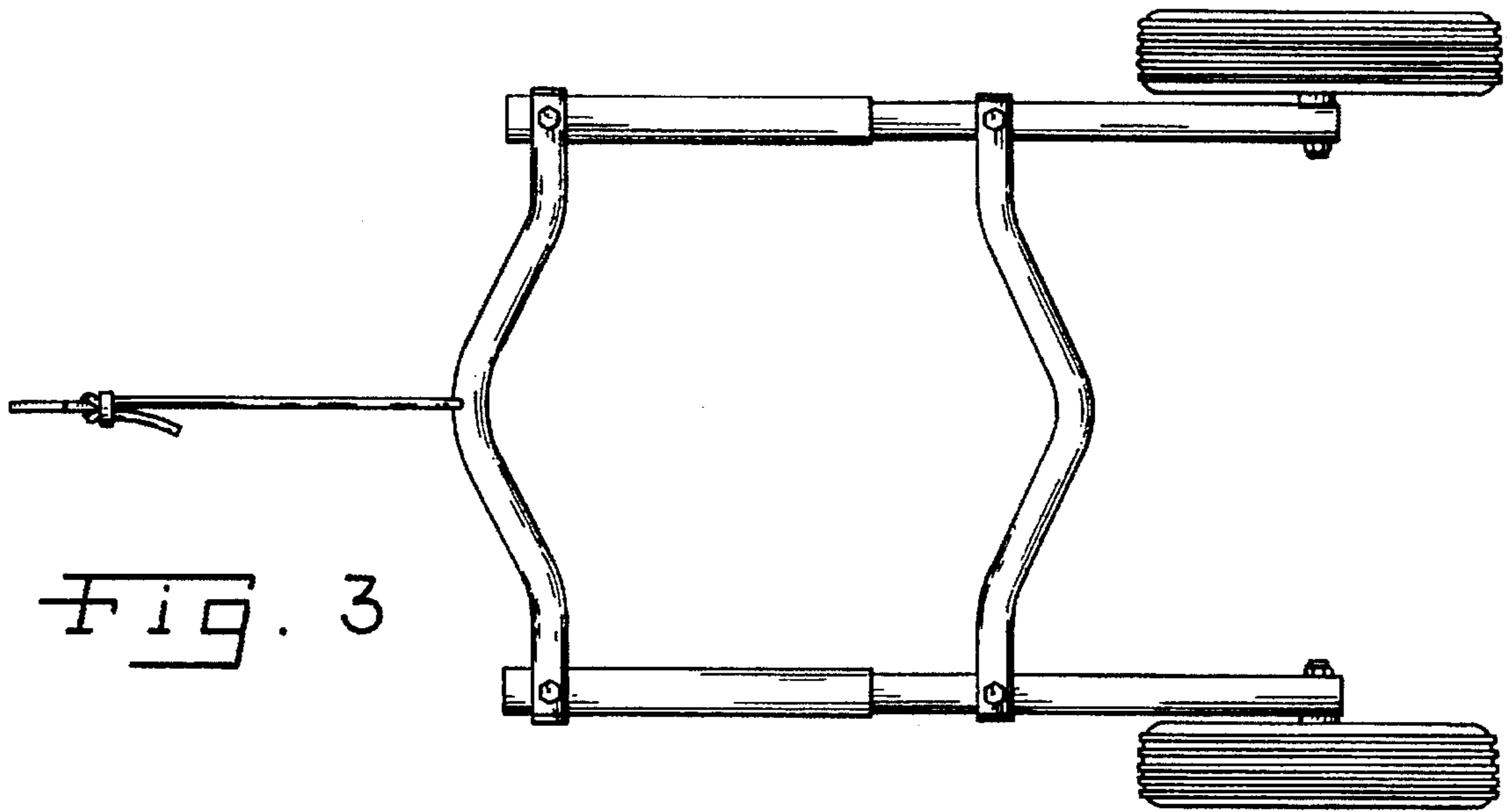


Fig. 3

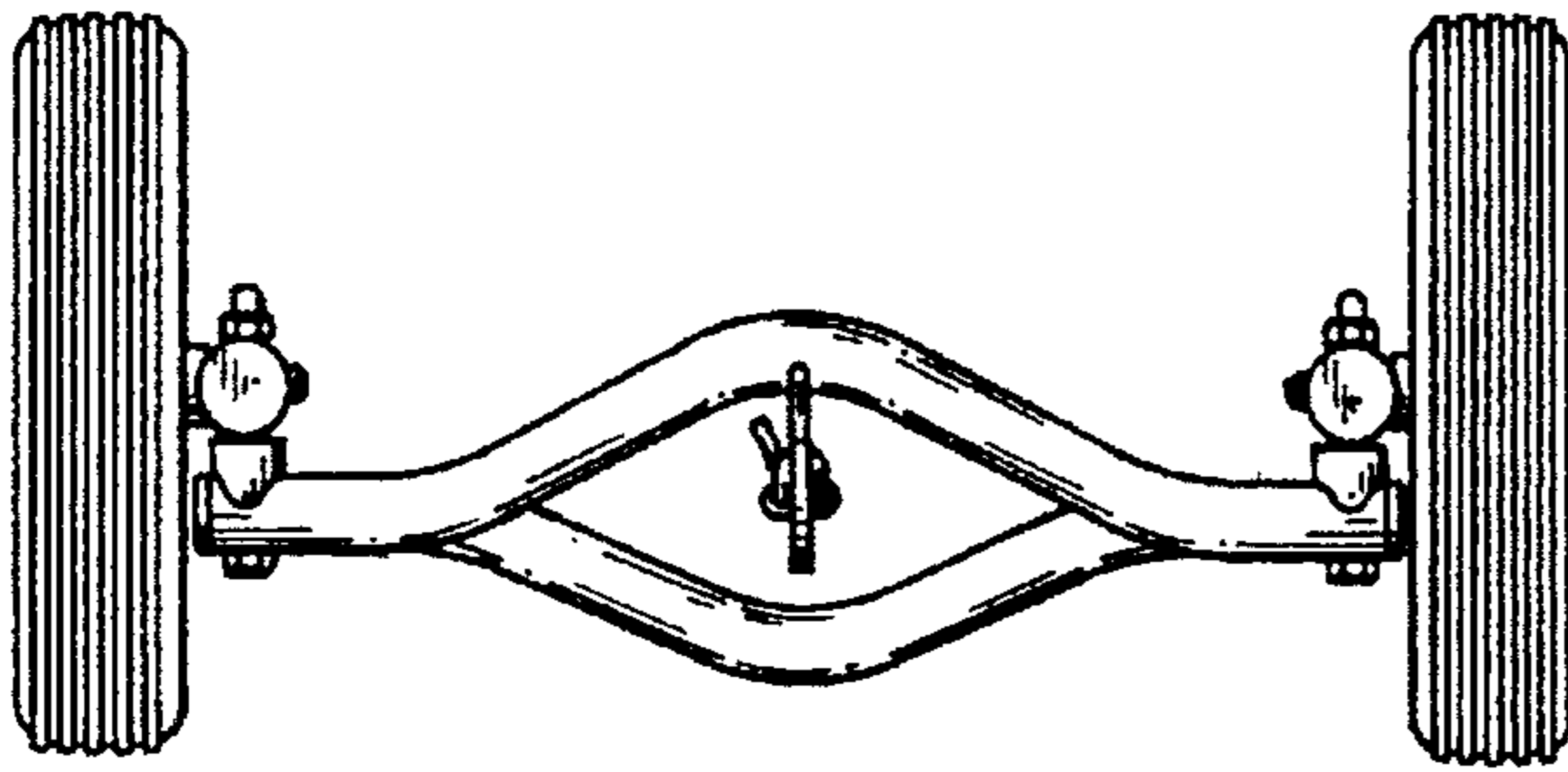


Fig. 5

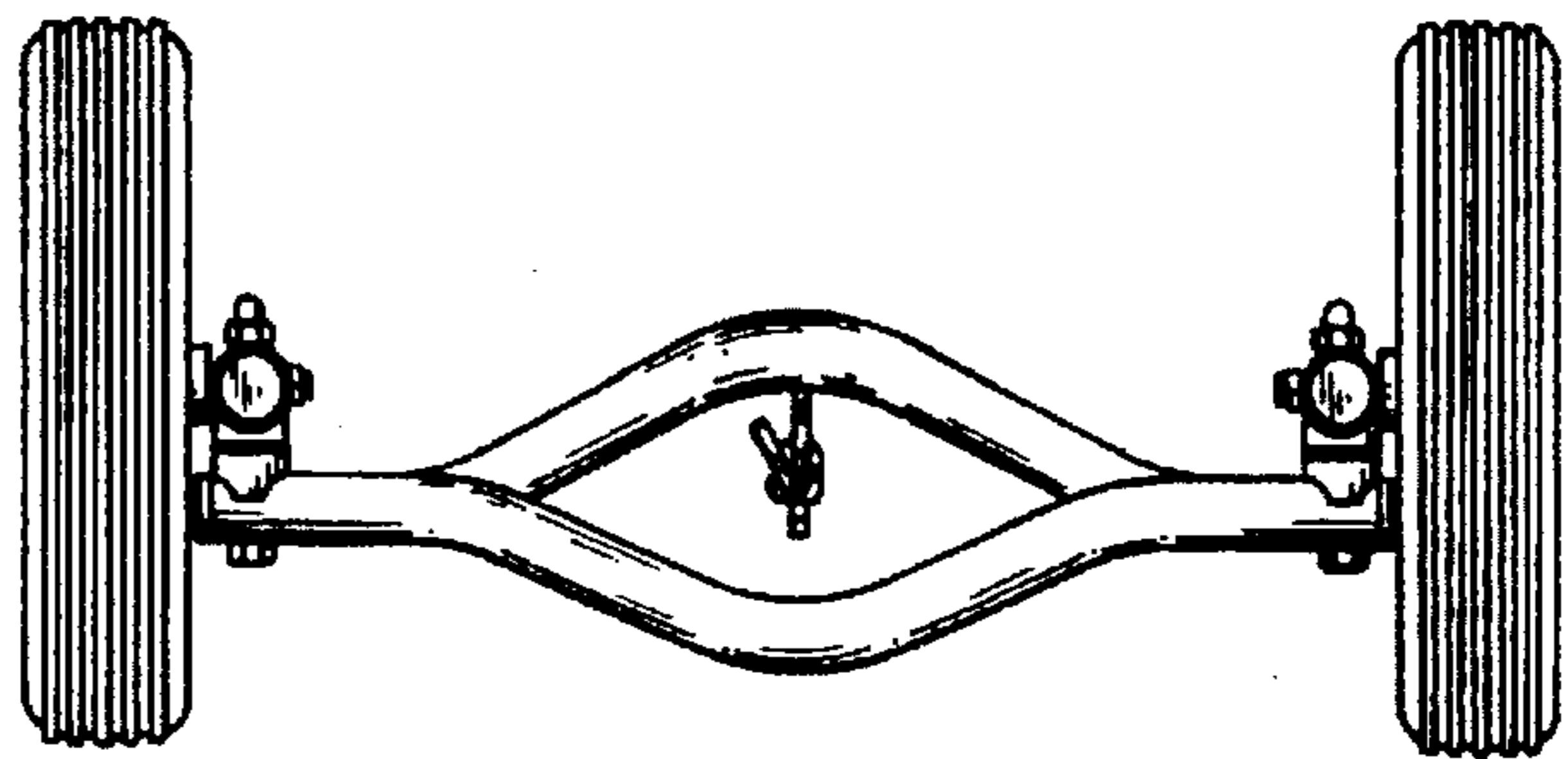


Fig. 6