



US00D380707S

United States Patent [19]

[11] Patent Number: **Des. 380,707**

Gallegus

[45] Date of Patent: ****Jul. 8, 1997**

[54] **TRUCK BED EXTENSION**

5,004,287 4/1991 Doyle 296/57.1
5,034,154 7/1991 Lewis 296/60

[76] Inventor: **Norbert A. Gallegus**, 31349 Braeburn Ave., Hayward, Calif. 94544

Primary Examiner—Melody N. Brown
Attorney, Agent, or Firm—Harold H. Dutton, Jr.; W. Charles L. Jamison; Diane F. Liebman

[**] Term: **14 Years**

[21] Appl. No.: **52,070**

[57] **CLAIM**

[22] Filed: **Mar. 22, 1996**

The ornamental design for a truck bed extension, as shown and described.

[51] LOC (6) Cl. **12-08**

[52] U.S. Cl. **D12/98**

[58] Field of Search D12/96, 98, 414,
D12/196; 296/26, 27, 50, 55, 57.1, 60;
410/129

DESCRIPTION

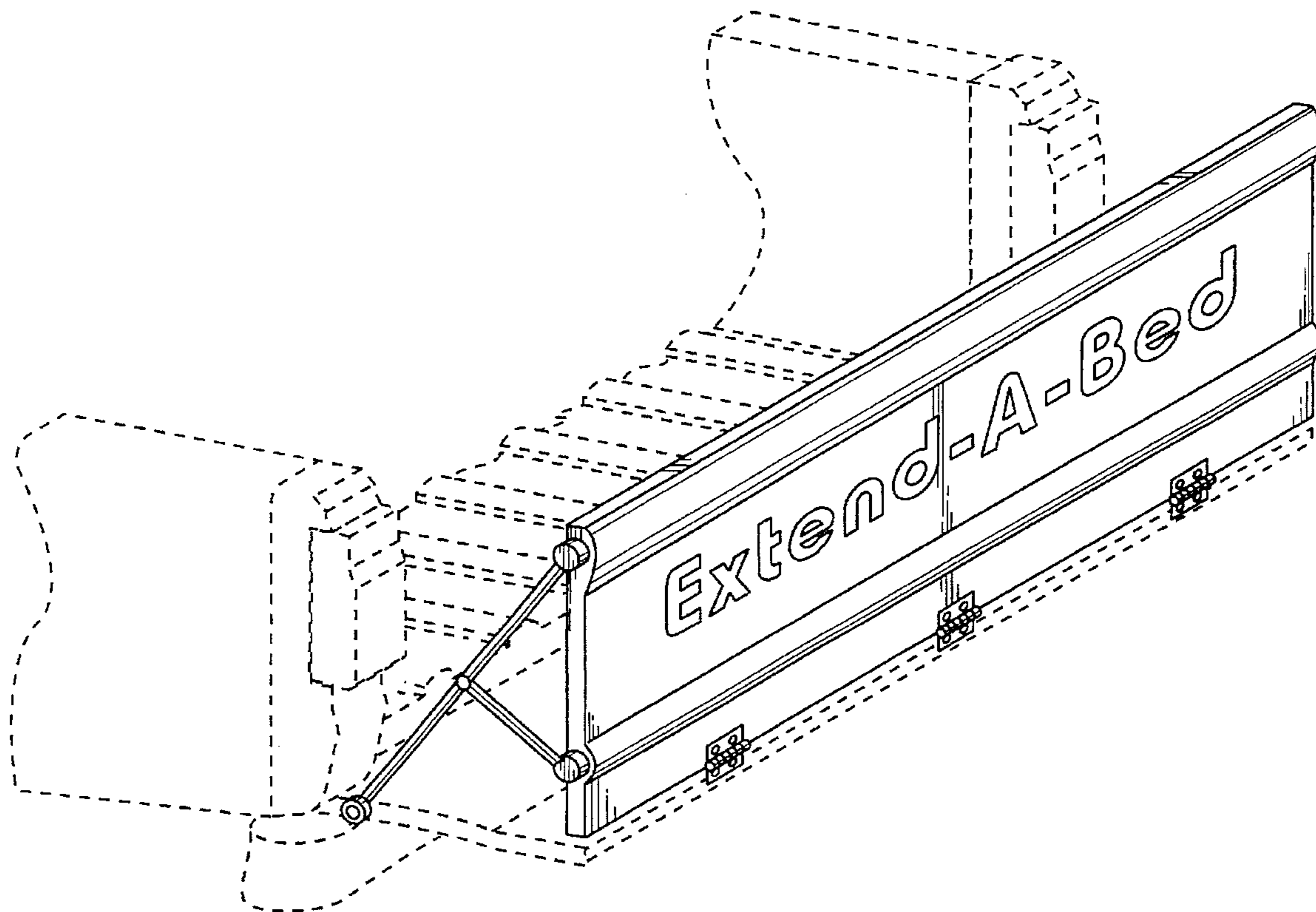
FIG. 1 is a perspective view of a truck bed extension showing my new design;
FIG. 2 is a front view thereof;
FIG. 3 is a rear view thereof;
FIG. 4 is a left side view thereof;
FIG. 5 is a right side view thereof;
FIG. 6 is a top view thereof; and,
FIG. 7 is a bottom view thereof.
The broken lines shown in FIG. 1 are for illustrative purposes only and form no part of the claim design.

[56] **References Cited**

U.S. PATENT DOCUMENTS

- D. 291,789 9/1987 Noga D12/98
- D. 300,734 4/1989 Krutbasch D12/414
- D. 343,809 2/1994 Cannon D12/98
- D. 352,262 11/1994 Hawkes D12/196
- 4,531,773 7/1985 Smith 296/26
- 4,717,298 1/1988 Bott 410/129

1 Claim, 4 Drawing Sheets



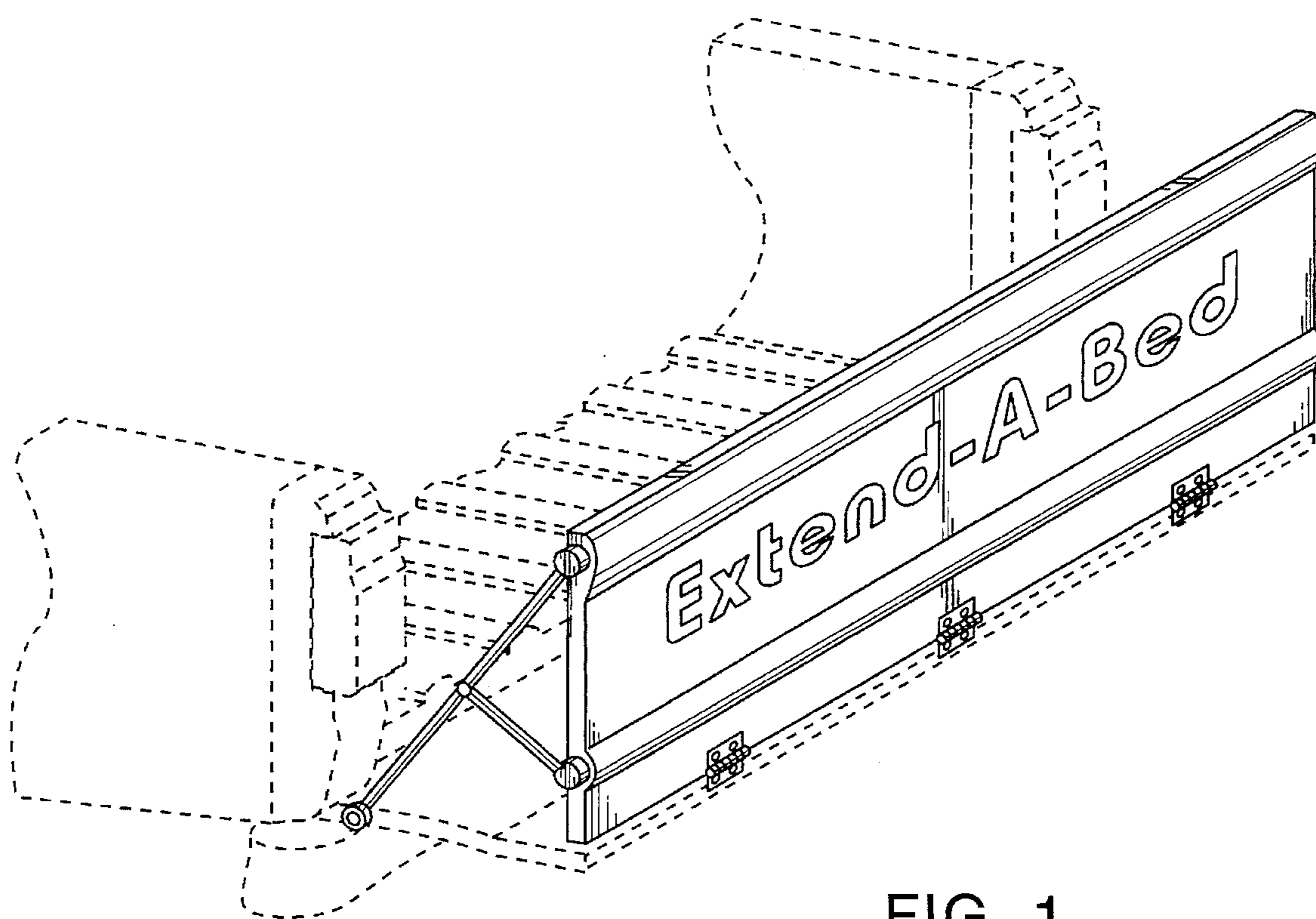


FIG. 1

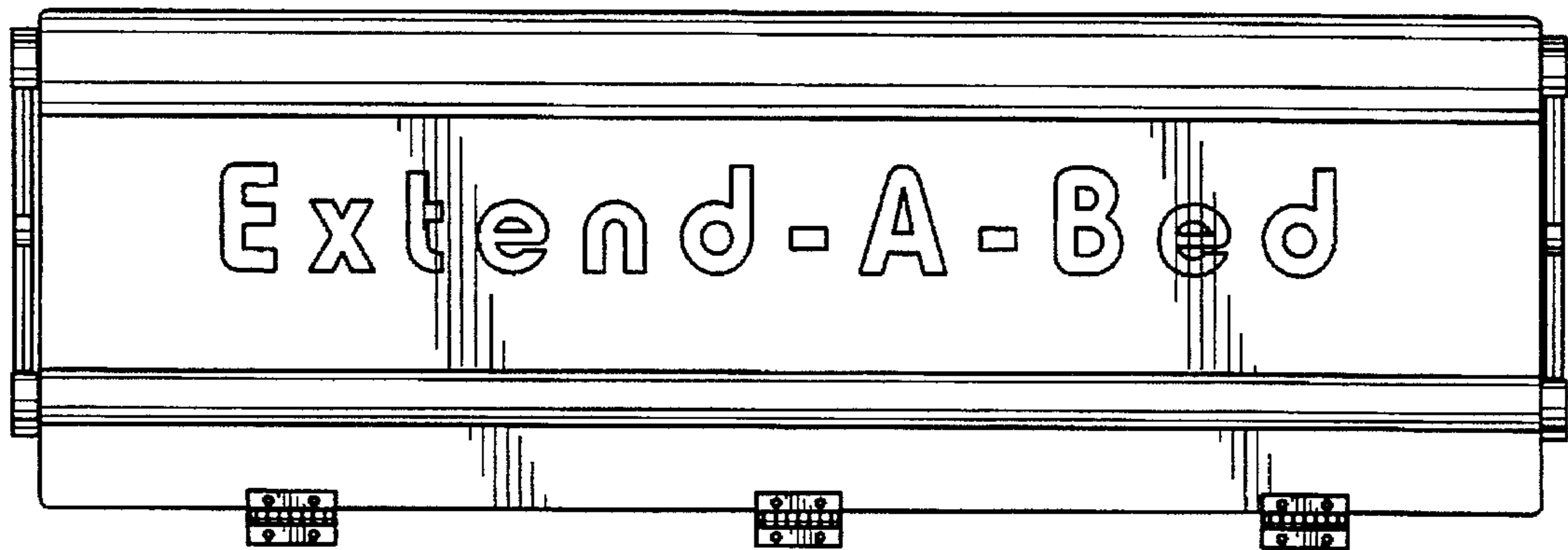


FIG. 2

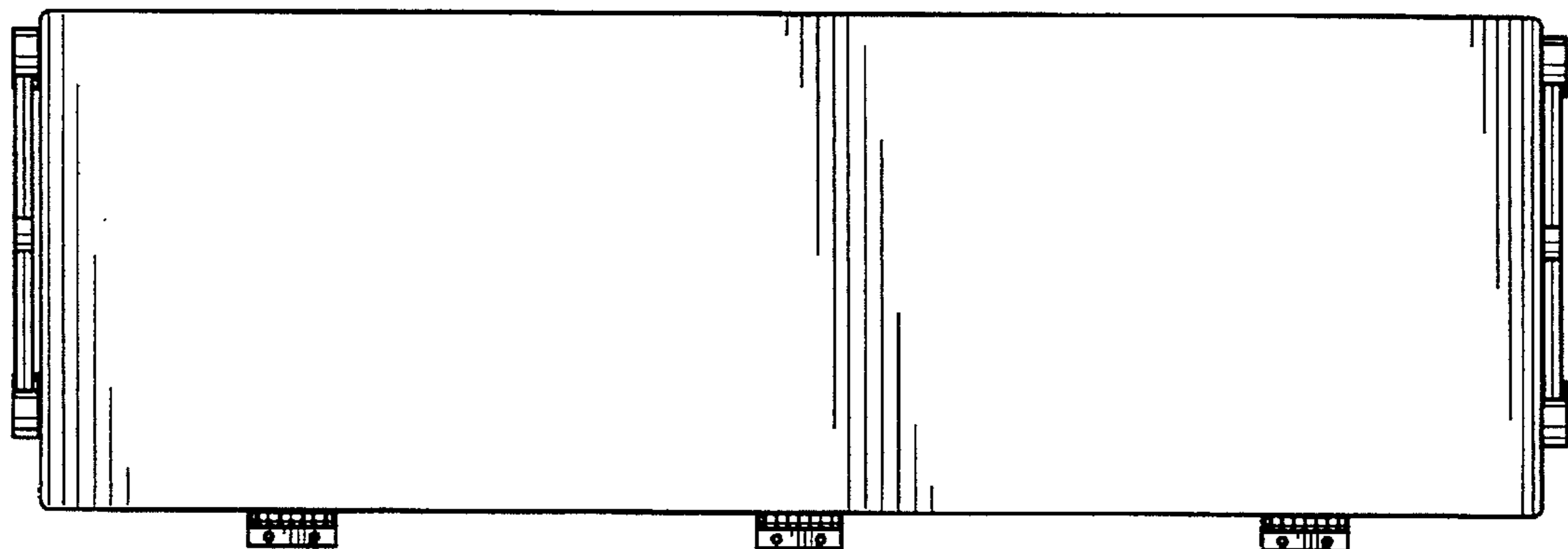


FIG. 3

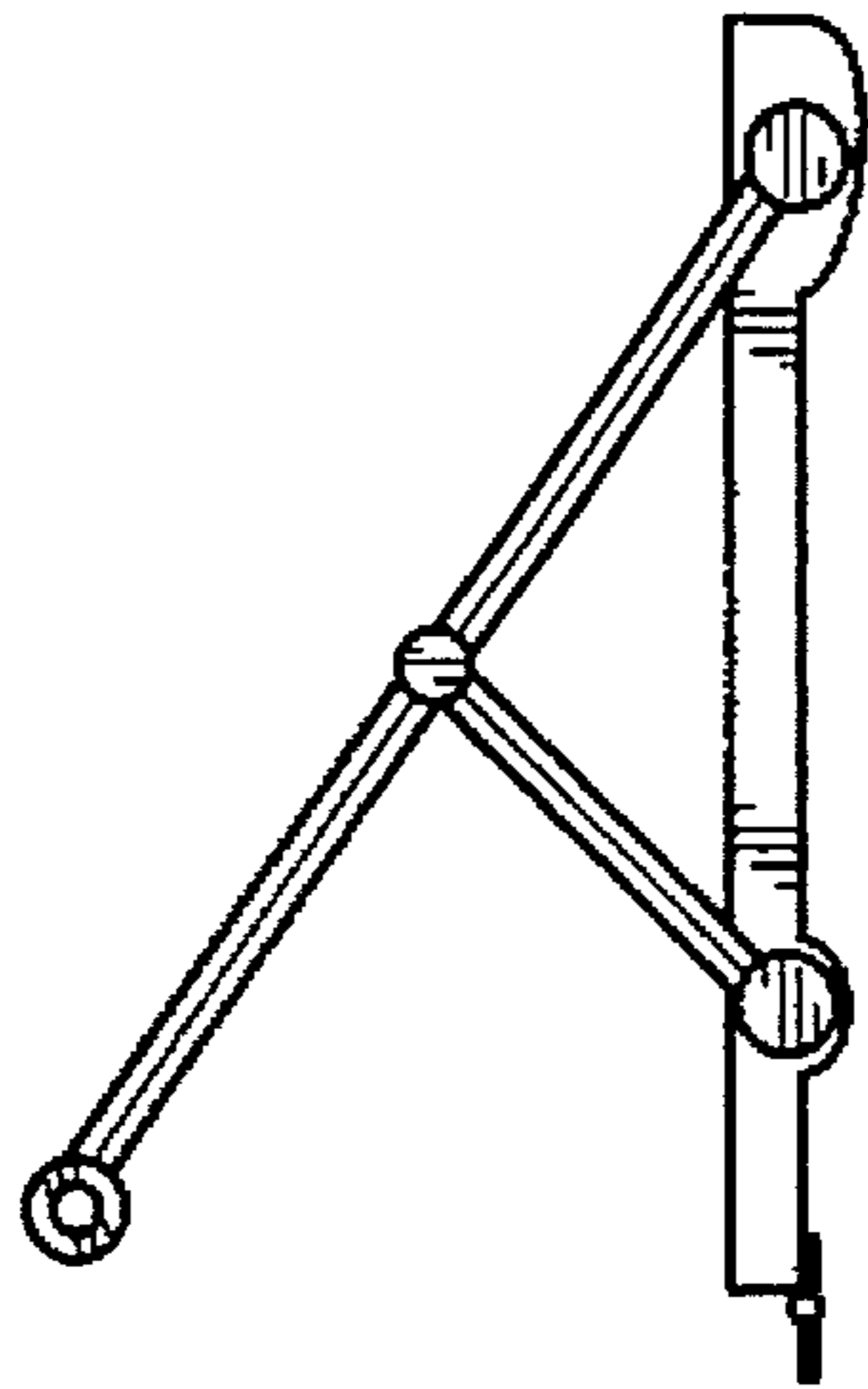
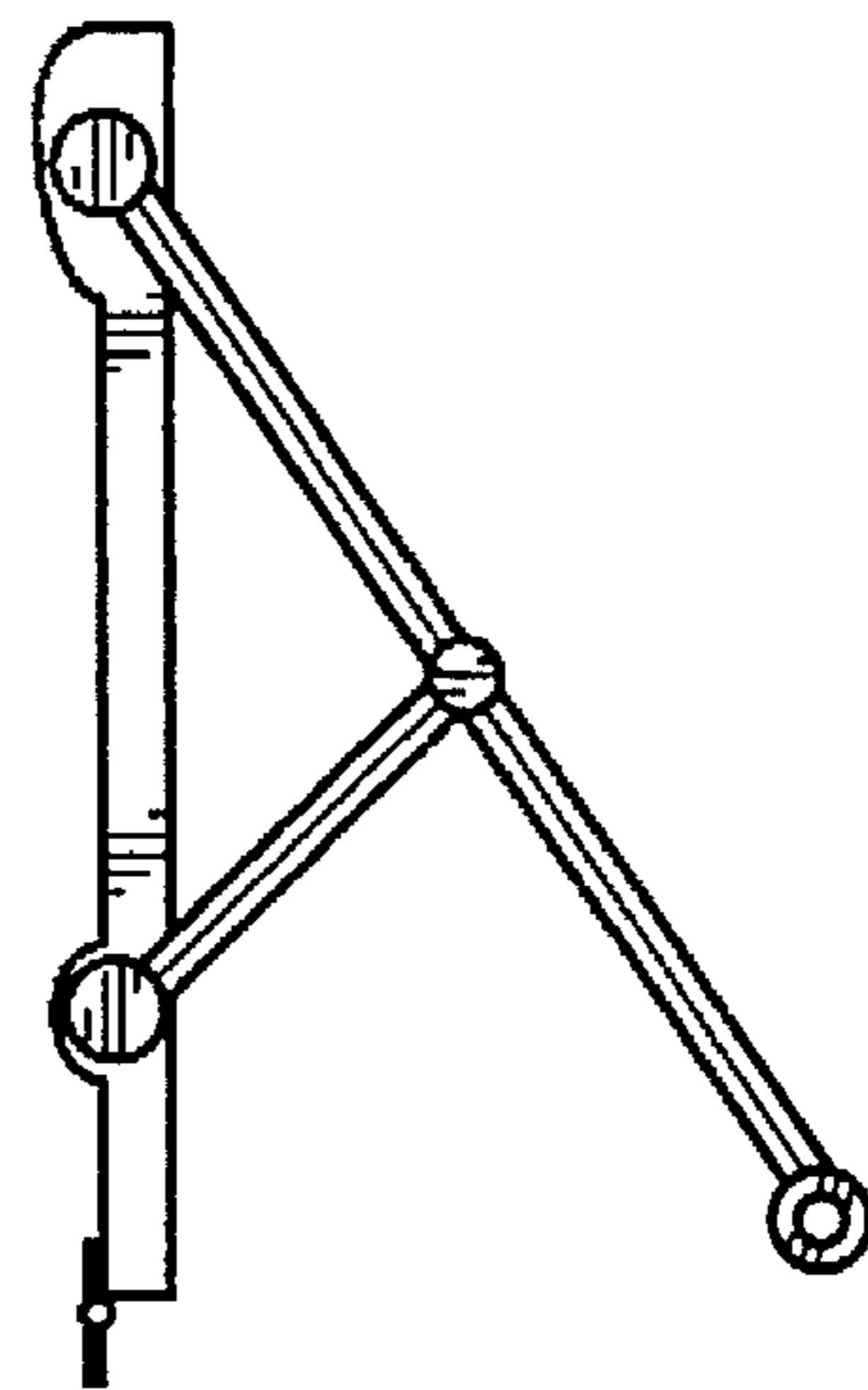


FIG. 4

FIG. 5



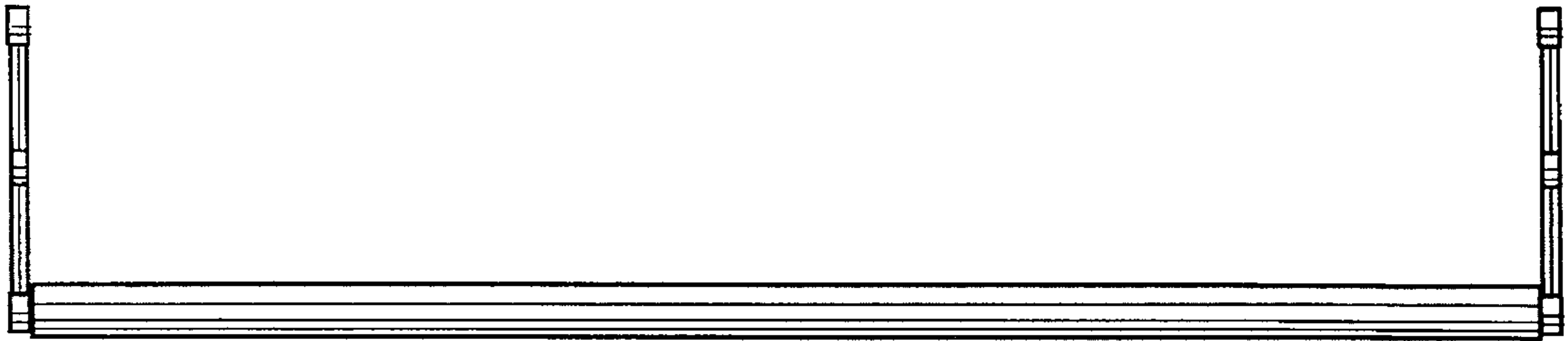


FIG. 6

FIG. 7

