



US00D380704S

United States Patent [19] Cairney

[11] Patent Number: **Des. 380,704**
[45] Date of Patent: ****Jul. 8, 1997**

[54] **MOBILE AMUSEMENT TRAILER**
[76] Inventor: **Mark Murray Cairney**, 259 Muritai Road, Eastbourne, Wellington, New Zealand

[**] Term: **14 Years**

[21] Appl. No.: **35,101**

[22] Filed: **Feb. 17, 1995**

[30] Foreign Application Priority Data

Aug. 19, 1994 [NZ] New Zealand 26117

[51] **LOC (6) Cl.** **12-14**
[52] **U.S. Cl.** **D12/1; D12/101**
[58] **Field of Search** **D12/1, 3, 14, 101, D12/83, 105; 280/656, 789; 296/181, 21, 24.1**

[56] References Cited

U.S. PATENT DOCUMENTS

D. 156,547 12/1949 Madison D12/105
D. 264,453 5/1982 Francis D12/101
D. 266,235 9/1982 Hughes D12/101

D. 321,675 11/1991 Oslapas et al. D12/1
D. 324,006 2/1992 Oslapas et al. D12/1
D. 340,423 10/1993 Gallone D12/1
D. 345,125 3/1994 McCrary D12/101
D. 362,417 9/1995 Curtis et al. D12/101

Primary Examiner—Melody N. Brown
Attorney, Agent, or Firm—Merchant, Gould, Smith, Edell, Welter & Schmidt

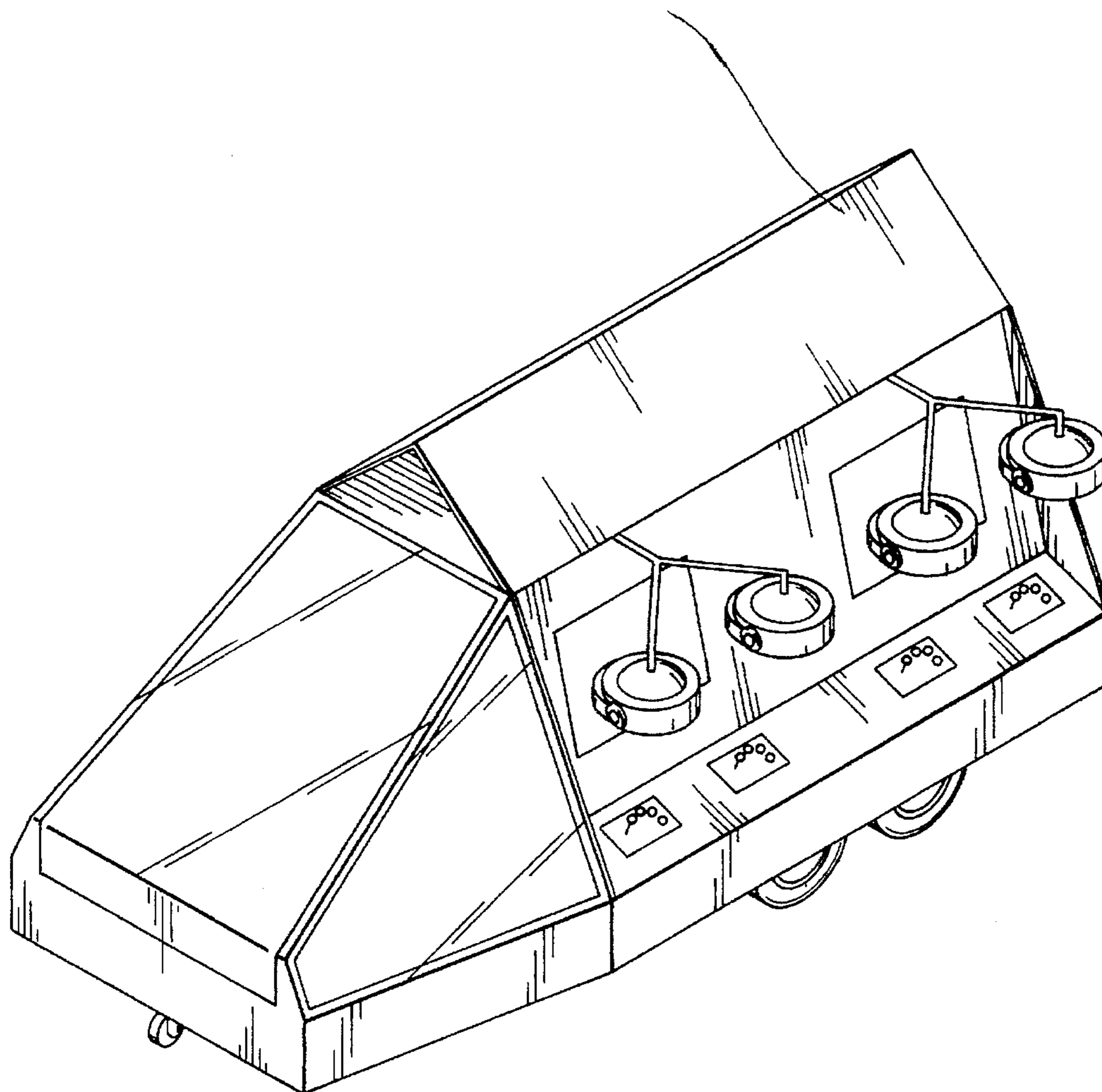
[57] CLAIM

The ornamental design for a mobile amusement trailer, as shown and described.

DESCRIPTION

FIG. 1 is a perspective view of a mobile amusement trailer showing my new design, in open condition;
FIG. 2 is a front view of the open mobile amusement trailer;
FIG. 3 is a side view of the open mobile amusement trailer;
FIG. 4 is a rear view of the open mobile amusement trailer;
FIG. 5 is a perspective view of the mobile amusement trailer, in closed condition;
FIG. 6 is a front view of the closed mobile amusement trailer; and,
FIG. 7 is a side view of the closed mobile amusement trailer.

1 Claim, 7 Drawing Sheets



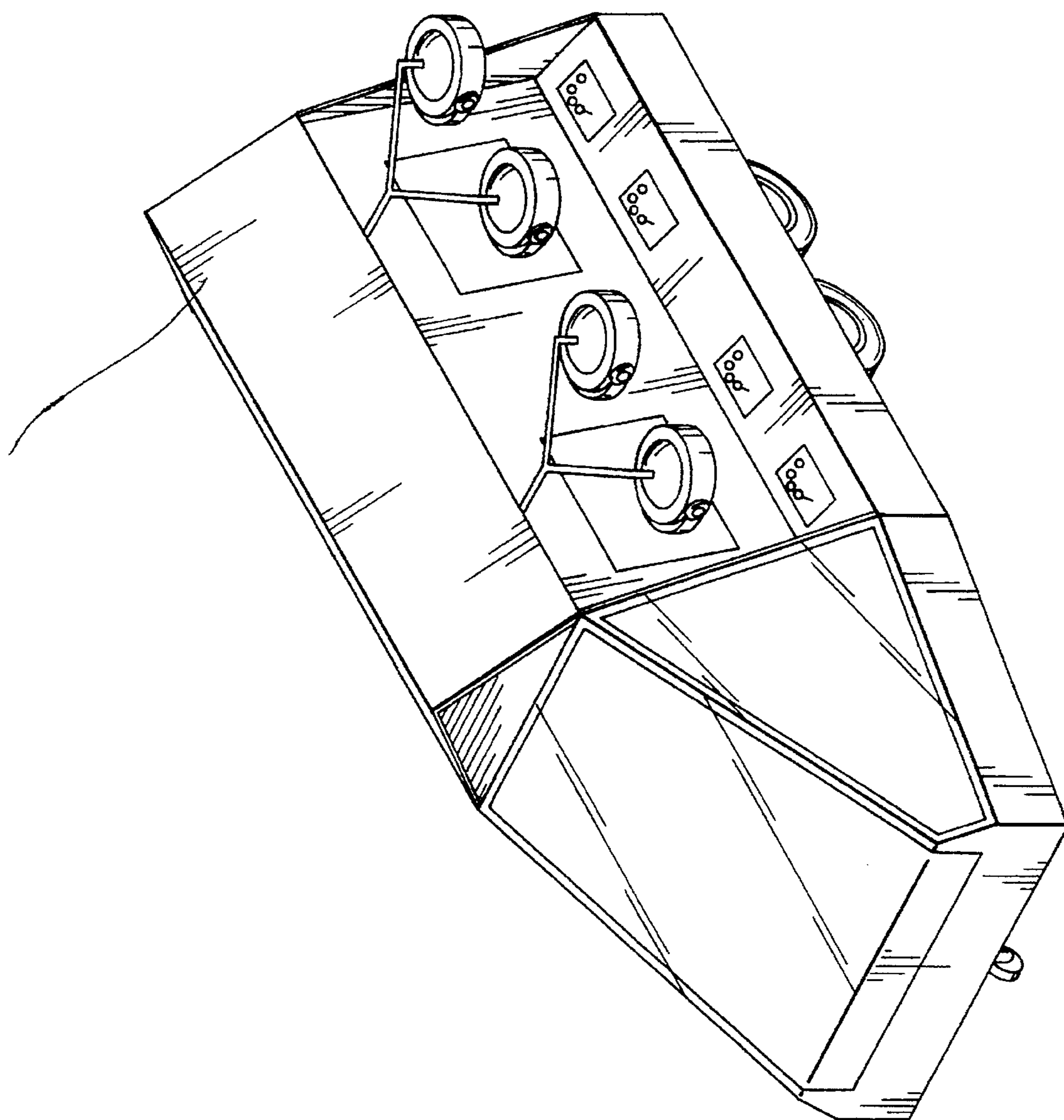


FIG. 1

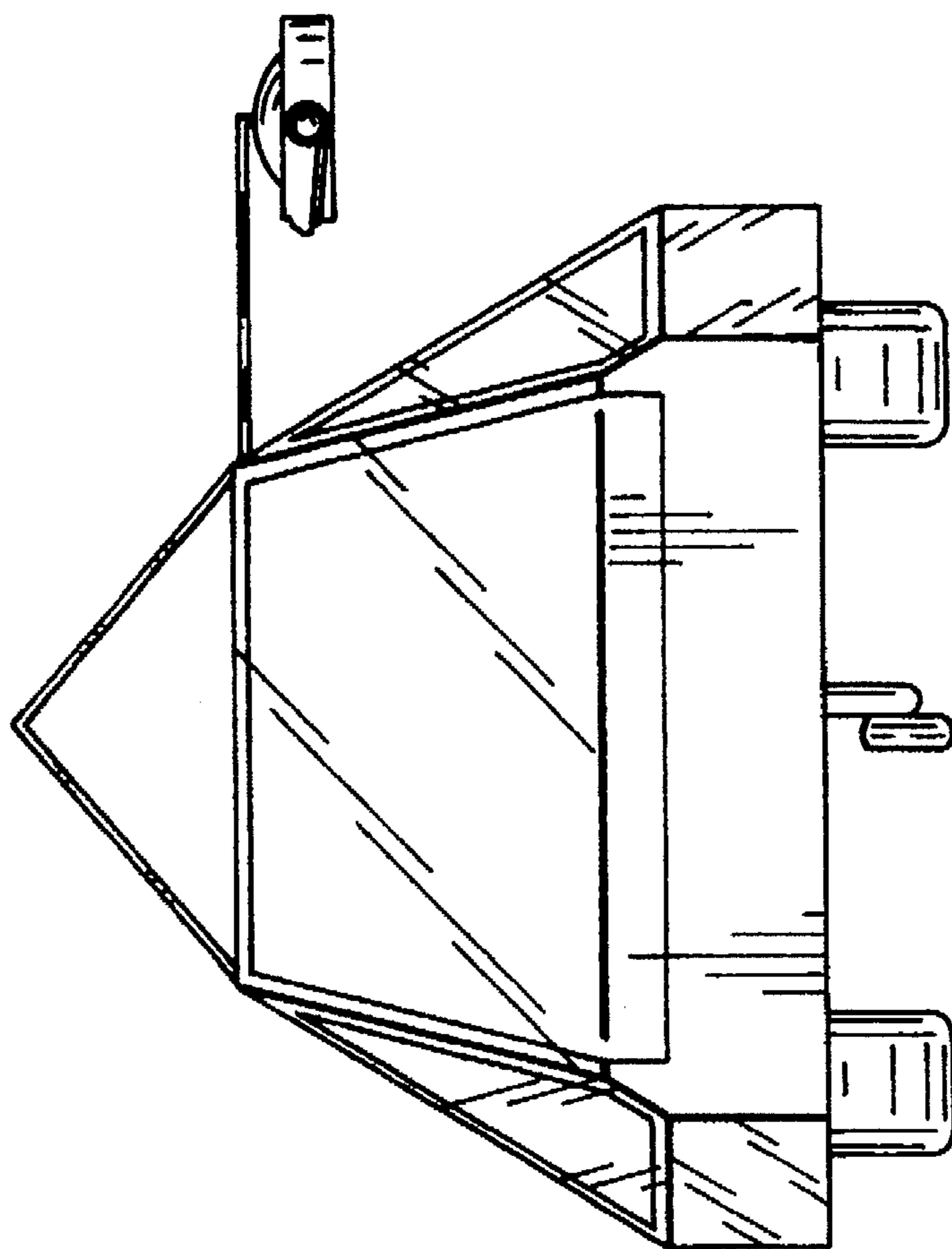


FIG. 2

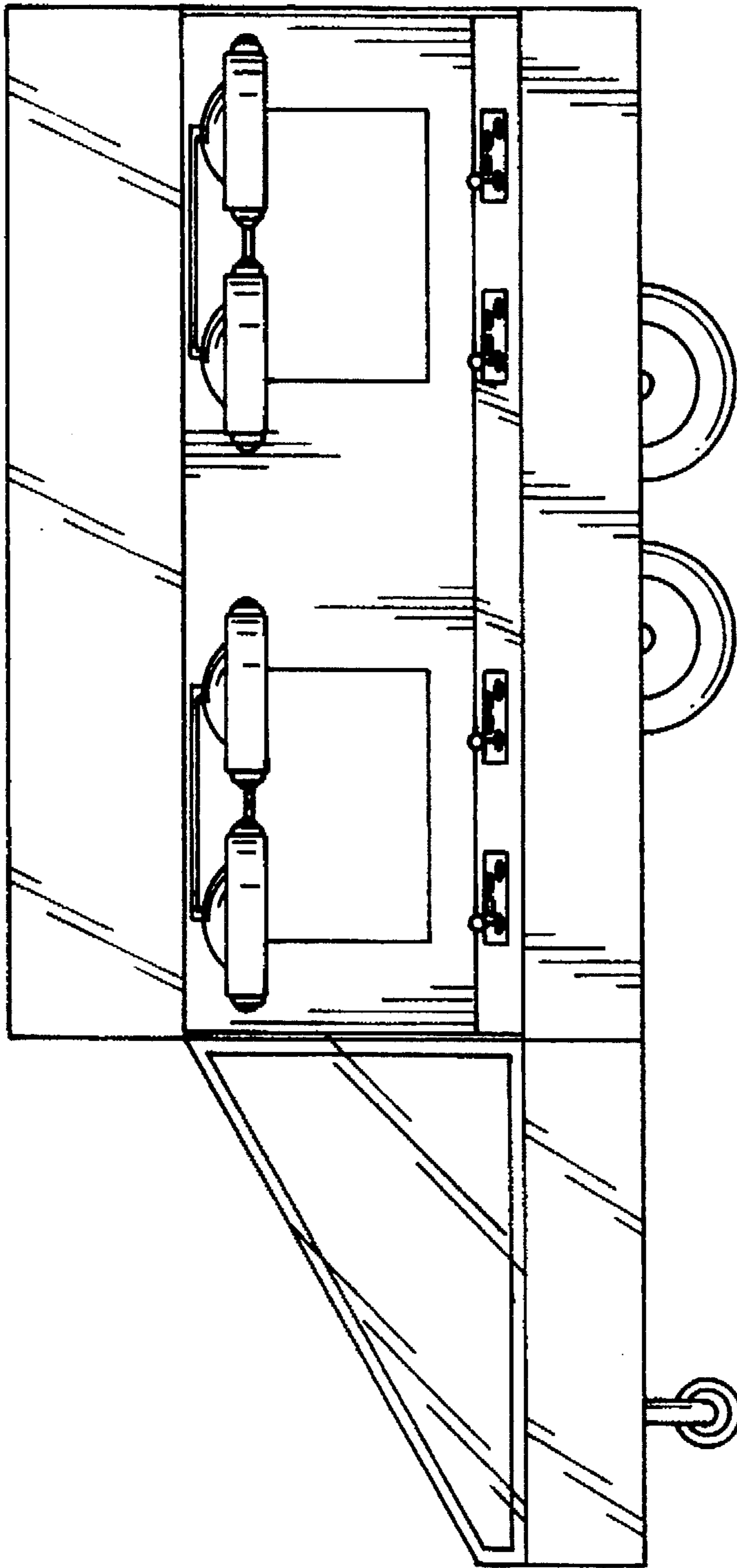


FIG. 3

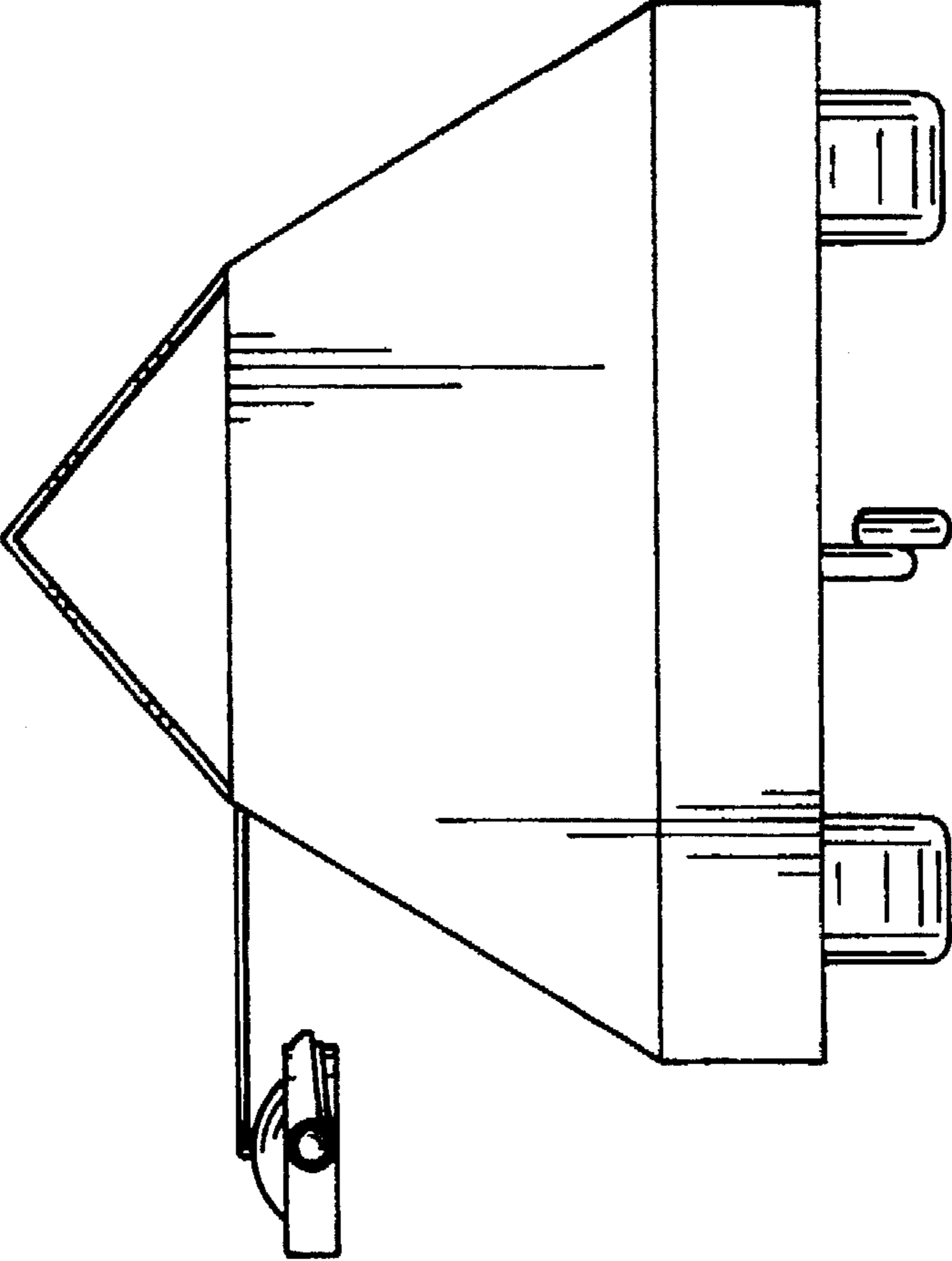


FIG. 4

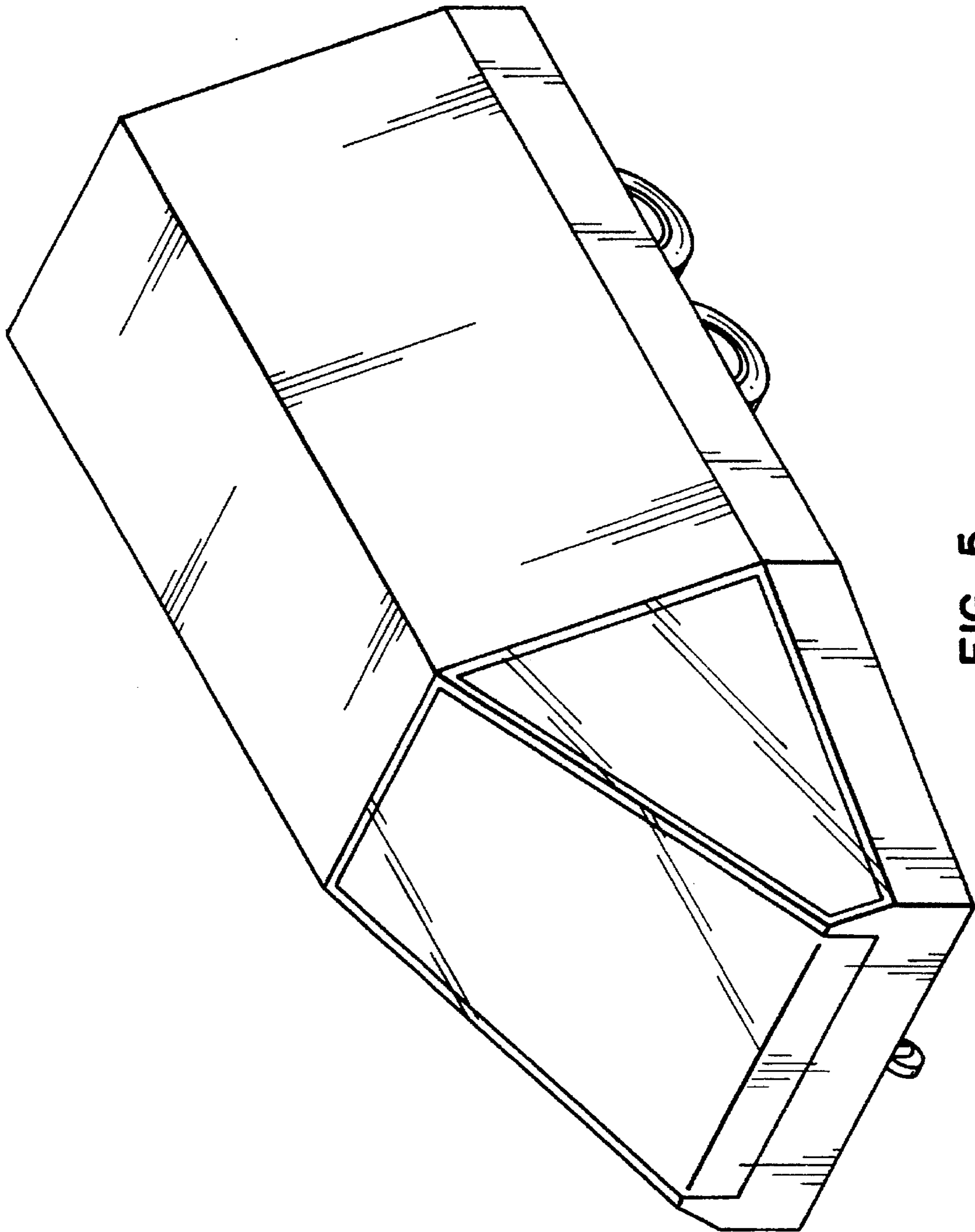


FIG. 5

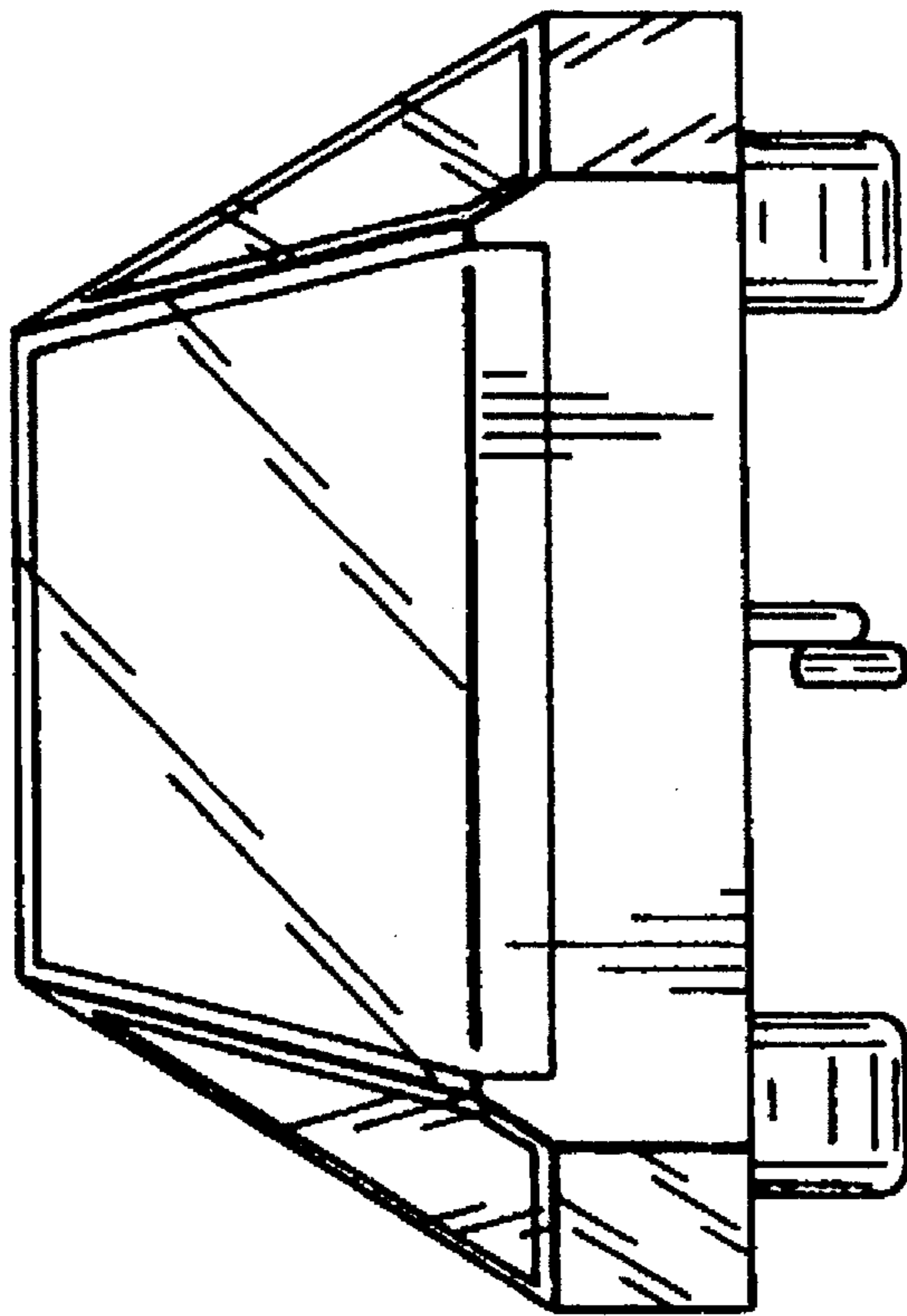


FIG. 6

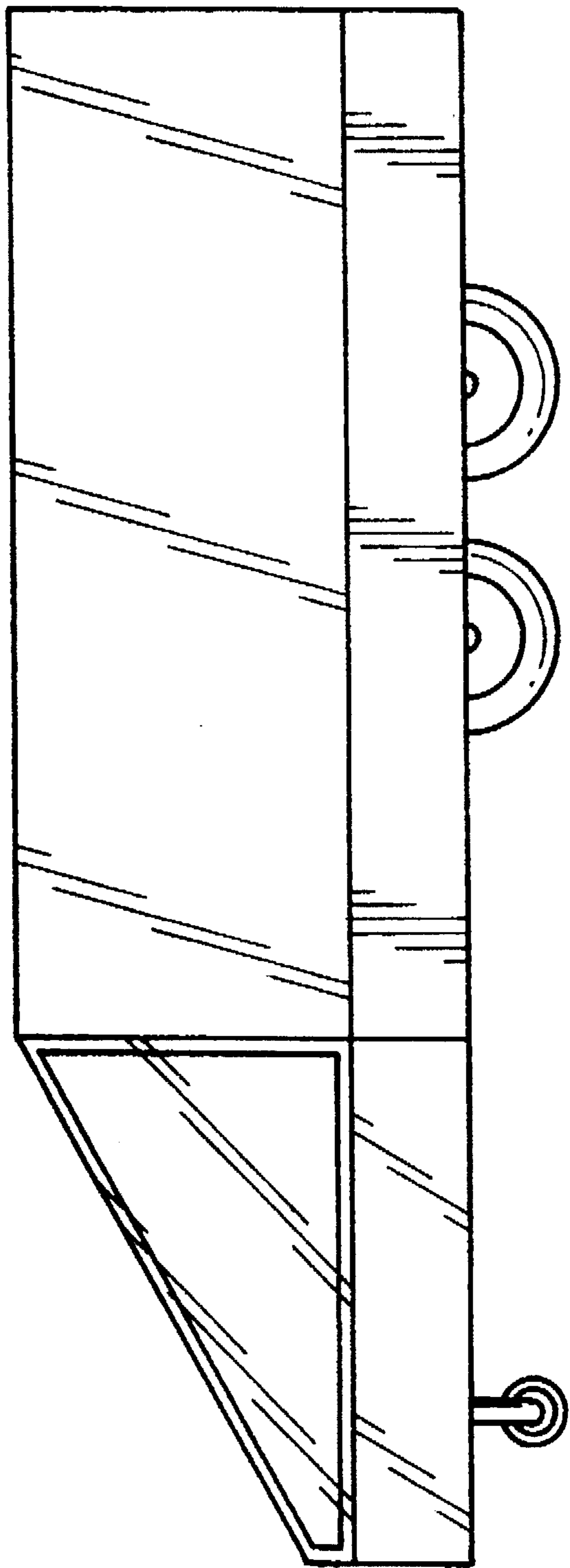


FIG. 7