



US00D380703S

# United States Patent [19]

Hoffer et al.

[11] Patent Number: **Des. 380,703**

[45] Date of Patent: **\*\*Jul. 8, 1997**

[54] **SHOULDER BELT RETAINER**

[76] Inventors: **Linda Sue Hoffer; William Arthur Hoffer**, both of 841 Diane Dr., Cincinnati, Ohio 45245

[\*\*] Term: **14 Years**

[21] Appl. No.: **32,318**

[22] Filed: **Dec. 15, 1994**

4,648,625	3/1987	Lynch .	
4,730,875	3/1988	Yoshitsugu .	
4,799,737	1/1989	Greene .	
4,832,366	5/1989	Corbett et al. .	
5,058,922	10/1991	Long .	
5,088,161	2/1992	Robertson .....	297/483
5,141,287	8/1992	Greene .	
5,275,468	1/1994	Vacanti .....	297/483
5,340,198	8/1994	Murphy et al. ....	297/483

Primary Examiner—Ralf Seifert  
Attorney, Agent, or Firm—Frost & Jacobs

### Related U.S. Application Data

[63] Continuation-in-part of Ser. No. 110,610, Aug. 24, 1993, abandoned.

[51] LOC (6) Cl. .... **02-07**

[52] U.S. Cl. .... **D11/218**

[58] Field of Search ..... **D11/200-202, D11/218; 280/801, 808; 297/483, 238, 389, 463**

### References Cited

#### U.S. PATENT DOCUMENTS

D. 285,383	9/1986	Anthony .....	D11/218
D. 359,711	6/1995	Bell .....	D11/200
2,036,743	4/1936	Cohn .....	D11/218
3,075,268	1/1963	Schwartz .....	D11/218
4,309,799	1/1982	Noda .....	D11/218
4,541,654	9/1985	Jonasson .	
4,609,205	9/1986	McKeever .	

### [57] CLAIM

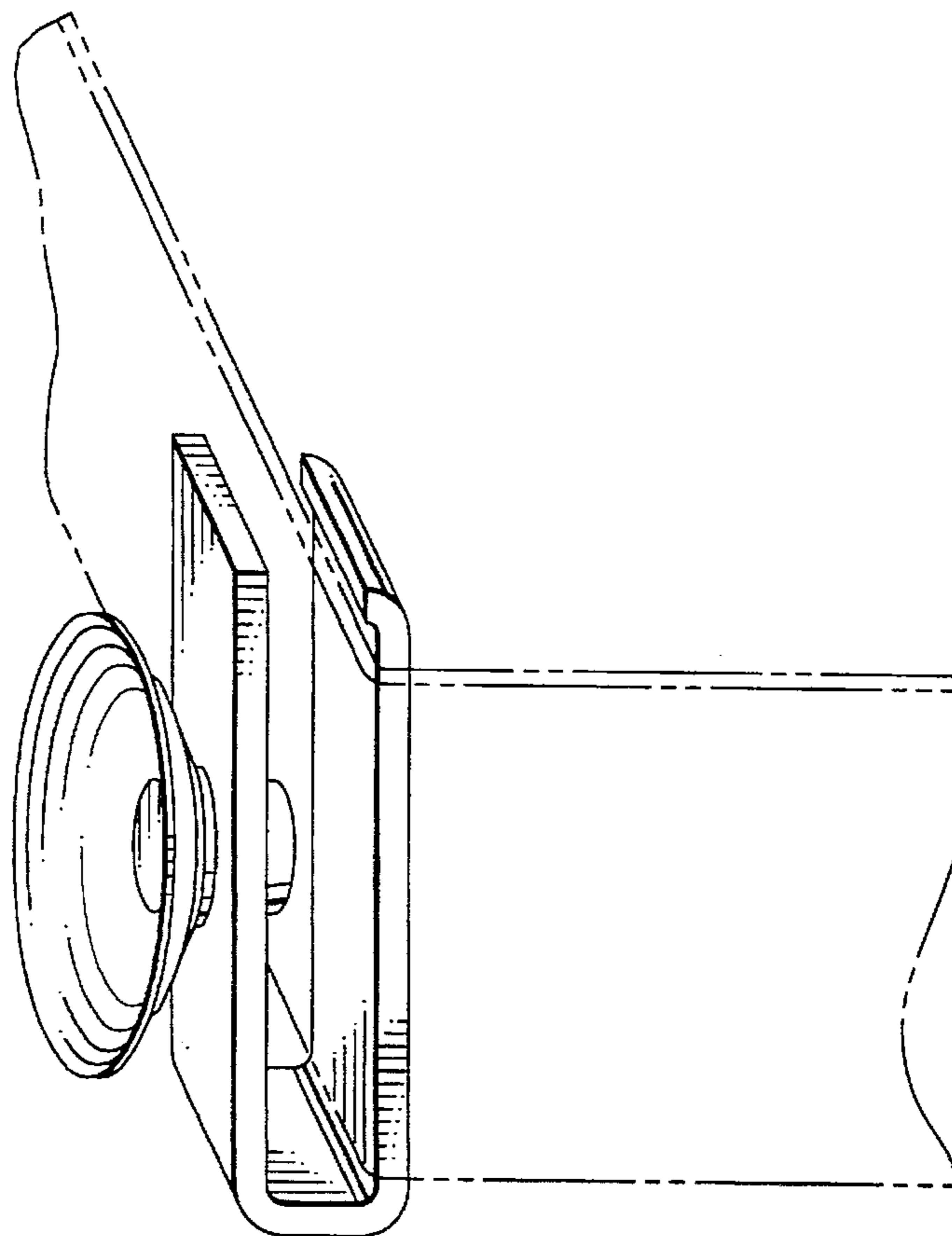
The ornamental design for a shoulder belt retainer, as shown and described.

### DESCRIPTION

FIG. 1 is a front side perspective view of a shoulder belt retainer showing our new design; FIG. 2 is a right side, elevational view thereof; FIG. 3 is a left side, elevational view thereof; FIG. 4 is a front elevational view thereof; FIG. 5 is a rear elevational view thereof; FIG. 6 is a bottom plan view thereof; and, FIG. 7 is a top plan view thereof.

The broken line showing of a partial belt in FIG. 1 is for illustrative purpose only and forms no part of the claimed design. The structure shown in dashed lines in FIG. 1, 2, 3, and 7 is not part of the claimed design.

**1 Claim, 2 Drawing Sheets**



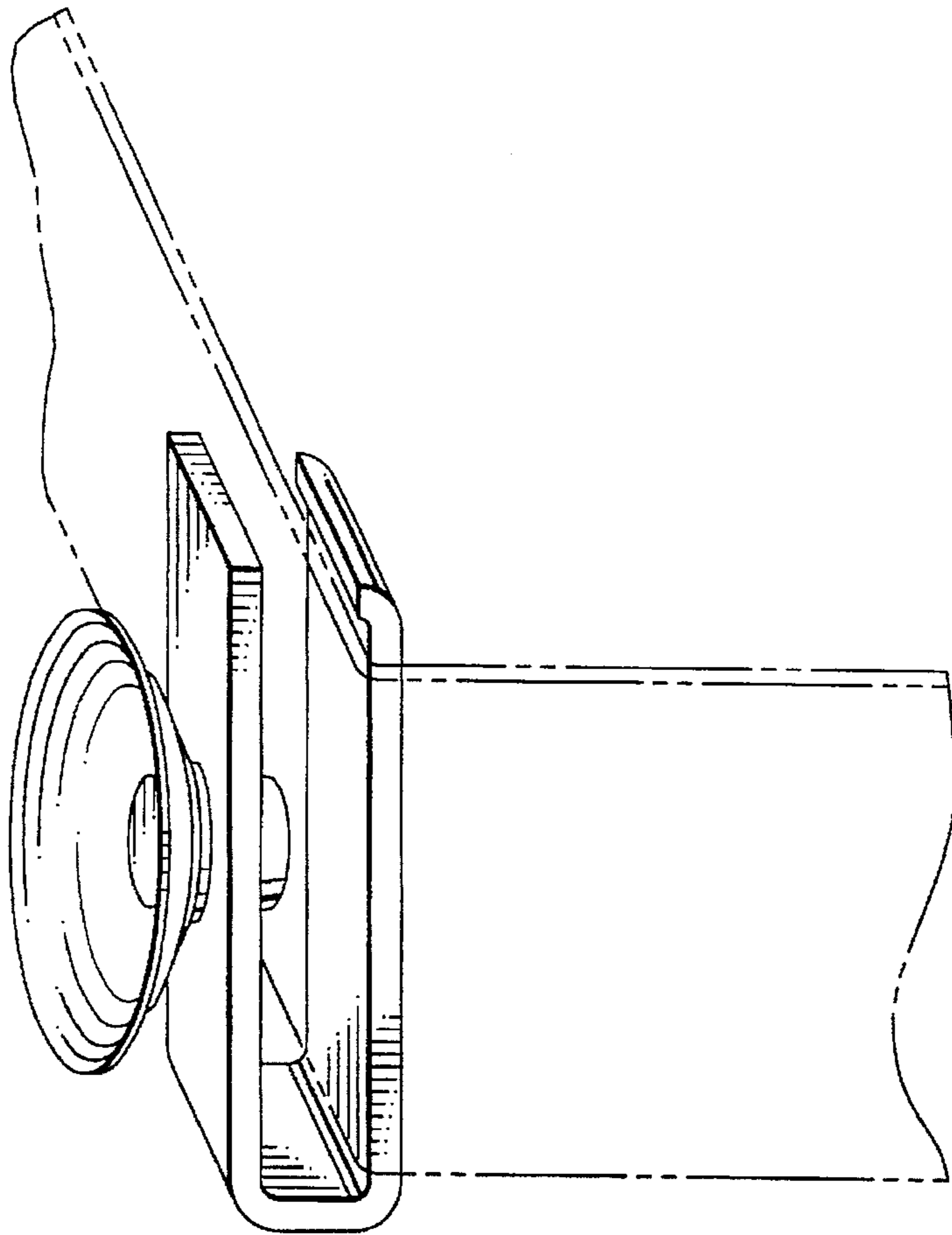


FIG. 1

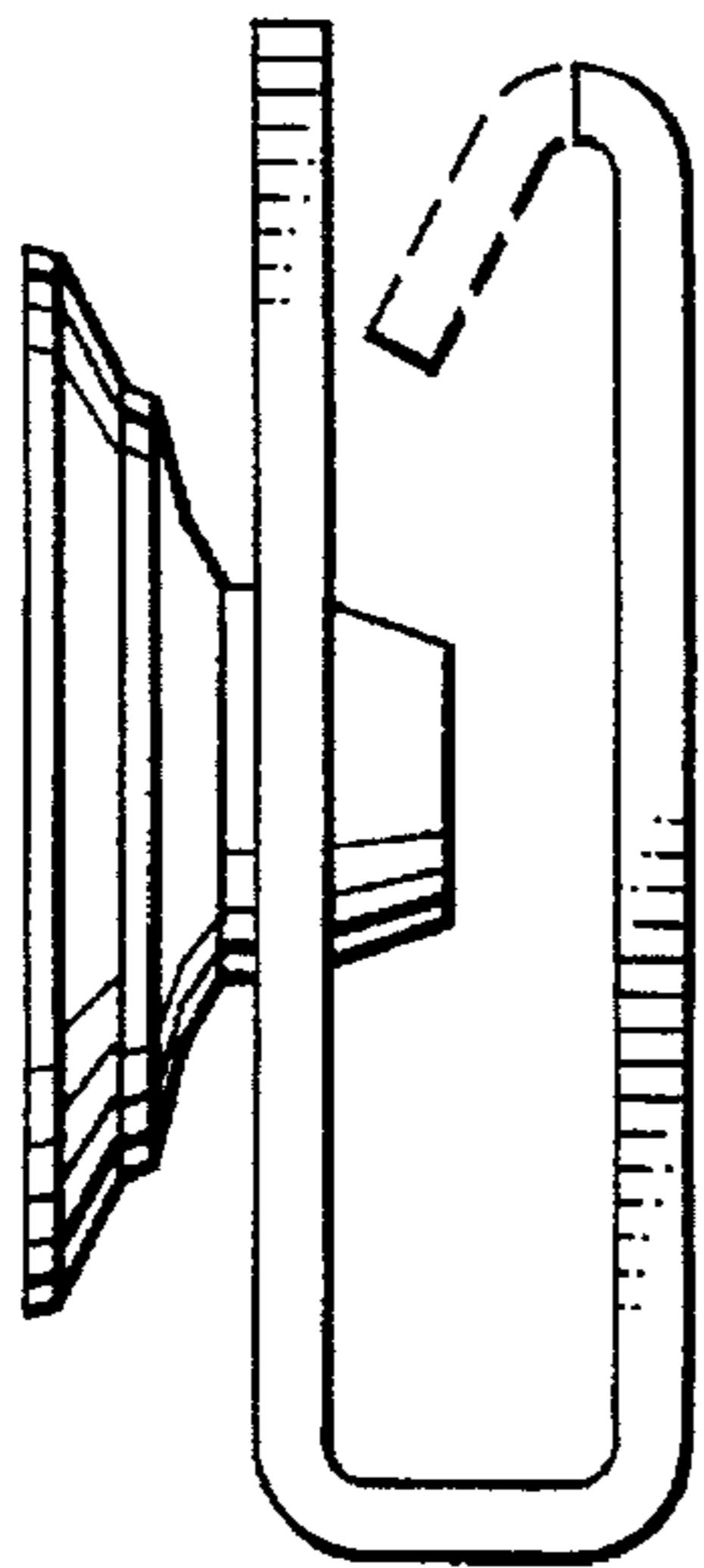


FIG. 2

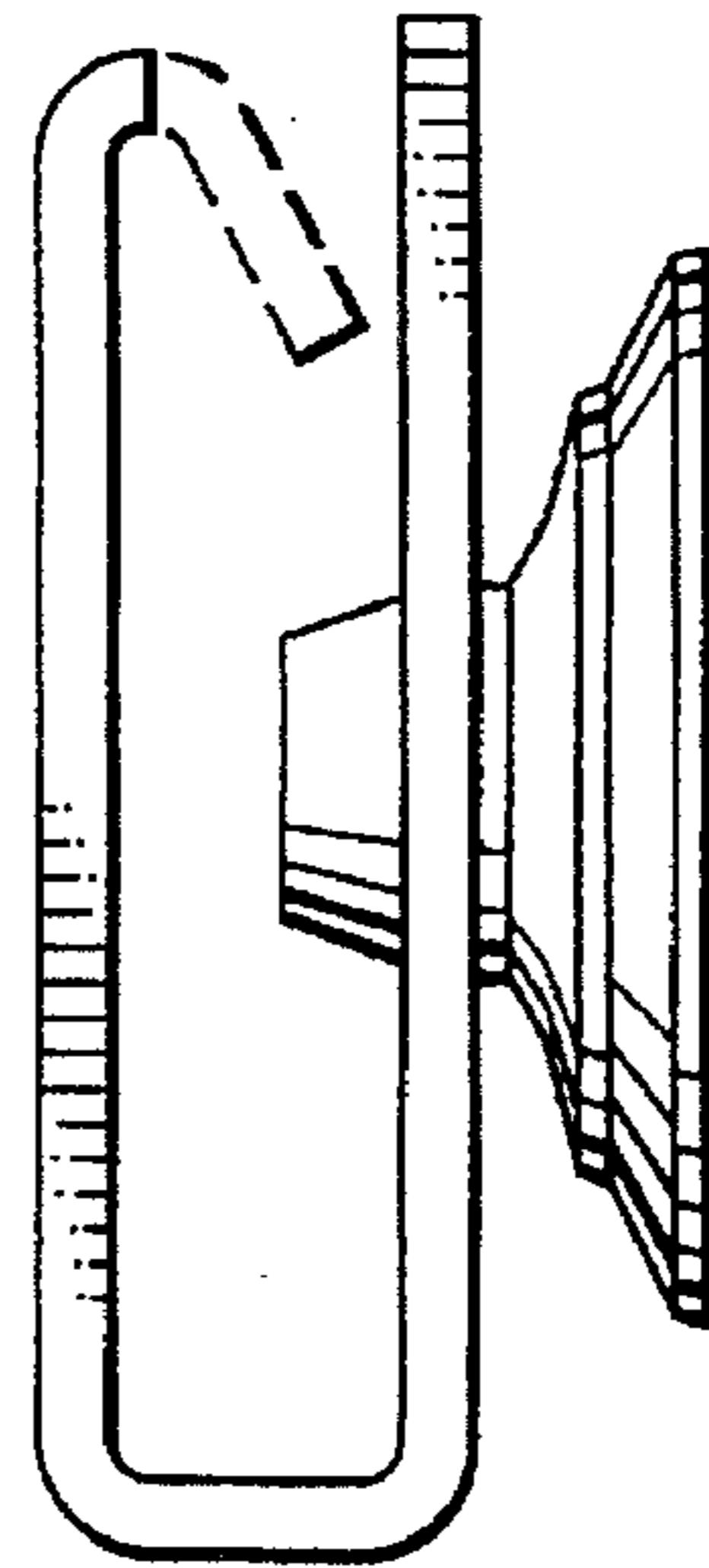


FIG. 3

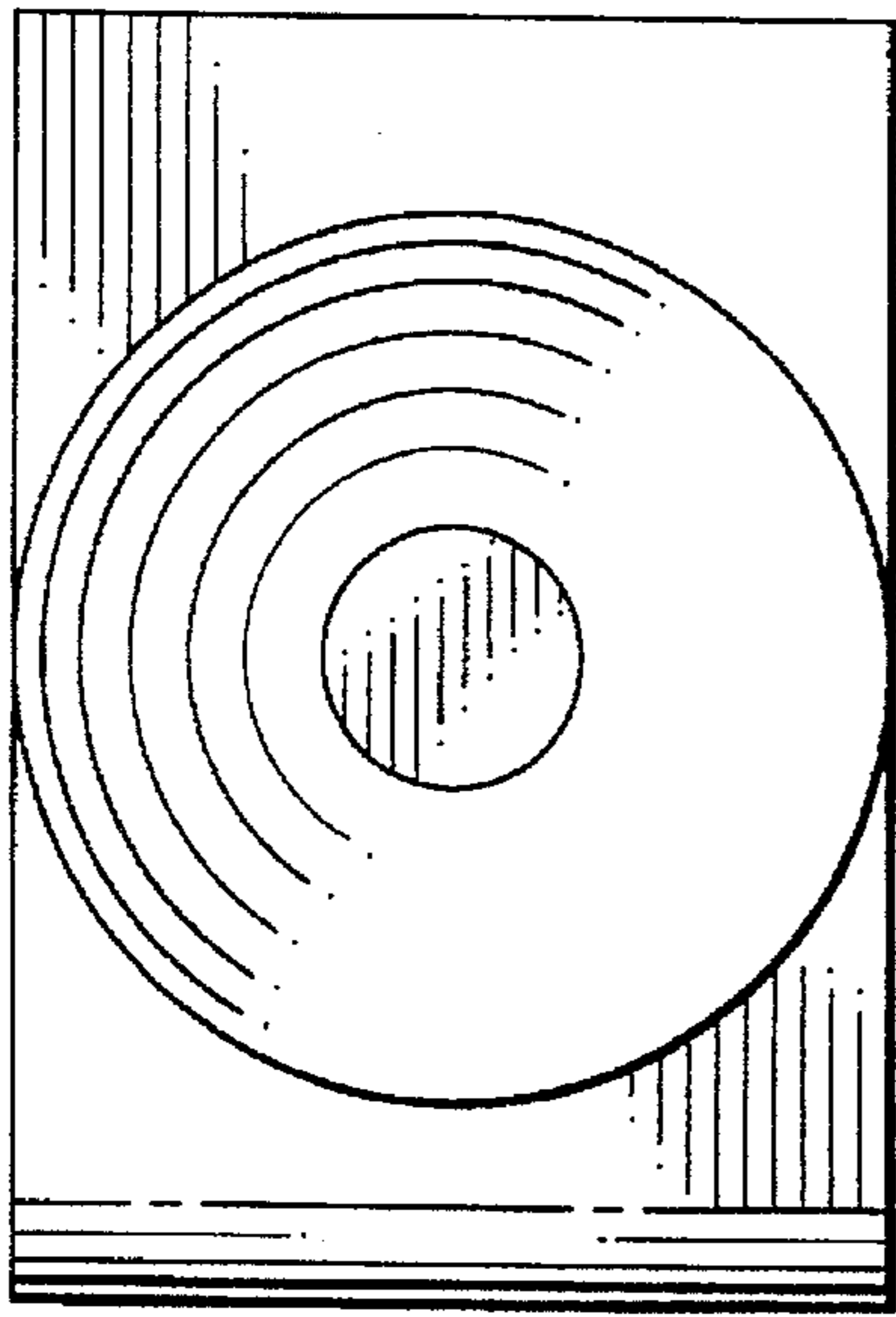


FIG. 4

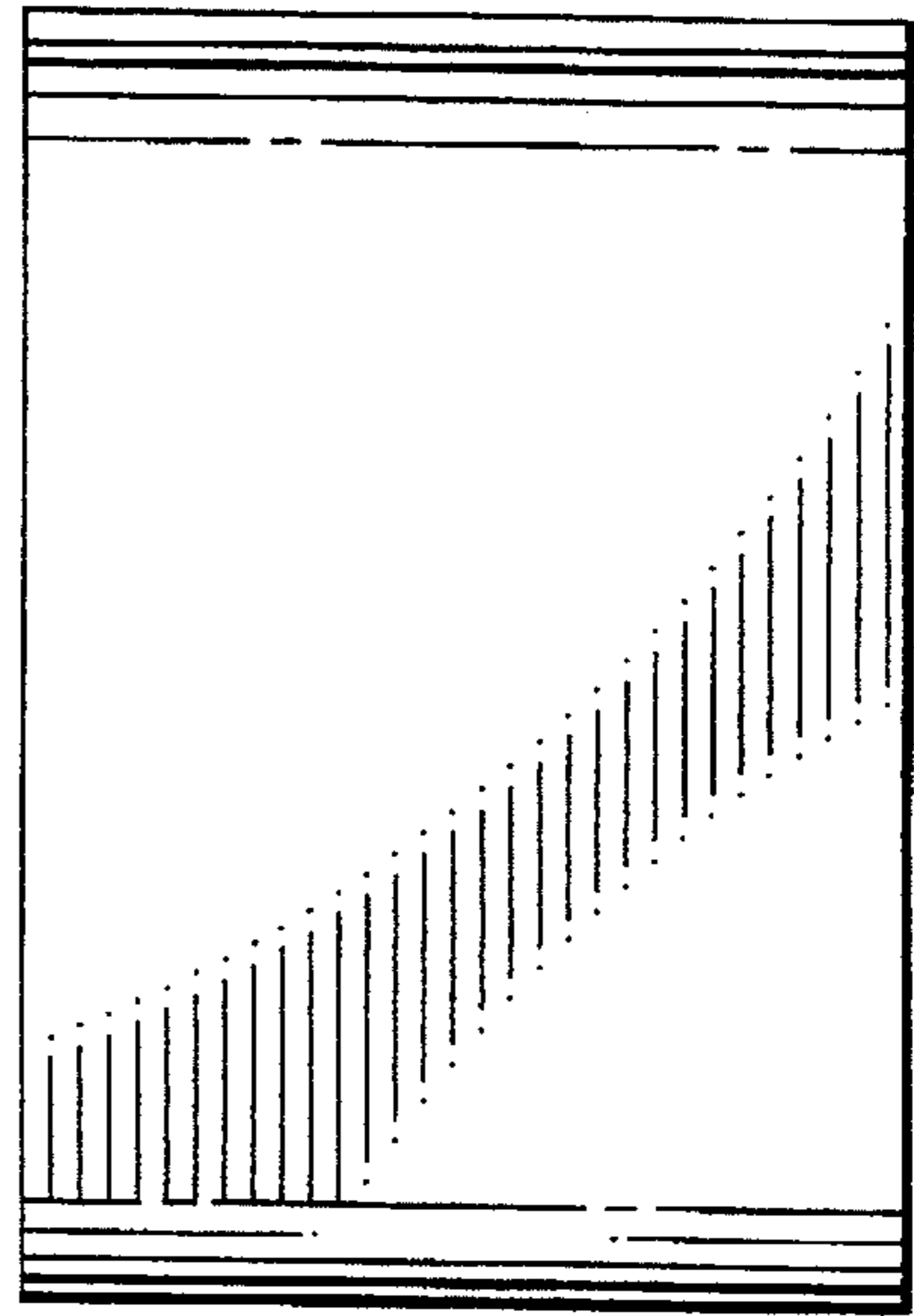


FIG. 5



FIG. 6

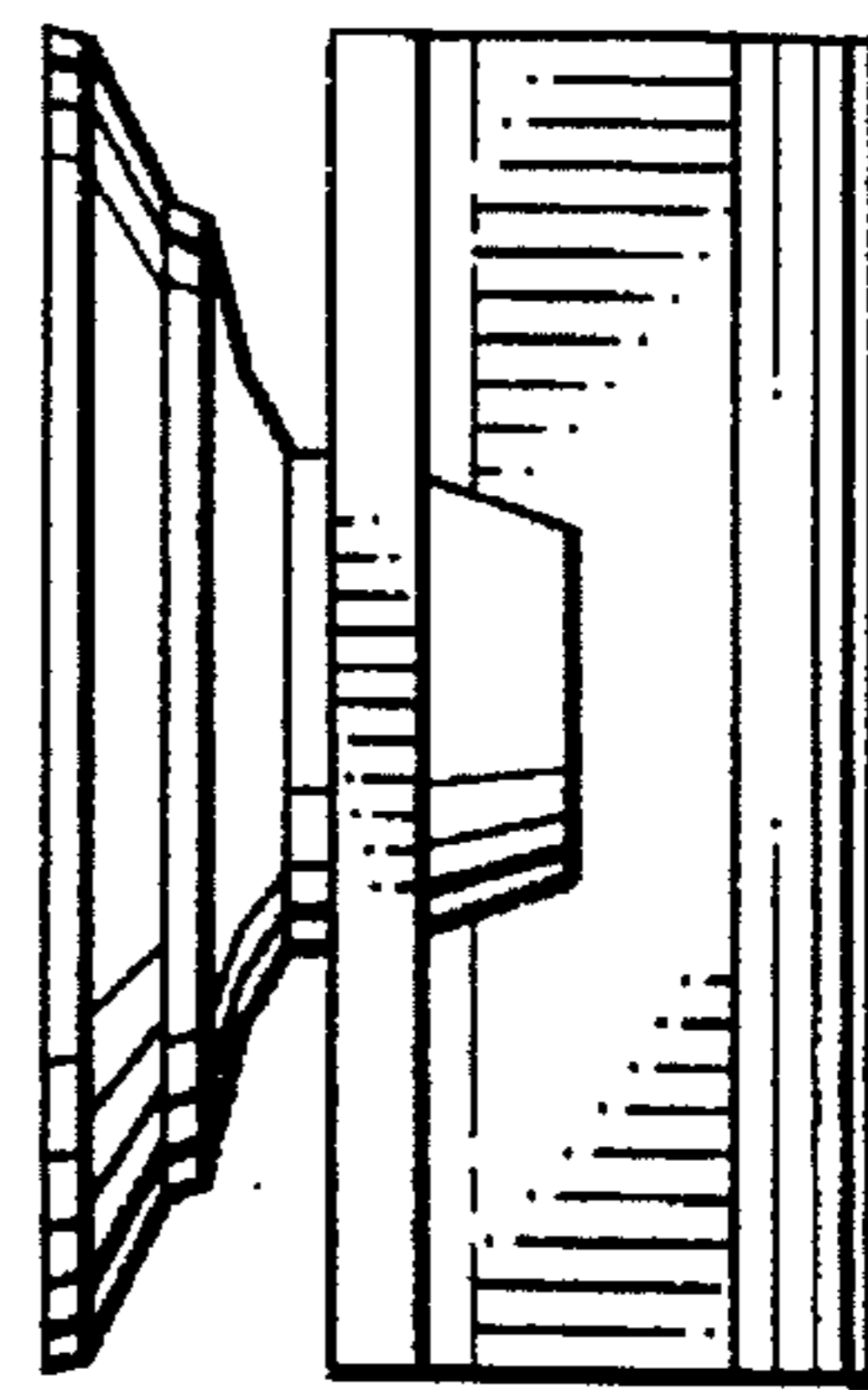


FIG. 7