



US00D380692S

United States Patent [19]

Heun

[11] Patent Number: **Des. 380,692**

[45] Date of Patent: ****Jul. 8, 1997**

[54] **RECEIVER OF AN ELECTRONIC DOG COLLAR**

2,455,843 5/1948 Jacob D30/152
3,944,803 3/1976 Chao D30/152

[75] Inventor: **Ping Hay Heun**, Kowloon, Hong Kong

Primary Examiner—Marcus Jackson
Attorney, Agent, or Firm—Fulwider Patton Lee & Utecht, LLP

[73] Assignee: **GSL Rechargeable Products, Ltd.**,
Kowloon, Hong Kong

[57] CLAIM

[**] Term: **14 Years**

The ornamental design for a receiver of an electronic dog collar, as shown and described.

[21] Appl. No.: **37,257**

DESCRIPTION

[22] Filed: **Apr. 7, 1995**

[51] **LOC (6) Cl.** **10-05**

[52] **U.S. Cl.** **D10/104**

[58] **Field of Search** D30/199, 152,
D30/151, 156; 54/71; 119/29, 106, 108;
340/541, 548, 551, 552, 553, 555, 556,
561, 571, 572, 573; D10/104, 106, 121

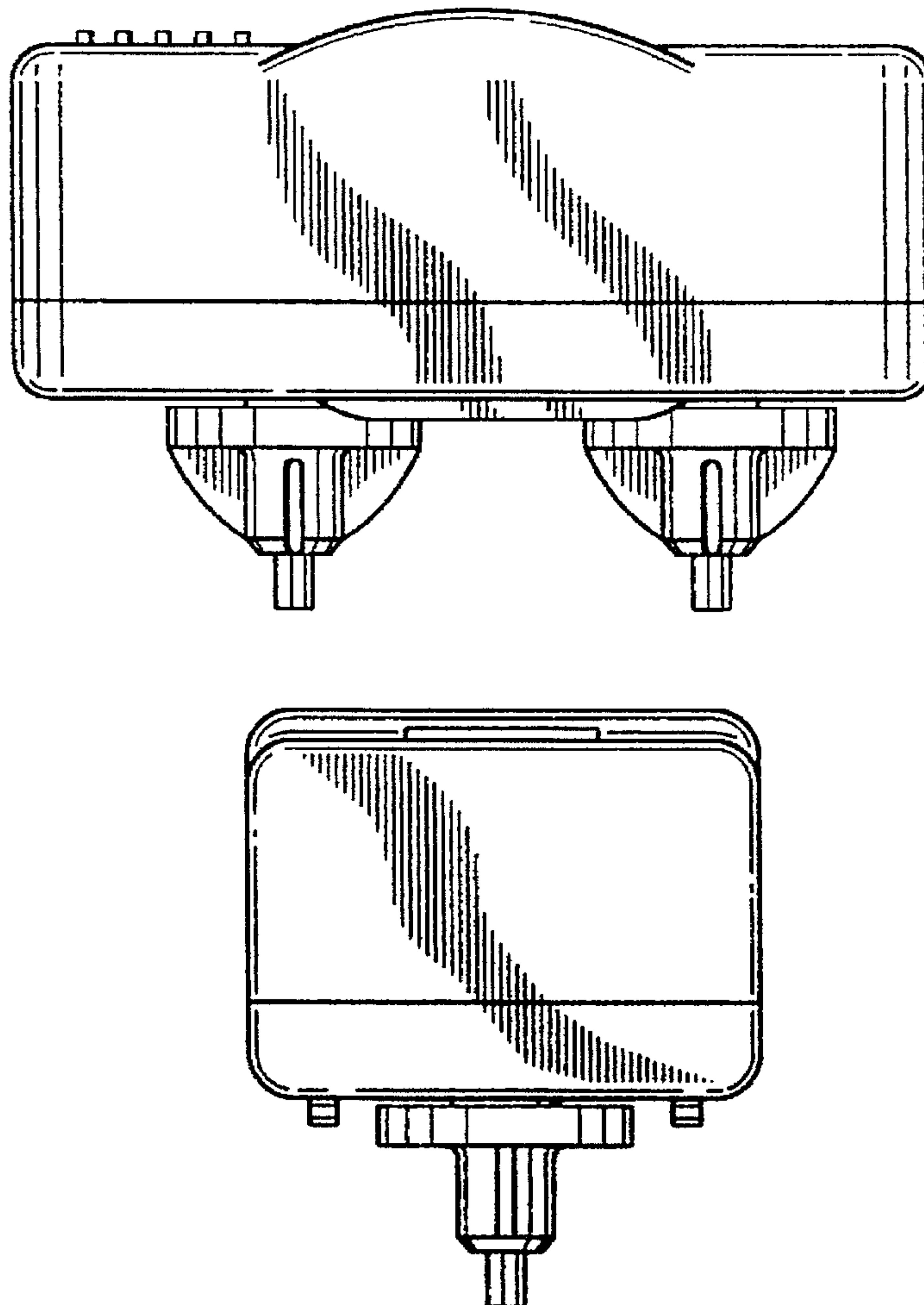
FIG. 1 is a front elevational view of a receiver of an electronic dog collar showing my new design;
FIG. 2 is a back elevational view of the receiver of an electronic dog collar shown in FIG. 1;
FIG. 3 is a top view of the receiver of an electronic dog collar shown in FIG. 1;
FIG. 4 is a bottom view of the receiver of an electronic dog collar shown in FIG. 1;
FIG. 5 is a left-side elevational view of the receiver of an electronic dog collar shown in FIG. 1; and,
FIG. 6 is a right-side elevational view of the receiver of an electronic dog collar shown in FIG. 1.

[56] References Cited

U.S. PATENT DOCUMENTS

D. 298,872 12/1988 Cassel et al. D30/152
D. 306,504 3/1990 Young D30/152
D. 330,173 10/1992 Juliana et al. D10/106

1 Claim, 1 Drawing Sheet



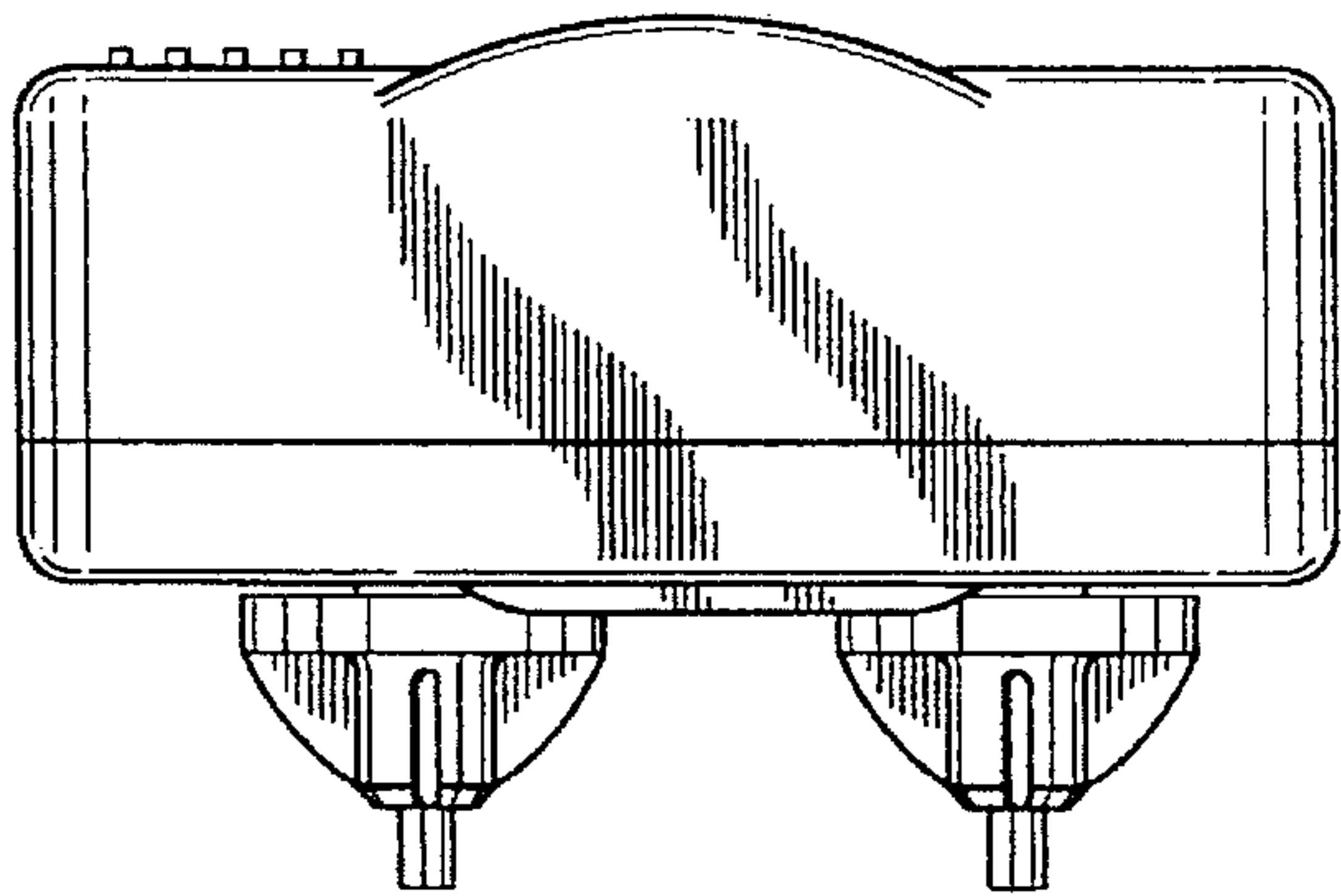


FIG. 1

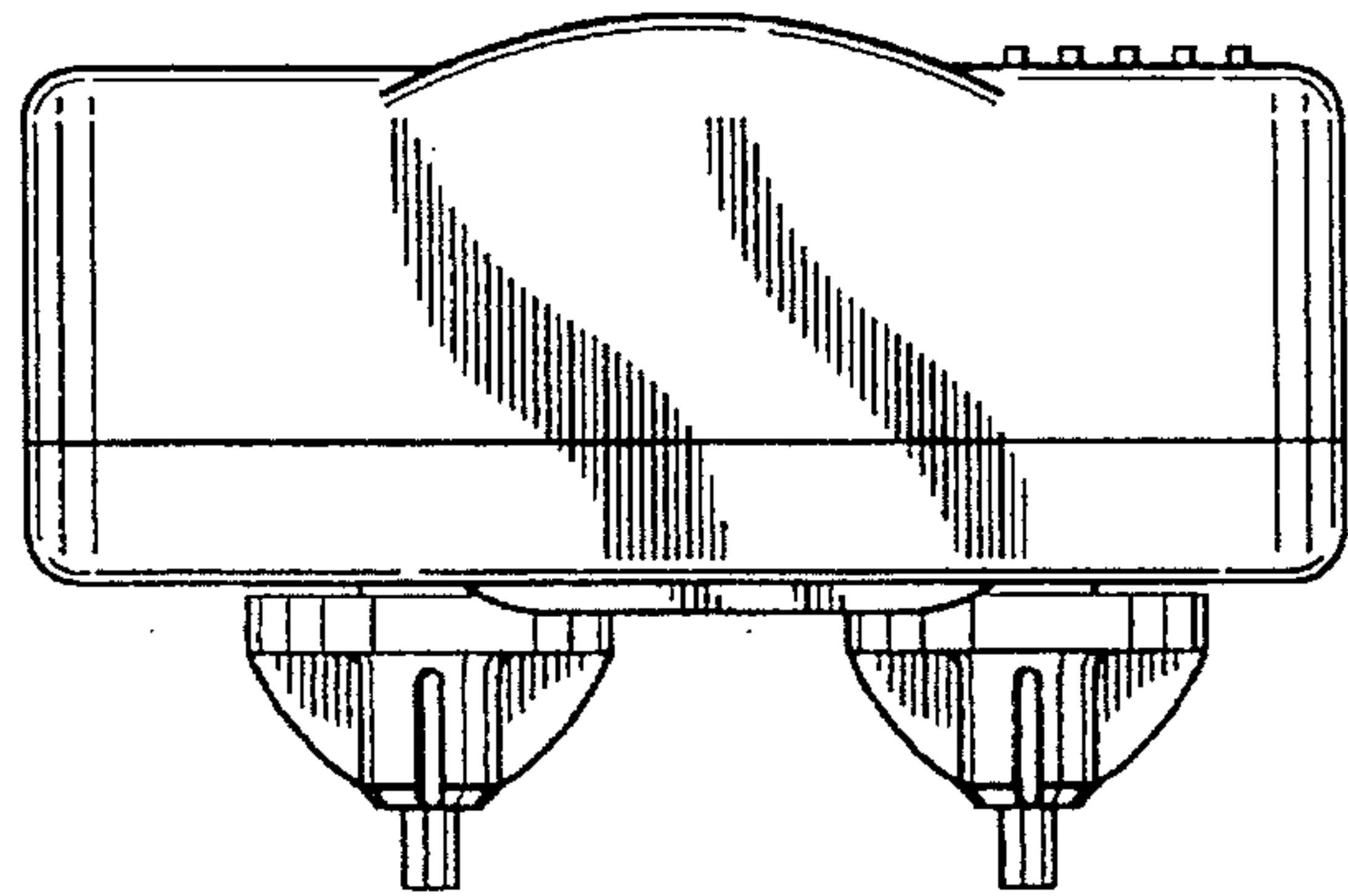


FIG. 2

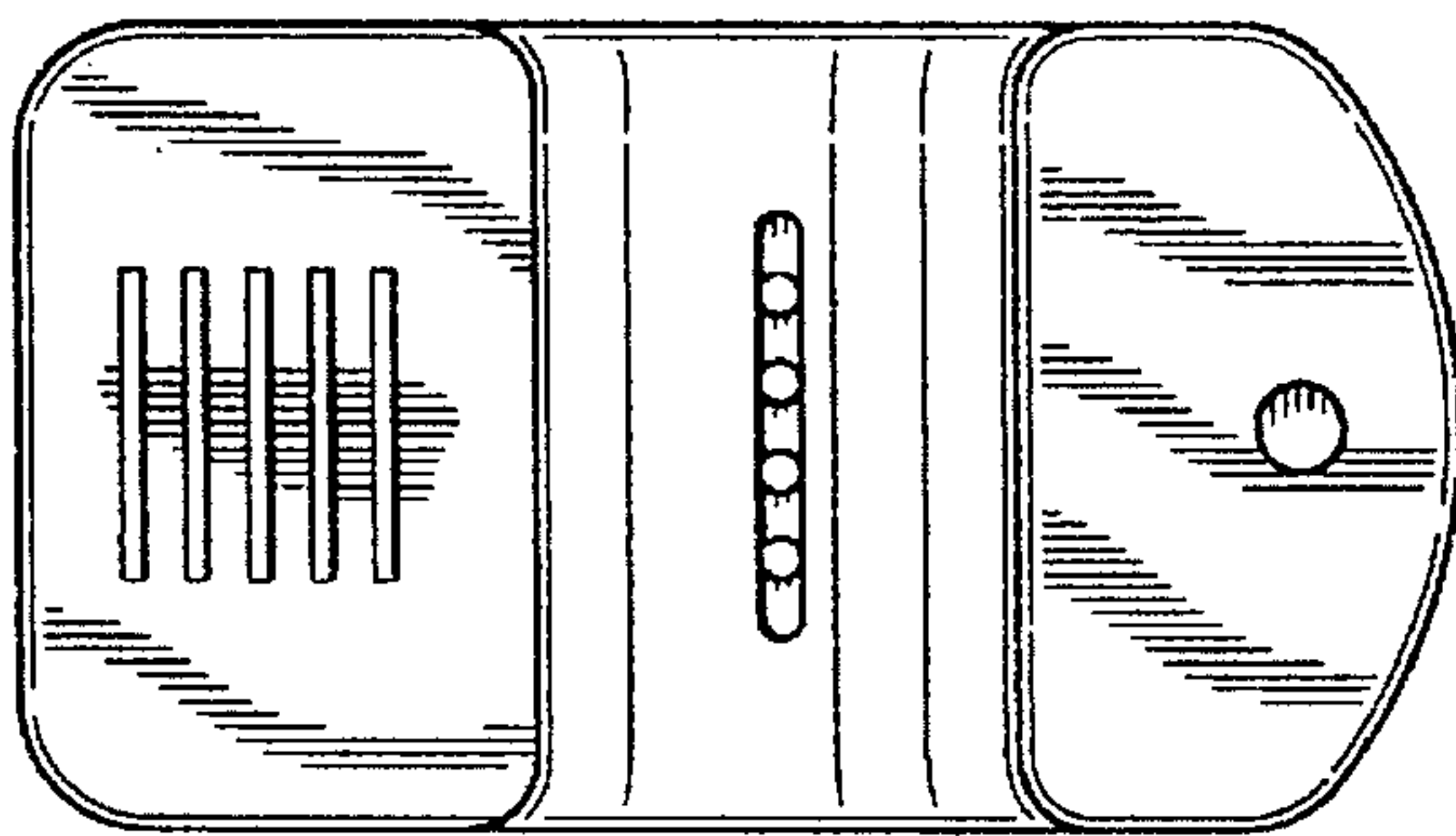


FIG. 3

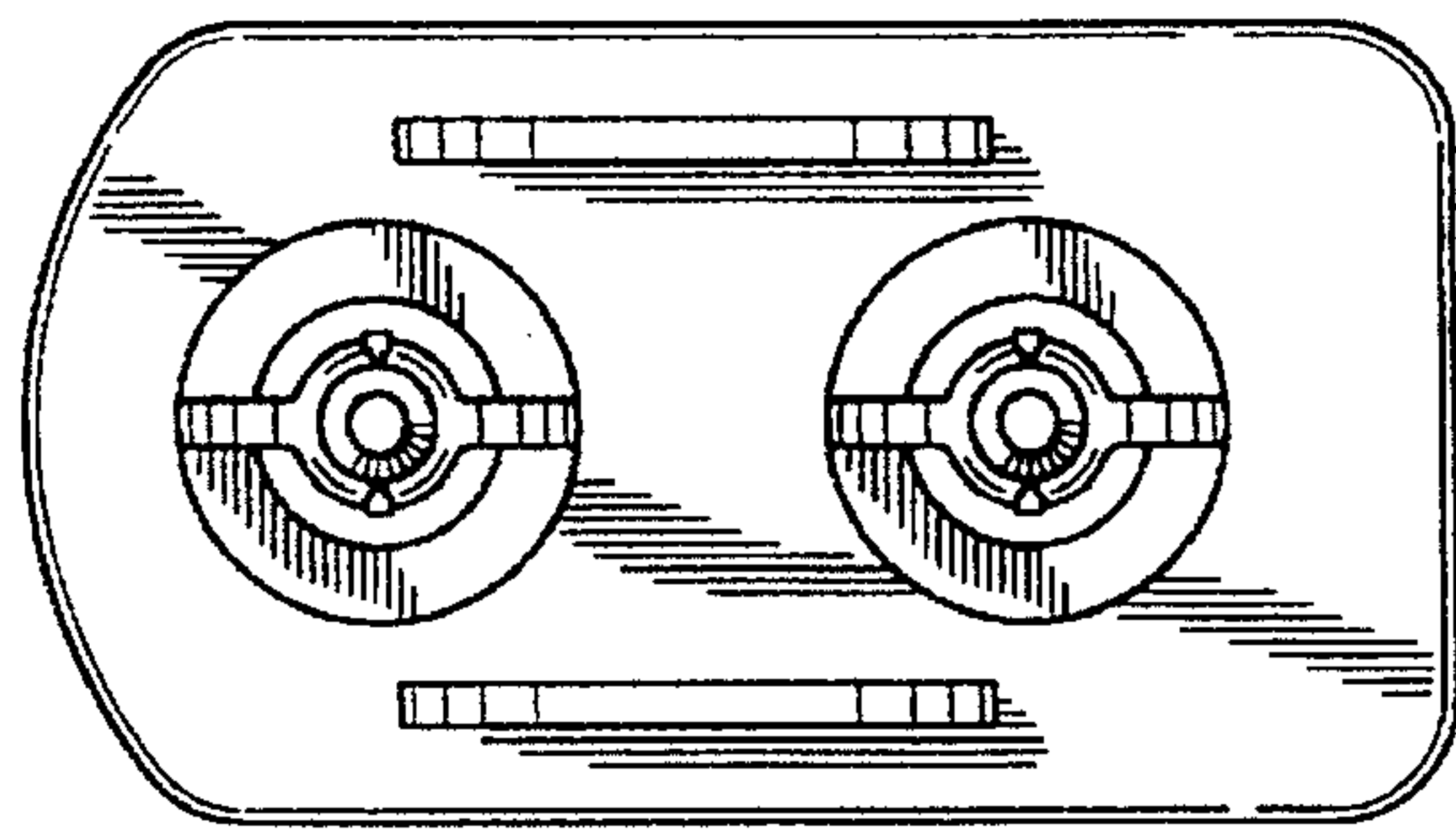


FIG. 4

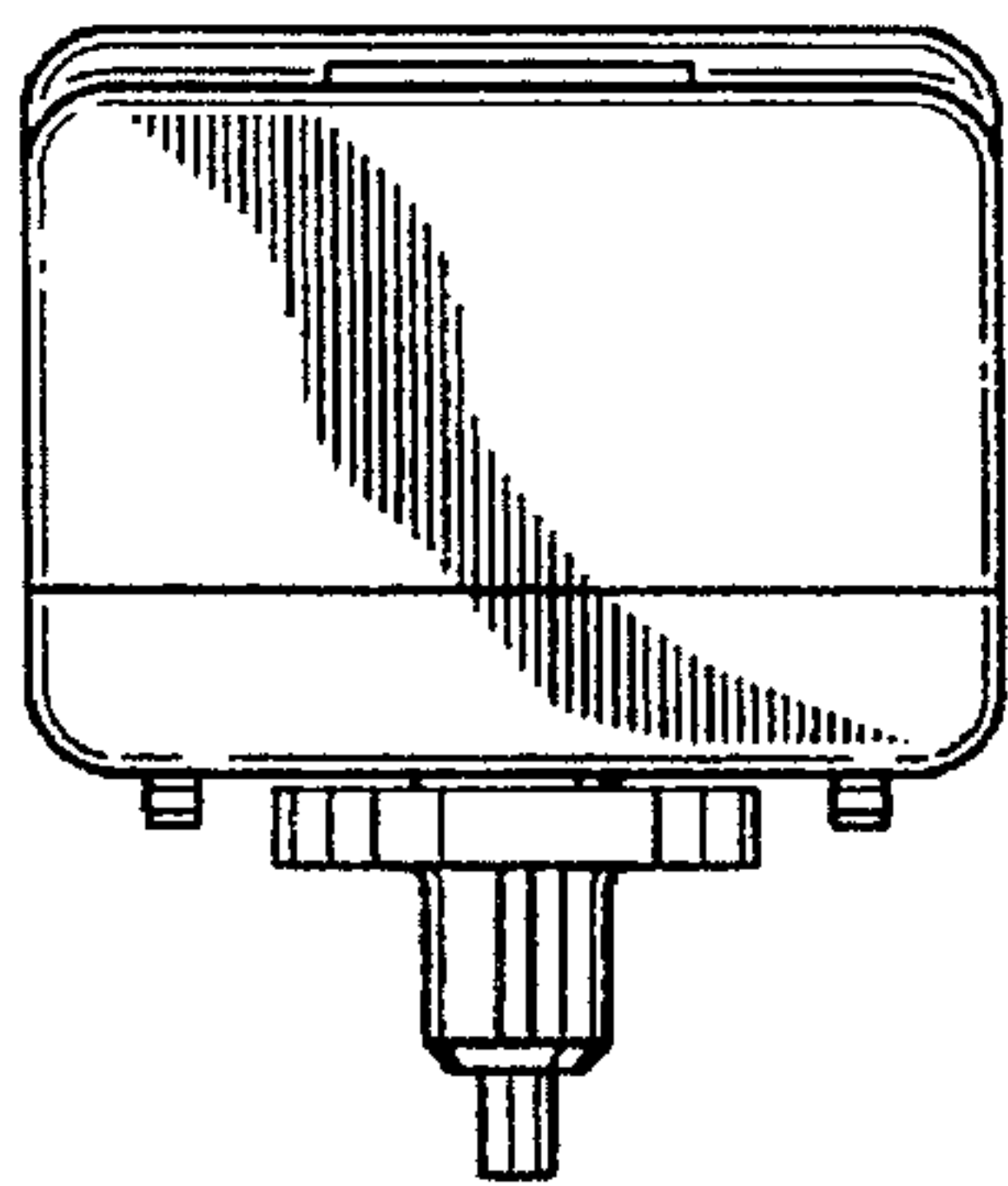


FIG. 5

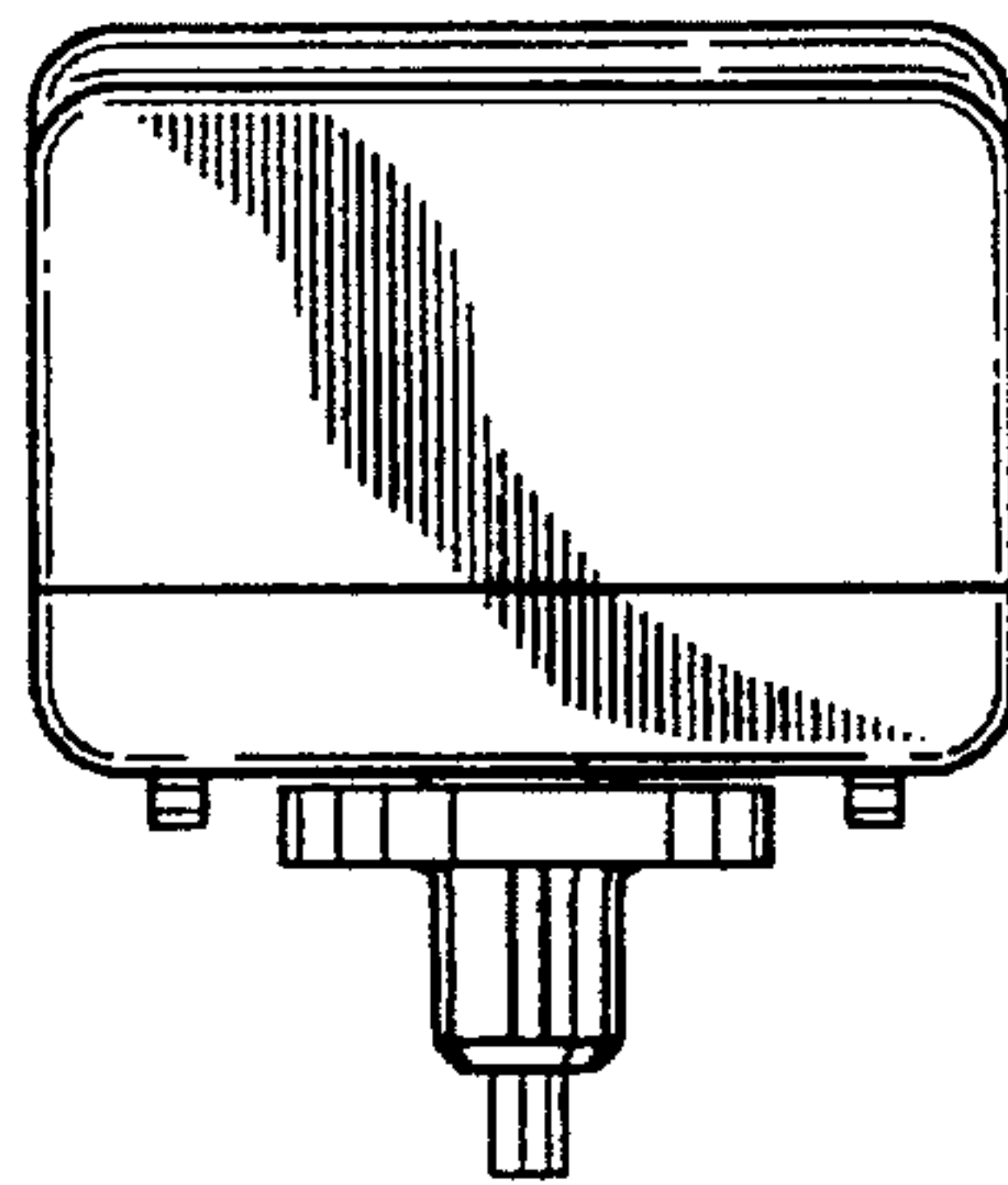


FIG. 6