



US00D380689S

United States Patent [19]

[11] Patent Number: **Des. 380,689**

Hsu

[45] Date of Patent: ****Jul. 8, 1997**

[54] **CLOCK**

D. 289,665	5/1987	Nagano	D21/136
D. 315,931	4/1991	Berggren	D21/128
D. 329,475	9/1992	Revell	D21/128

[76] Inventor: **Hsi-Pin Hsu**, No. 30, San Ning St., Sanchung City, Taipei Hsien, Taiwan

[**] Term: **14 Years**

Primary Examiner—Nelson C. Holtje
Attorney, Agent, or Firm—Bacon & Thomas

[21] Appl. No.: **51,752**

[57] **CLAIM**

[22] Filed: **Mar. 18, 1996**

The ornamental design for a clock, as shown.

[51] LOC (6) Cl. **10-01**

DESCRIPTION

[52] U.S. Cl. **D10/12**

FIG. 1 is a perspective view of a clock showing my design;
FIG. 2 is a front perspective view thereof;
FIG. 3 is a rear perspective view thereof;
FIG. 4 is a left side elevation view thereof;
FIG. 5 is a right side elevation view thereof;
FIG. 6 is a top plan view thereof; and,
FIG. 7 is a bottom plan view thereof.

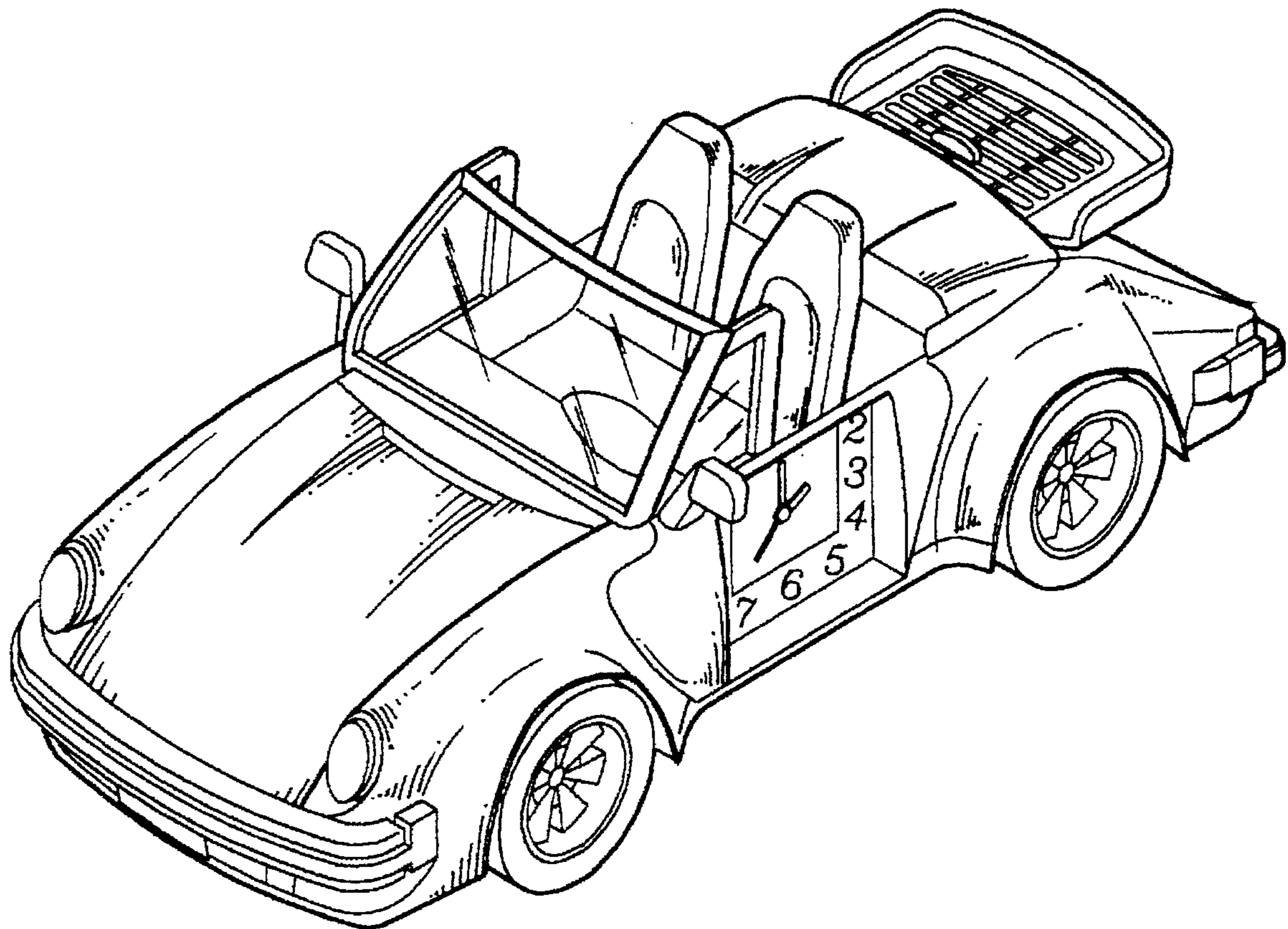
[58] Field of Search D10/6-12; 368/10;
D12/92; D21/109, 115, 124, 128, 136

[56] **References Cited**

U.S. PATENT DOCUMENTS

D. 274,633	7/1984	Terui	D21/136
D. 281,087	10/1985	Ohno	D21/136

1 Claim, 6 Drawing Sheets



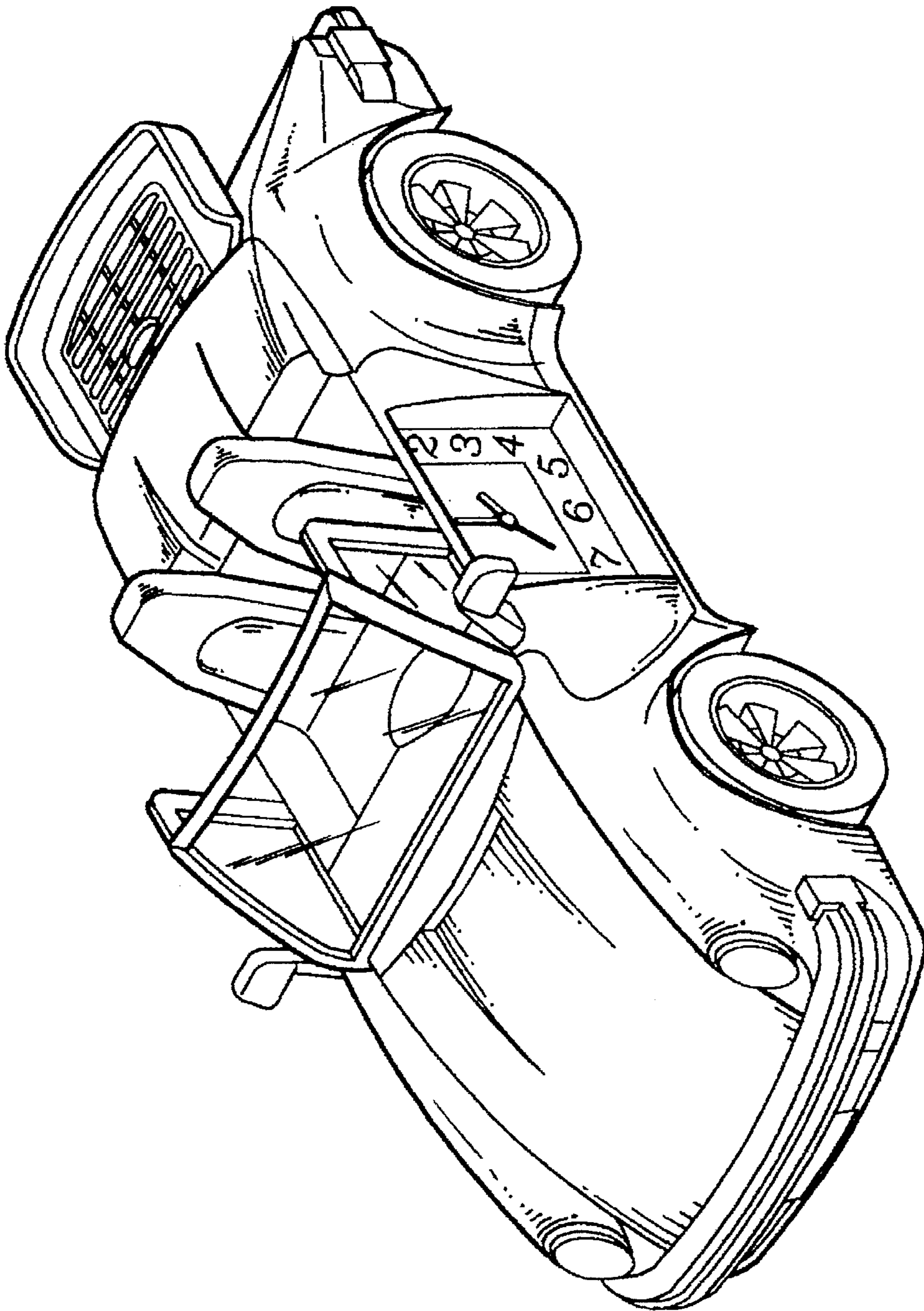


FIG. 1

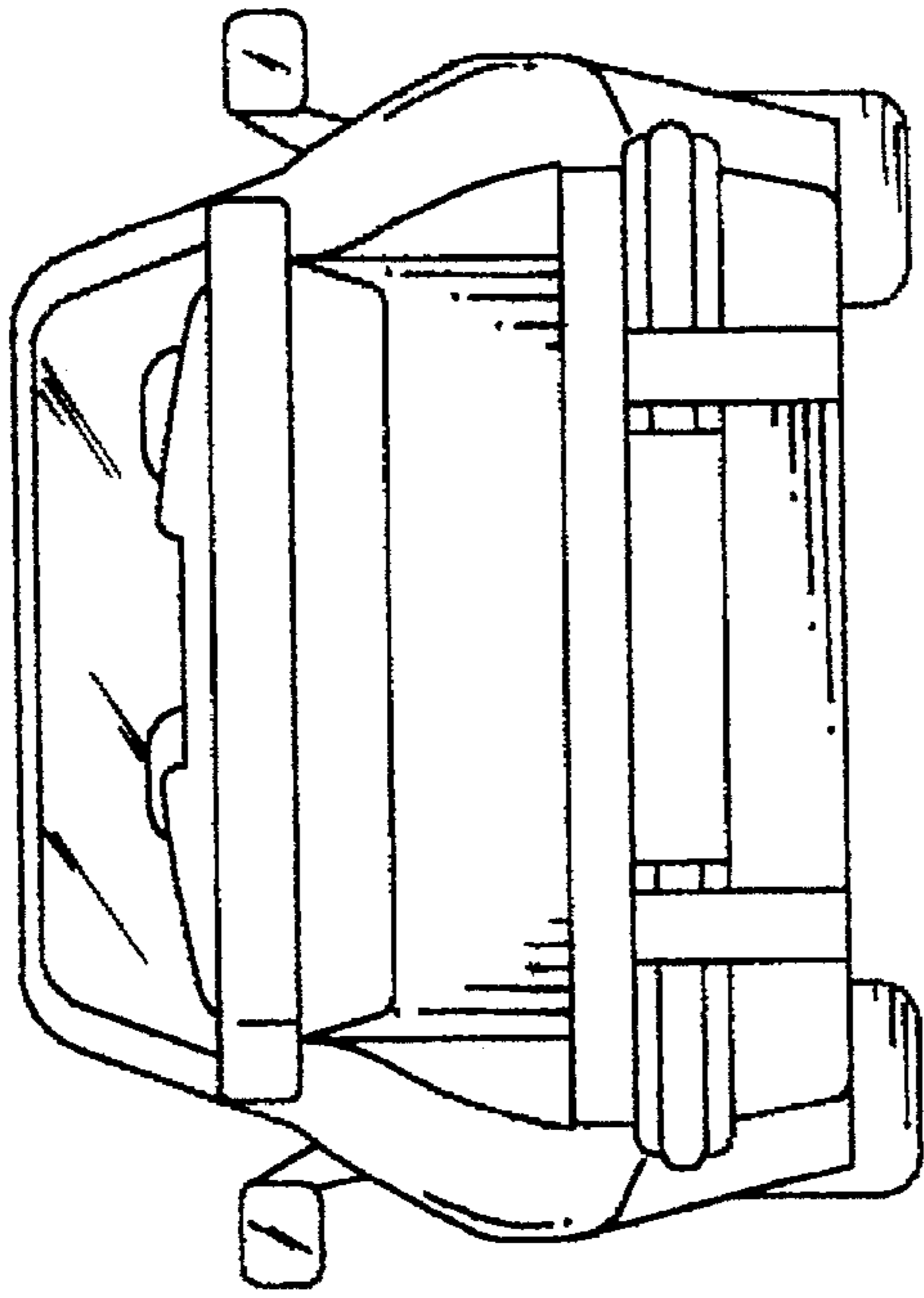


FIG. 3

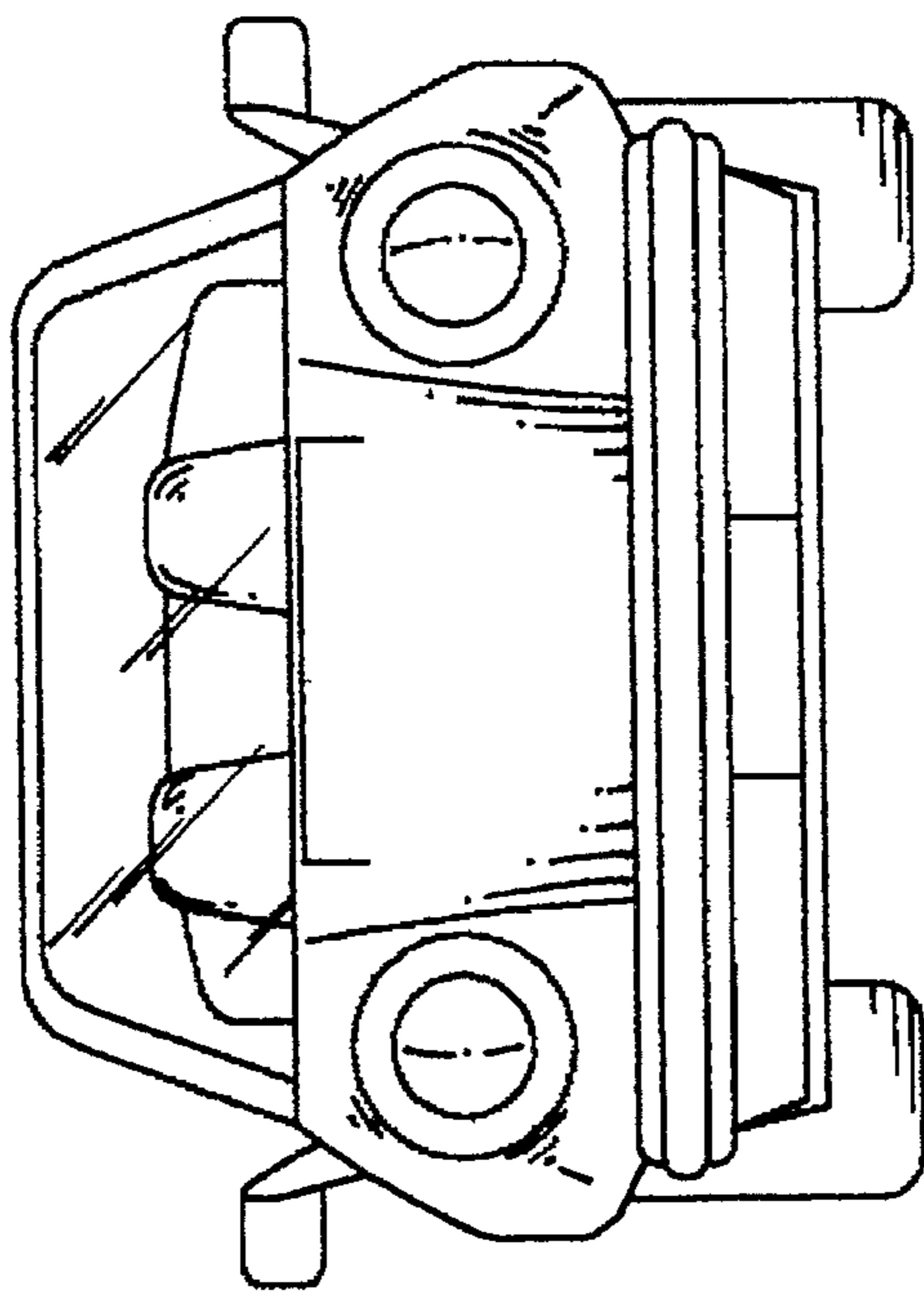


FIG. 2

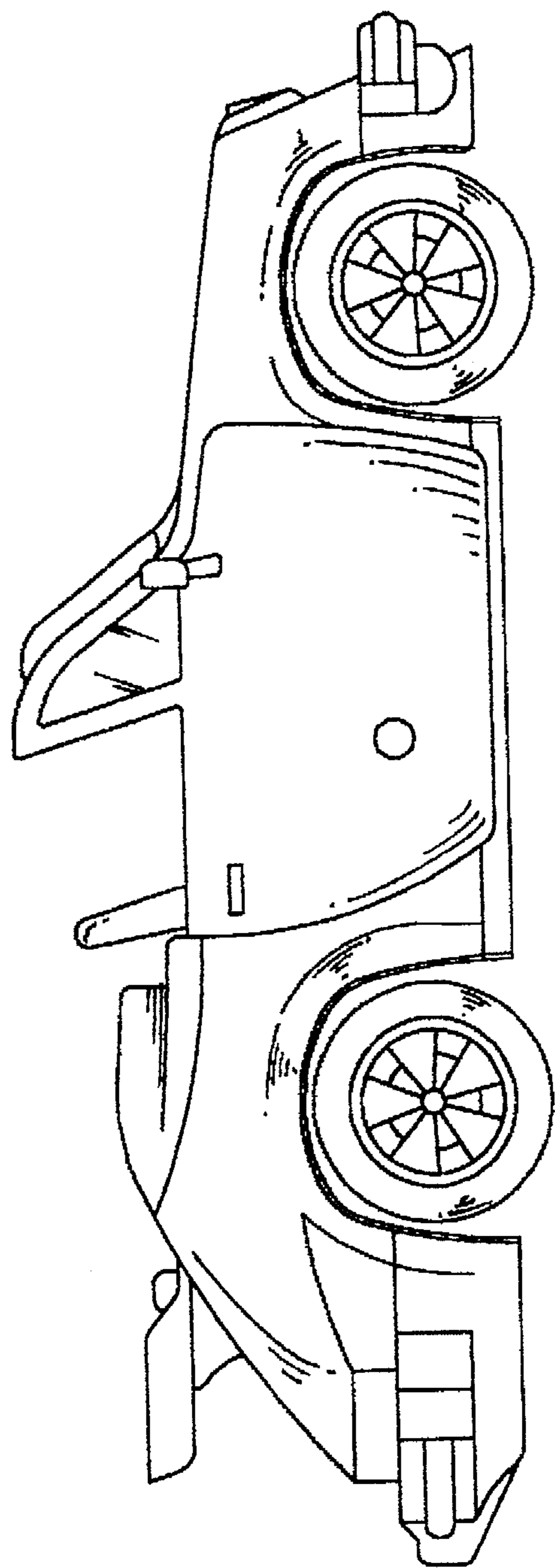


FIG. 4

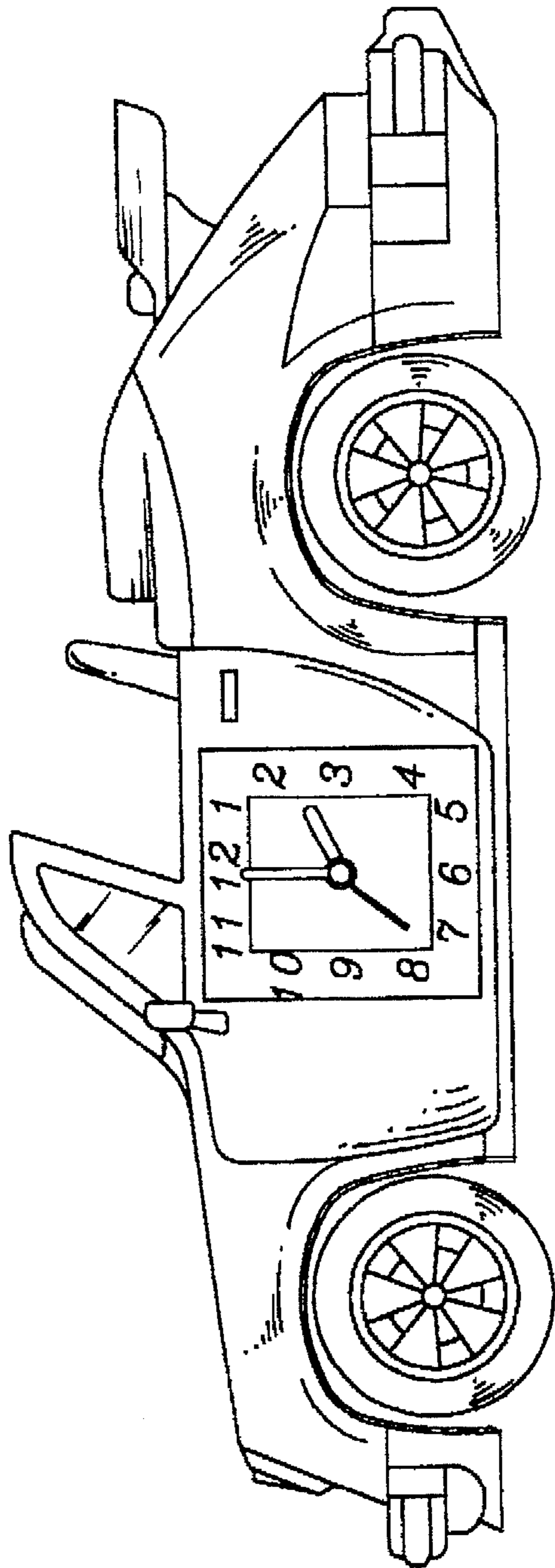


FIG. 5

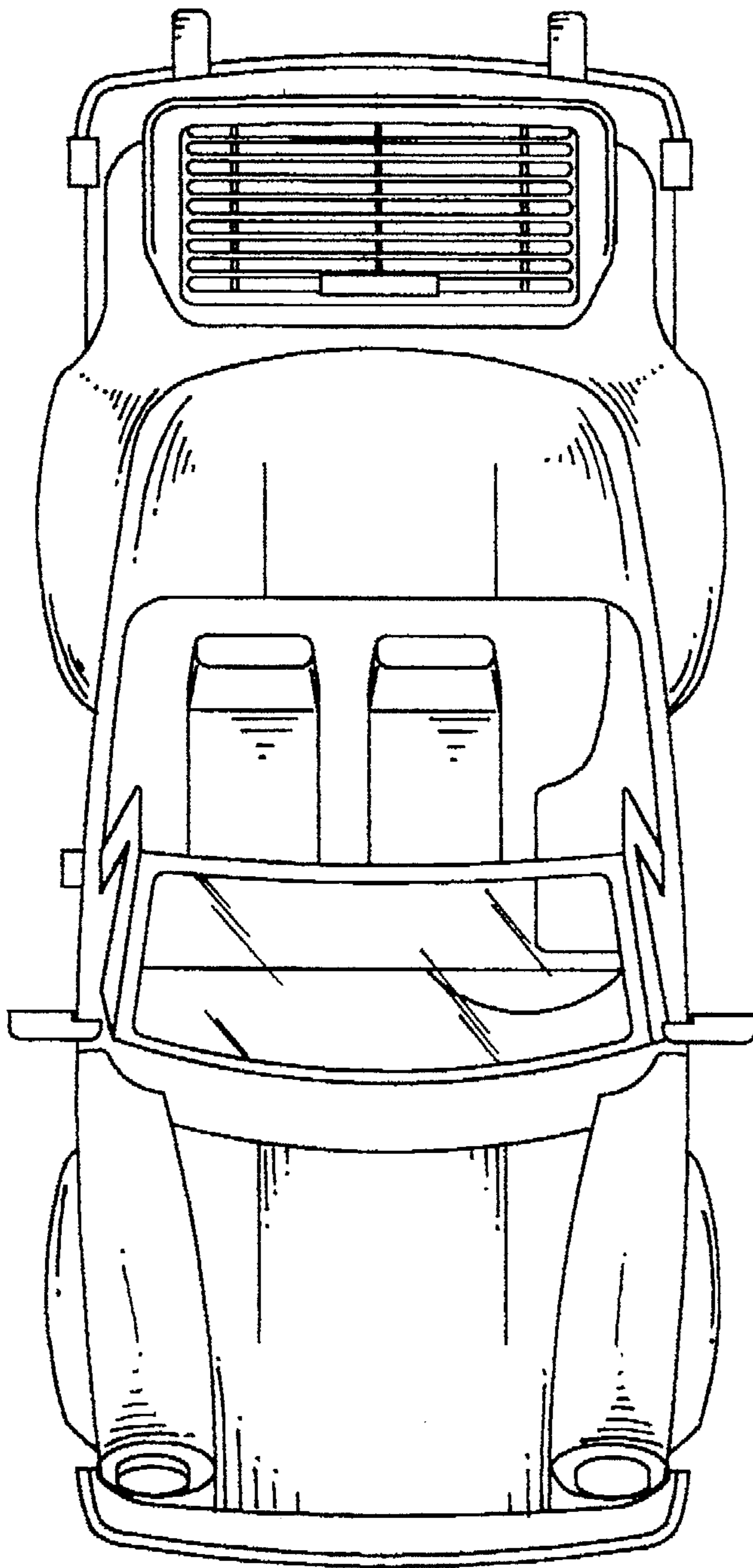


FIG. 6

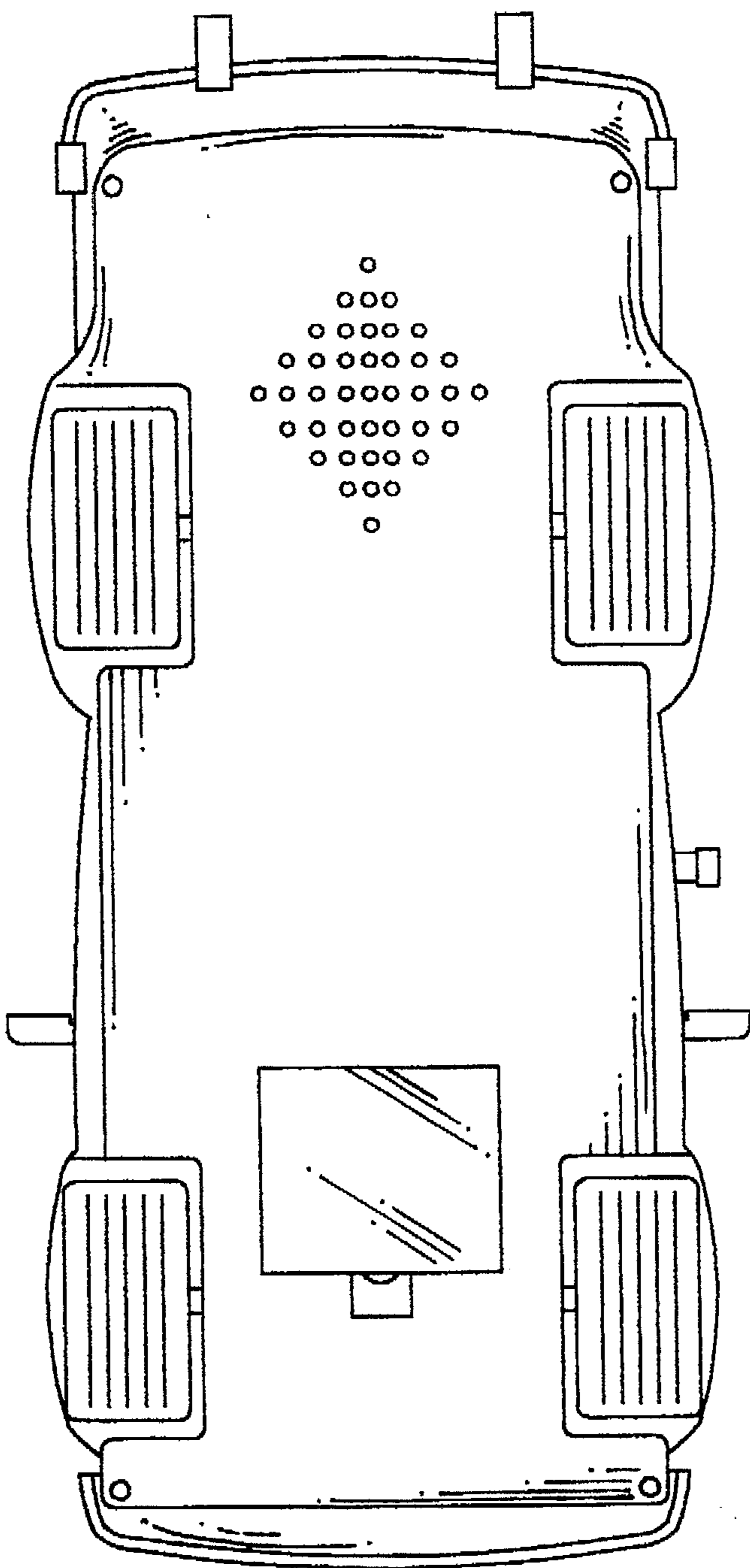


FIG. 7