



US00D380687S

# United States Patent [19]

[11] Patent Number: **Des. 380,687**

Hsu

[45] Date of Patent: **\*\*Jul. 8, 1997**

[54] **CLOCK**

D. 164,309	8/1951	McManus	.....	D21/38
D. 361,516	8/1995	Peersmann	.....	D10/6
1,756,861	4/1930	Hoke	.....	D21/38 X

[76] Inventor: **Hsi-Pin Hsu**, No. 30, San Ning St., Sanchung City, Taipei Hsien, Taiwan

*Primary Examiner*—Nelson C. Holtje  
*Attorney, Agent, or Firm*—Bacon & Thomas

[\*\*] Term: **14 Years**

[57] **CLAIM**

[21] Appl. No.: **51,775**

The ornamental design for a clock, as shown.

[22] Filed: **Mar. 18, 1996**

**DESCRIPTION**

[51] **LOC (6) Cl.** ..... **10-01**

[52] **U.S. Cl.** ..... **D10/6; D21/38**

[58] **Field of Search** ..... **D10/6; D21/38;**  
**273/138; 368/10**

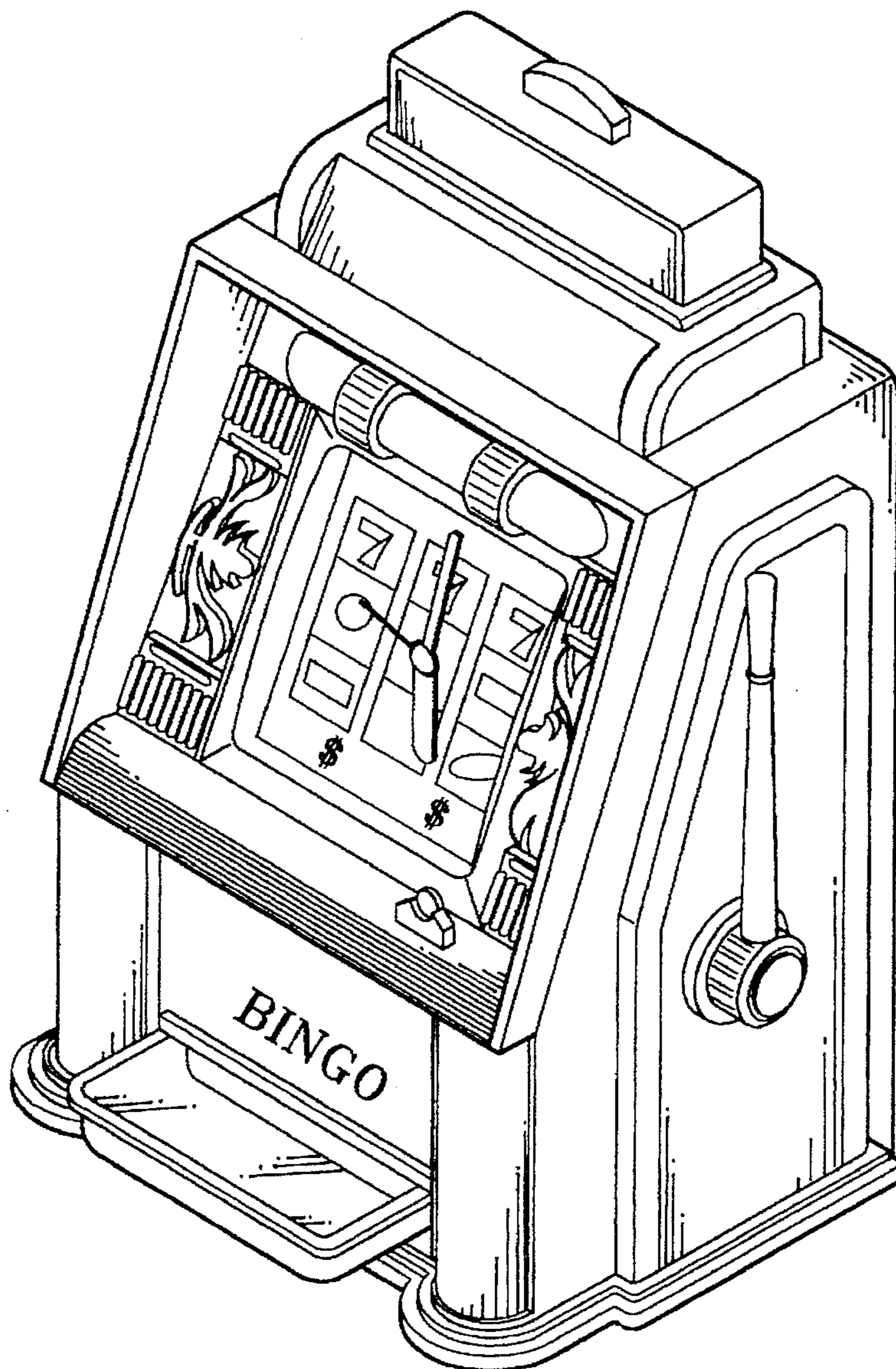
FIG. 1 is a perspective view of a clock showing my design;  
FIG. 2 is a front perspective view thereof;  
FIG. 3 is a rear perspective view thereof;  
FIG. 4 is a right side elevation view thereof;  
FIG. 5 is a left side elevation view thereof;  
FIG. 6 is a top plan view thereof; and,  
FIG. 7 is a bottom plan view thereof.

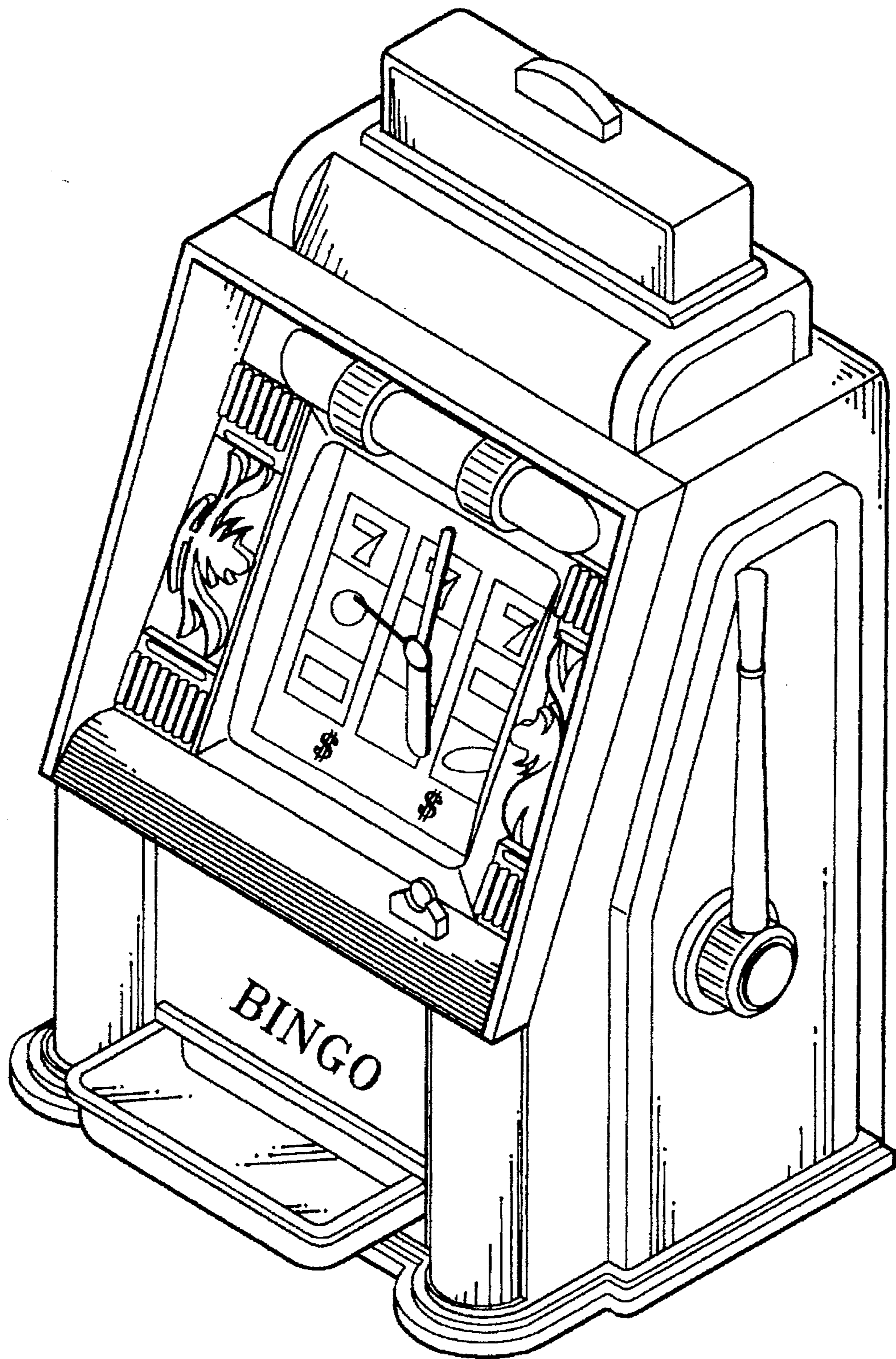
[56] **References Cited**

**U.S. PATENT DOCUMENTS**

D. 87,747	9/1932	Hochriem	.....	D21/38
D. 106,204	9/1937	Knupp	.....	D21/38

**1 Claim, 4 Drawing Sheets**





*FIG. 1*

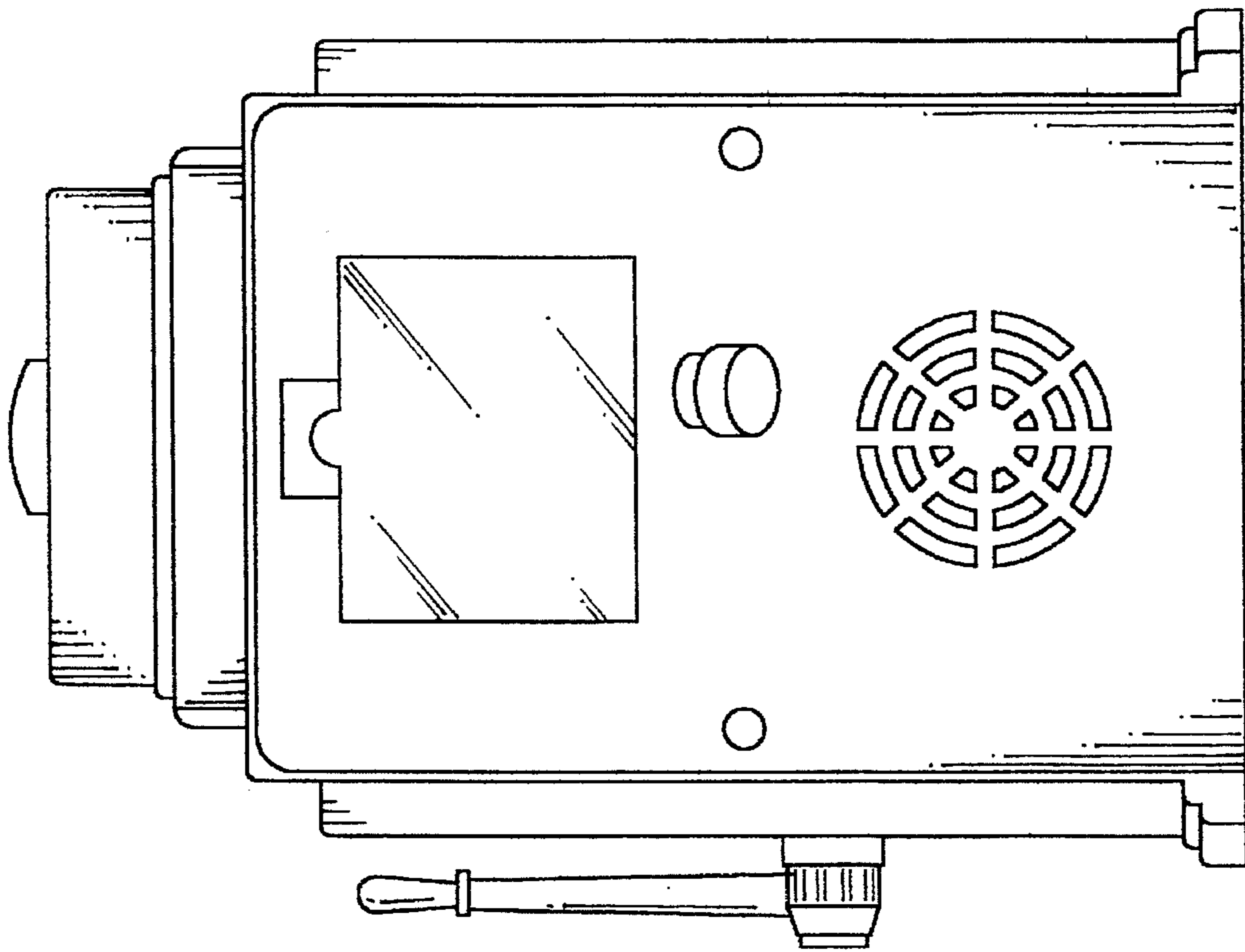


FIG. 2

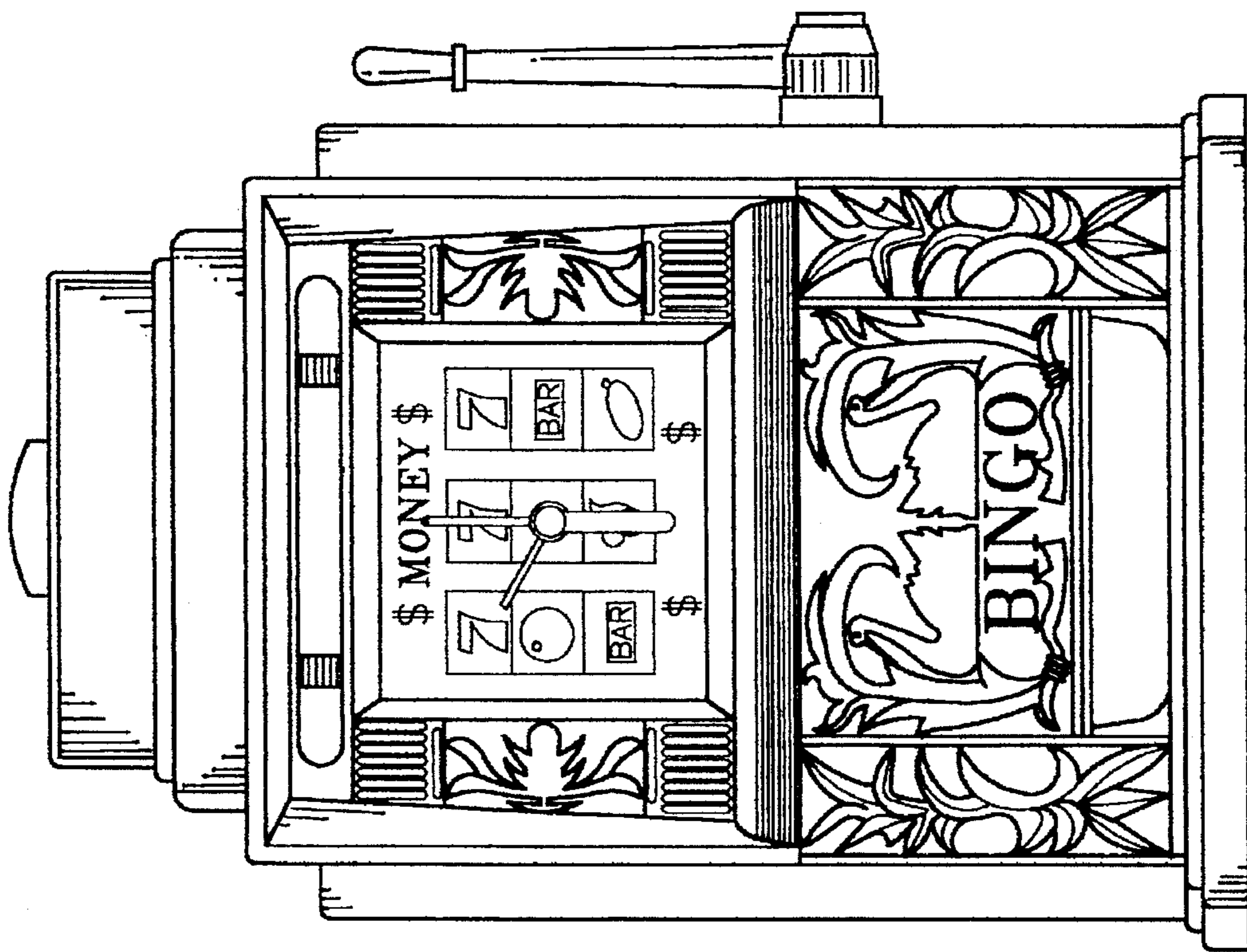


FIG. 3

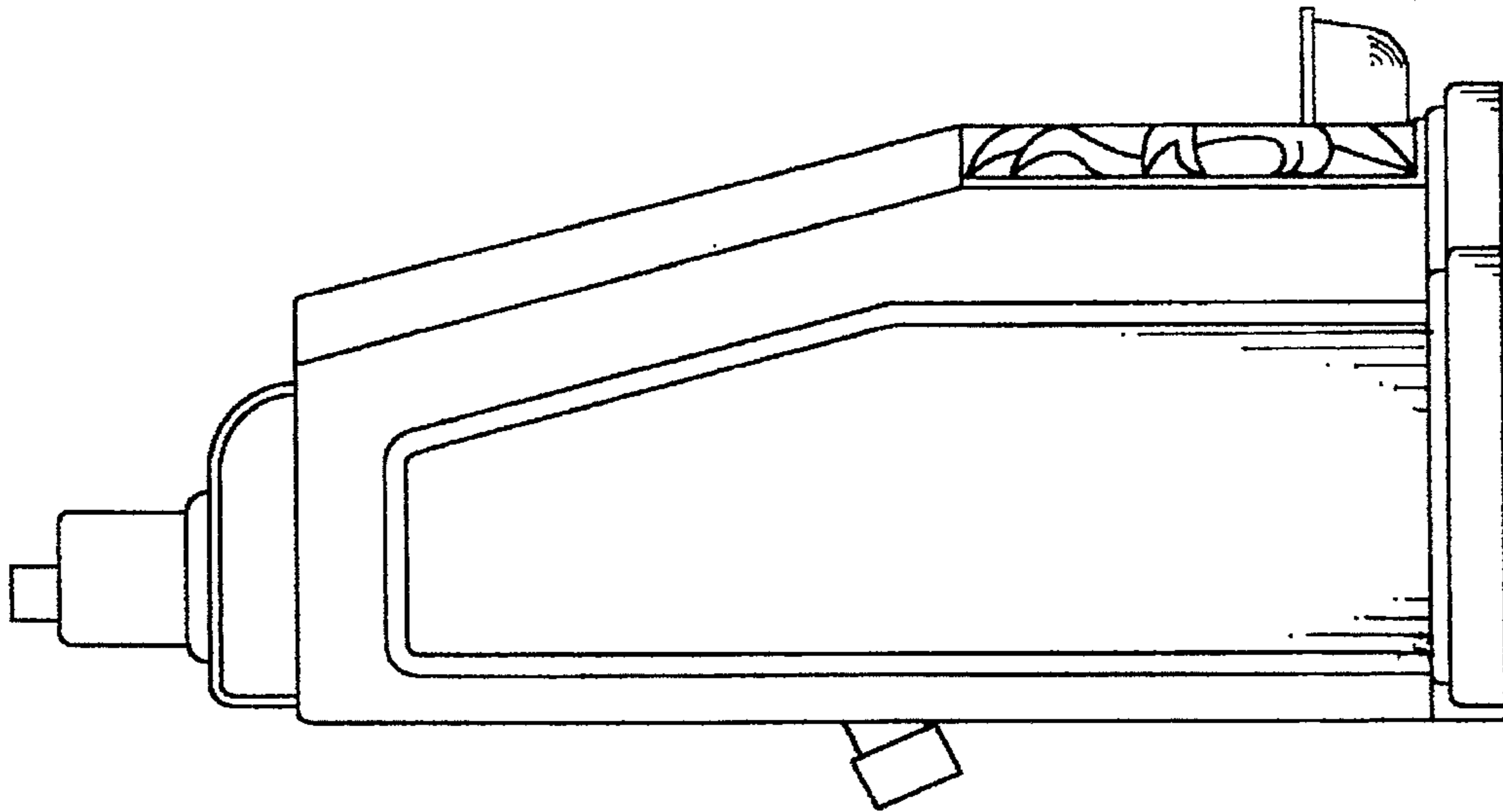


FIG. 5

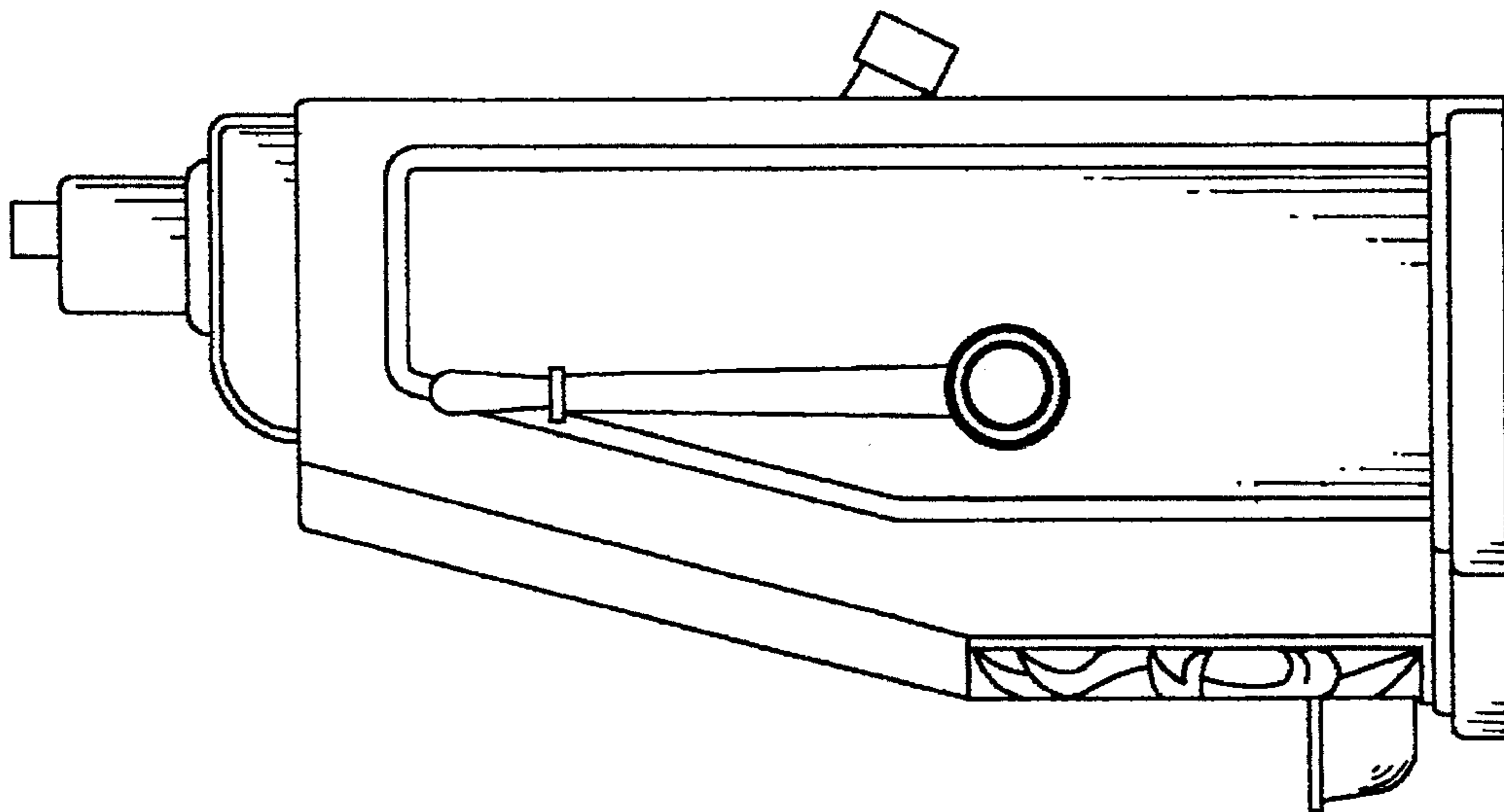


FIG. 4

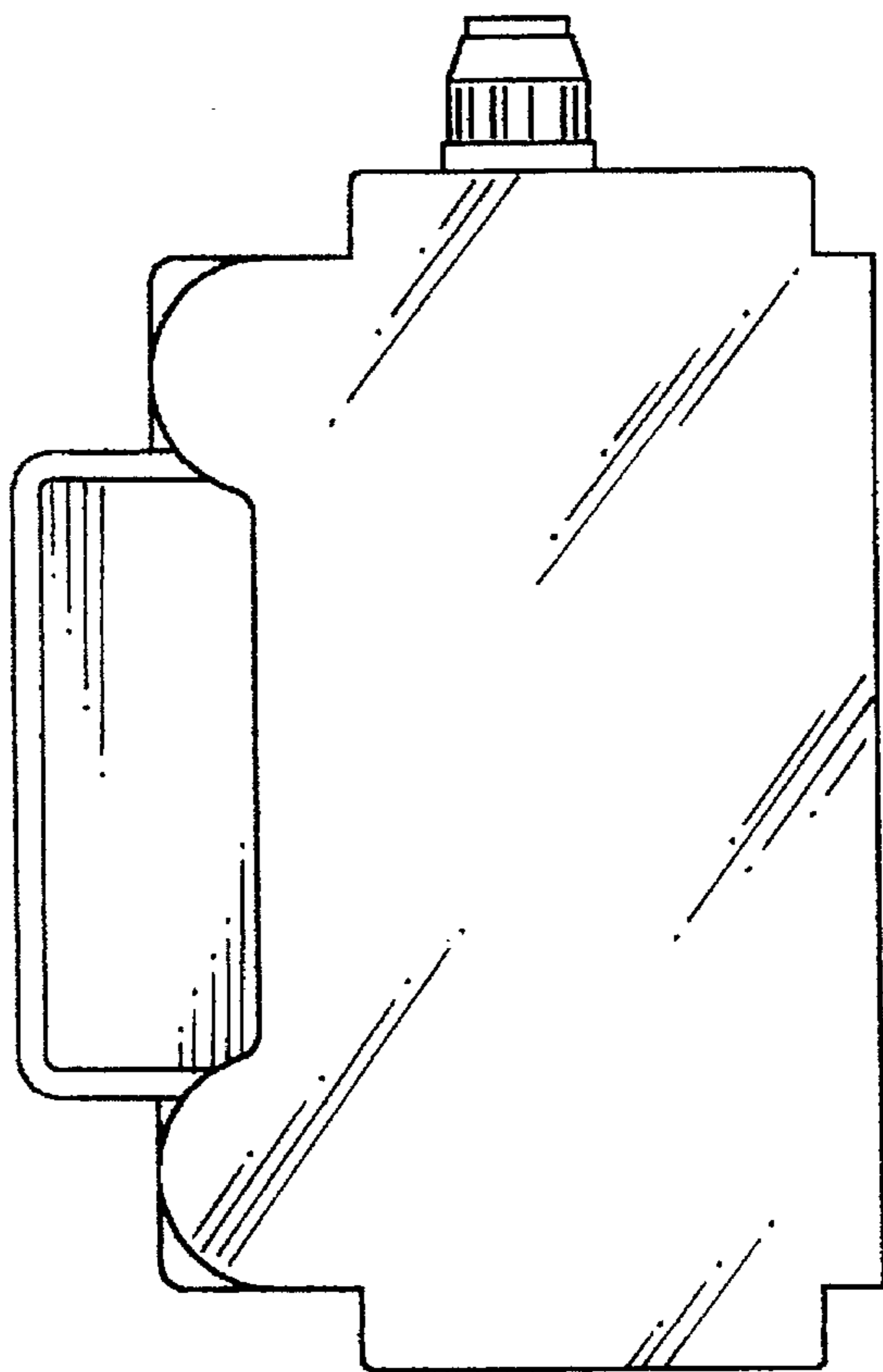


FIG. 7

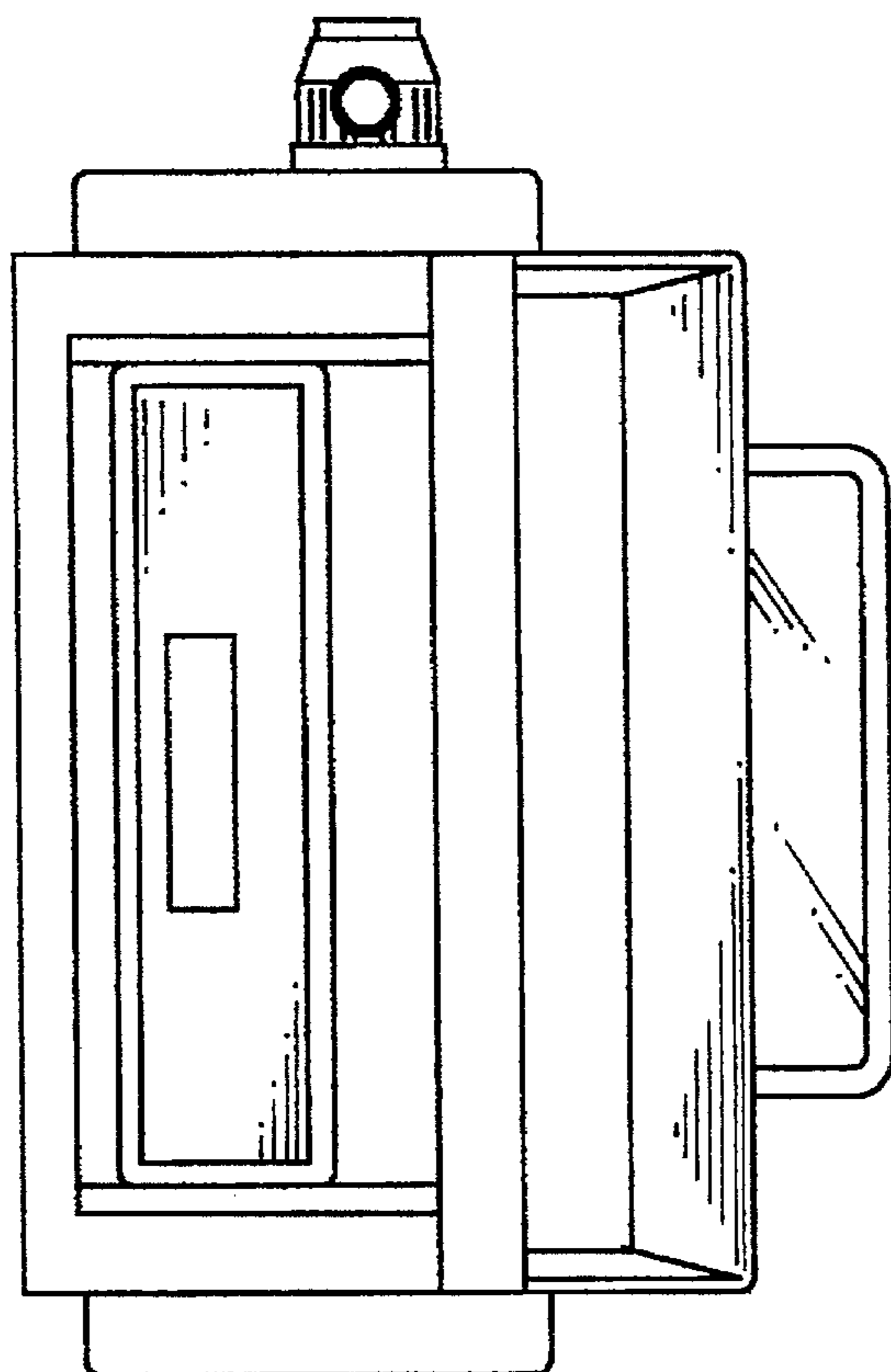


FIG. 6