



US00D380676S

United States Patent [19]
Holland

[11] **Patent Number: Des. 380,676**

[45] **Date of Patent: **Jul. 8, 1997**

[54] **SECURITY HOUSING FOR CONTAINERS**

4,544,077 10/1985 Rucker 215/12.1 X
5,099,999 3/1992 Balien 206/536

[76] Inventor: **Douglas Holland**, 6551 Petit Ave., Van Nuys, Calif. 91406

Primary Examiner—James Gandy
Assistant Examiner—Cathron B. Matta
Attorney, Agent, or Firm—Harold H. Dutton, Jr.; W. Charles L. Jamison; Diane F. Liebman

[**] Term: **14 Years**

[21] Appl. No.: **52,069**

[57] **CLAIM**

[22] Filed: **Mar. 22, 1996**

The ornamental design for a security housing for containers, as shown and described.

[51] LOC (6) Cl. **09-07**

[52] U.S. Cl. **D9/434**

[58] Field of Search D9/434, 499; 206/446, 206/807; 215/12.1, 386; 220/737, 740

DESCRIPTION

FIG. 1 is an exploded perspective view of a security housing for containers showing my new design;
FIG. 2 is a front view thereof; the rear view being a mirror image thereof;
FIG. 3 is a side view thereof, the opposite side being a mirror image thereof;
FIG. 4 is a top view thereof; and,
FIG. 5 is a bottom view thereof.

[56] **References Cited**

U.S. PATENT DOCUMENTS

311,871	2/1885	Clark	220/8
3,667,702	6/1972	Kelley	215/12.1 X
4,022,343	5/1977	Richardson	220/737 X
4,109,692	8/1978	Brown	215/12.1 X
4,261,461	4/1981	Kizlauskas	220/8 X

1 Claim, 4 Drawing Sheets

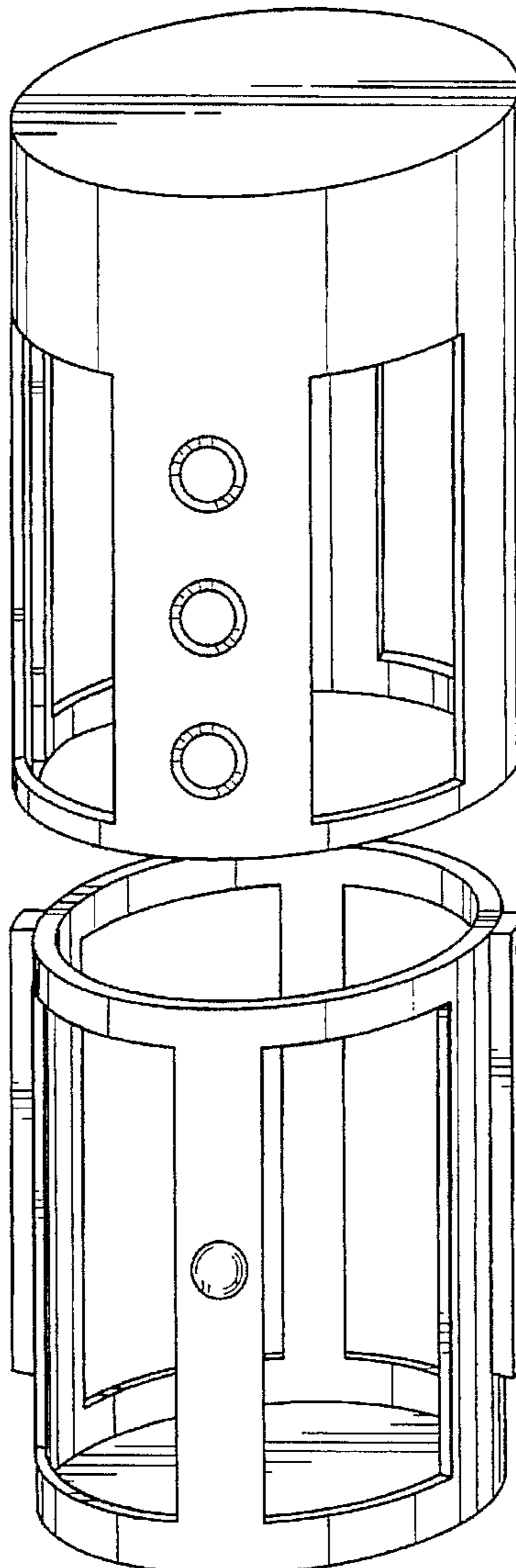
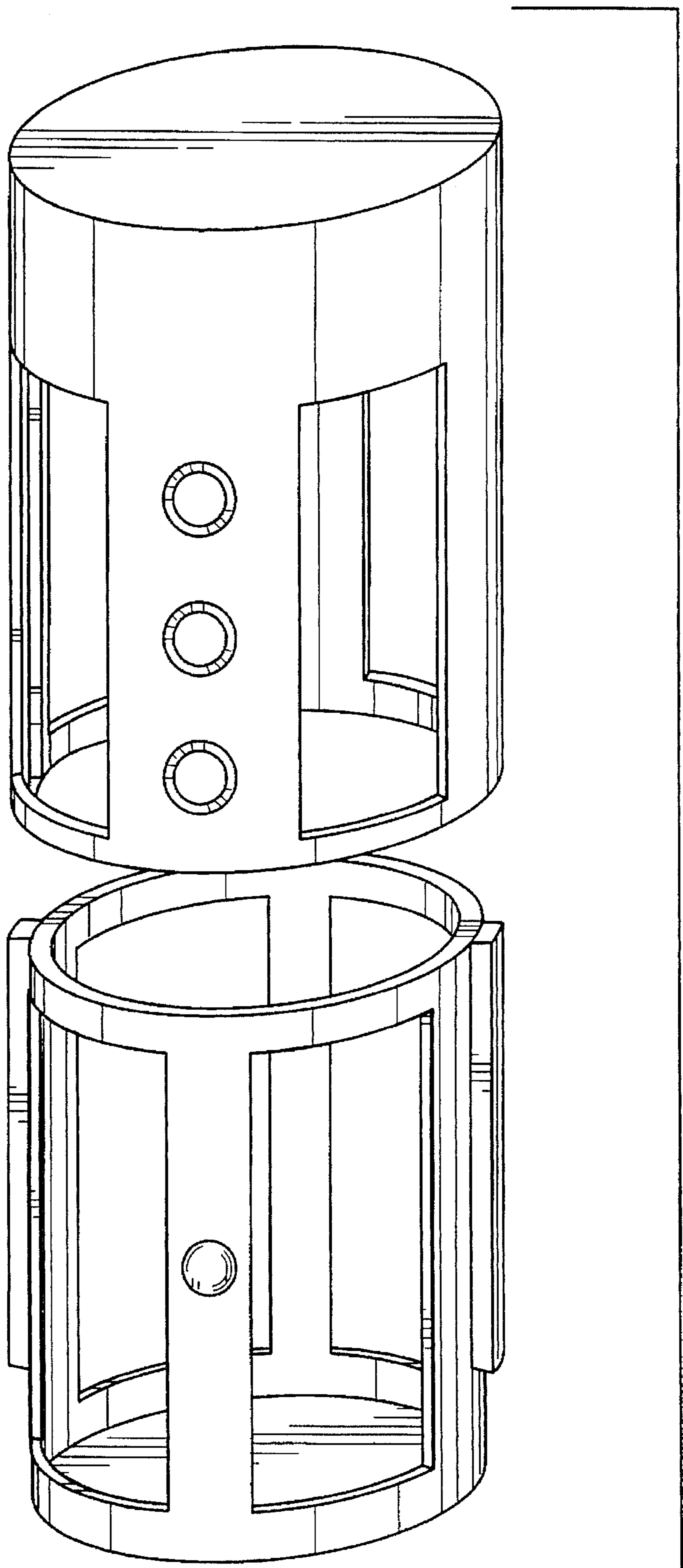


FIG. 1



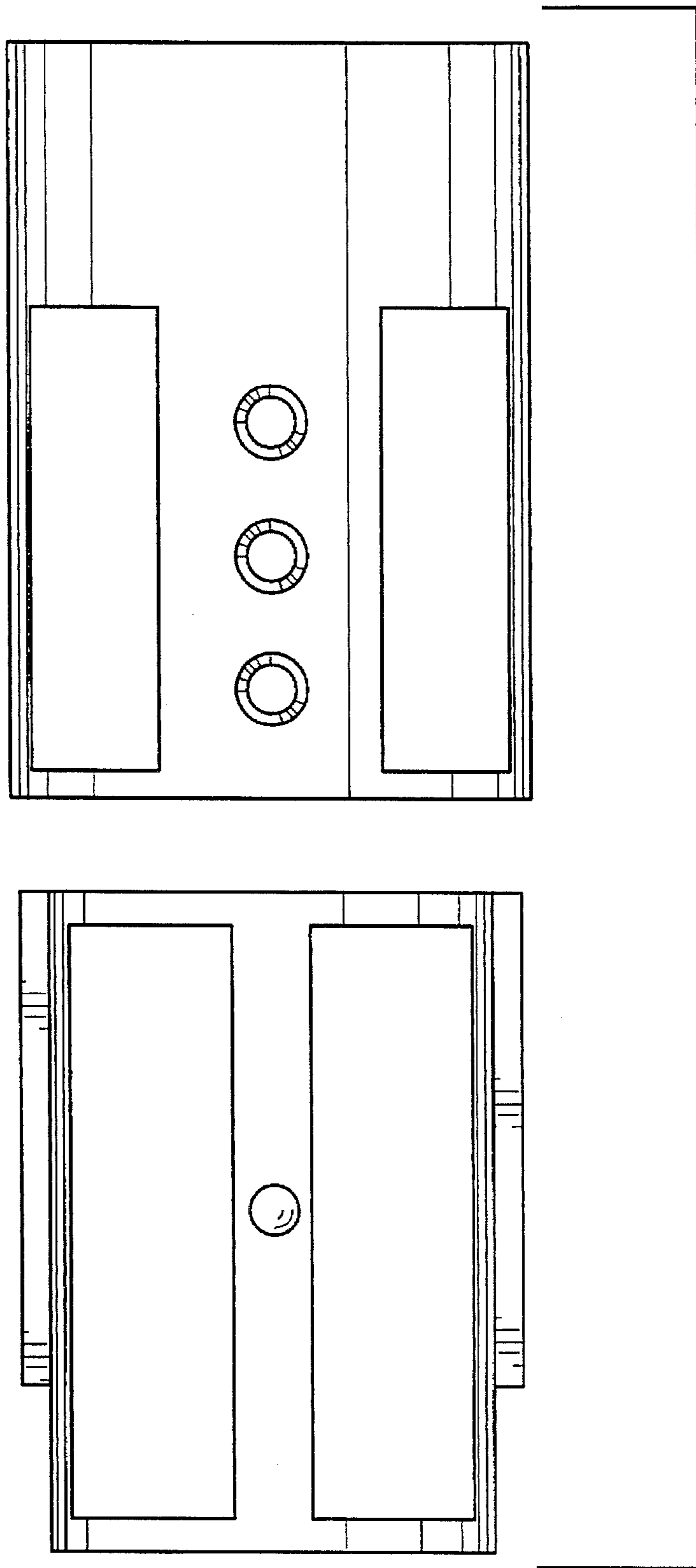


FIG. 2

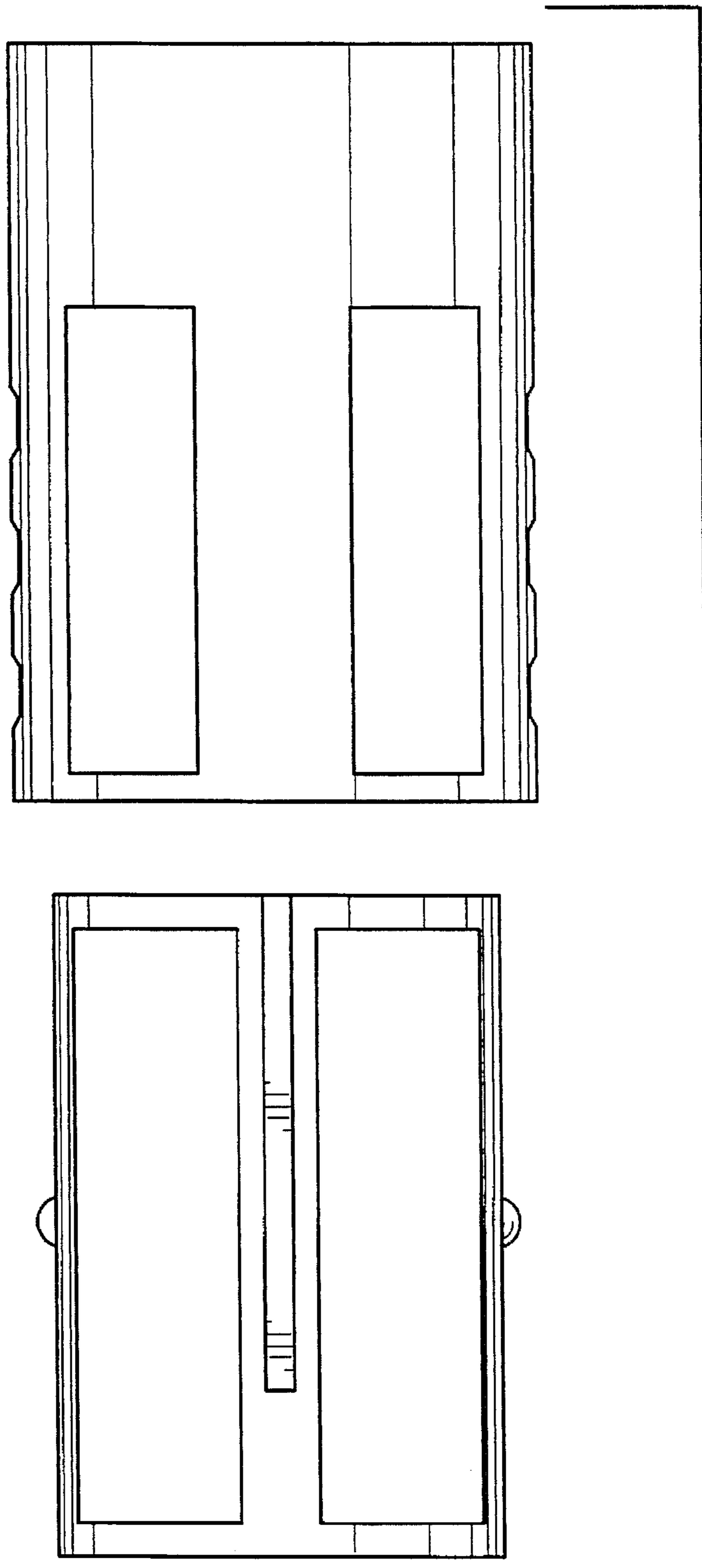


FIG. 3

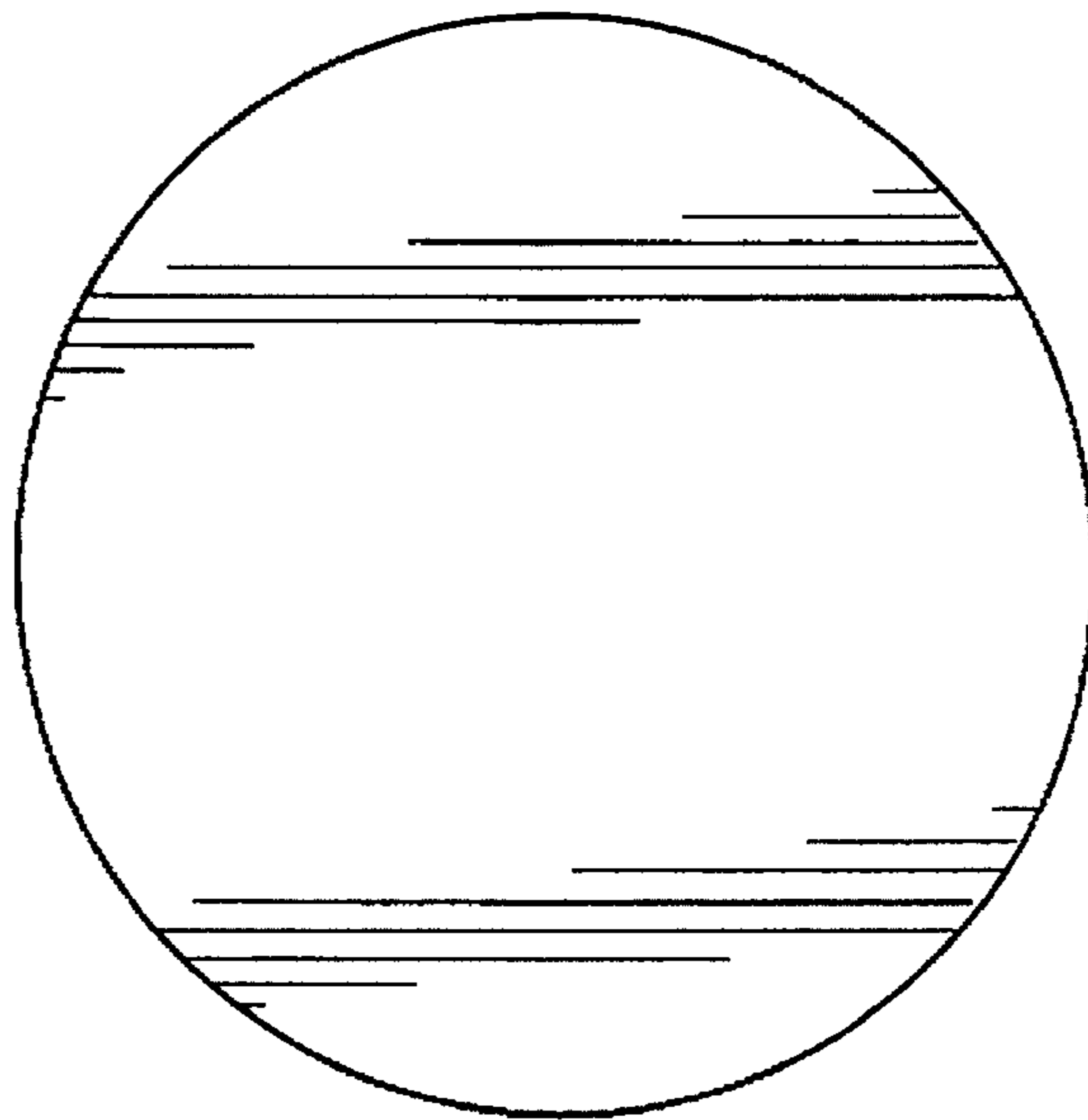


FIG. 4

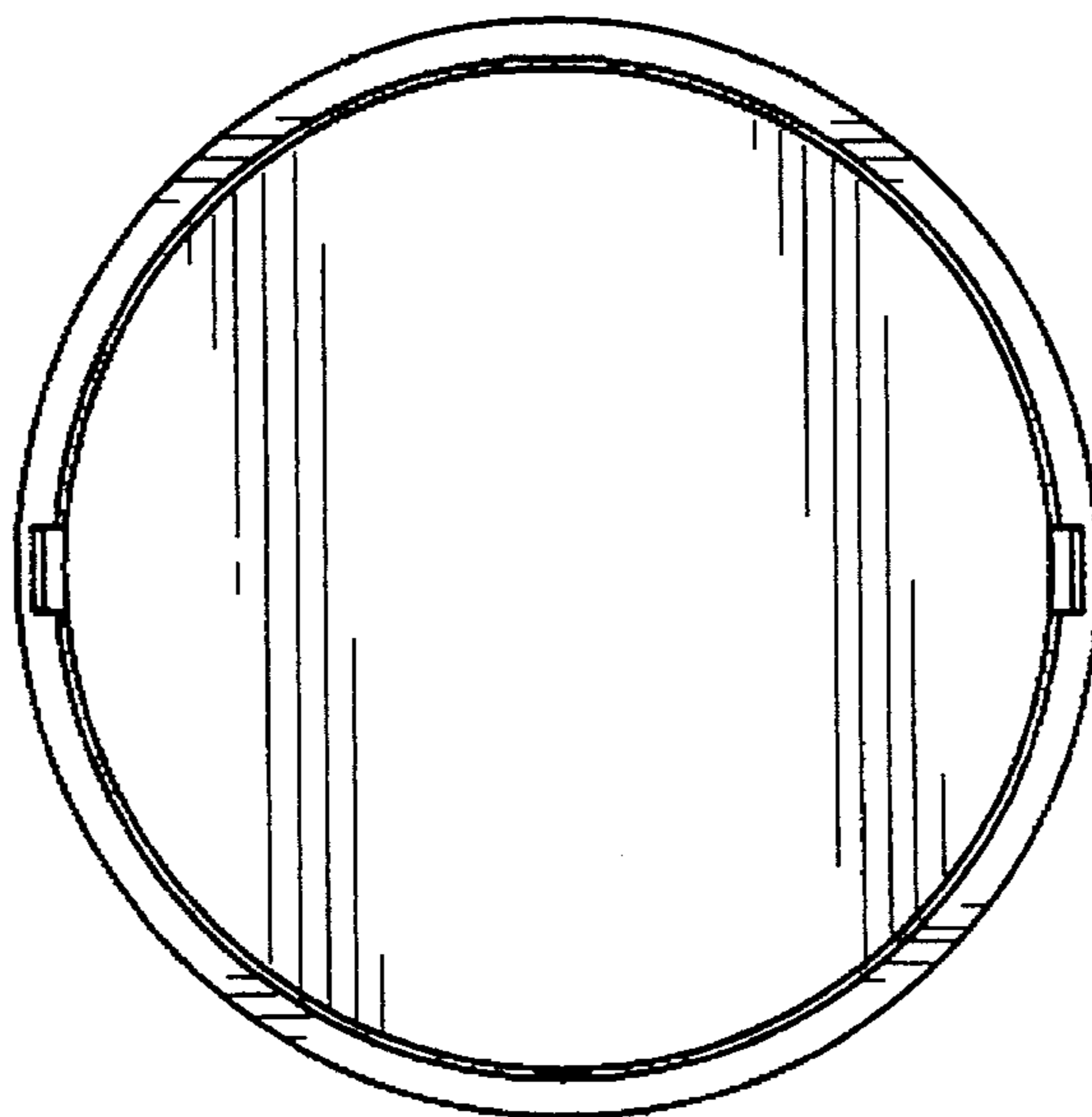


FIG. 5