



US00D380668S

# United States Patent [19]

Nakamura

[11] Patent Number: Des. 380,668

[45] Date of Patent: \*\*Jul. 8, 1997

[54] SCREW COVER

[75] Inventor: Toshinobu Nakamura, Tokyo, Japan

[73] Assignee: Shinagawa Shoko Co., Ltd., Tokyo, Japan

[\*\*] Term: 14 Years

[21] Appl. No.: 46,175

[22] Filed: Nov. 8, 1995

[51] LOC (6) Cl. .... 08-08

[52] U.S. Cl. .... D8/387; D8/382; D11/226

[58] Field of Search ..... D8/382, 300, 387; D11/222, 223, 224, 225, 226, 227; 24/113 R, 114.12, 662, 689, 90.1, 92; 411/462

[56] **References Cited**

**U.S. PATENT DOCUMENTS**

D. 176,154	11/1955	Petitclair	.....	D11/226
D. 284,164	6/1986	Tseng	.....	D8/382
D. 284,266	6/1986	Resan	.....	D8/382
D. 285,169	8/1986	Resan	.....	D8/382
D. 288,185	2/1987	Derosa	.....	D11/226
682,782	9/1901	Beckwith	.....	D11/226 X
2,128,533	8/1938	Howald	.....	D11/227 X
2,552,917	5/1951	Becker	.....	D11/227 X

Primary Examiner—Paula A. Mortimer  
Attorney, Agent, or Firm—Banner & Witcoff, Ltd.

[57] **CLAIM**

The ornamental design for screw cover, as shown and described.

**DESCRIPTION**

FIG. 1 is a front perspective view of a screw cover showing my new design in an open position;  
 FIG. 2 is a front perspective view of a screw cover in a closed position;  
 FIG. 3 is a front elevational view of a screw cover in an open position;  
 FIG. 4 is a rear elevational view thereof;  
 FIG. 5 is a top plan view thereof;  
 FIG. 6 is a bottom plan view thereof;  
 FIG. 7 is a right side elevational view thereof;  
 FIG. 8 is a left side elevational view thereof;  
 FIG. 9 is a sectional view thereof taken along line A—A of FIG. 5;  
 FIG. 10 is a sectional view taken along line C—C of FIG. 11;  
 FIG. 11 is a front elevational view in a closed position;  
 FIG. 12 is a rear elevational view in a closed position;  
 FIG. 13 is a top plan view thereof;  
 FIG. 14 is a bottom plan view thereof;  
 FIG. 15 is a left side elevational view thereof;  
 FIG. 16 is a right side elevational view thereof; and,  
 FIG. 17 is a sectional view taken along line B—B of FIG. 13.

The broken line showing of the screw and board in FIG. 10 is for illustrative purposes only and forms no part of the claimed design.

1 Claim, 5 Drawing Sheets

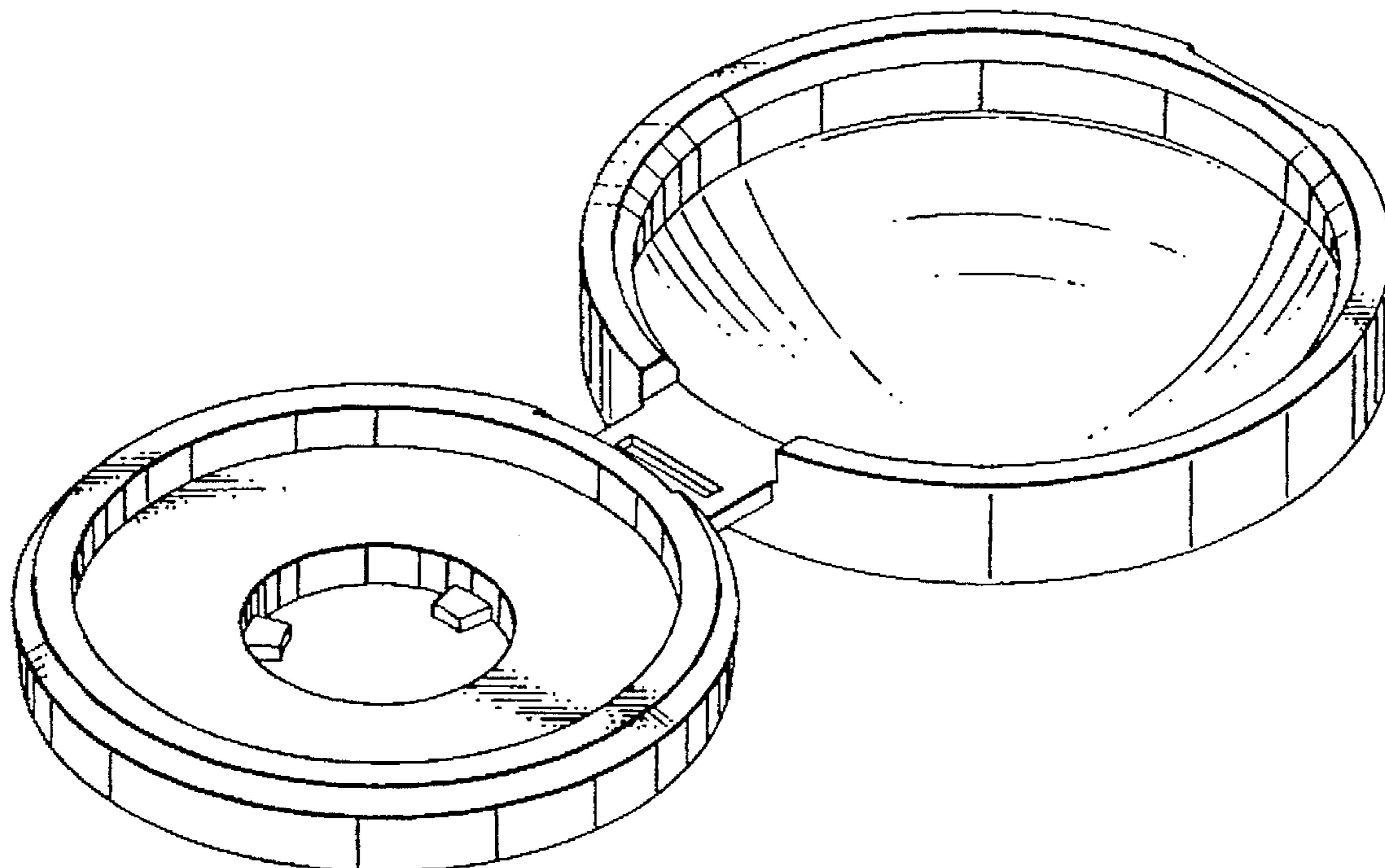


FIG. 1

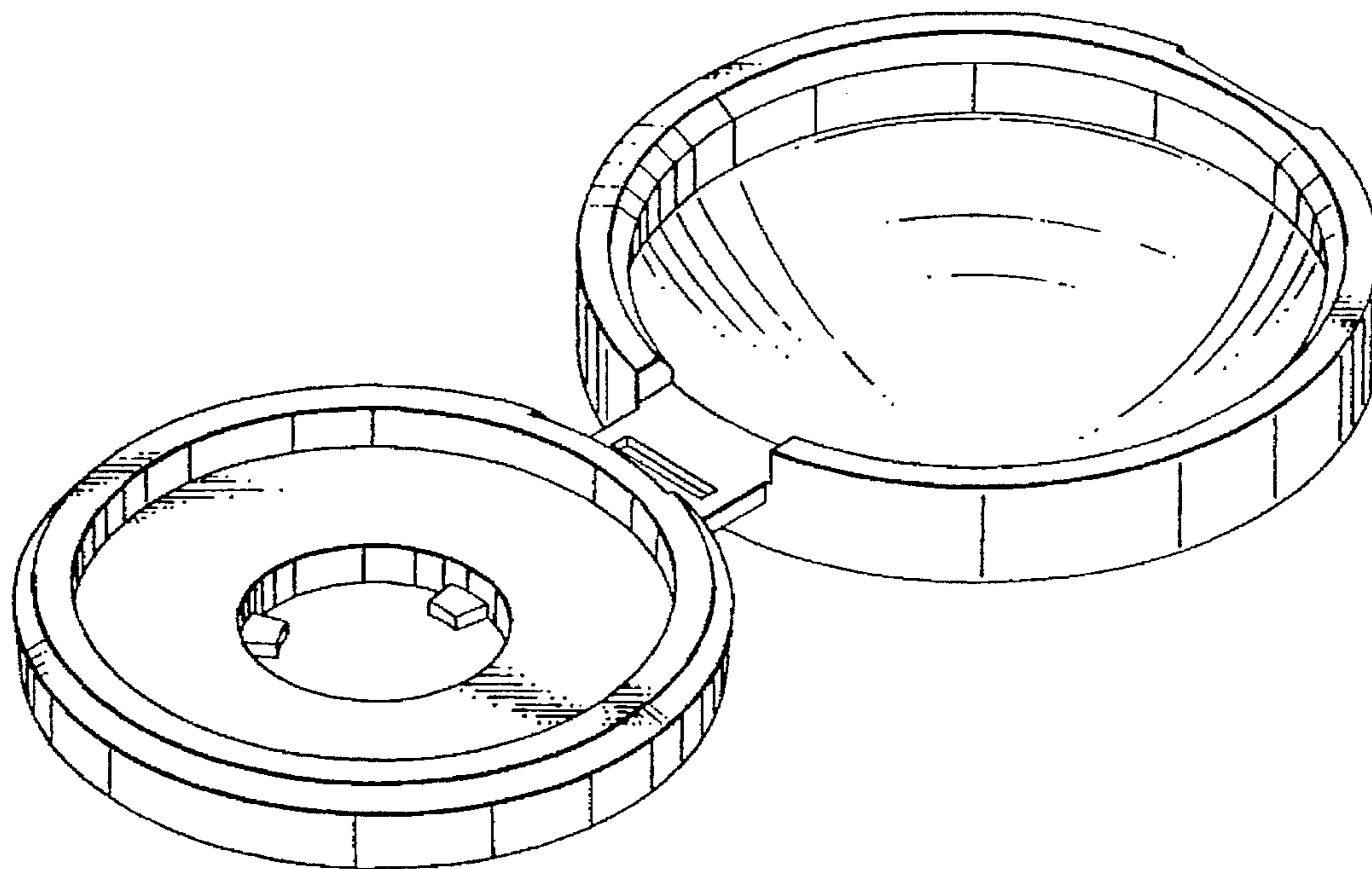


FIG. 2

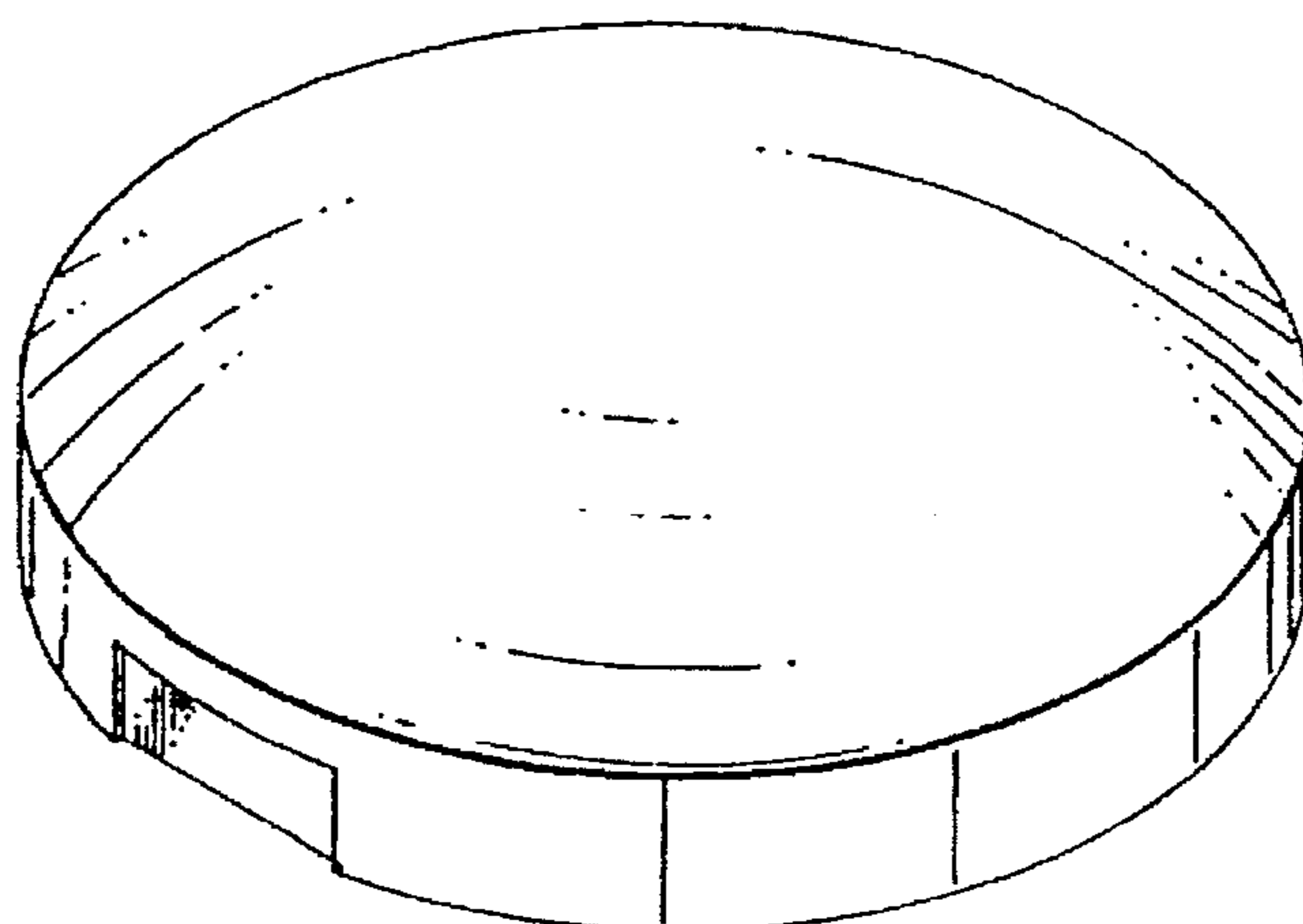


FIG. 3

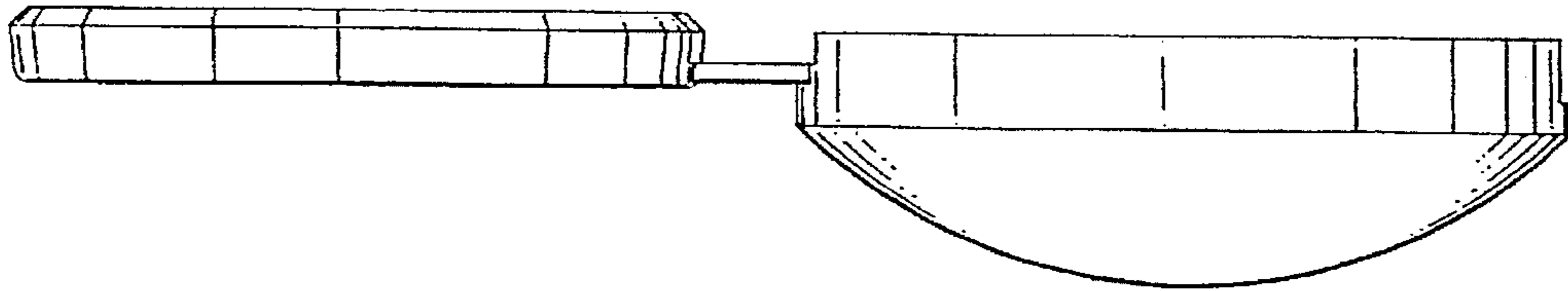


FIG. 4

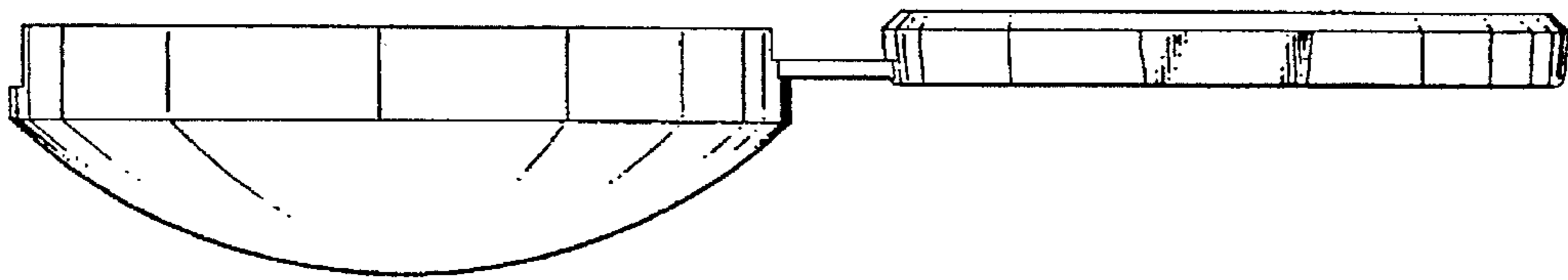


FIG. 5

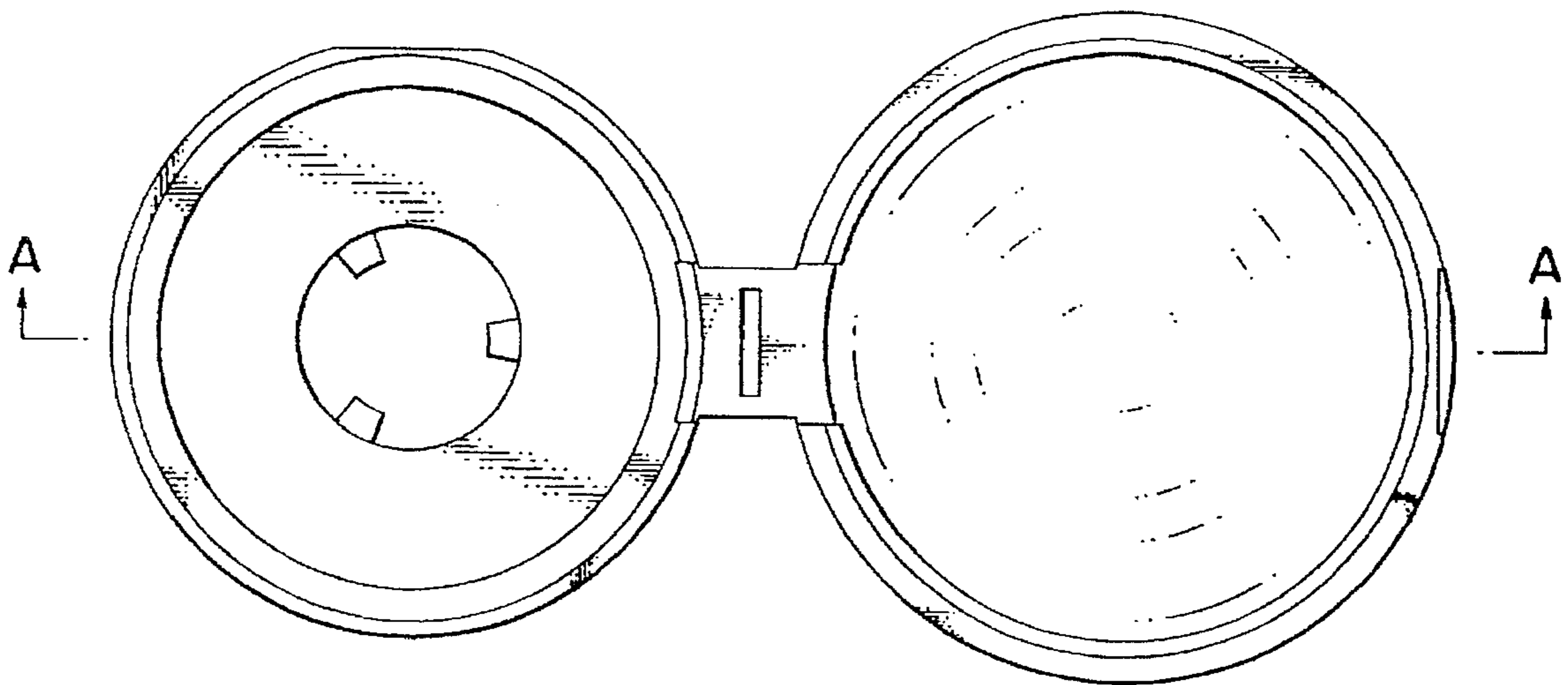


FIG. 6

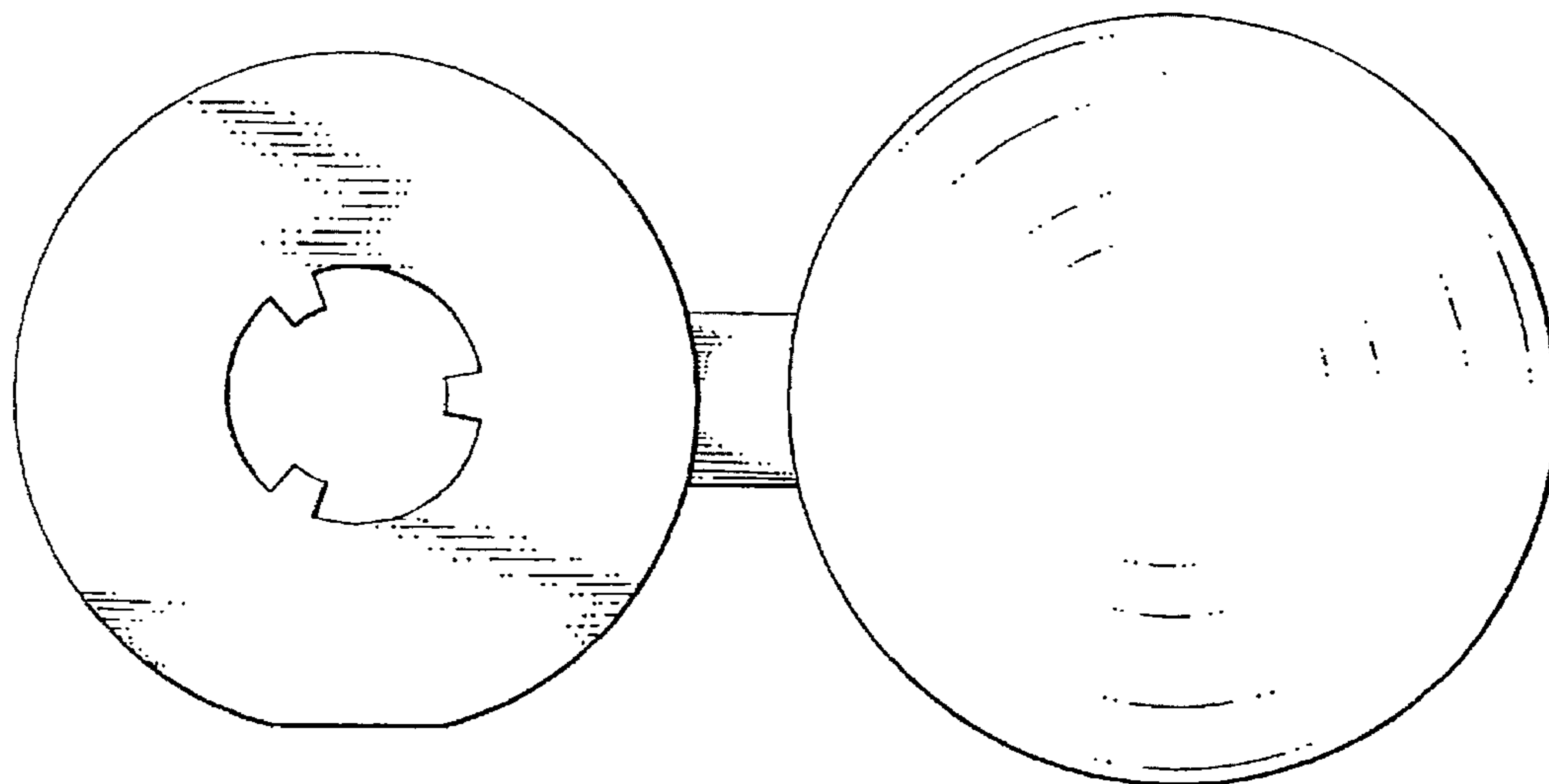


FIG. 7

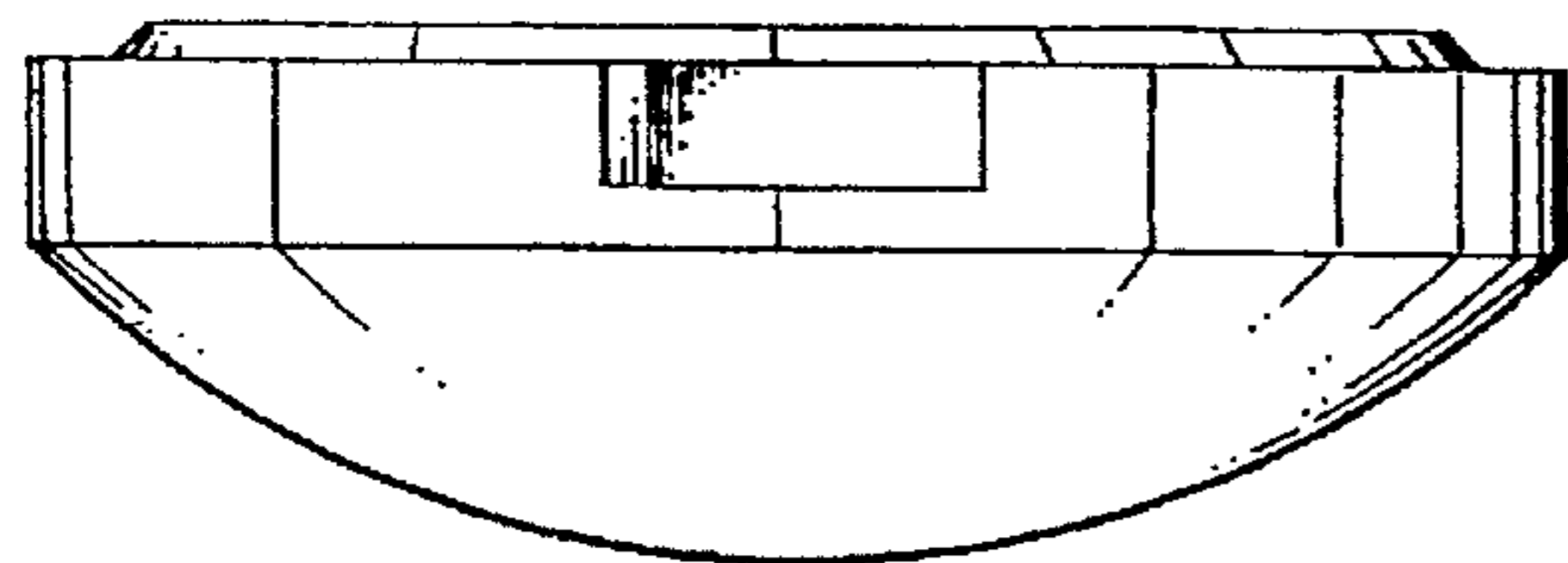


FIG. 8

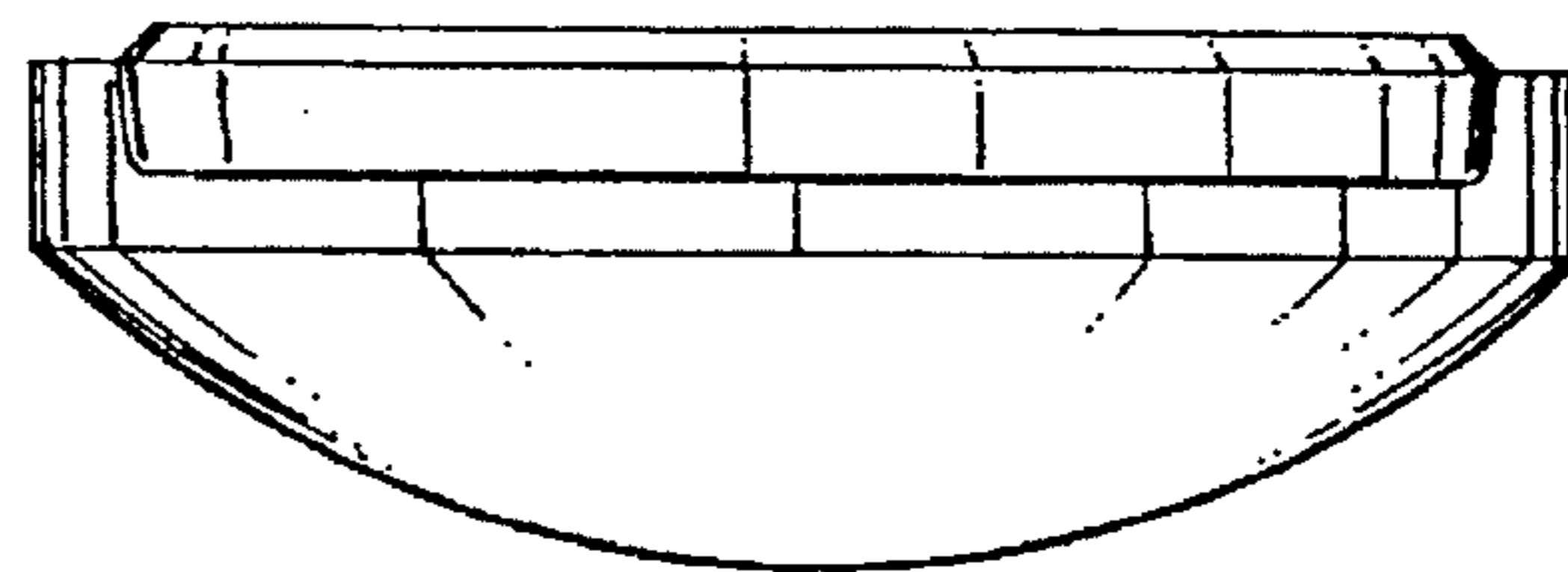
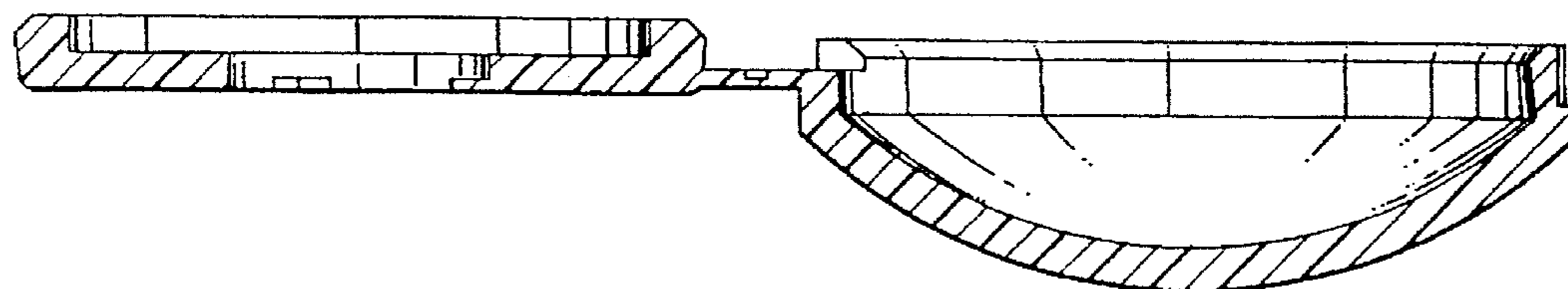
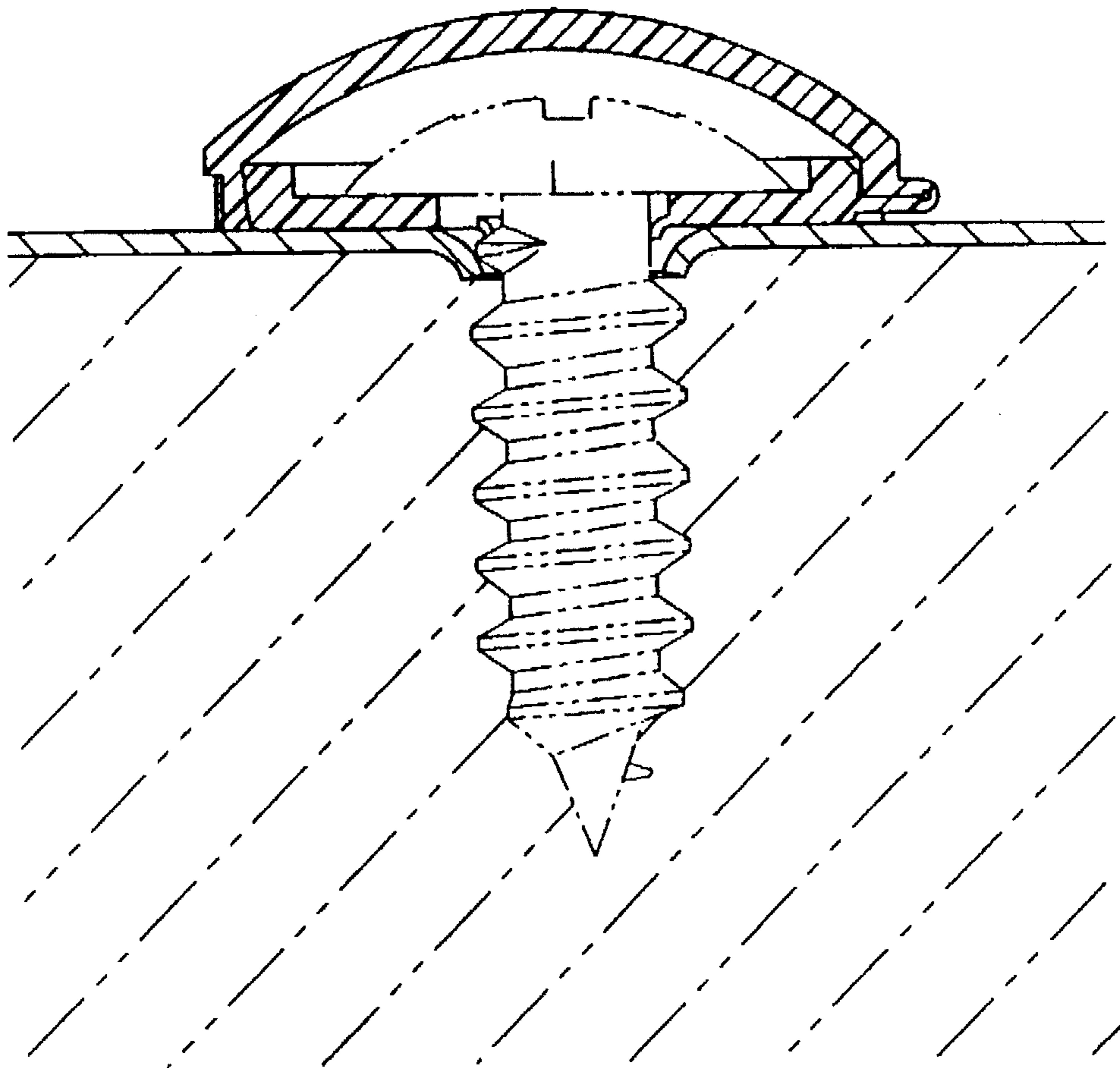


FIG. 9



# FIG. 10



# FIG. 11

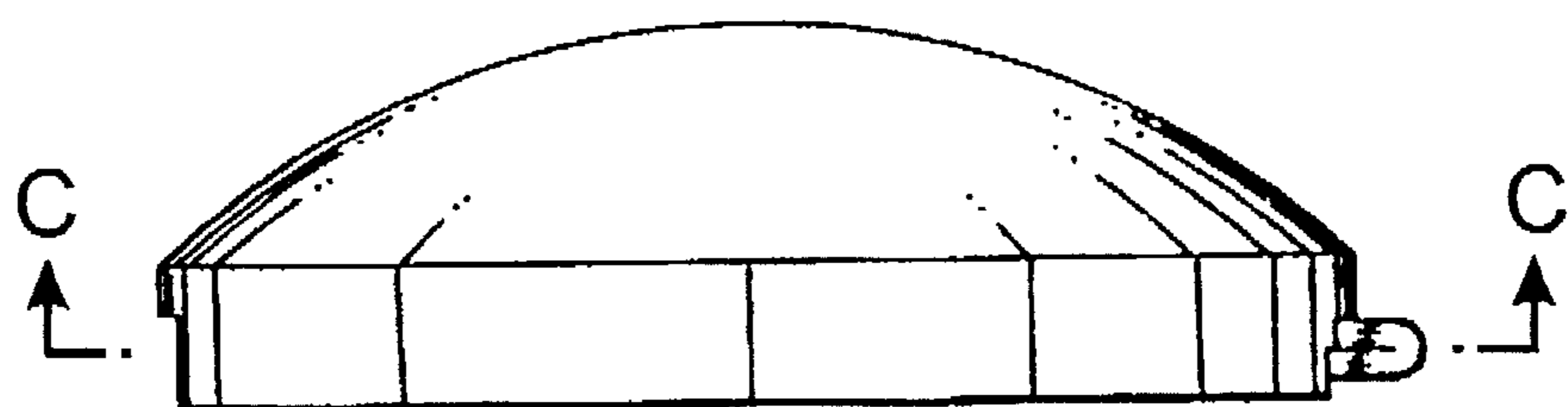


FIG. 12

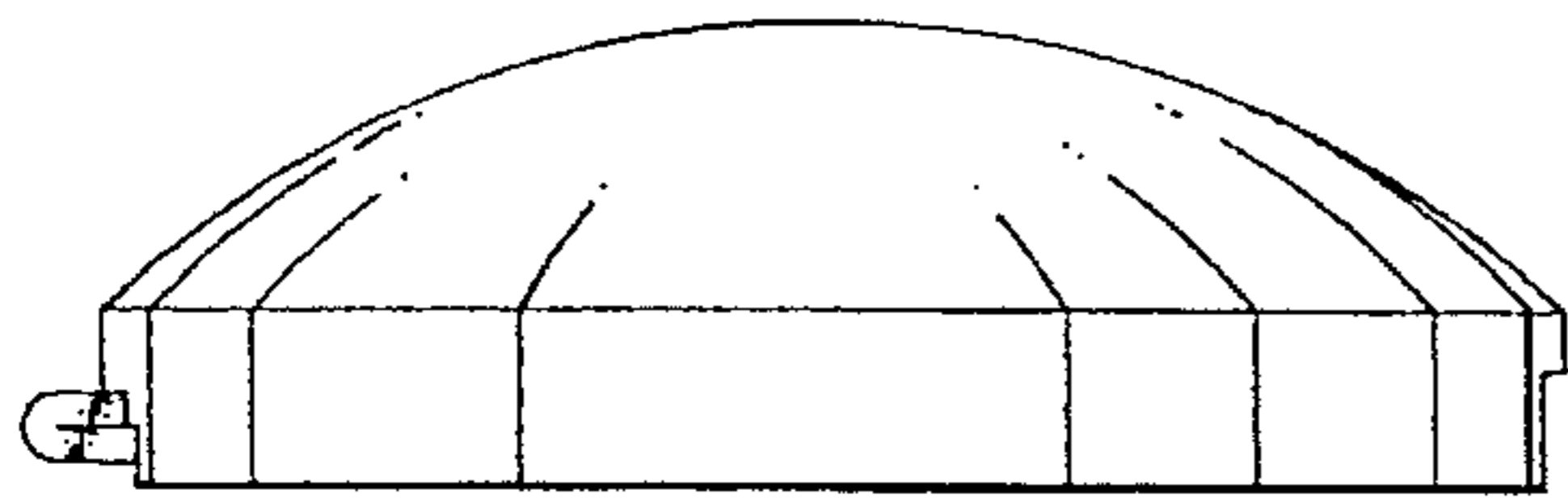


FIG. 13

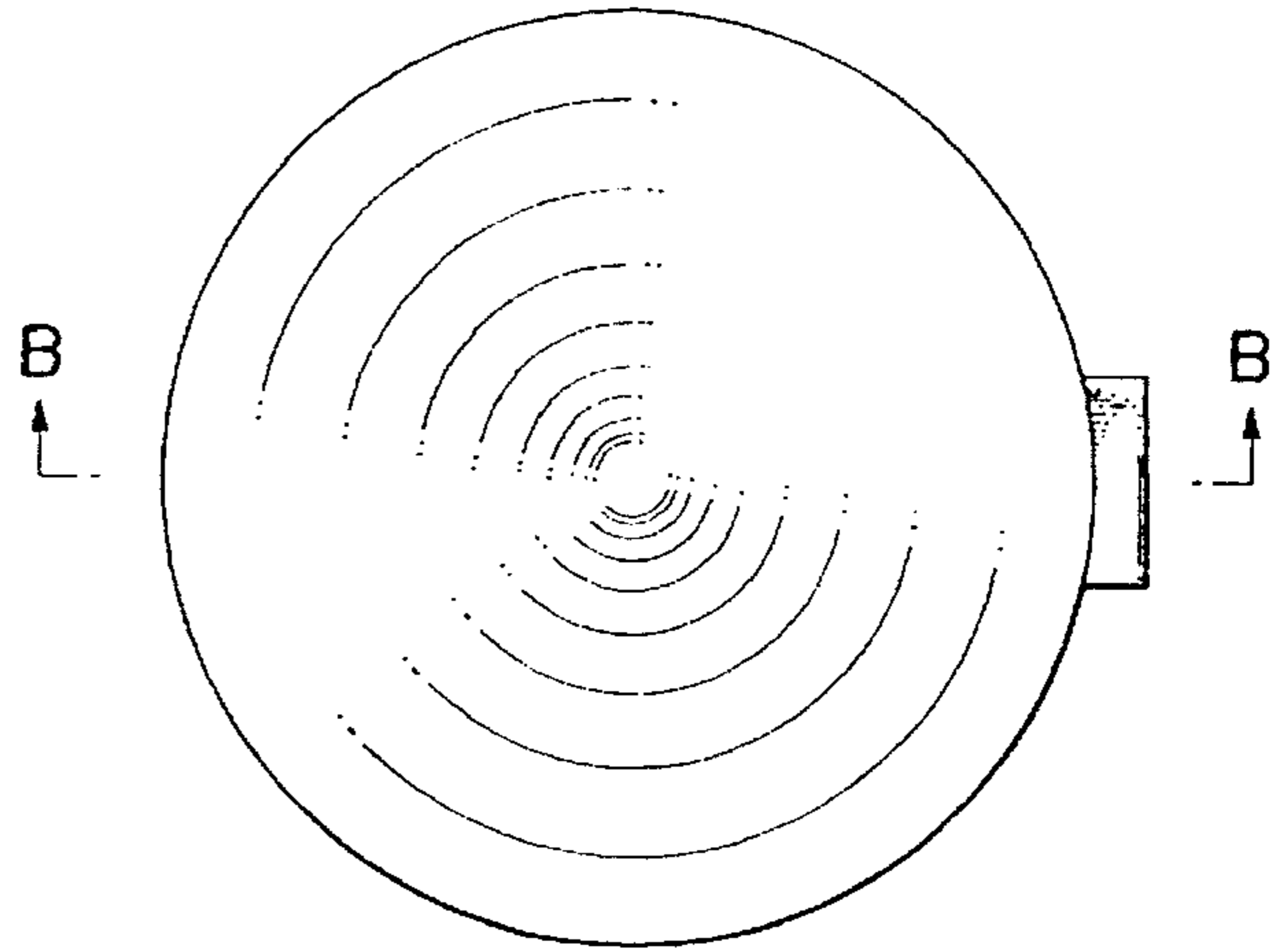


FIG. 14

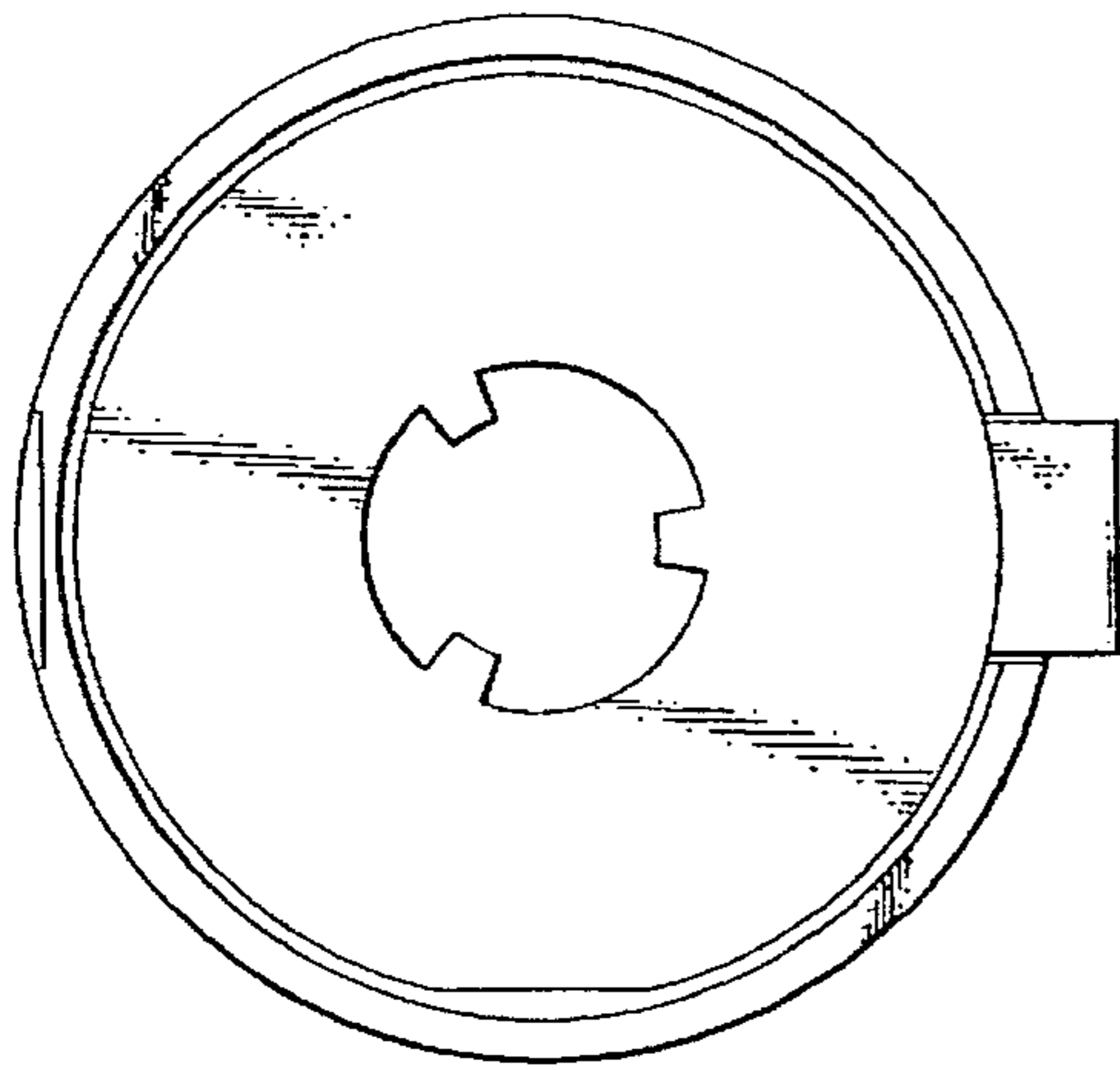


FIG. 15

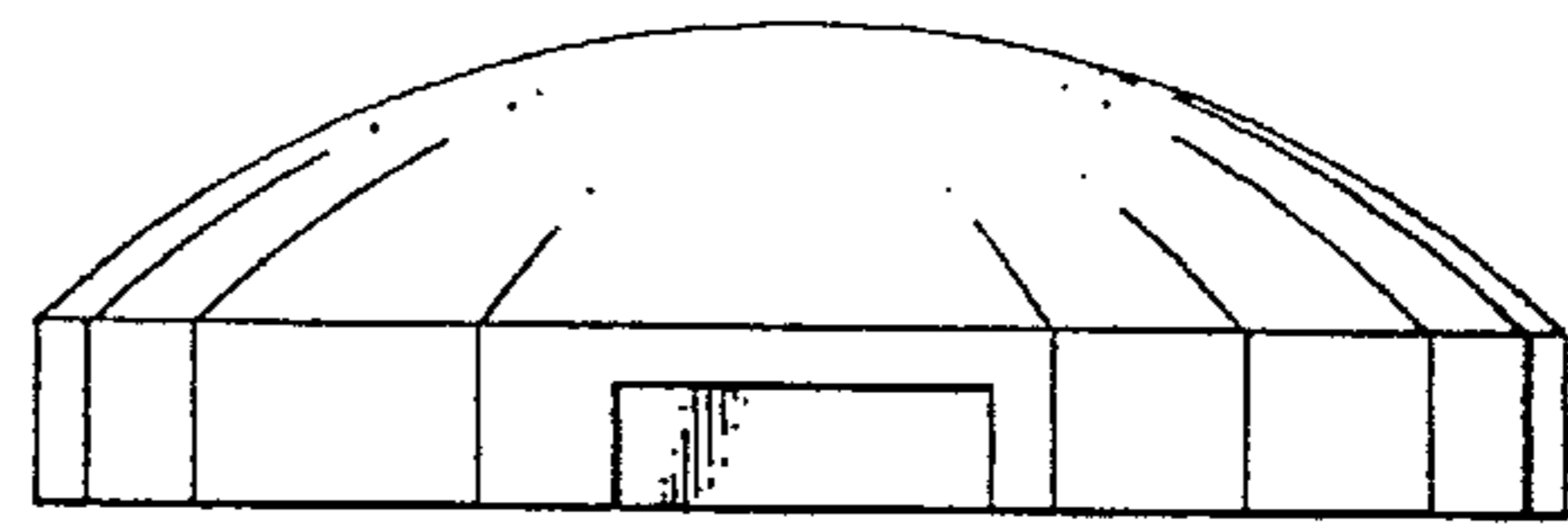


FIG. 16

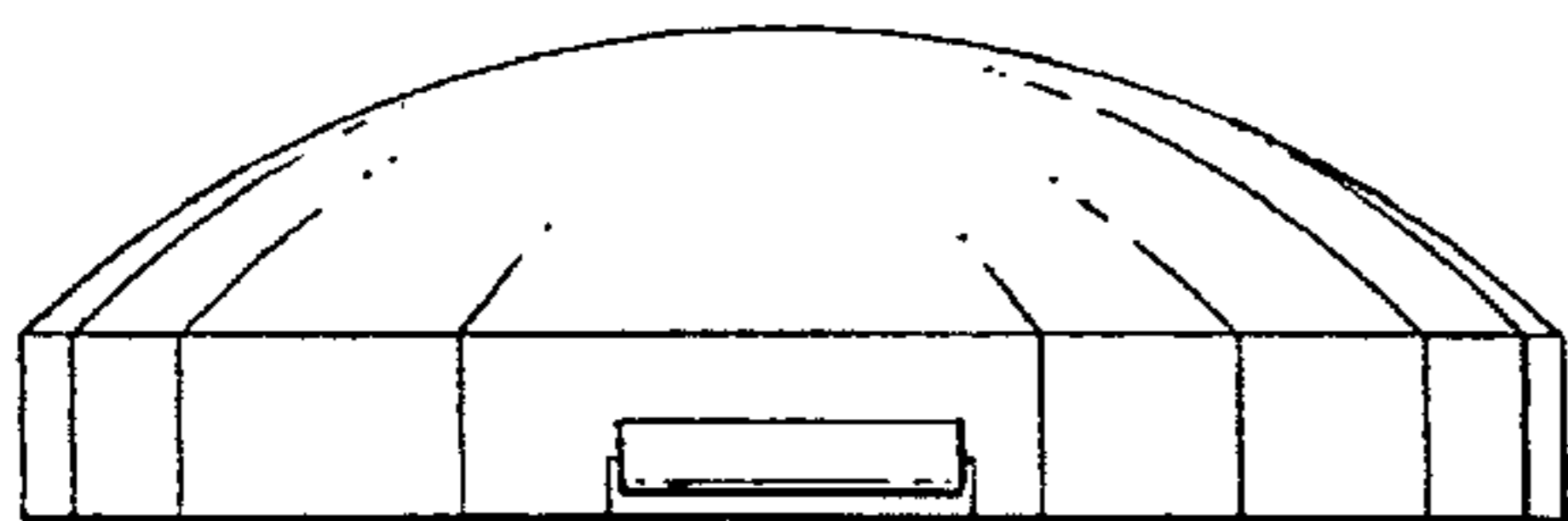


FIG. 17

