

US00D380667S

United States Patent [19]
Kanamori et al.

[11] **Patent Number: Des. 380,667**
[45] **Date of Patent: **Jul. 8, 1997**

[54] **CLIP FOR ATTACHING A MATERIAL TO A PANEL**

5,011,356 4/1991 Fernandez 24/297 X
5,301,396 4/1994 Benoit 24/297 X
5,509,182 4/1996 Nakanishi 24/297

[75] Inventors: **Yoshihiko Kanamori**, Toyota; **Hideya Miura**, Toyoake, both of Japan

FOREIGN PATENT DOCUMENTS

829303 2/1992 Japan .

[73] Assignee: **Nifco Inc.**, Yokohama, Japan

Primary Examiner—Paula A. Mortimer
Attorney, Agent, or Firm—Kanesaka & Takeuchi

[**] Term: **14 Years**

[57] **CLAIM**

[21] Appl. No.: **43,655**

The ornamental design for a clip for attaching a material to a panel, as shown and described.

[22] Filed: **Sep. 8, 1995**

DESCRIPTION

[51] **LOC (6) Cl.** **08-08**

[52] **U.S. Cl.** **D8/382**

[58] **Field of Search** D8/382, 388, 393,
D8/390, 391; 24/293, 297, 301, 662; 411/500,
501; 248/74.3

FIG. 1 is a front view of a clip for attaching a material to a panel showing our new design, the rear view being identical to the front view;

FIG. 2 is a right side view thereof, the left side view being identical to the view shown;

FIG. 3 is a top plan view thereof;

FIG. 4 is a bottom plan view thereof;

FIG. 5 is a cross sectional view taken along a line 5—5 in FIG. 3; and,

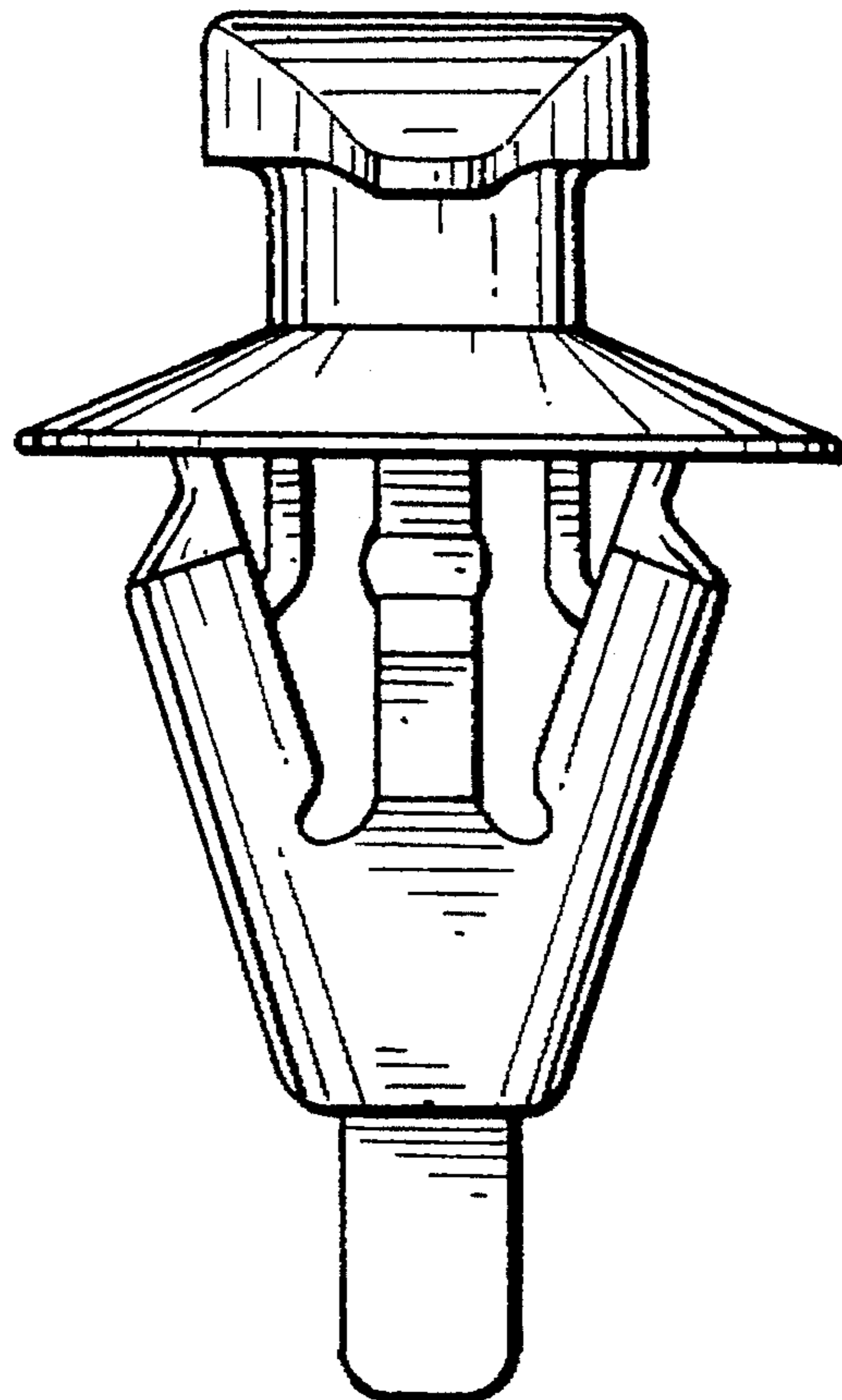
FIG. 6 is a cross sectional view taken along a line 6—6 in FIG. 1.

[56] **References Cited**

U.S. PATENT DOCUMENTS

D. 293,884 1/1988 Hirohata D8/388 X
2,983,008 5/1961 Vonrath 24/297
3,093,874 6/1963 Rapata 24/297 X
3,262,168 7/1966 Overhoff 24/297
3,272,059 9/1966 Lyday et al. 411/510
4,470,178 9/1984 Matsui 24/297 X
4,715,095 12/1987 Takahashi 24/297 X

1 Claim, 2 Drawing Sheets



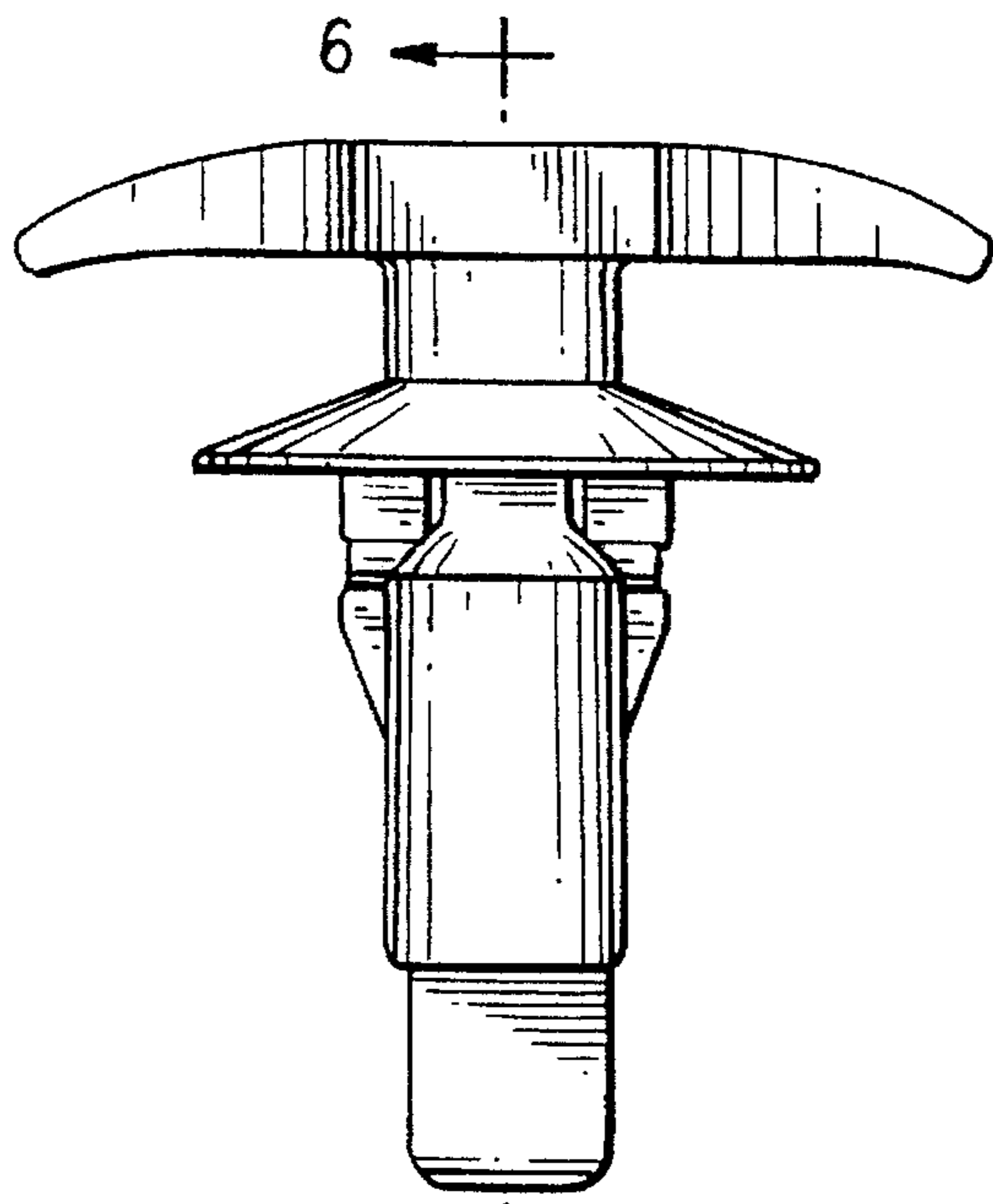


FIG. 1

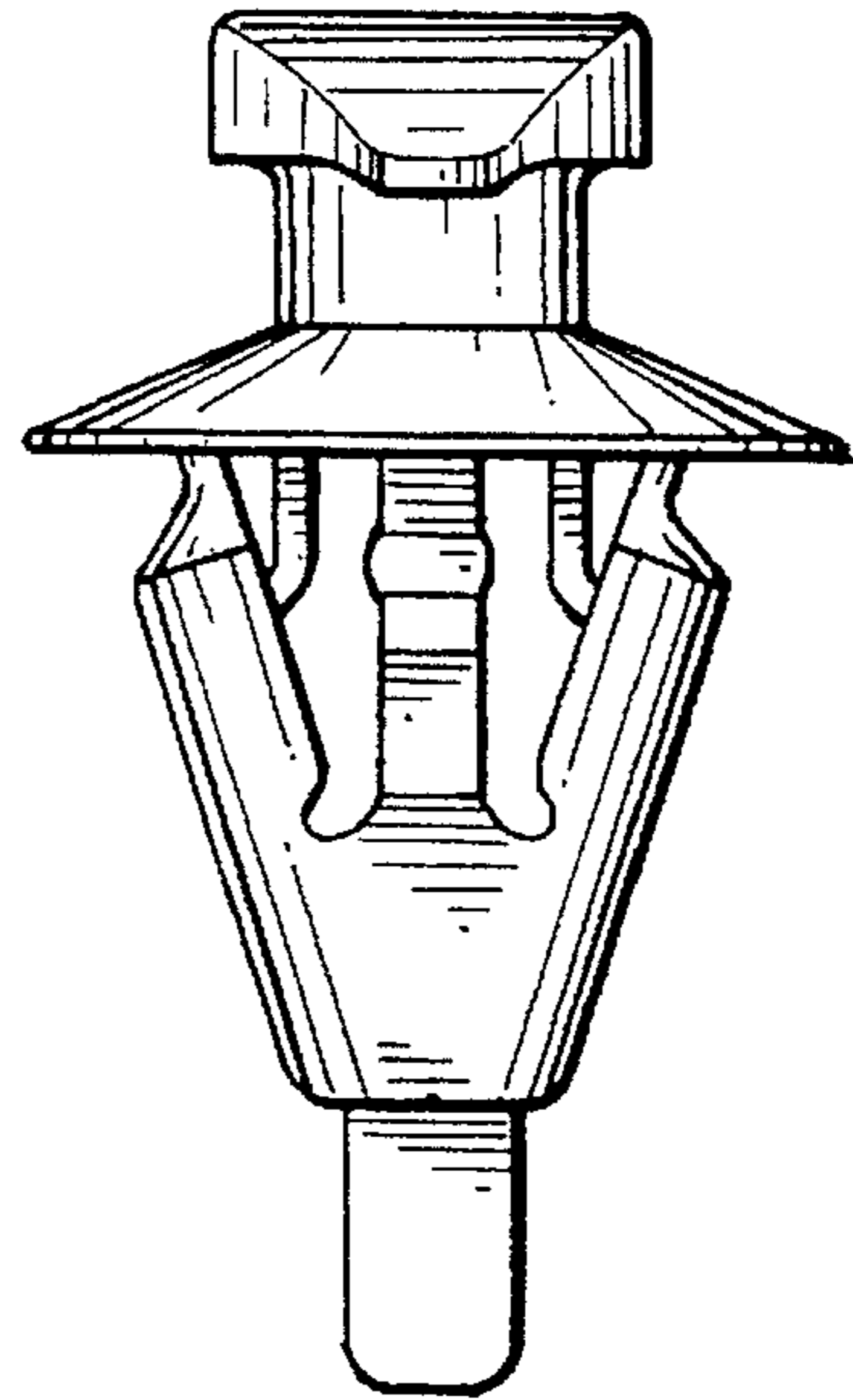


FIG. 2

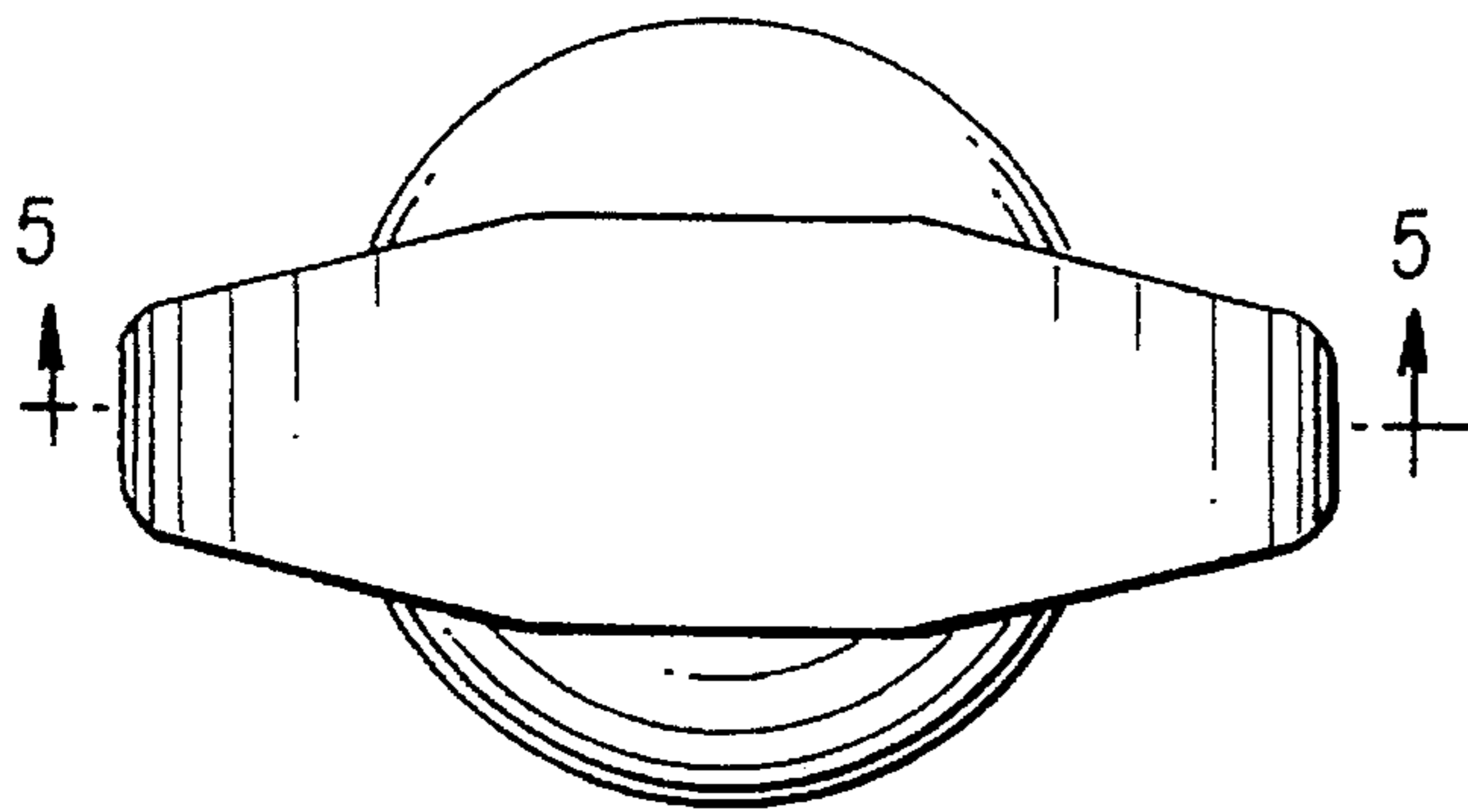


FIG. 3

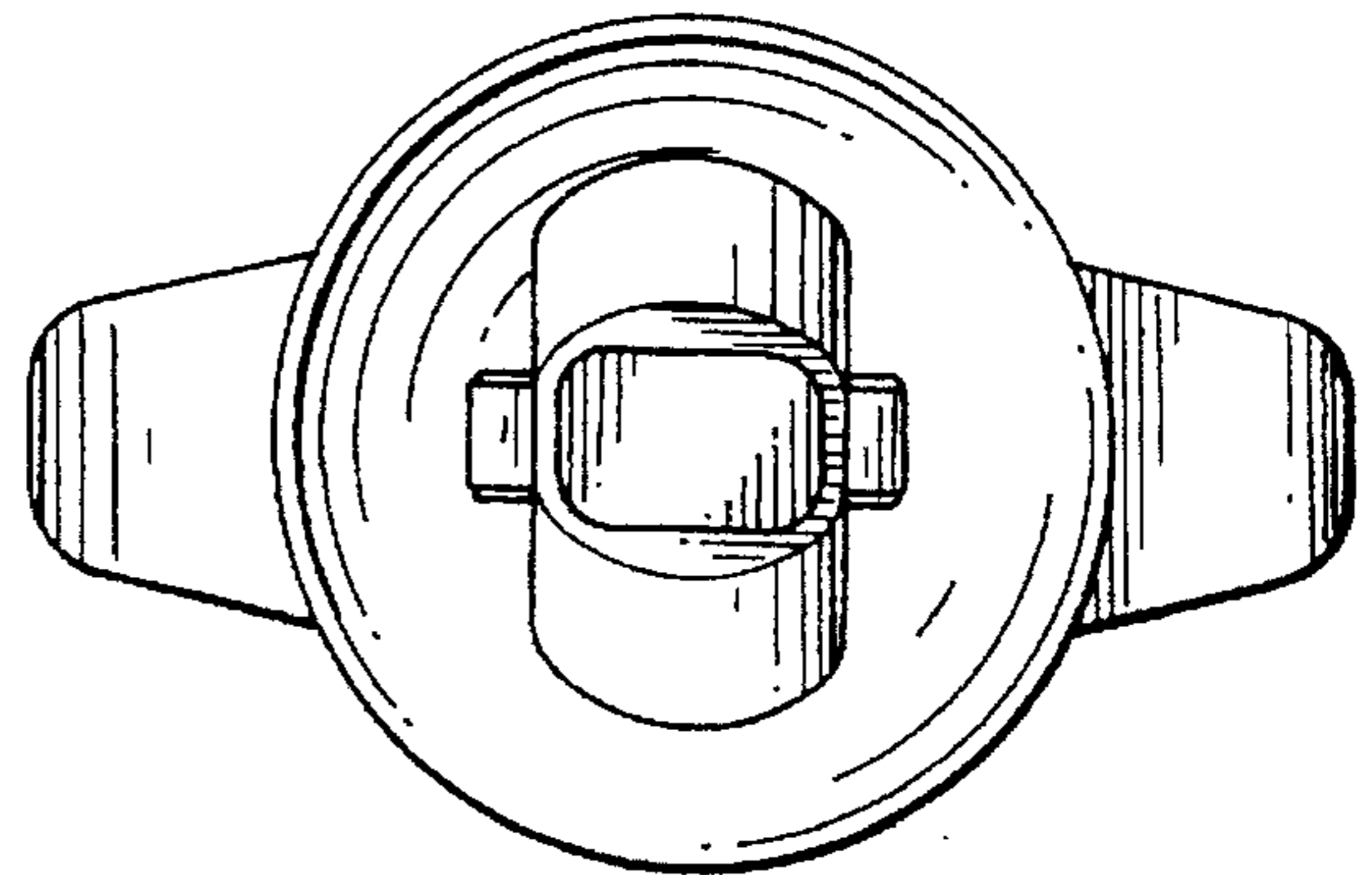


FIG. 4

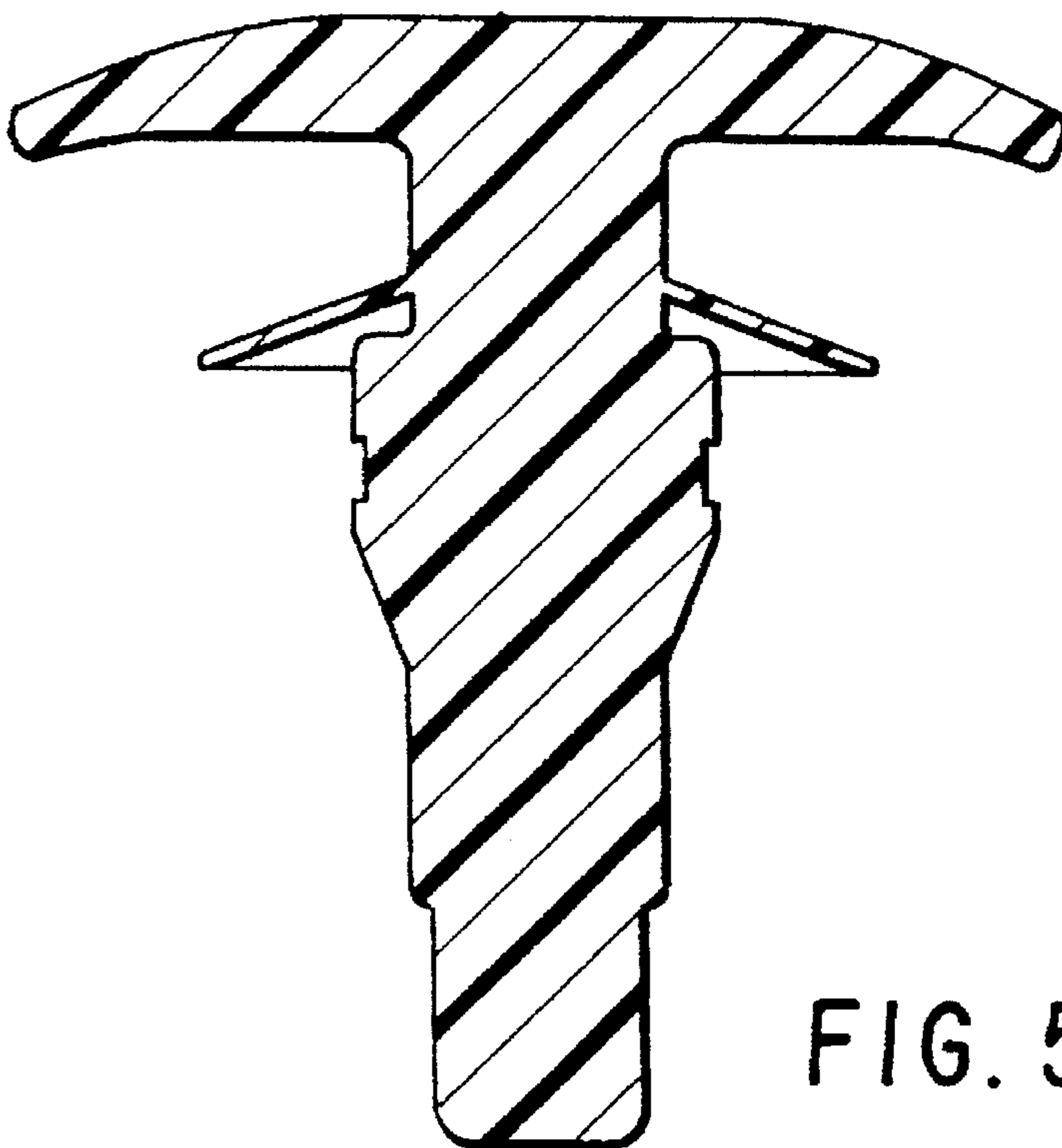


FIG. 5

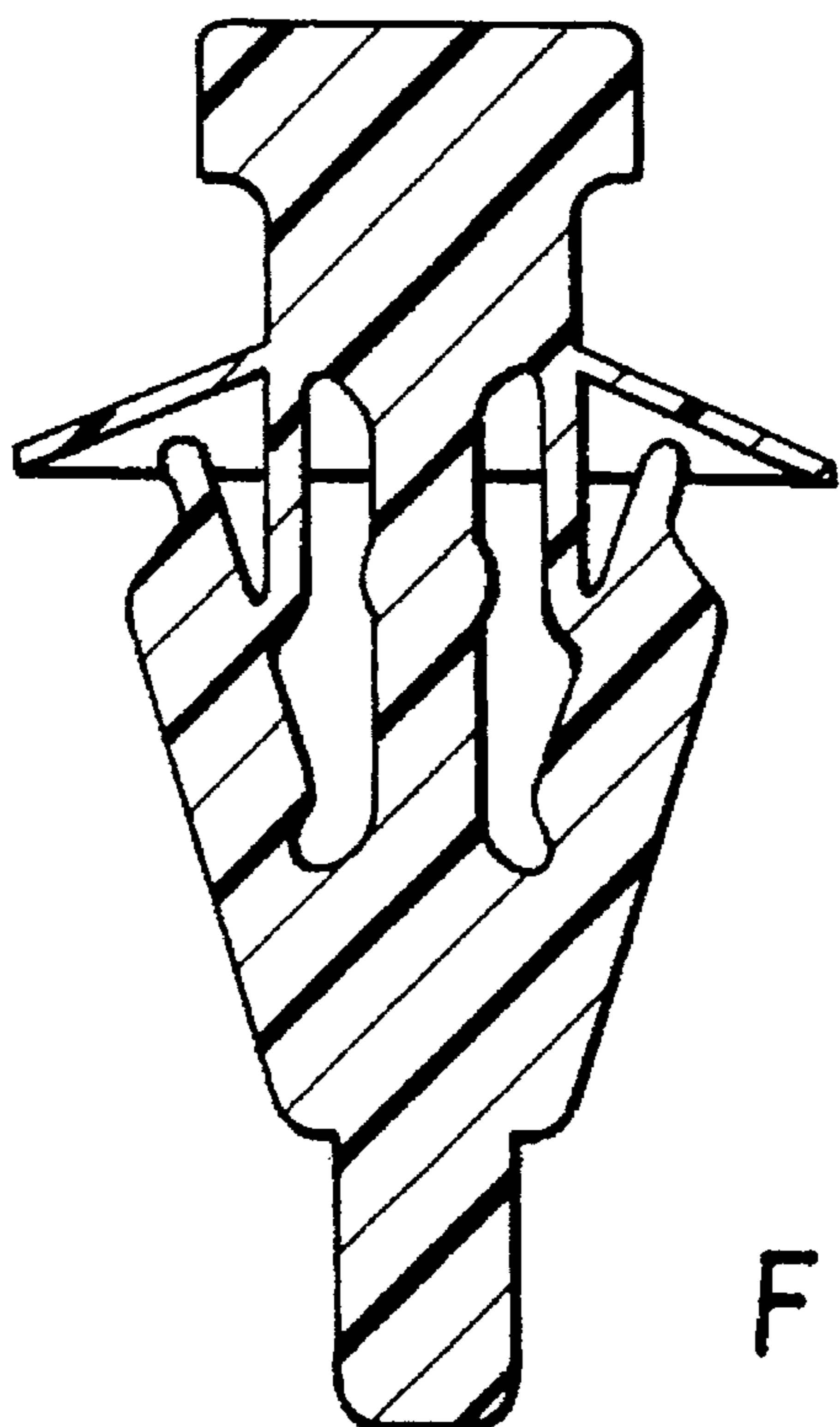


FIG. 6