



US00D380666S

United States Patent [19]
Sheftel

[11] **Patent Number:** **Des. 380,666**
[45] **Date of Patent:** ****Jul. 8, 1997**

[54] **OVERHEAD STORAGE HOOK**

1,737,858 12/1929 Martin 248/300
2,957,672 10/1960 Logan 248/317

[75] **Inventor:** **Steven J. Sheftel**, Marstons Mills,
Mass.

Primary Examiner—Holly Baynham
Attorney, Agent, or Firm—Samuels, Gauthier, Stevens &
Reppert

[73] **Assignee:** **American Manufacturing Company,**
Inc., Allentown, Pa.

[**] **Term:** **14 Years**

[57] **CLAIM**

[21] **Appl. No.:** **52,165**

The ornamental design for an overhead storage hook, as
shown and described.

[22] **Filed:** **Mar. 25, 1996**

DESCRIPTION

[51] **LOC (6) Cl.** **08-05**

[52] **U.S. Cl.** **D8/372**

[58] **Field of Search** D8/367, 372, 370;
D6/317, 411; 211/31, 66, 113; 248/302,
303, 340, 339

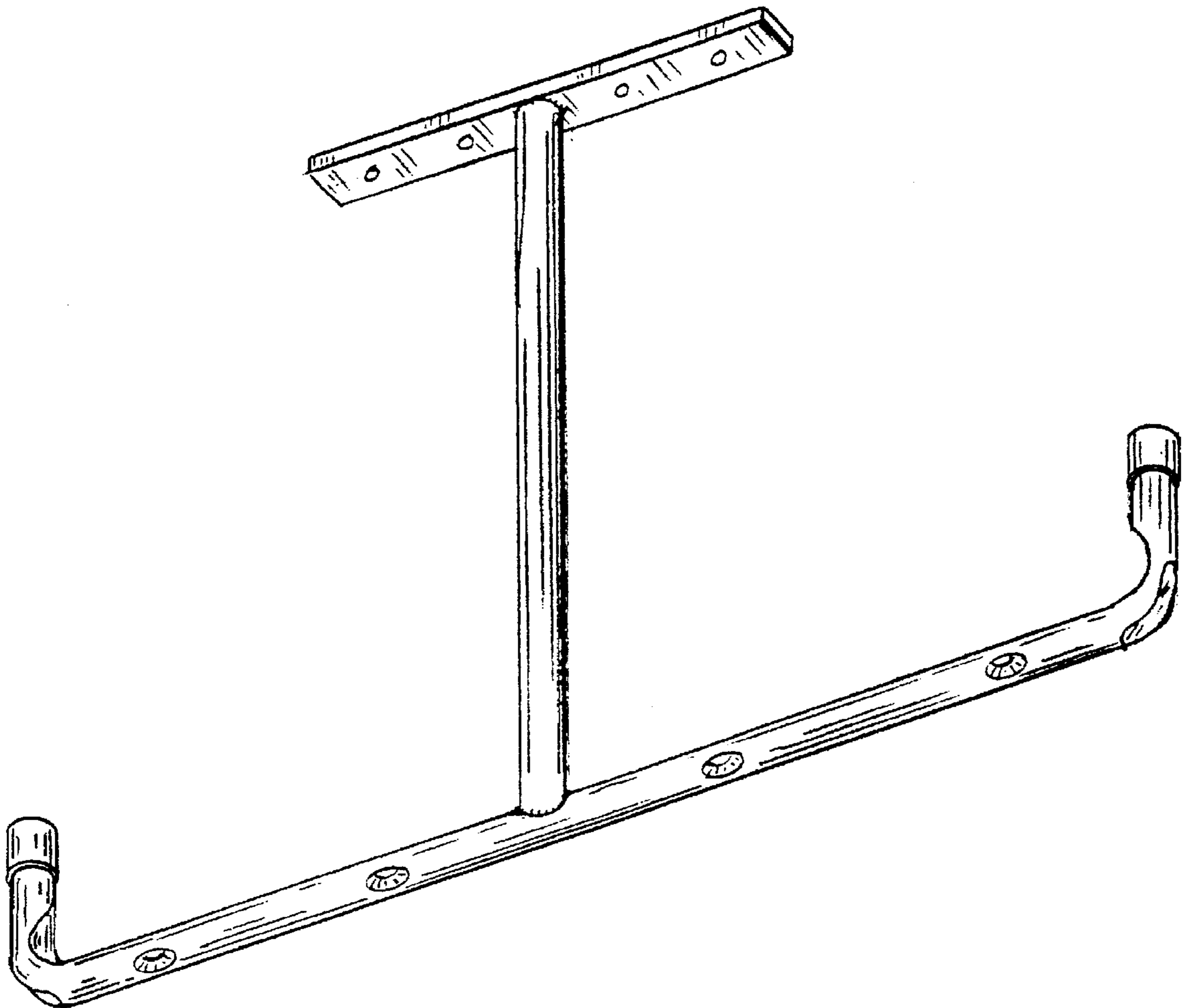
FIG. 1 is a perspective view of an overhead storage hook;
FIG. 2 is a top plan view;
FIG. 3 is a front view, the back view being a mirror image
thereof;
FIG. 4 is a left side view, the right side view being a mirror
image thereof; and,
FIG. 5 is a bottom view.

[56] **References Cited**

U.S. PATENT DOCUMENTS

1,226,845 5/1917 Benn 248/340 X

1 Claim, 1 Drawing Sheet



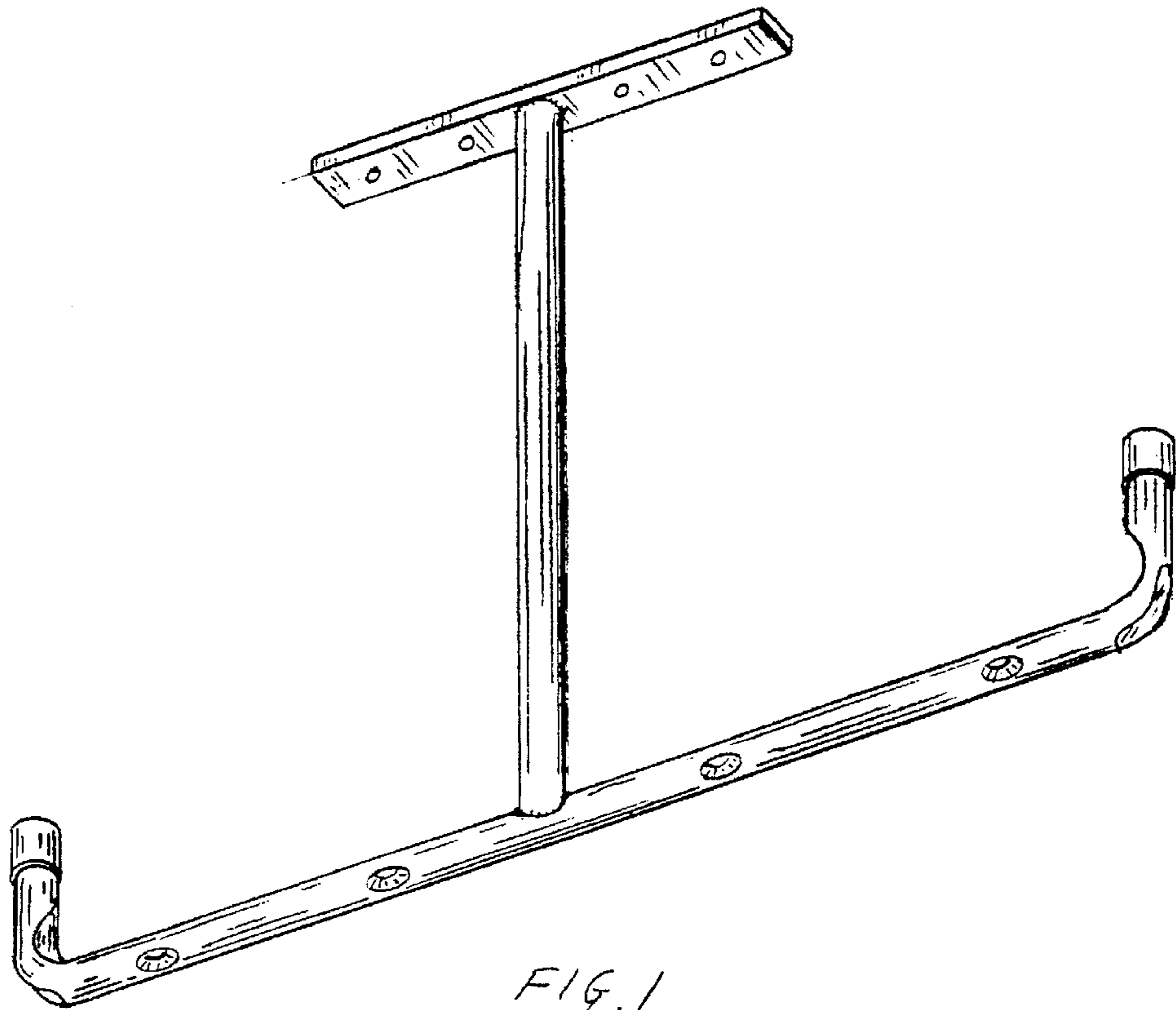


FIG. 1

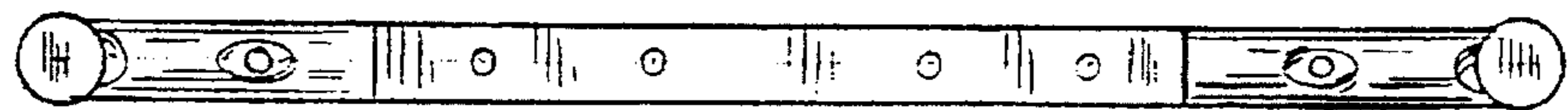


FIG. 2

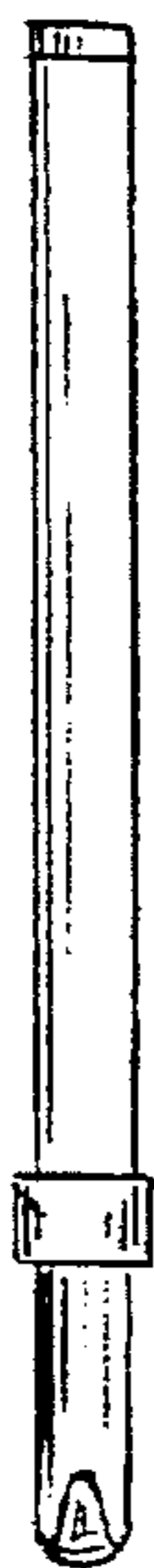


FIG. 4

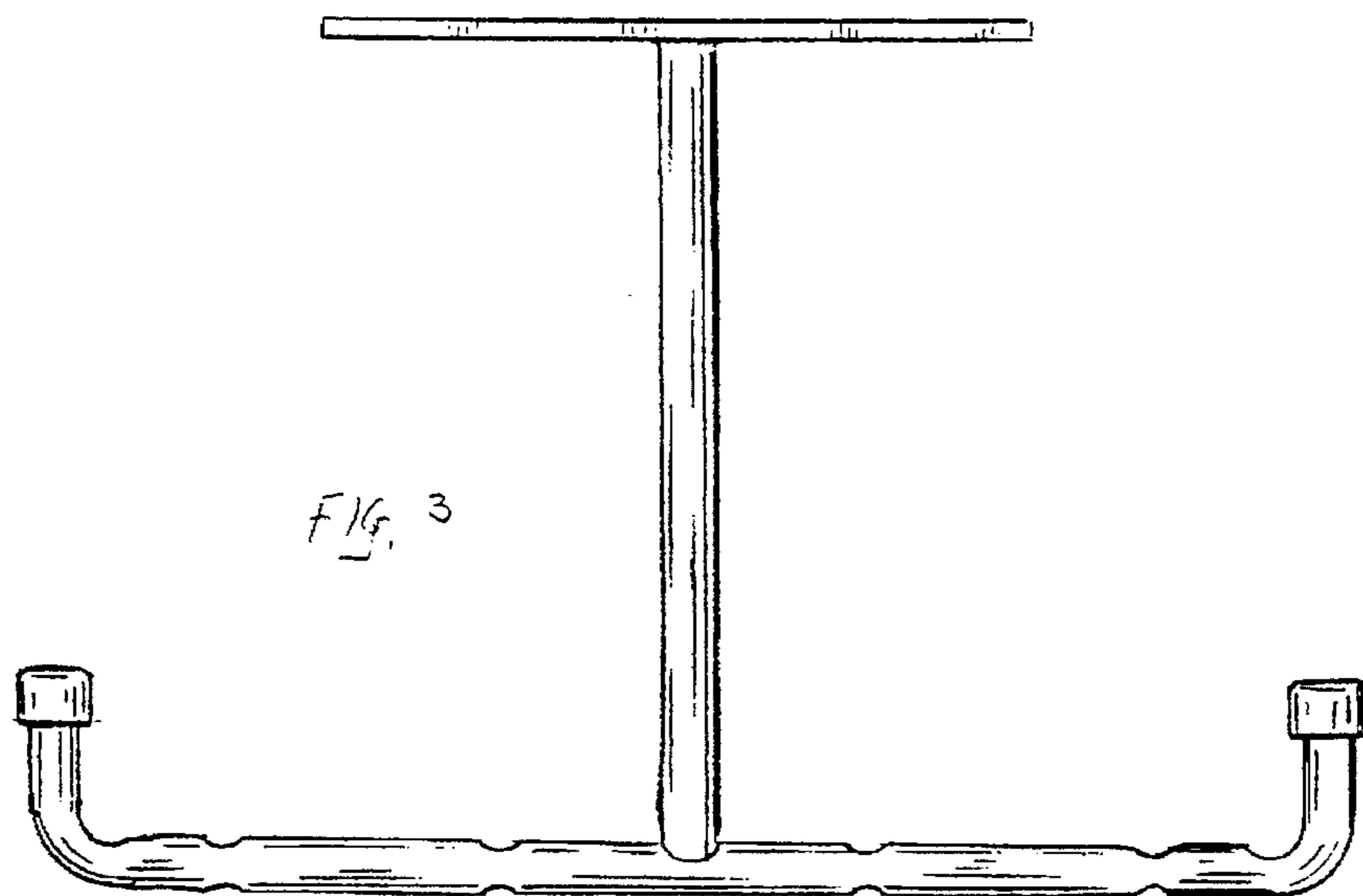


FIG. 3

FIG. 3

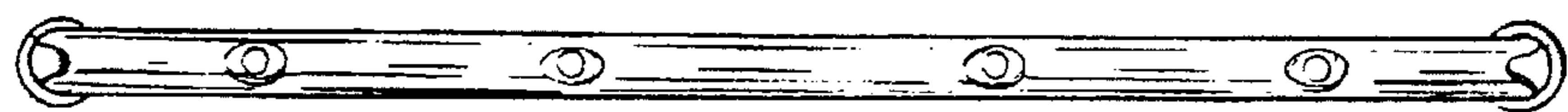


FIG. 5