



US00D380665S

United States Patent [19]

Berg et al.

[11] Patent Number: **Des. 380,665**

[45] Date of Patent: ****Jul. 8, 1997**

[54] SAFETY HOOK

[75] Inventors: **Svein Berg**, Isfjorden; **Fred Husøy**, Andalsnes, both of Norway

[73] Assignees: **S.B. Produksjon AS**, Isfjorden; **AAK AS**, Andalsnes, both of Norway

[**] Term: **14 Years**

[21] Appl. No.: **53,099**

[22] Filed: **Apr. 16, 1996**

[30] Foreign Application Priority Data

Oct. 18, 1995 [NO] Norway D950791

[51] LOC (6) Cl. **08-08**

[52] U.S. Cl. **D8/367; D8/370**

[58] Field of Search D8/367, 369-370; 248/302-303, 339; 24/26-27, 29

[56] References Cited

U.S. PATENT DOCUMENTS

D. 336,422 6/1993 Hannerstig D8/369

OTHER PUBLICATIONS

Montrose Supply Catalog, 1977, p. 377, thread guard, item No. 143135, circled item at left of page.

Larson catalog, Jul. 30, 1987, p. 24, hook, circled at left of page.

Larson catalog, Jul. 30, 1987, p. 22, hook, circled at left of page.

Primary Examiner—Holly Baynham

Attorney, Agent, or Firm—Young & Thompson

[57] CLAIM

The ornamental design for a safety hook, as shown.

DESCRIPTION

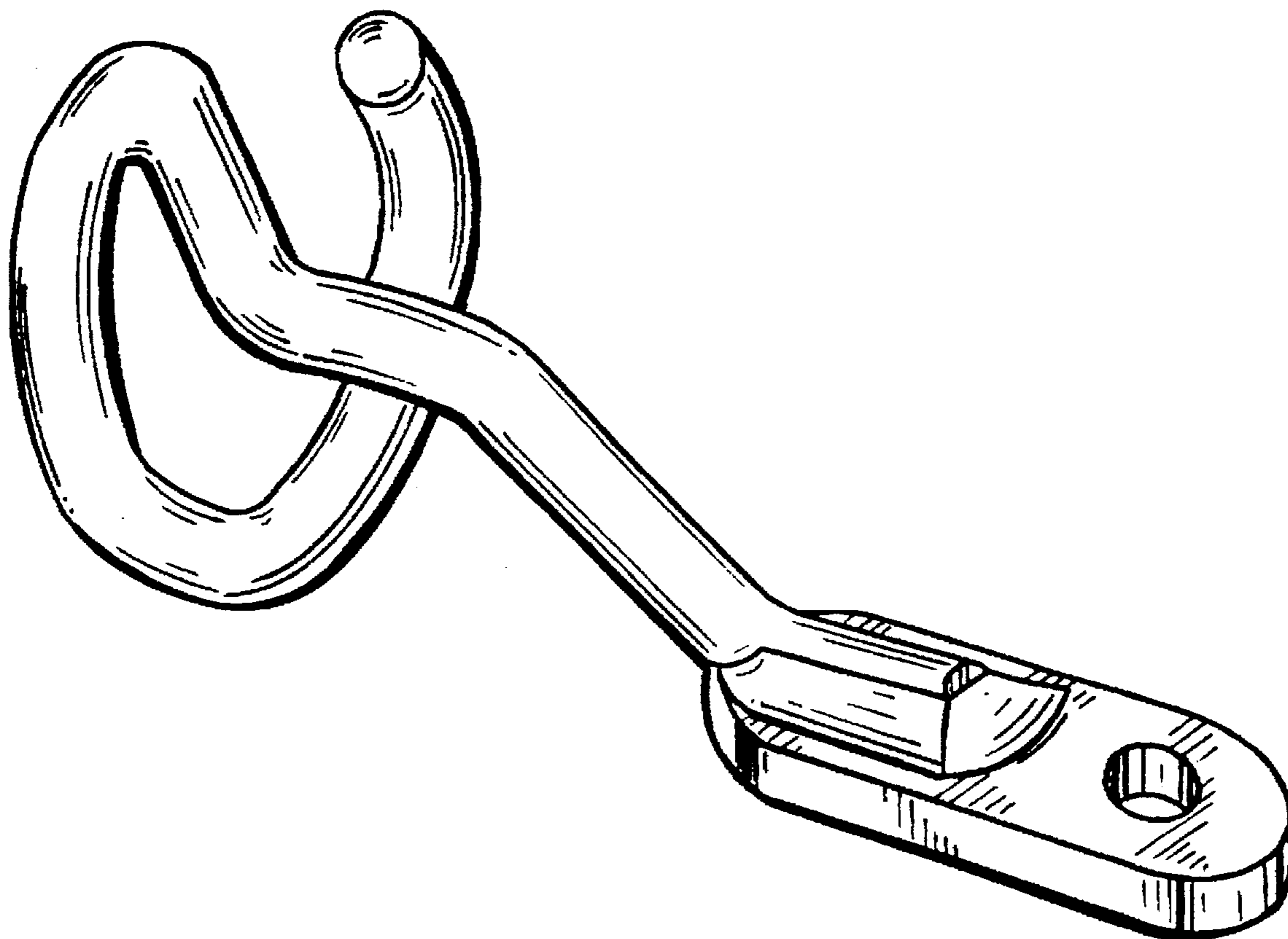
FIG. 1 is a top and side perspective view of a safety hook showing our new design;

FIG. 2 is a perspective view thereof from the side opposite that shown in FIG. 1;

FIG. 3 is a side elevational view thereof; and,

FIG. 4 is a top plan view thereof.

1 Claim, 2 Drawing Sheets



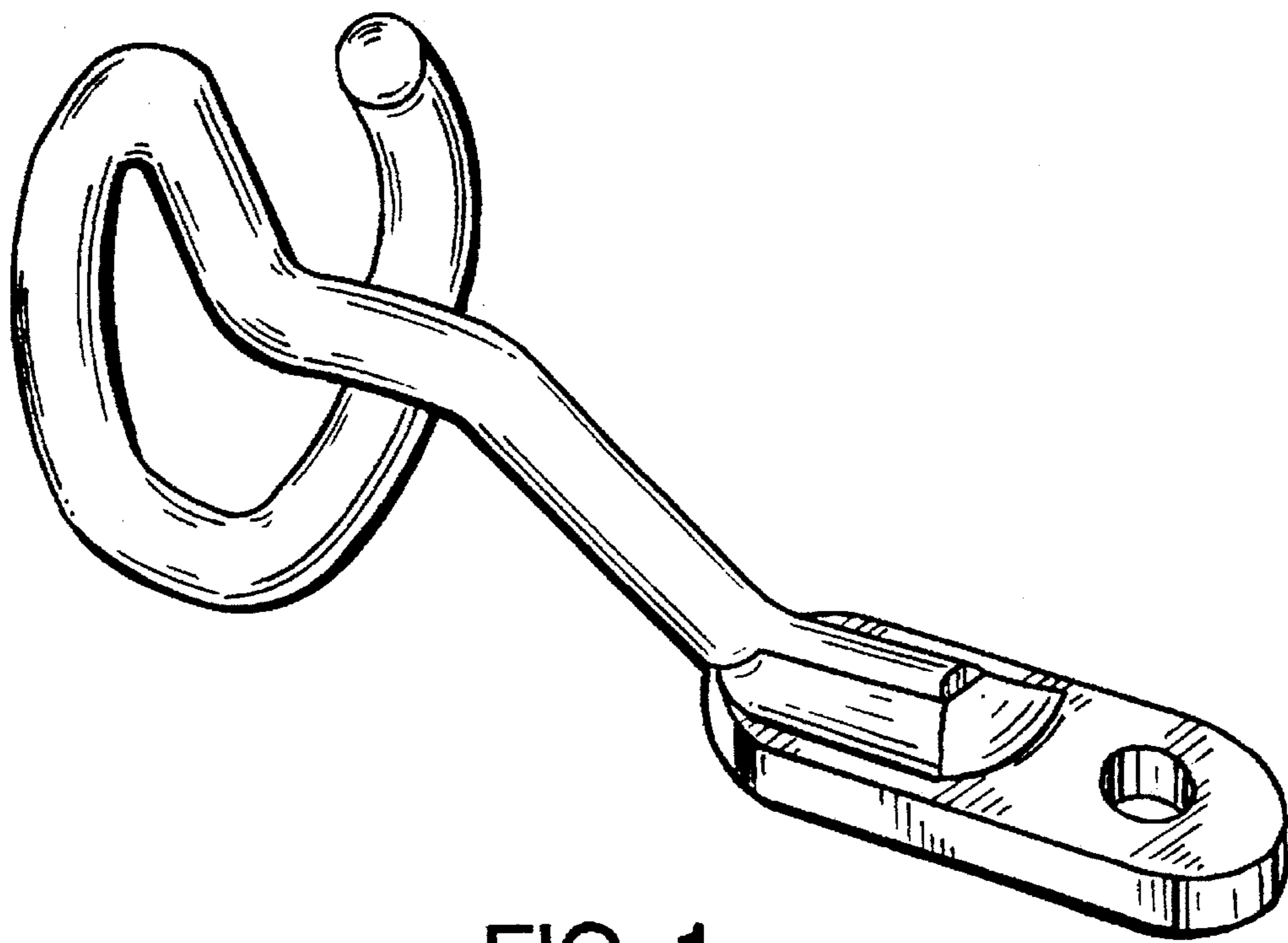


FIG. 1

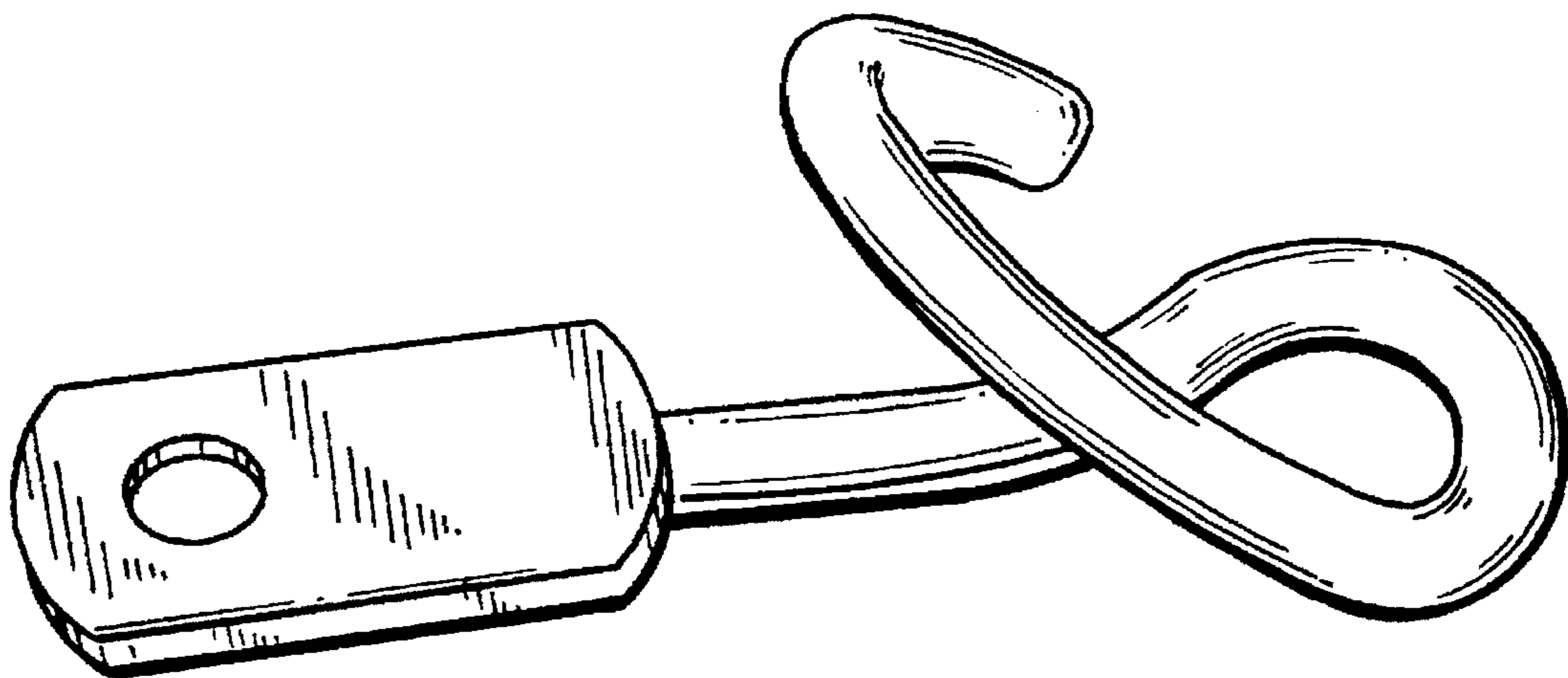


FIG. 2

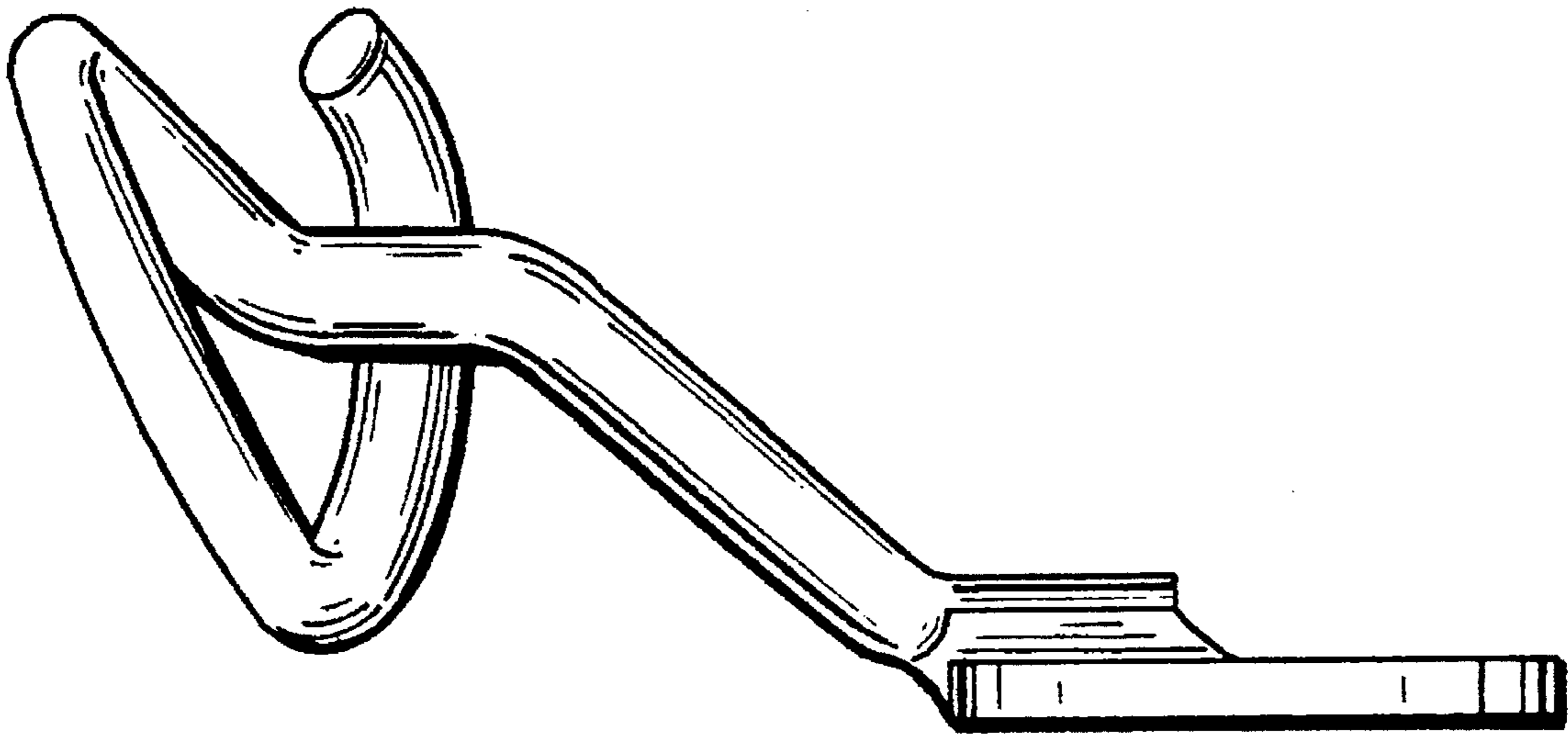


FIG. 3

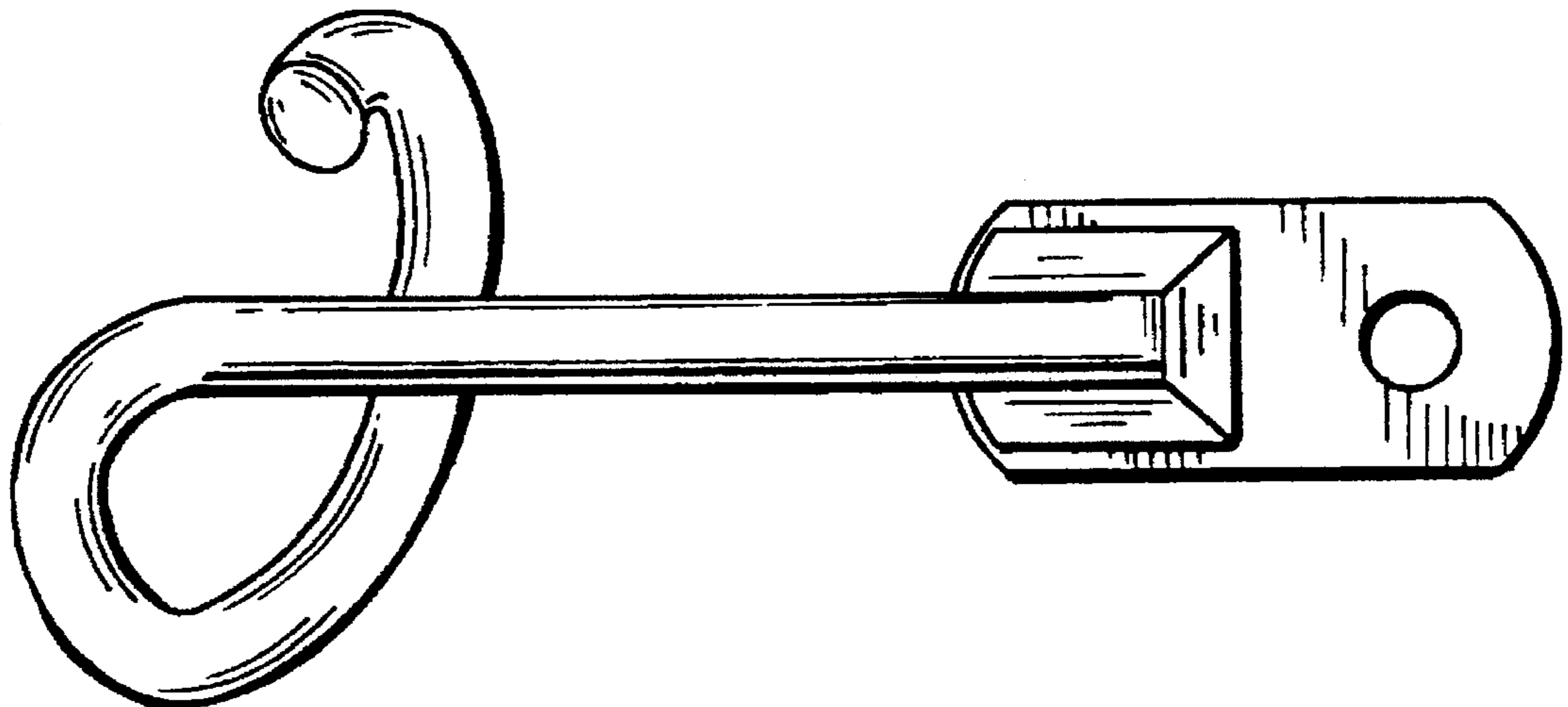


FIG. 4