



US00D380662S

United States Patent [19]
Sage

[11] **Patent Number: Des. 380,662**
[45] **Date of Patent: **Jul. 8, 1997**

[54] **HOLDER FOR AN AUTOMOBILE ANTI-THEFT DEVICE**

[76] Inventor: **Robert Sage**, 2105 N. Frederic St.,
Burbank, Calif. 91504

[**] Term: **14 Years**

[21] Appl. No.: **52,756**

[22] Filed: **Apr. 4, 1996**

[51] **LOC (6) Cl. 08-07**

[52] **U.S. Cl. D8/343**

[58] **Field of Search D8/343, 330-331;**
D6/512, 552, 553; 70/209, 212, 233, 237-238,
225, 226, 14-15, 17-19

[56] **References Cited**

U.S. PATENT DOCUMENTS

- D. 351,551 10/1994 Wilcox D8/343
- D. 365,719 1/1996 Bryan D8/343
- 522,381 6/1894 Wilcox 70/19

Primary Examiner—Brian N. Vinson
Attorney, Agent, or Firm—James E. Brunton

[57] **CLAIM**

The ornamental design for a holder for an automobile anti-theft device, as shown and described.

DESCRIPTION

FIG. 1 is a perspective view of a holder for an automobile anti-theft device showing my new design, the broken-line disclosure of the anti-theft device being for illustrative purposes only and forming no part of the claimed design;

FIG. 2 is a left end elevational view thereof;

FIG. 3 is a right end elevational view thereof;

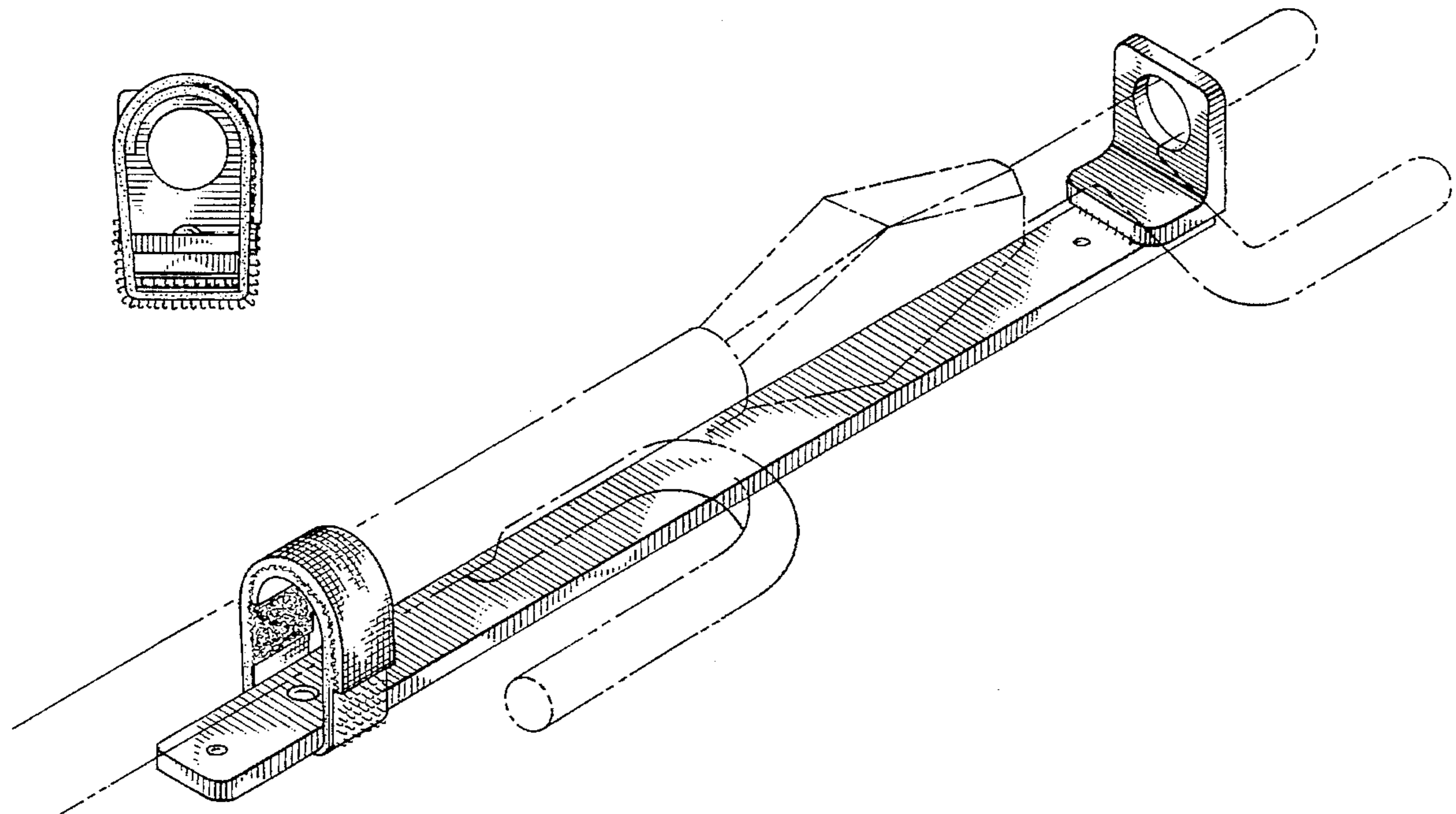
FIG. 4 is a side elevational view thereof, the opposite side being a mirror image of that shown;

FIG. 5 is a top plan view thereof;

FIG. 6 is a bottom plan view thereof; and,

FIG. 7 is a left end elevational view thereof, the broken-line disclosure of the anti-theft device and portion of the passenger compartment flooring being for illustrative purposes only and forming no part of the claimed design.

1 Claim, 2 Drawing Sheets



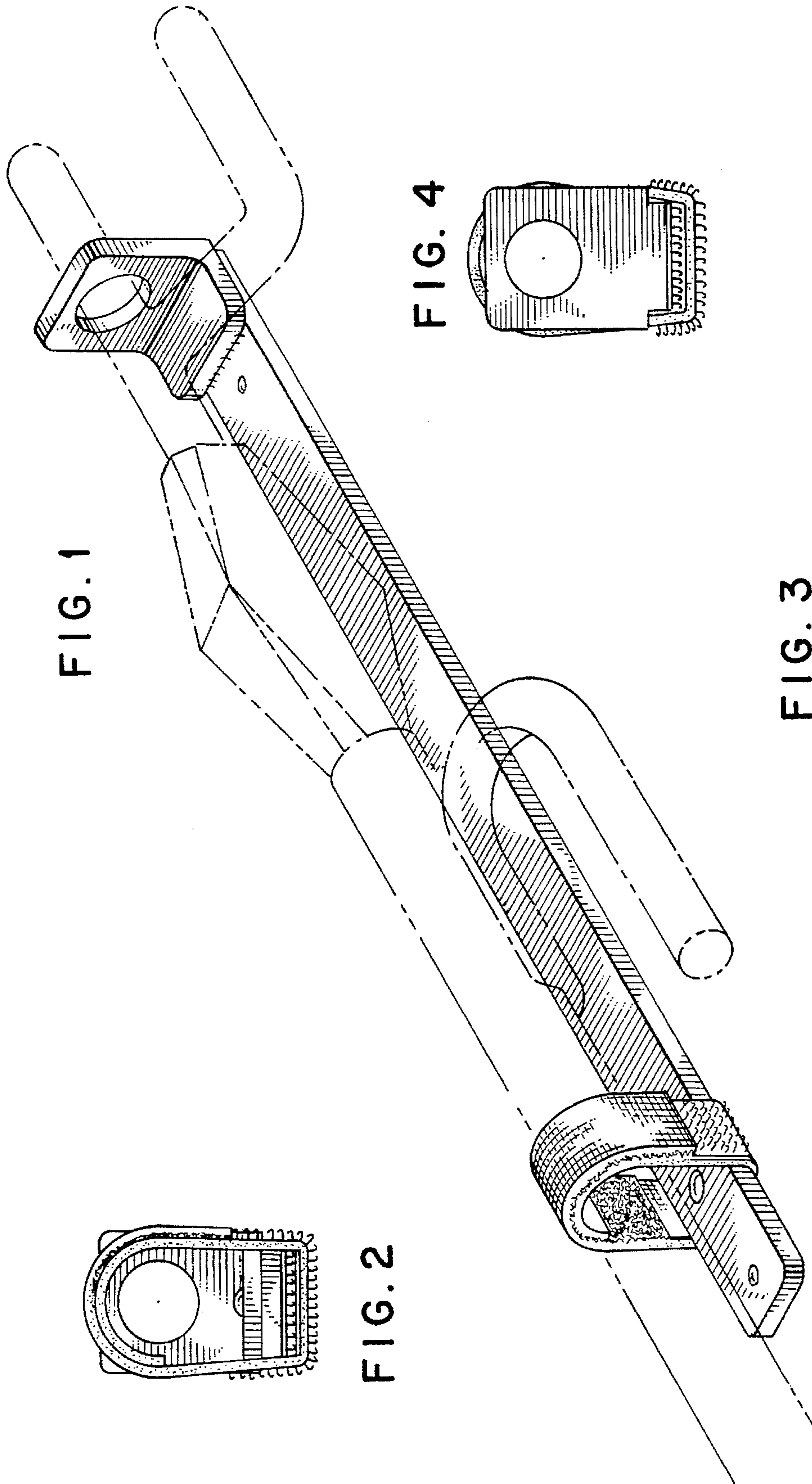


FIG. 5

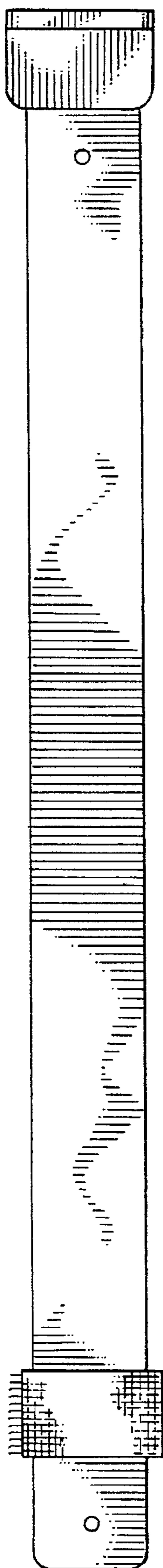


FIG. 6

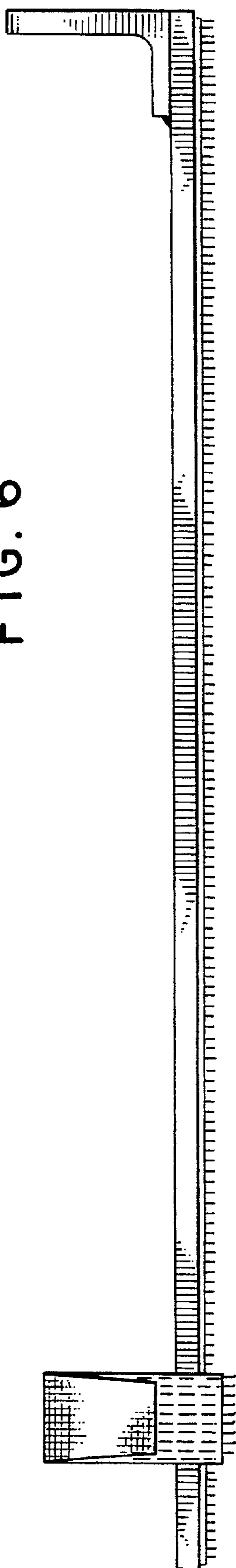


FIG. 7

