

US00D380657S

United States Patent [19]
Cornell

[11] **Patent Number: Des. 380,657**

[45] **Date of Patent: **Jul. 8, 1997**

[54] **SCISSORS**

[75] Inventor: **Robert W. Cornell**, Schofield, Wis.

[73] Assignee: **Fiskars Inc.**, Madison, Wis.

[**] Term: **14 Years**

[21] Appl. No.: **47,040**

[22] Filed: **Nov. 27, 1995**

[51] **LOC (6) Cl. 08-03**

[52] **U.S. Cl. D8/57**

[58] **Field of Search D8/57, 98; 7/125,**
7/132, 133-135, 151; 30/230, 232, 233,
252, 253-255

[56] **References Cited**

U.S. PATENT DOCUMENTS

D. 249,117	8/1978	Bäckström	D8/57
D. 254,420	3/1980	Bäckström	D8/57
D. 267,309	12/1982	Linen	D8/57
D. 267,773	2/1983	Lindén	D8/57
D. 277,450	2/1985	Hayashi	D8/57
D. 316,802	5/1991	Yamagishi	D8/57
D. 337,248	7/1993	Tanfoglio	D8/57
D. 344,225	2/1994	Hendon et al.	D8/57
D. 363,866	11/1995	Ramsey et al.	D8/57
2,490,414	12/1949	Carney	30/230
2,682,108	6/1954	Shaler	30/230
3,987,542	10/1976	Visco	30/233

OTHER PUBLICATIONS

Hong Kong Enterprise, Nov. 1984 p. 326 (Lee Shing Metal Pty scissors).

Fiskars 8" Scissors (Photographs of Fiskars 8" Scissors).

Primary Examiner—Ted Shooman
Assistant Examiner—Adir Aronovich
Attorney, Agent, or Firm—Foley & Lardner

[57] **CLAIM**

The ornamental design for the scissors, as shown and described.

DESCRIPTION

FIG. 1 is a perspective view of a scissors in accordance with my new design;

FIG. 2 is a front elevational view thereof;

FIG. 3 is a rear elevational view thereof;

FIG. 4 is a left side elevational view thereof;

FIG. 5 is a right side elevational view thereof;

FIG. 6 is a top plan view thereof;

FIG. 7 is a bottom plan view thereof;

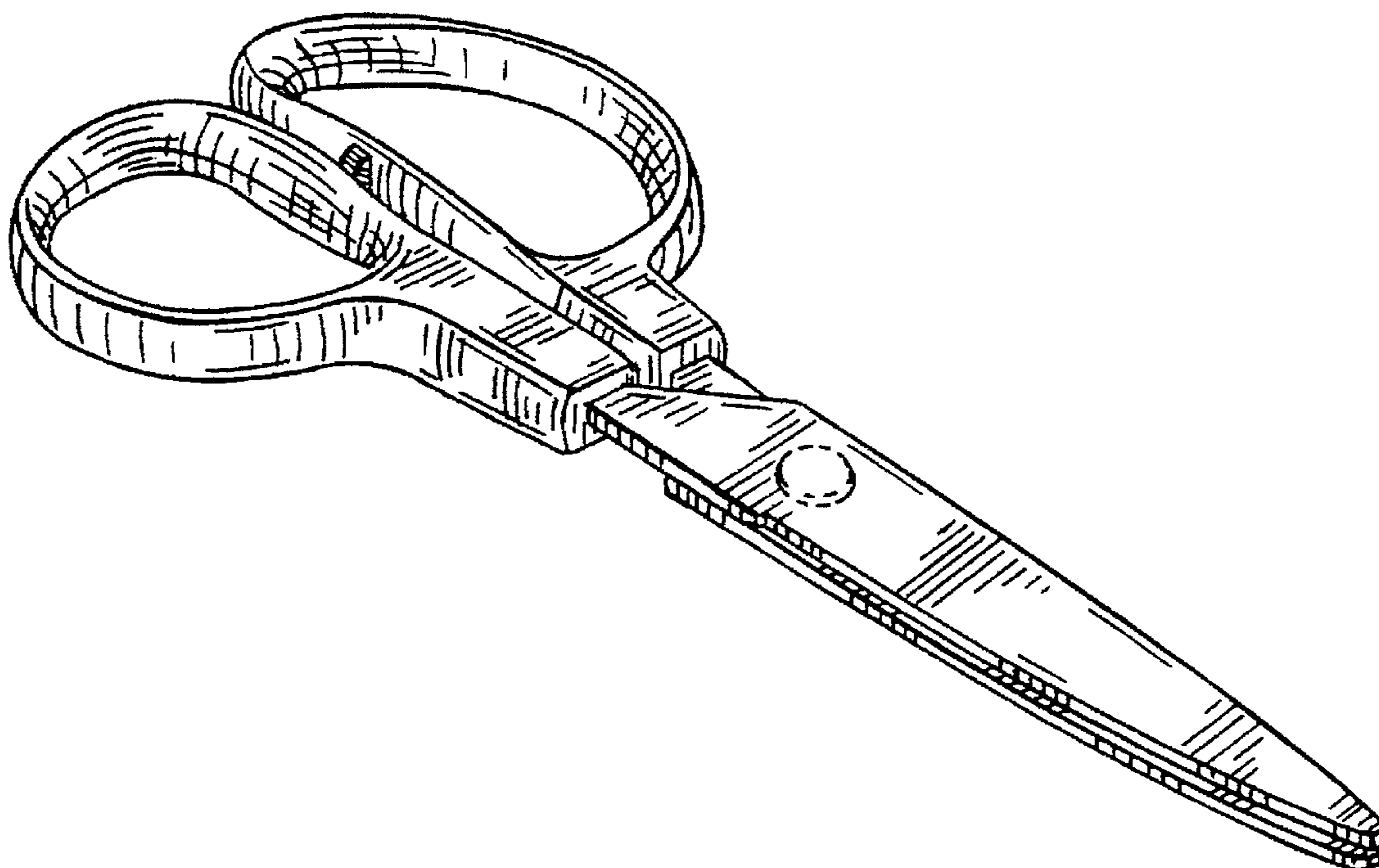
FIG. 8 is a perspective view of a second embodiment of the scissors; and,

FIG. 9 is a front elevational view of the second embodiment.

The undisclosed rear, left, right, top and bottom views of the second embodiment are identical to the respective views disclose in the first embodiment.

The broken line showing of the pivot of my new design is for illustrative purposes only and forms no part of the claimed design.

1 Claim, 2 Drawing Sheets



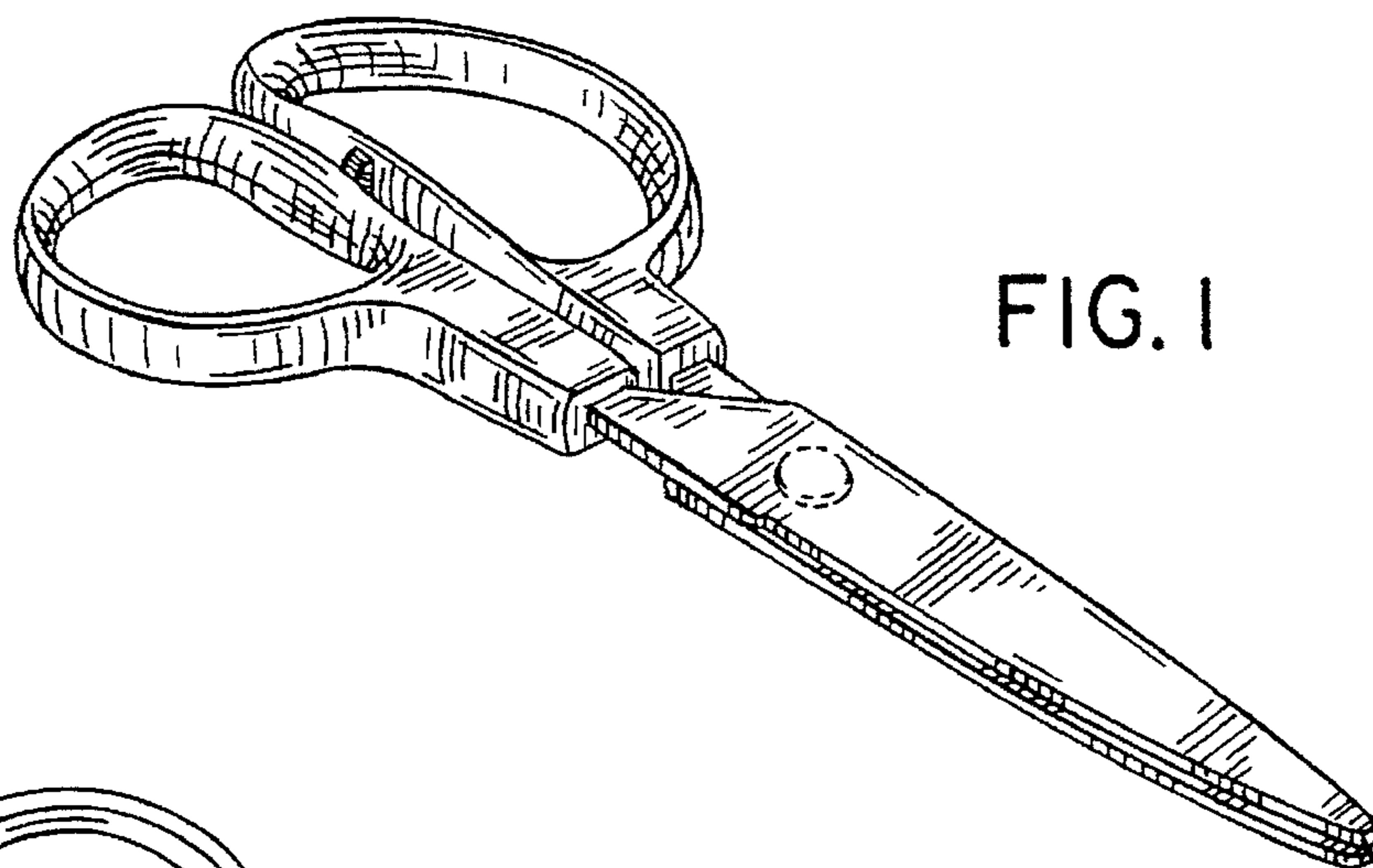


FIG. 1

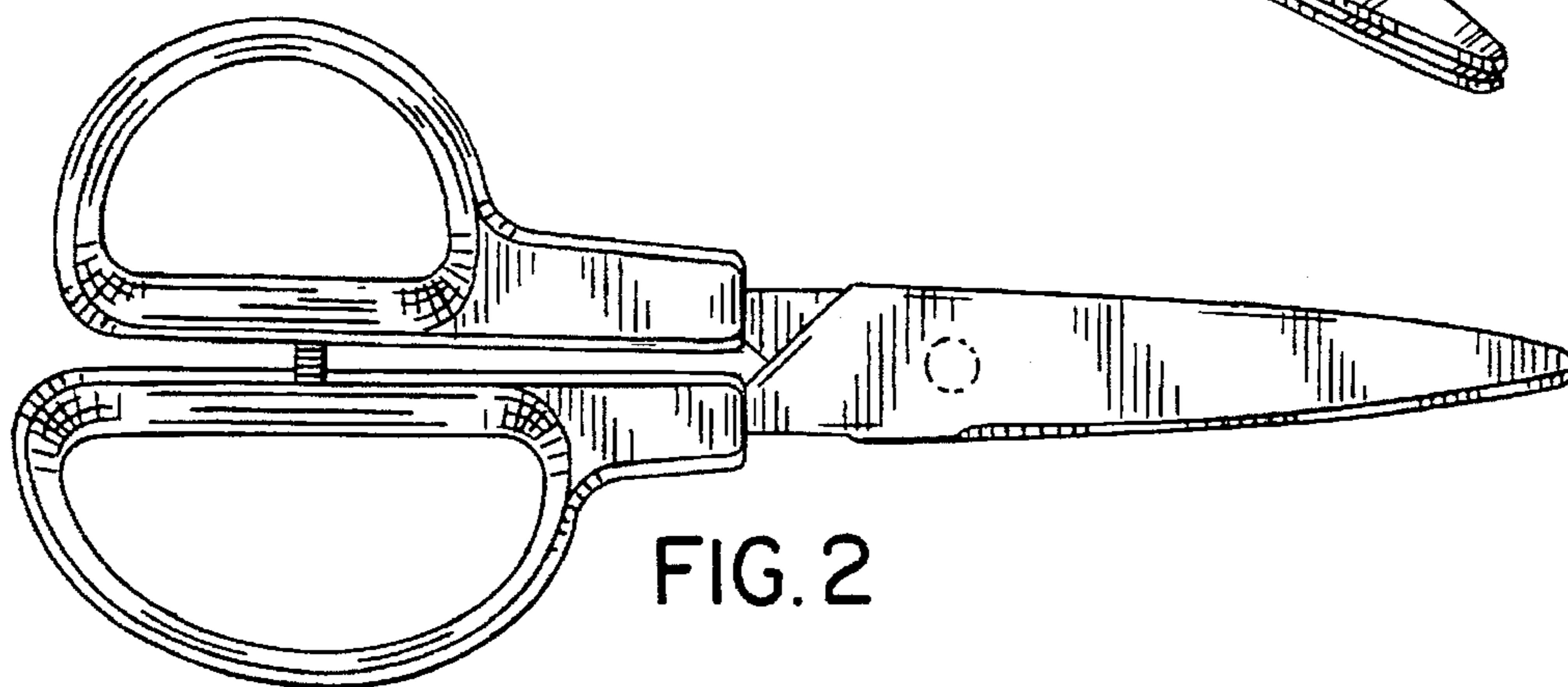


FIG. 2

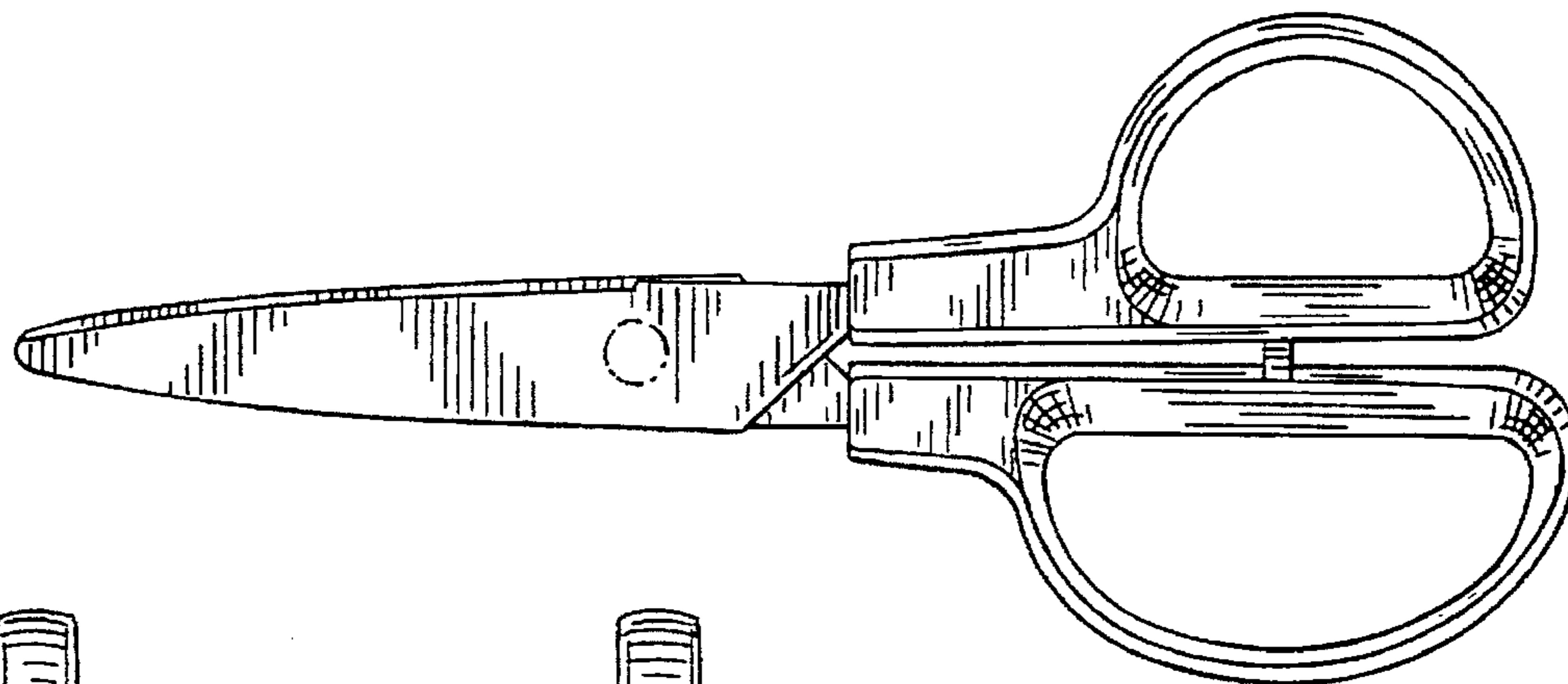


FIG. 3



FIG. 4



FIG. 5

FIG. 6

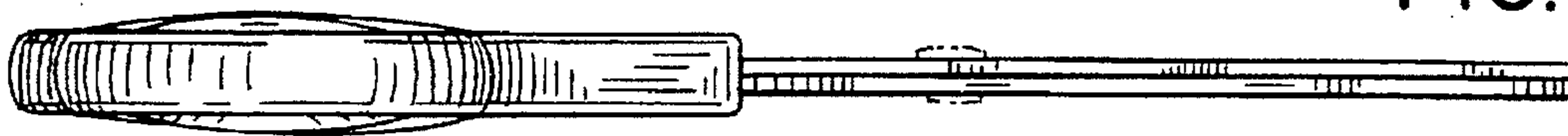


FIG. 7



FIG. 8

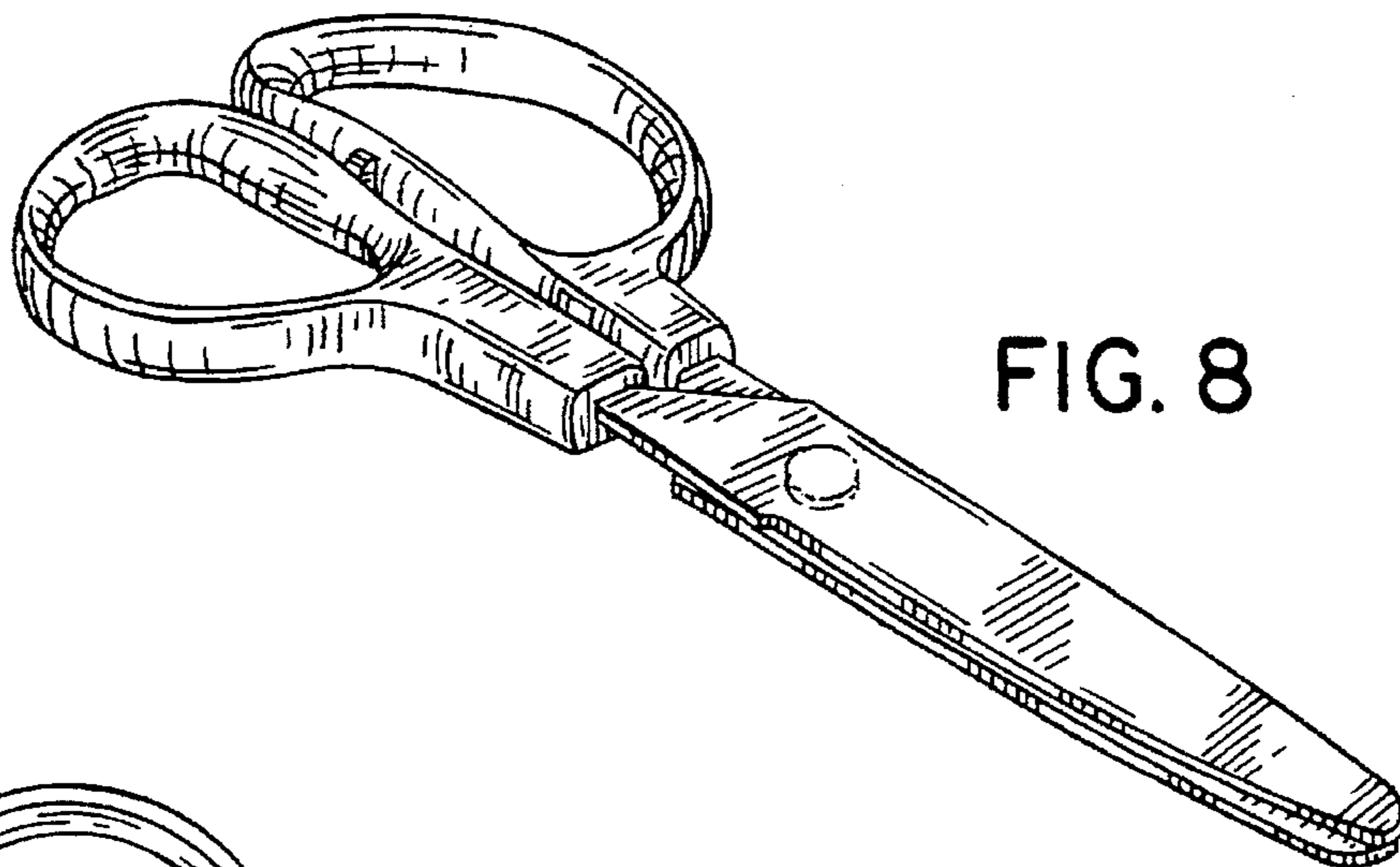


FIG. 9

