



US00D380655S

# United States Patent [19]

[11] Patent Number: **Des. 380,655**

Dillon

[45] Date of Patent: **\*\*Jul. 8, 1997**

[54] **ADJUSTABLE, ARTICULATED GUTTER RAKE**

*Primary Examiner*—Holly Baynham  
*Attorney, Agent, or Firm*—Dennis H. Lambert

[76] Inventor: **Beverly Dillon**, 10632 Two Mile Rd.,  
Ewart, Mich. 49631

[57] **CLAIM**

[\*\*] Term: **14 Years**

The ornamental design for an adjustable, articulated gutter rake, as shown and described.

[21] Appl. No.: **54,338**

**DESCRIPTION**

[22] Filed: **May 9, 1996**

FIG. 1 is a front, top and side perspective view of the adjustable, articulated gutter rake embodying the design of the present invention;

[51] LOC (6) Cl. .... **08-01**

[52] U.S. Cl. .... **D8/13**

[58] Field of Search ..... D8/13, 51; 294/19.1,  
294/28

FIG. 2 is a front elevational view thereof;

FIG. 3 is a rear elevational view thereof;

FIG. 4 is a side elevational view thereof, the side opposite being a mirror image of the side shown in FIG. 4;

FIG. 5 is a top plan view thereof; and,

FIG. 6 is a bottom plan view thereof.

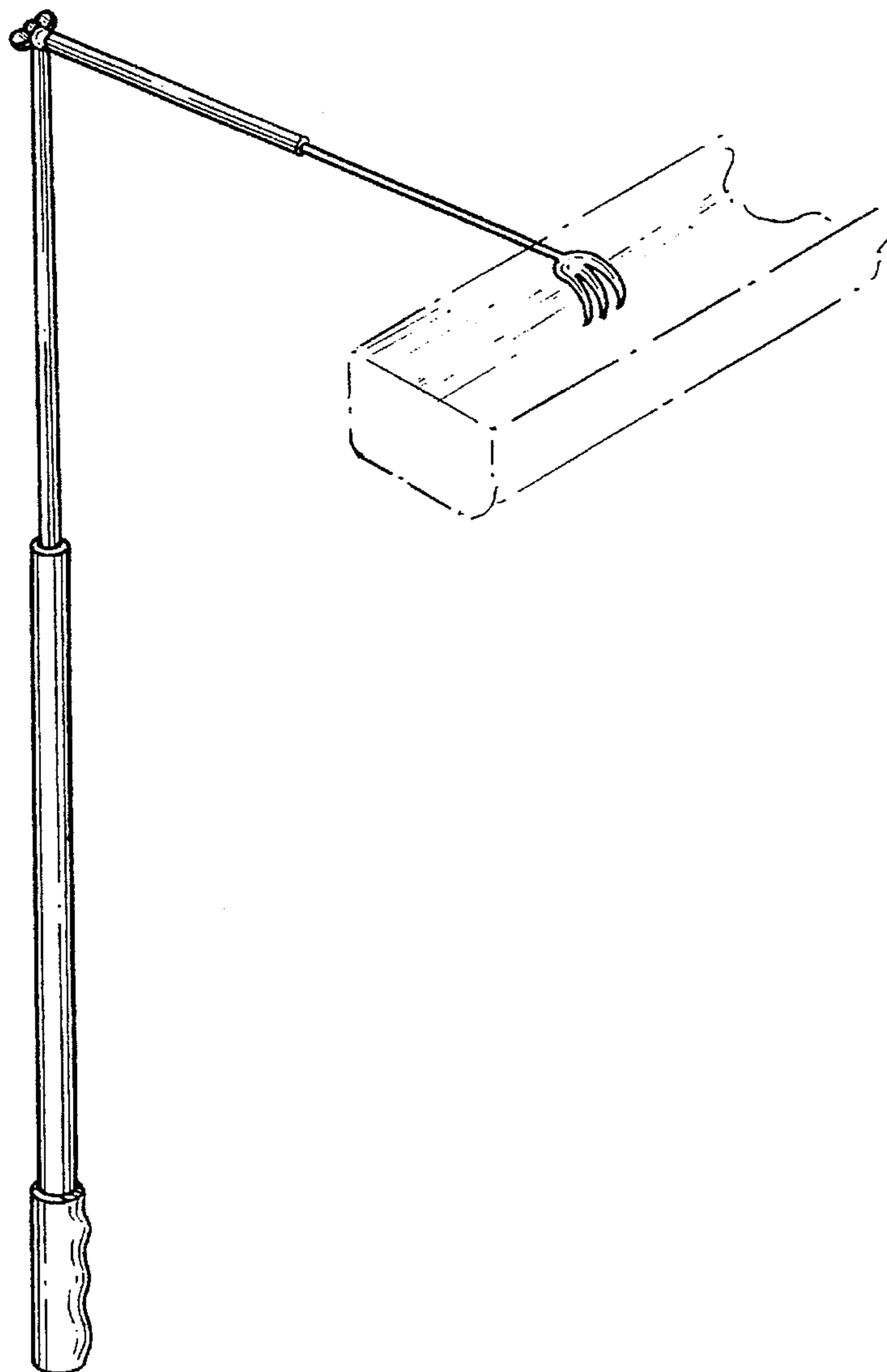
[56] **References Cited**

**U.S. PATENT DOCUMENTS**

D. 314,898	2/1991	Rust	.....	D8/51
4,114,938	9/1978	Strader	.....	294/19.1
4,791,780	12/1988	Phillips	.....	56/400.04
4,930,824	6/1990	Matthews et al.	.....	294/19.1

The broken line showing of a portion of a gutter is for illustrative purposes only and forms no part of the claimed design.

**1 Claim, 4 Drawing Sheets**



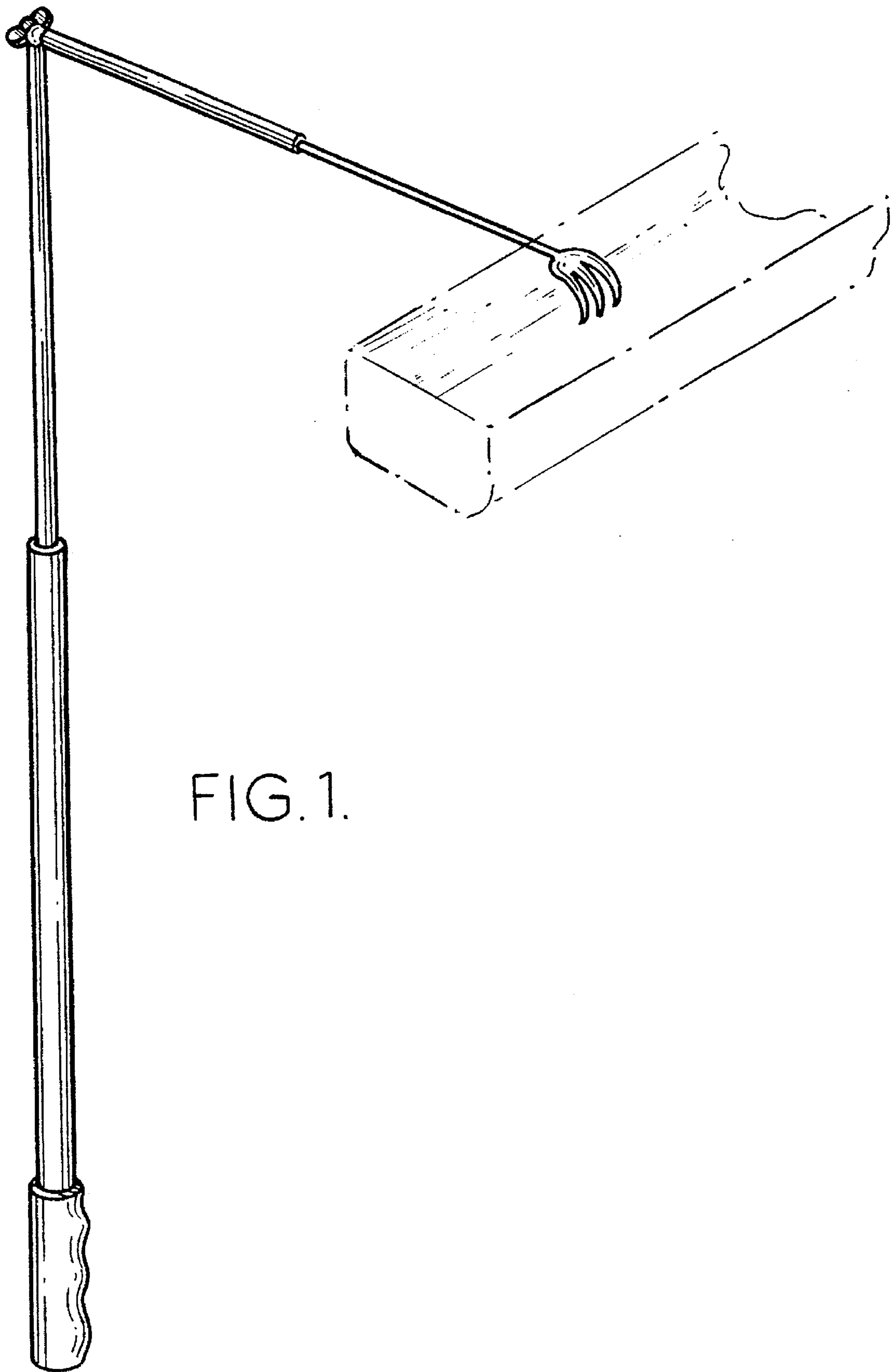


FIG. 1.

FIG. 6.



FIG. 3.



FIG. 2.



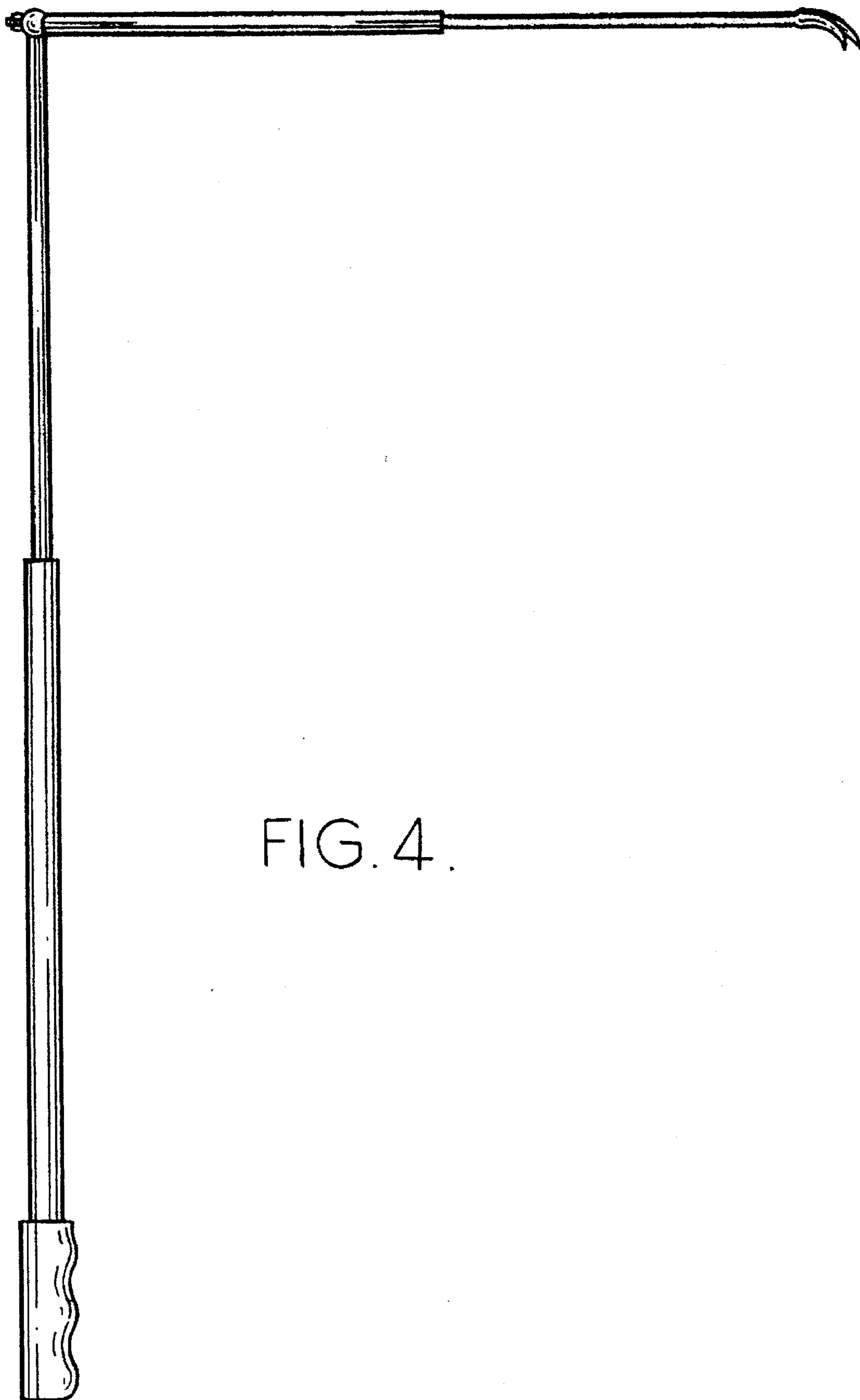


FIG. 4.

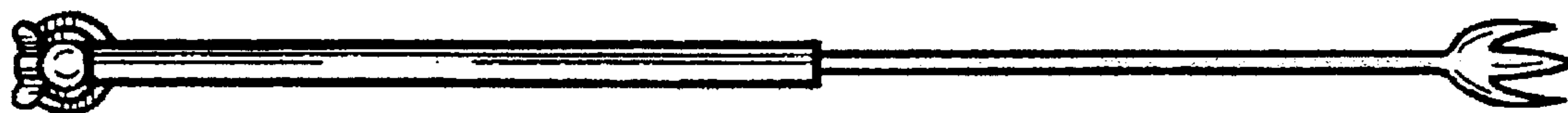


FIG. 5.