



US00D380654S

United States Patent [19]
Chen

[11] **Patent Number: Des. 380,654**
[45] **Date of Patent: **Jul. 8, 1997**

[54] **COMBINATION CULTIVATING AND TRENCHING TOOL HEAD**

1,369,835 3/1921 Ninman 172/375

[76] Inventor: **John Chen**, No. 14, Alley 6, Lane 17, Sec. 3, Chung Yang Rd., Lung Ching Hsiang, Taichung Hsien, Taiwan

Primary Examiner—Holly Baynham
Attorney, Agent, or Firm—Bacon & Thomas

[**] Term: **14 Years**

[57] **CLAIM**

The ornamental design for a combination cultivating and trenching tool head, as shown and described.

[21] Appl. No.: **53,859**

DESCRIPTION

[22] Filed: **May 1, 1996**

FIG. 1 is a top, left front perspective view of a combination cultivating and trenching tool head showing my new design; FIG. 2 is a front elevational view thereof; FIG. 3 is a rear elevational view thereof; FIG. 4 is a left side elevational view thereof; FIG. 5 is a right side elevational view thereof; FIG. 6 is a top plan view thereof; FIG. 7 is a bottom plan view thereof; and, FIG. 8 is a top, left front perspective view thereof, the broken line showing of the handle being for illustrative purposes only and forming no part of the claimed design.

[51] **LOC (6) Cl.** **08-01**

[52] **U.S. Cl.** **D8/11**

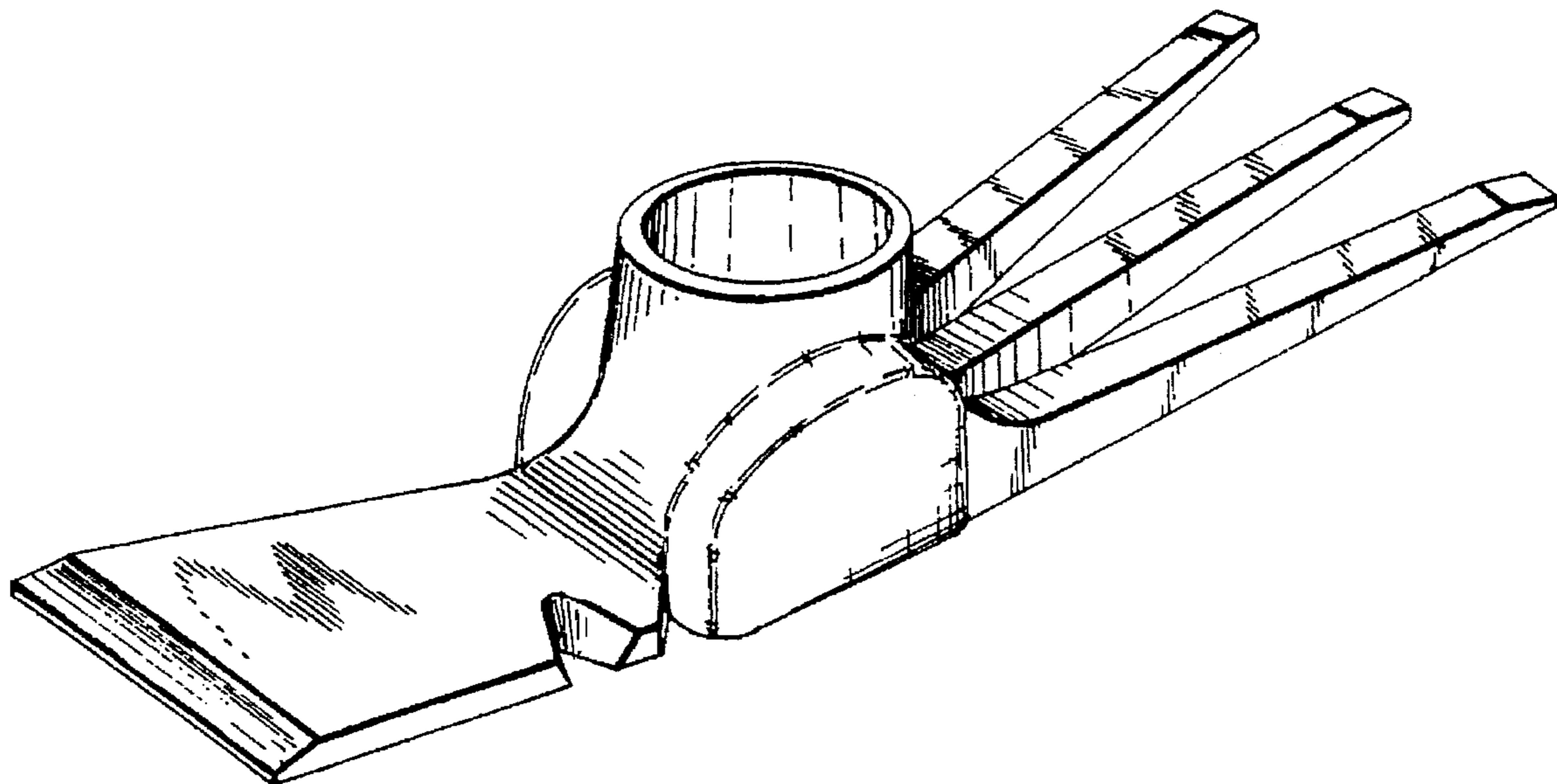
[58] **Field of Search** D8/7, 9, 11; 172/371, 172/372, 375, 376; 7/114-116

[56] **References Cited**

U.S. PATENT DOCUMENTS

- D. 300,109 3/1989 Zabarte D8/11
- D. 303,341 9/1989 Zabarte D8/11
- D. 356,929 4/1995 Lee D8/9

1 Claim, 5 Drawing Sheets



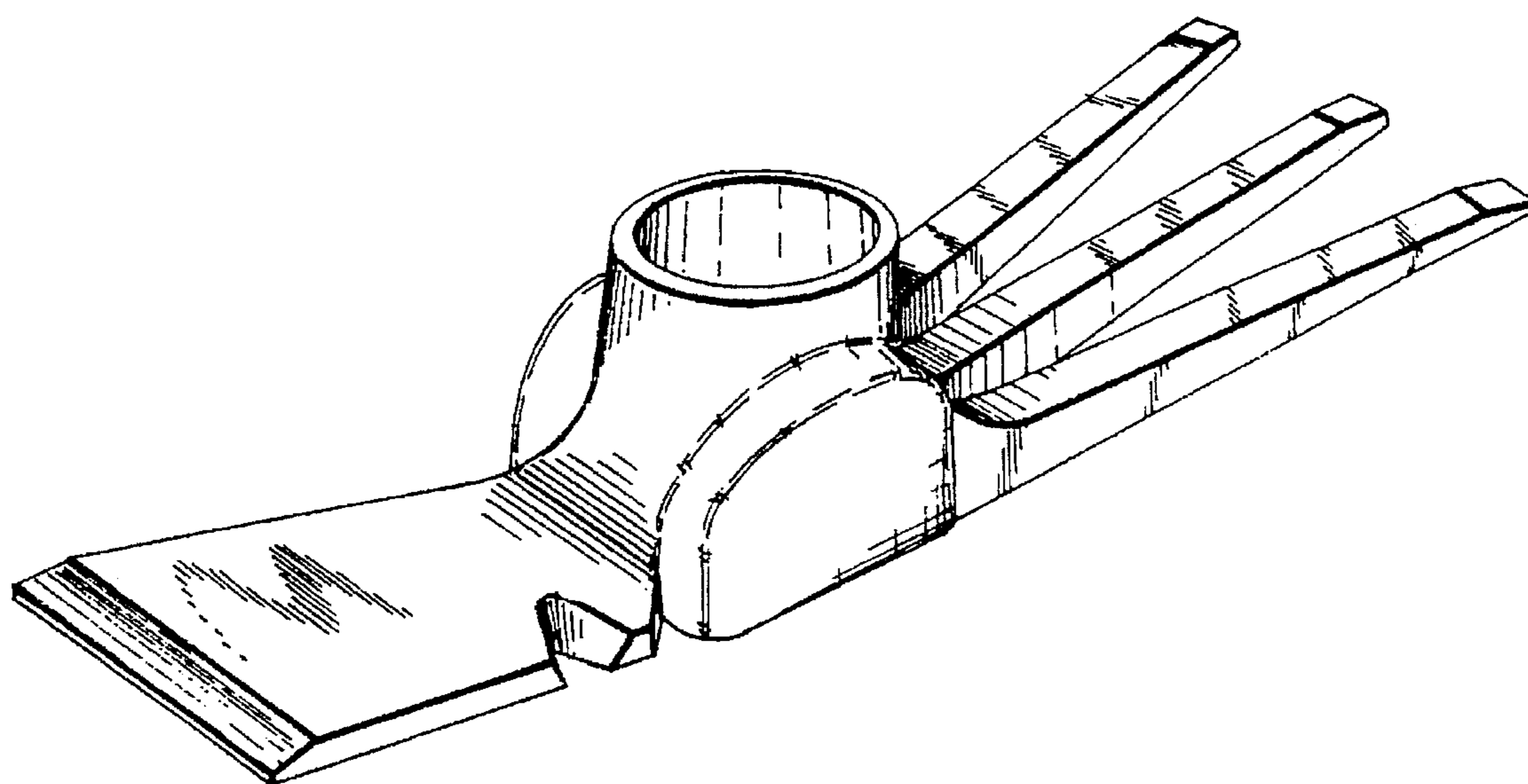


FIG. 1

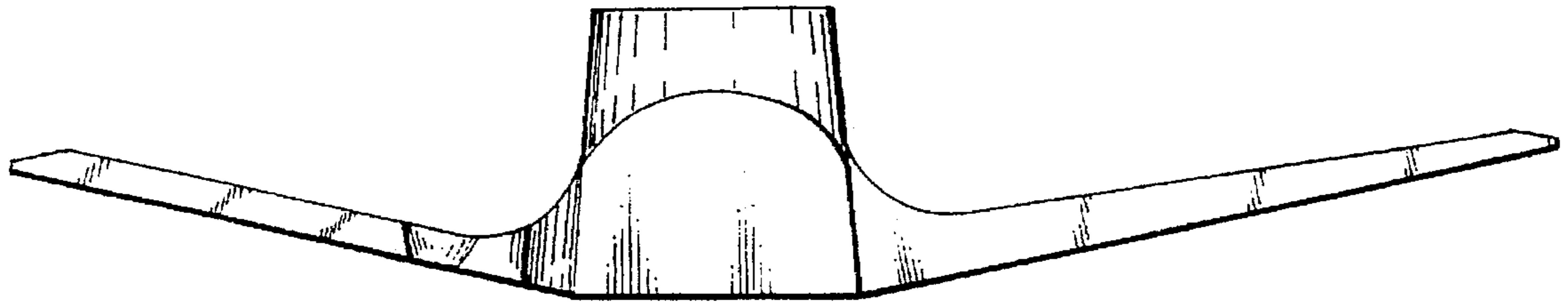


FIG. 2

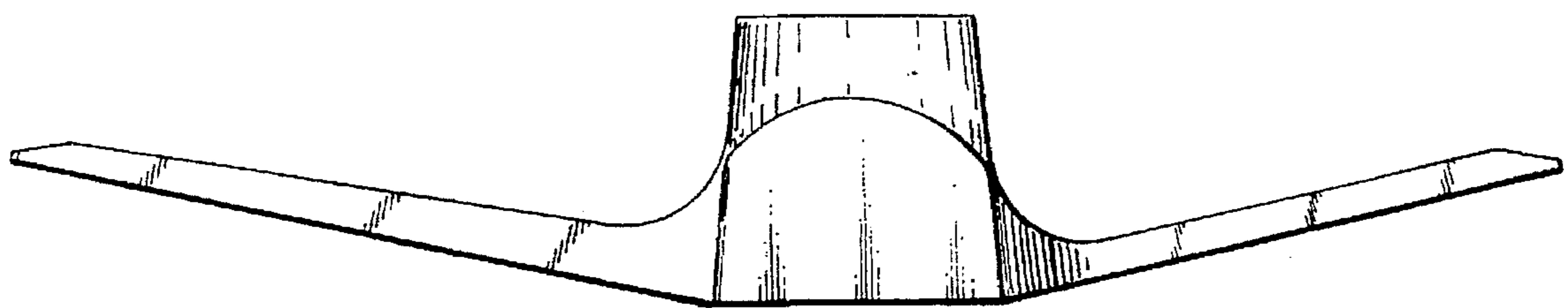


FIG. 3

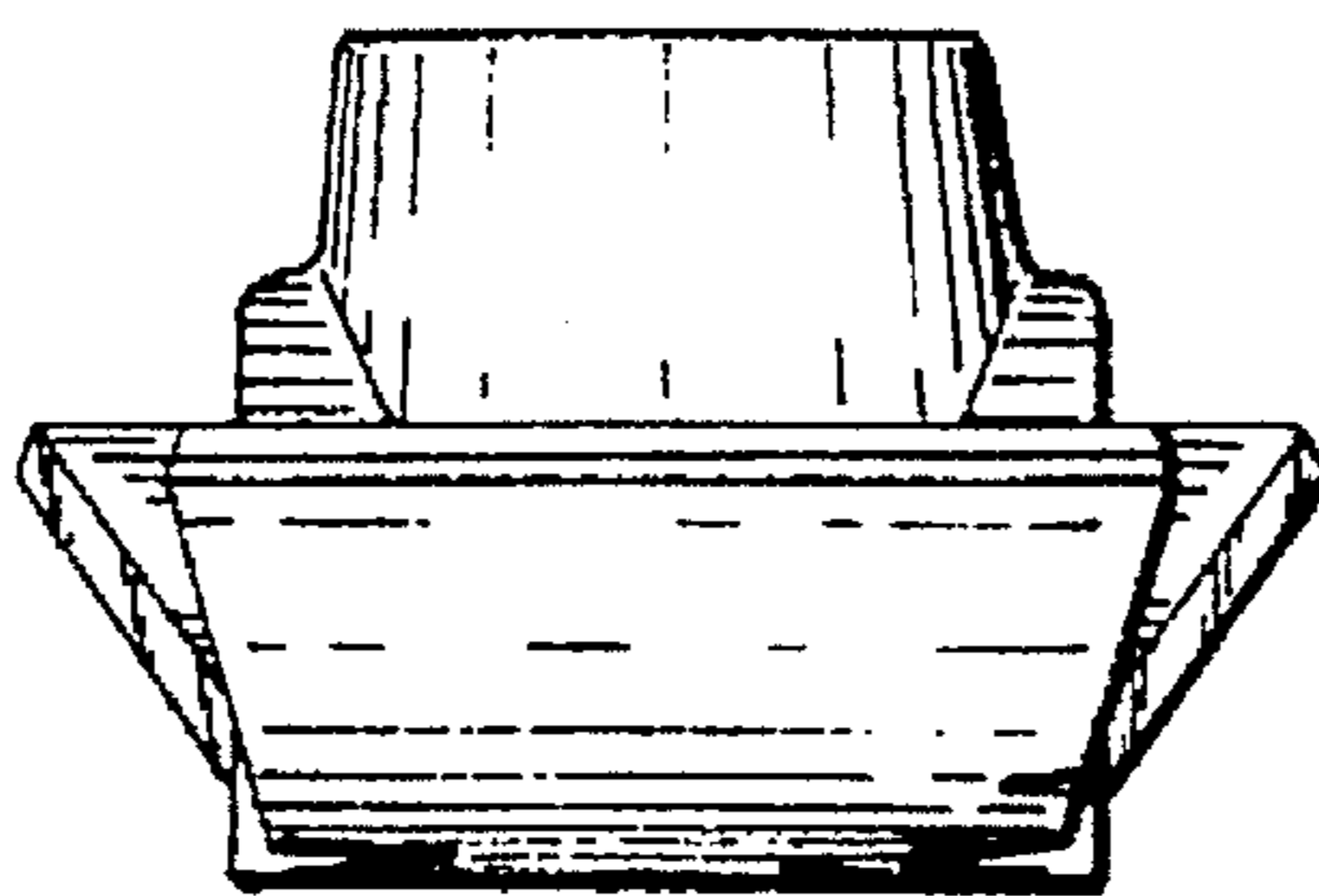


FIG. 4

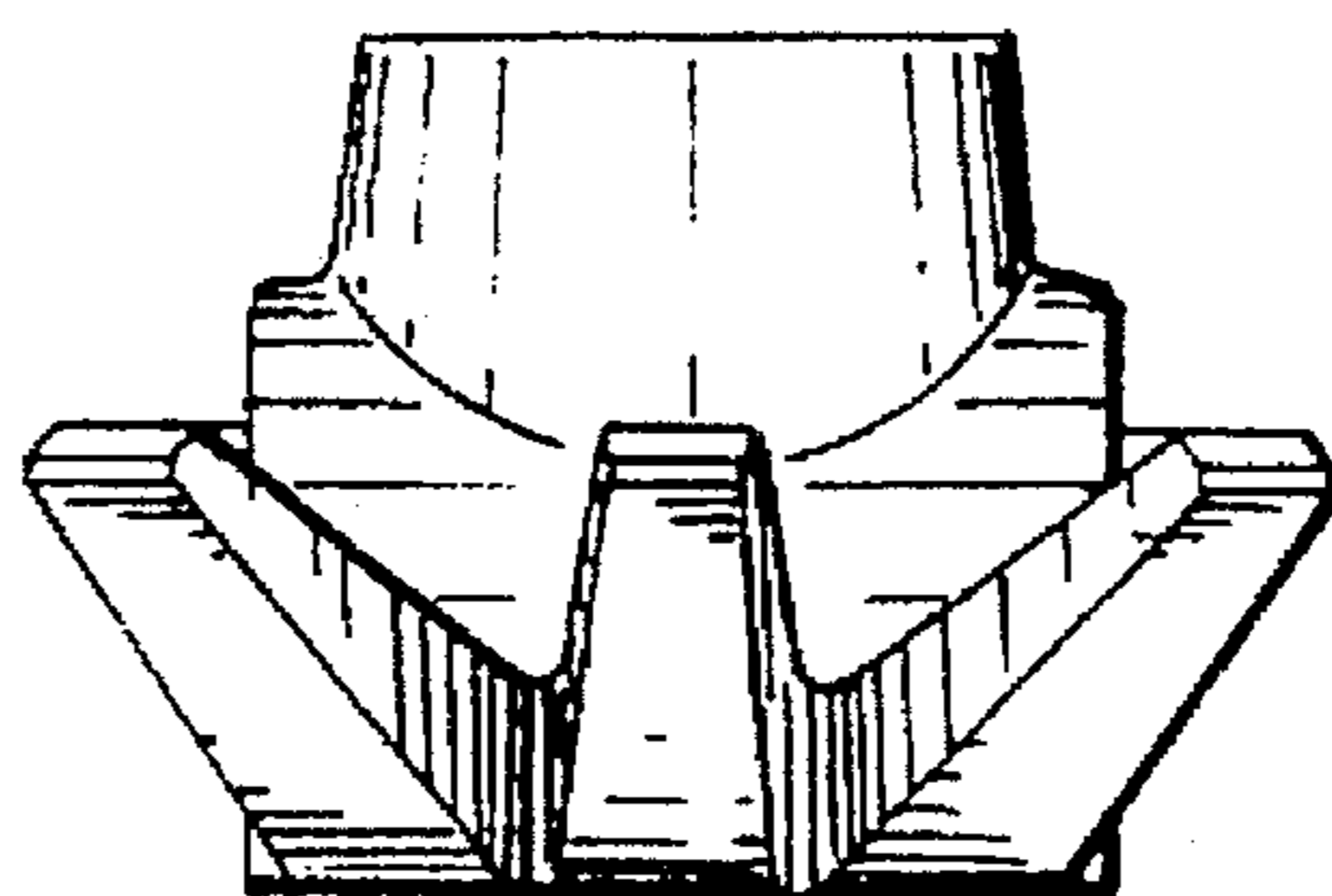


FIG. 5

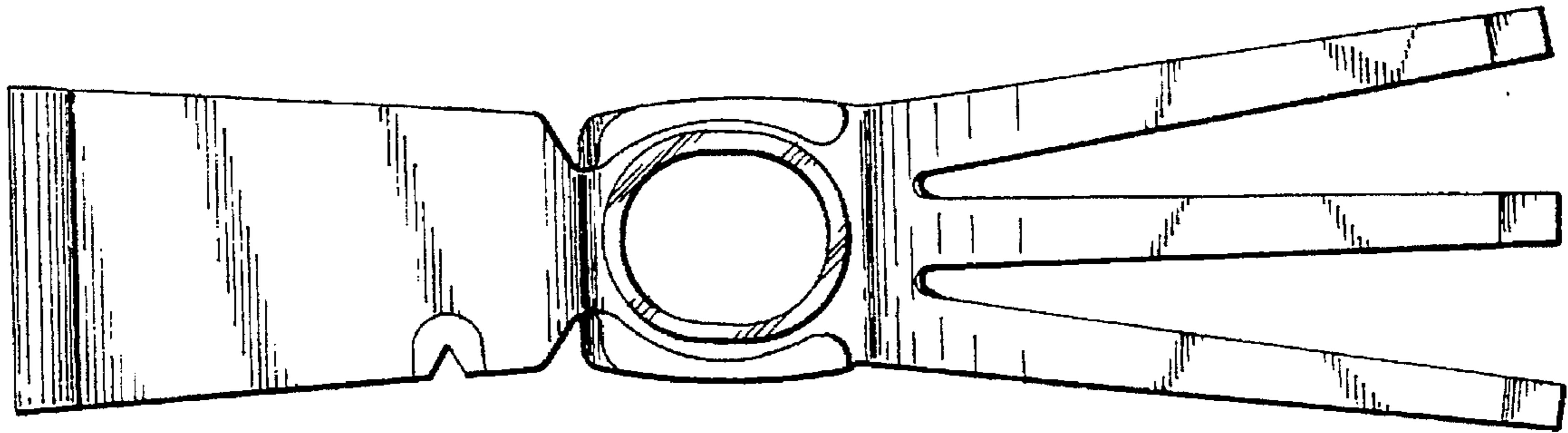


FIG. 6

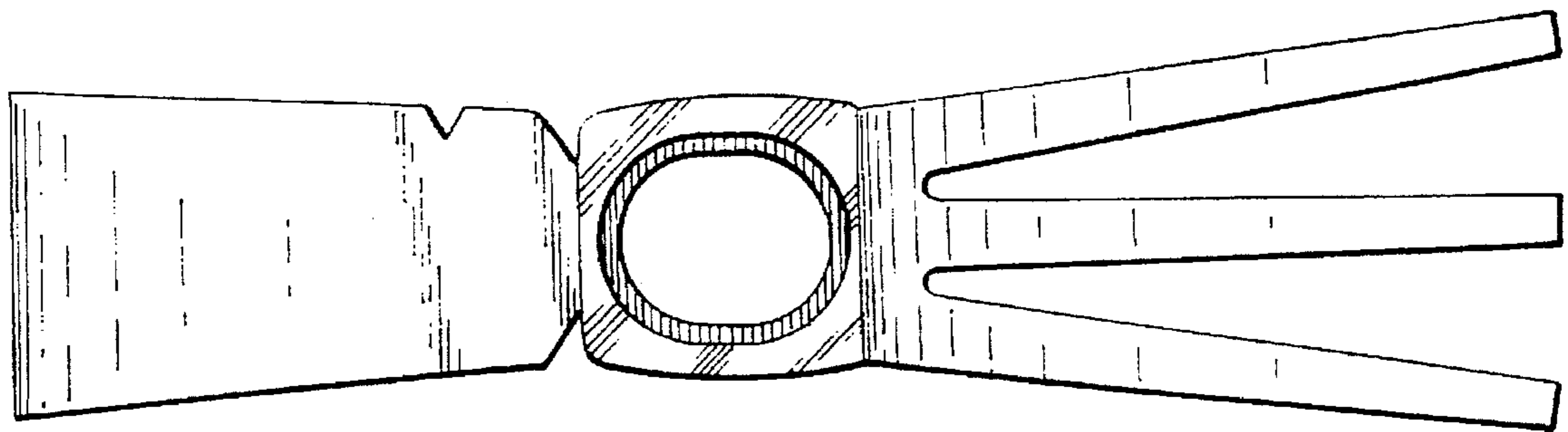


FIG. 7

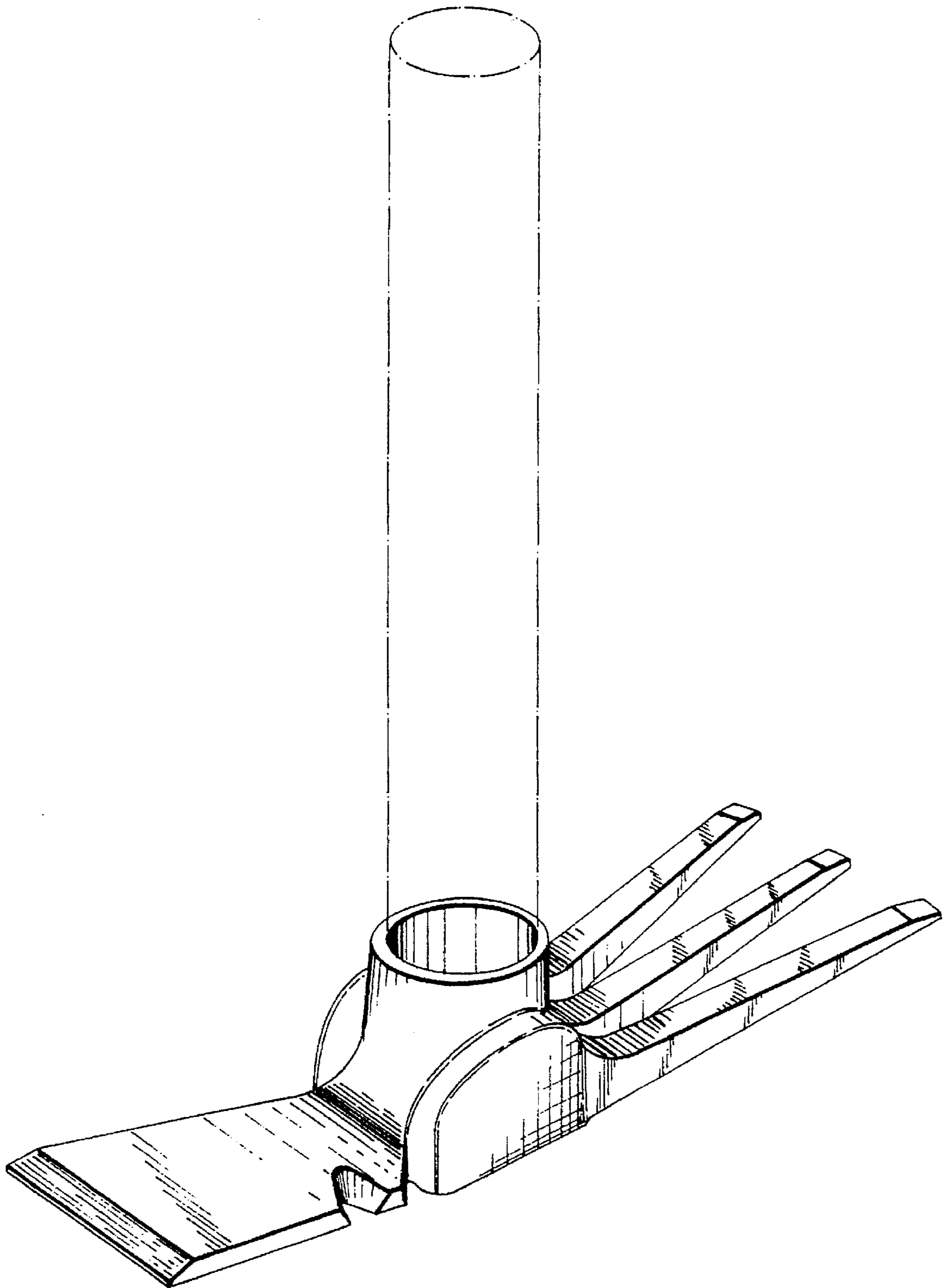


FIG. 8