



US00D380652S

United States Patent [19]

[11] Patent Number: **Des. 380,652**

Ayotte et al.

[45] Date of Patent: ****Jul. 8, 1997**

[54] **CUPHOLDER AND SUPPORT FOR ATTACHMENT TO FURNITURE**

[75] Inventors: **John Ayotte, Eagan; Peter W. A. Bergin, Hopkins, both of Minn.**

[73] Assignee: **MTS Northwest Sound, Inc., Minneapolis, Minn.**

[**] Term: **14 Years**

[21] Appl. No.: **48,490**

[22] Filed: **Dec. 29, 1995**

Related U.S. Application Data

[60] Division of Ser. No. 26,729, Aug. 4, 1994, Pat. No. Des. 367,997, which is a continuation-in-part of Ser. No. 55,318, Feb. 26, 1993, abandoned.

[51] **LOC (6) Cl. 07-06**

[52] **U.S. Cl. D7/620**

[58] **Field of Search D7/619, 620, 622; 211/74, 75; 248/311.2, 313, 295.1; 215/395; 294/27.1, 31.2; 297/188.01, 188.14, 188.21**

References Cited

U.S. PATENT DOCUMENTS

- D. 162,959 4/1951 Janes et al. .
- D. 244,302 5/1977 Bradley .
- D. 307,852 5/1990 Clark D7/620
- D. 319,951 9/1991 Frankel D7/620

- D. 328,223 7/1992 Clark D7/622
- D. 342,871 1/1994 Stern et al. D7/620
- D. 346,996 5/1994 Blackburn D7/620
- 2,471,030 5/1949 Foulke 211/75
- 2,706,516 4/1955 Nordmark 155/188
- 2,877,976 3/1959 Massari 248/313
- 3,224,644 12/1965 Davis 222/162
- 3,508,732 4/1970 Trachtenberg et al. 248/226
- 4,865,237 9/1989 Allen 224/22.45
- 5,040,709 8/1991 Neugent 224/35
- 5,213,298 5/1993 Johnson 248/313
- 5,232,137 8/1993 Devine 224/252
- 5,248,770 9/1993 Louthan 248/311.2
- 5,320,319 6/1994 Winger et al. 248/312.1

Primary Examiner—Terry A. Wallace
Attorney, Agent, or Firm—Westman, Champlin & Kelly, P.A.

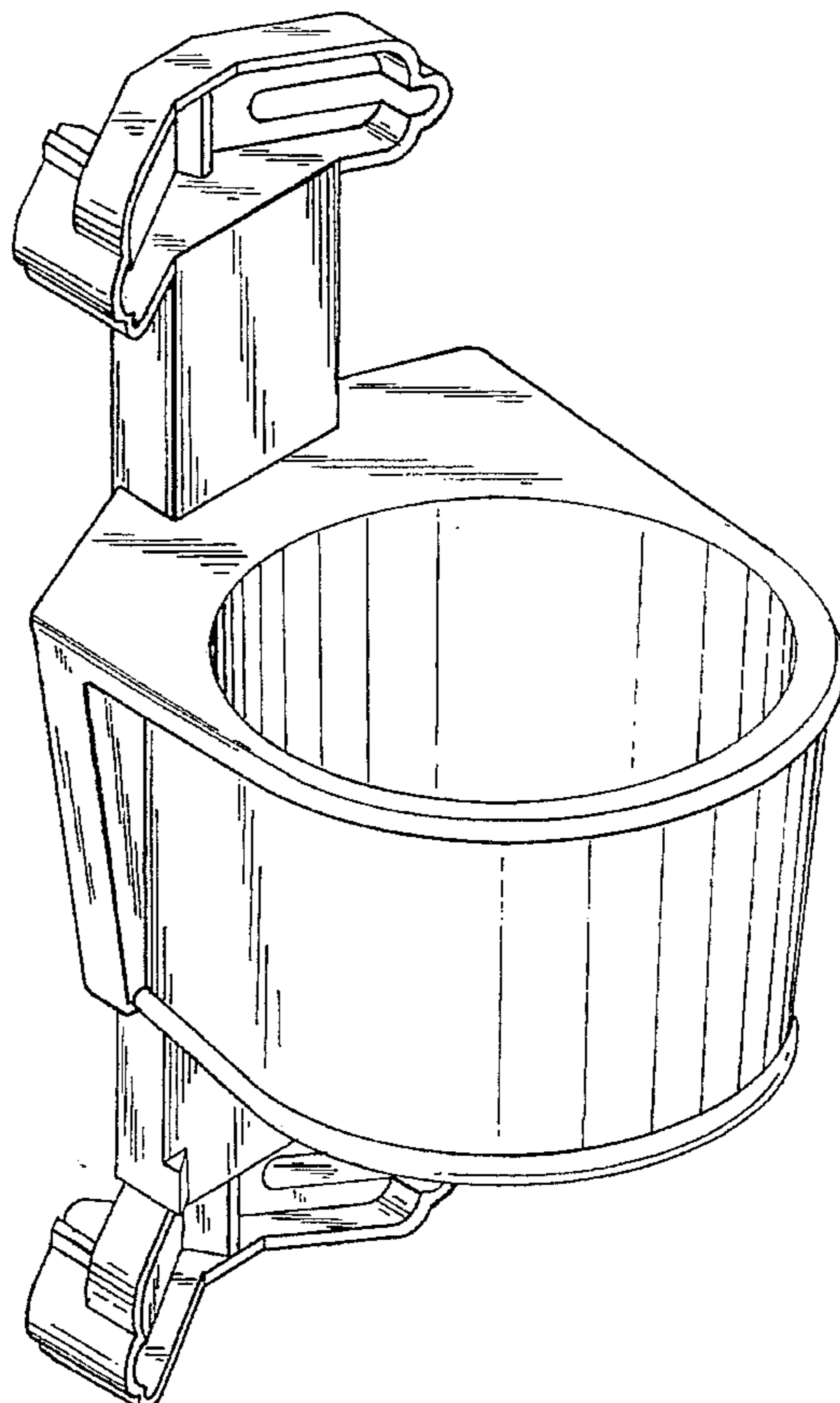
[57] CLAIM

The ornamental design for a cupholder and support for attachment to furniture, as shown and described.

DESCRIPTION

FIG. 1 is a perspective view of a cupholder and support for attachment to furniture showing our new design;
 FIG. 2 is a top plan view thereof;
 FIG. 3 is a front elevational view thereof;
 FIG. 4 is a side elevational view thereof, the side opposite being a mirror image;
 FIG. 5 is a rear elevational view thereof; and,
 FIG. 6 is a bottom plan view thereof.

1 Claim, 4 Drawing Sheets



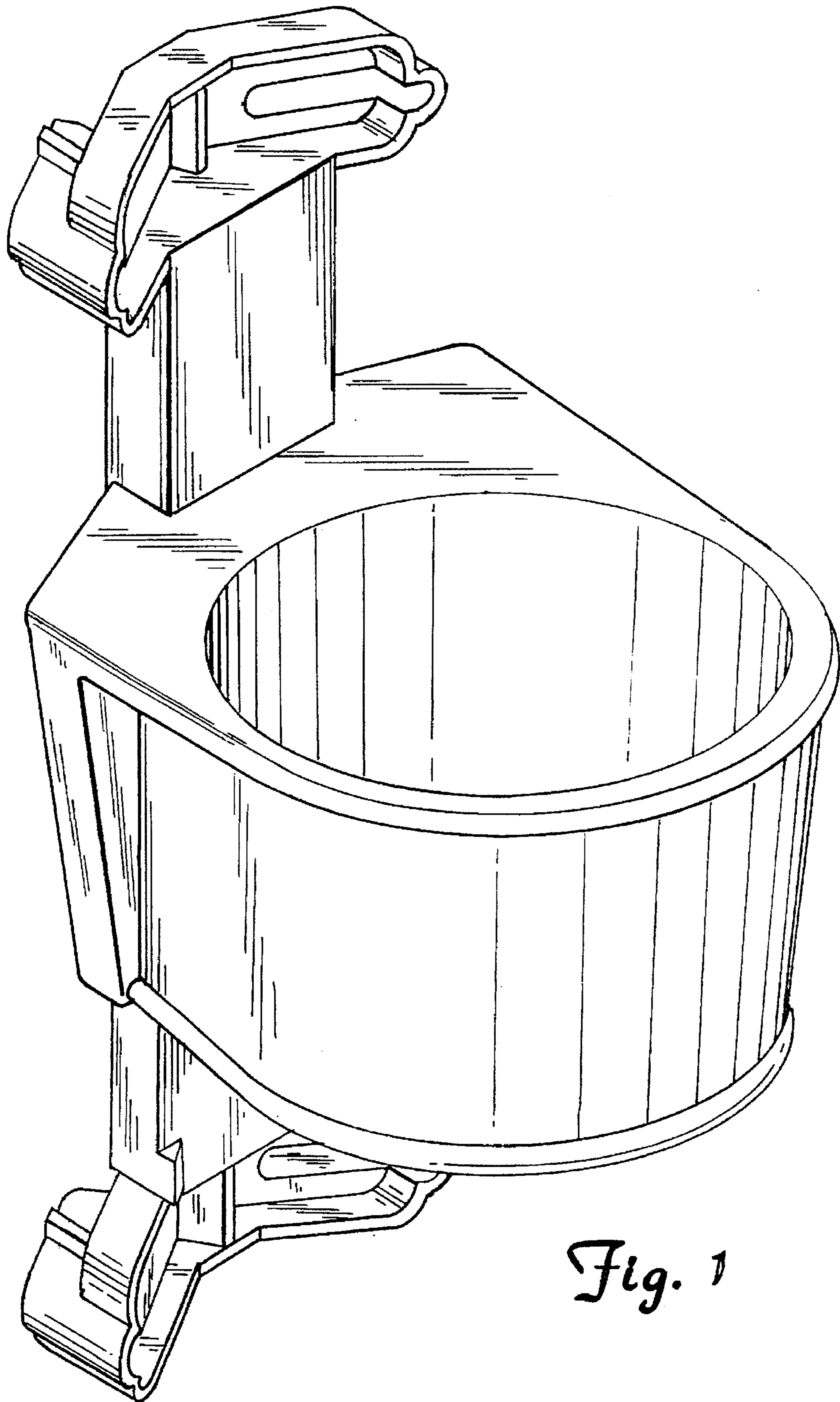


Fig. 1

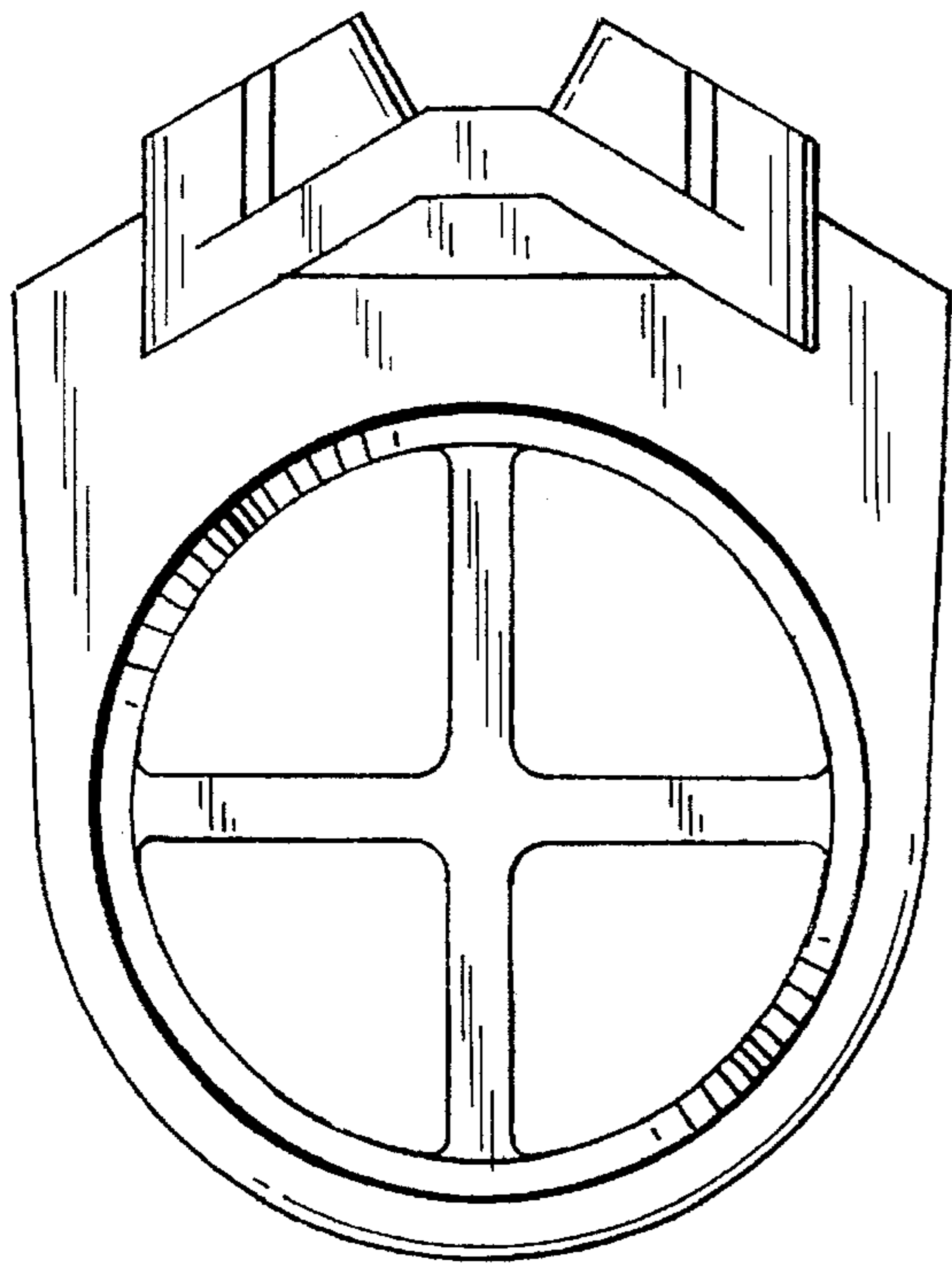


Fig 2

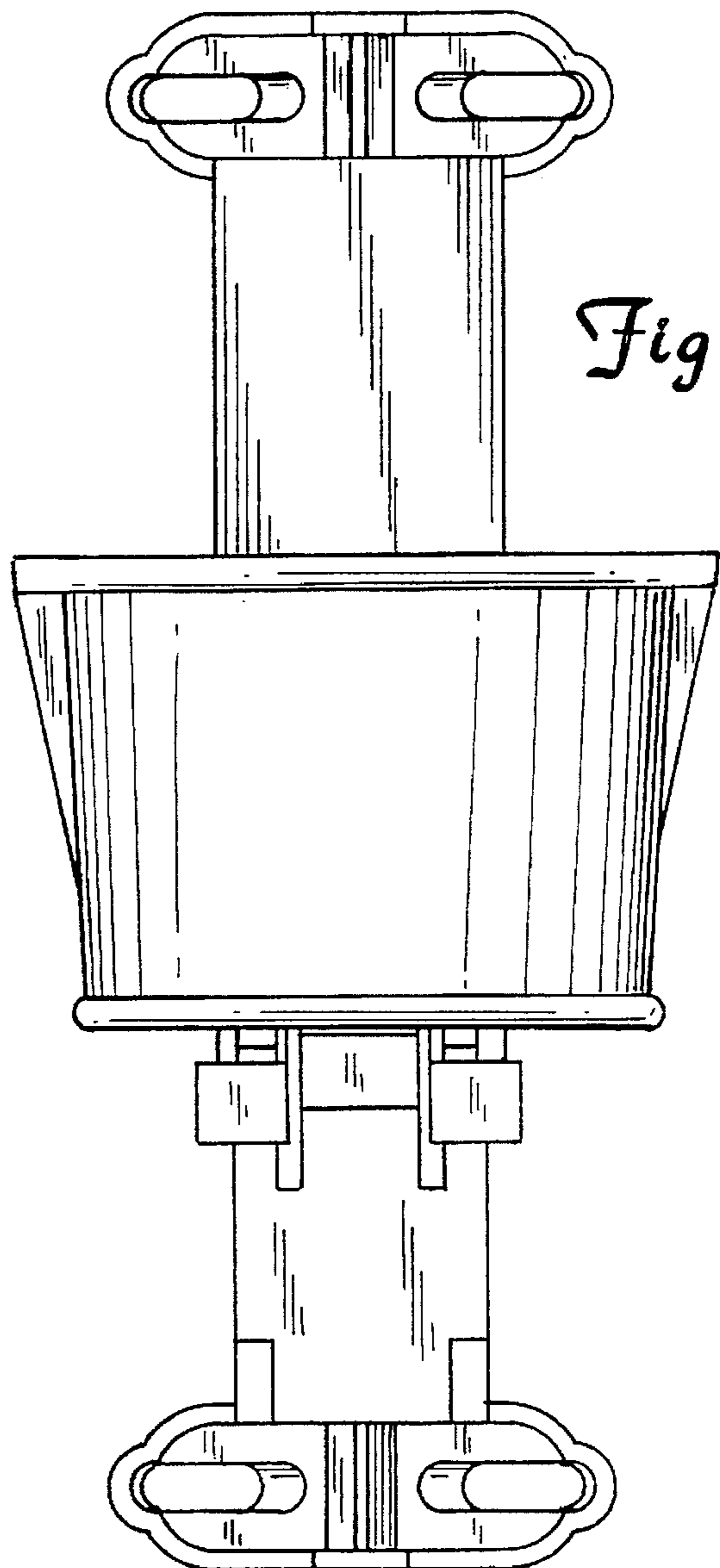


Fig 3

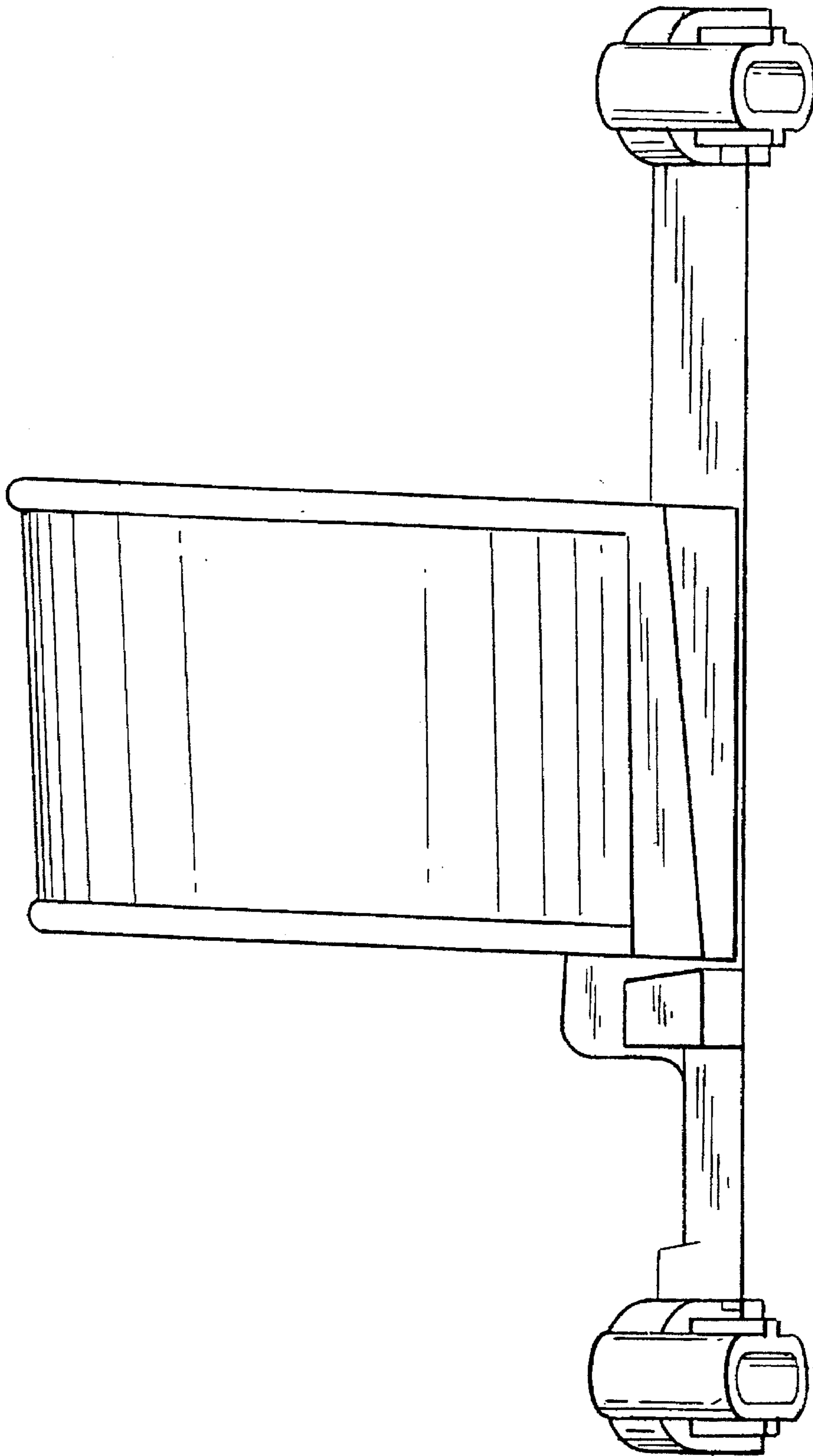


Fig. 4

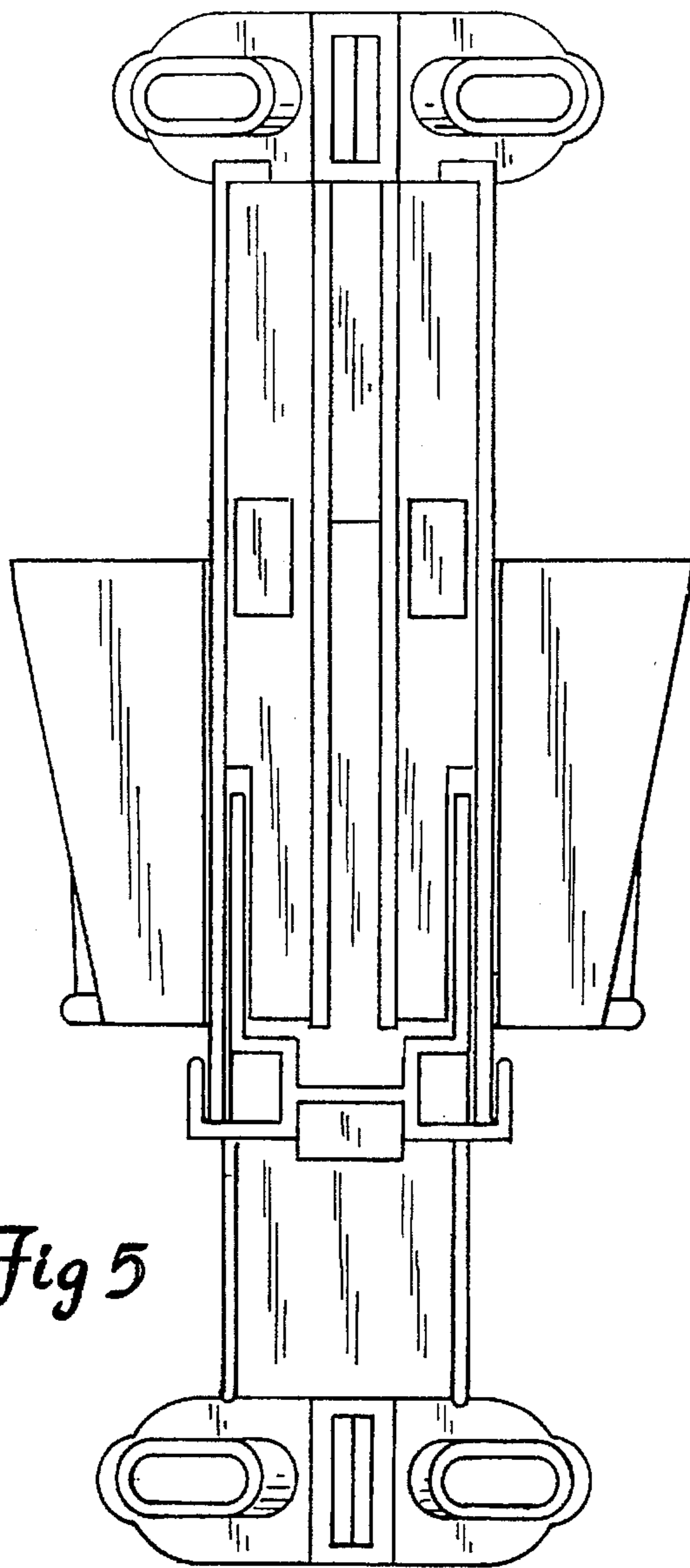


Fig 5

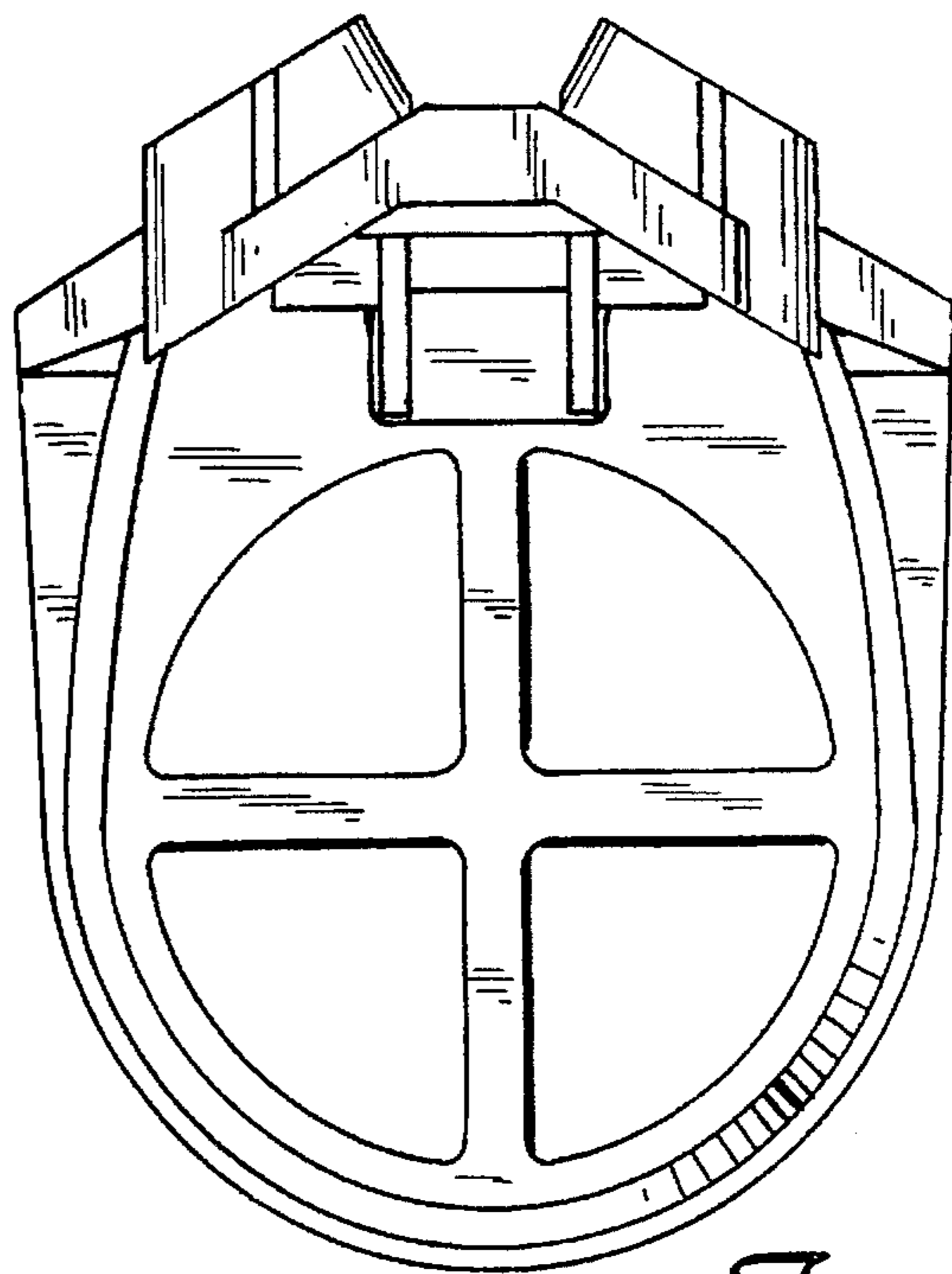


Fig 6