

US00D380645S

# United States Patent [19] Perlini

[11] Patent Number: **Des. 380,645**

[45] Date of Patent: **\*\*Jul. 8, 1997**

[54] **GRIDDLE**

[76] Inventor: **Nazareno Perlini**, 1130 S. Hwy. 17-92,  
Longwood, Fla. 32750

[\*\*] Term: **14 Years**

[21] Appl. No.: **46,114**

[22] Filed: **Nov. 7, 1995**

[51] **LOC (6) Cl.** ..... **07-02**

[52] **U.S. Cl.** ..... **D7/359**

[58] **Field of Search** ..... **D7/359, 363, 361;**  
**99/394, 400, 450, 445, 444, 339, 422; 126/218**

[56] **References Cited**

**U.S. PATENT DOCUMENTS**

D. 197,663	3/1964	O'Reilly	.....	D7/359
D. 227,028	5/1973	Behm	.....	D7/359
389,602	9/1888	Sankey	.....	99/445
3,713,380	1/1973	Bardin	.....	99/425 X

**FOREIGN PATENT DOCUMENTS**

0321814	7/1975	Switzerland	.....	99/425
---------	--------	-------------	-------	--------

**OTHER PUBLICATIONS**

Gifts and Decorative Accessories, p. 100 top right.

*Primary Examiner*—Louis S. Zarfes

*Assistant Examiner*—Frank Martinez

*Attorney, Agent, or Firm*—Schweitzer Cornman & Gross

[57] **CLAIM**

The ornamental design for a griddle, as shown and described.

**DESCRIPTION**

FIG. 1 is a perspective view of the griddle of the invention;

FIG. 2 is a plan view thereof;

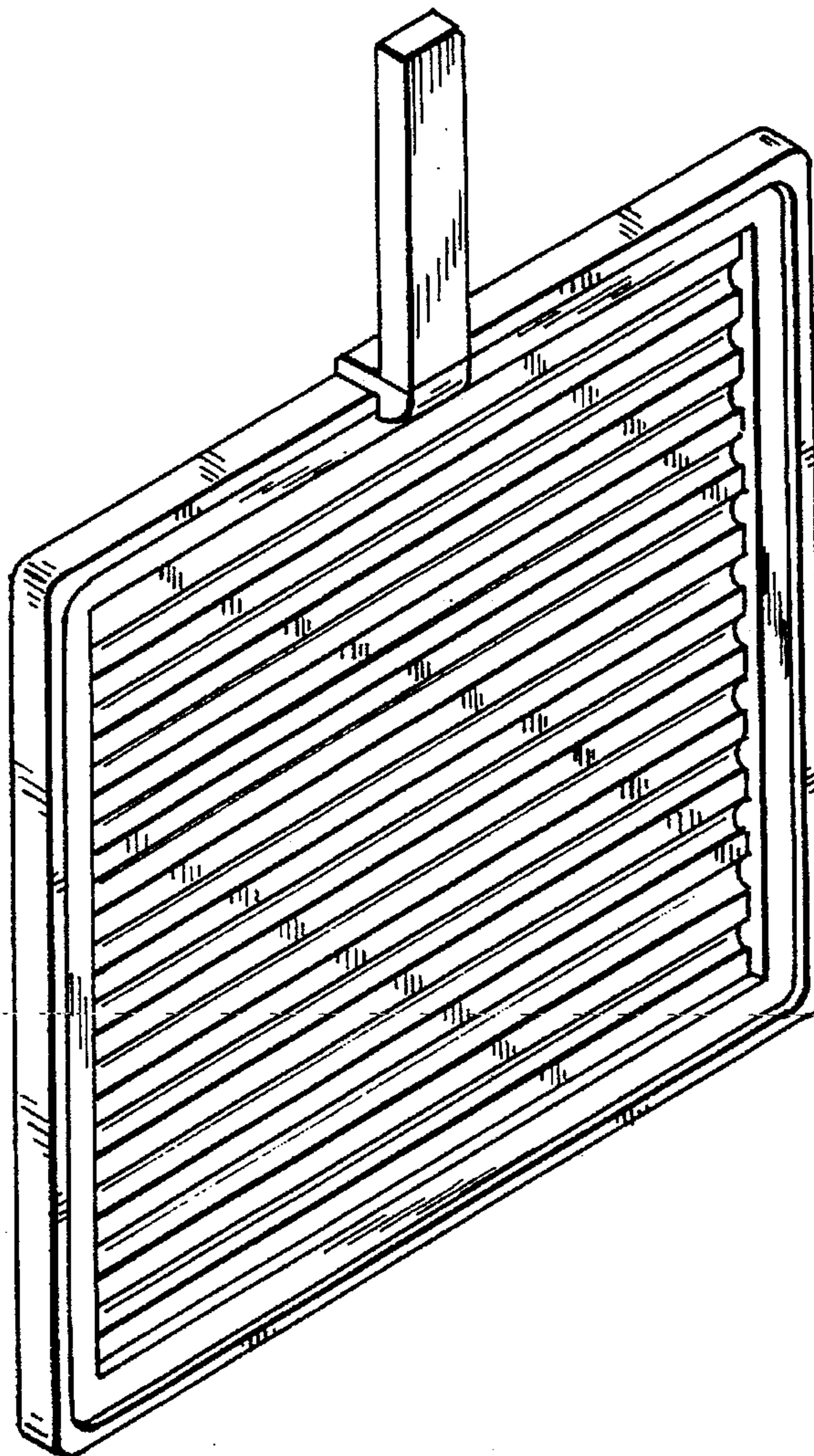
FIG. 3 is a bottom view;

FIG. 4 is a side elevational view (the opposite side being a mirror image thereof);

FIG. 5 is a front elevational view; and,

FIG. 6 is a rear elevational view.

**1 Claim, 3 Drawing Sheets**



# FIG. 1

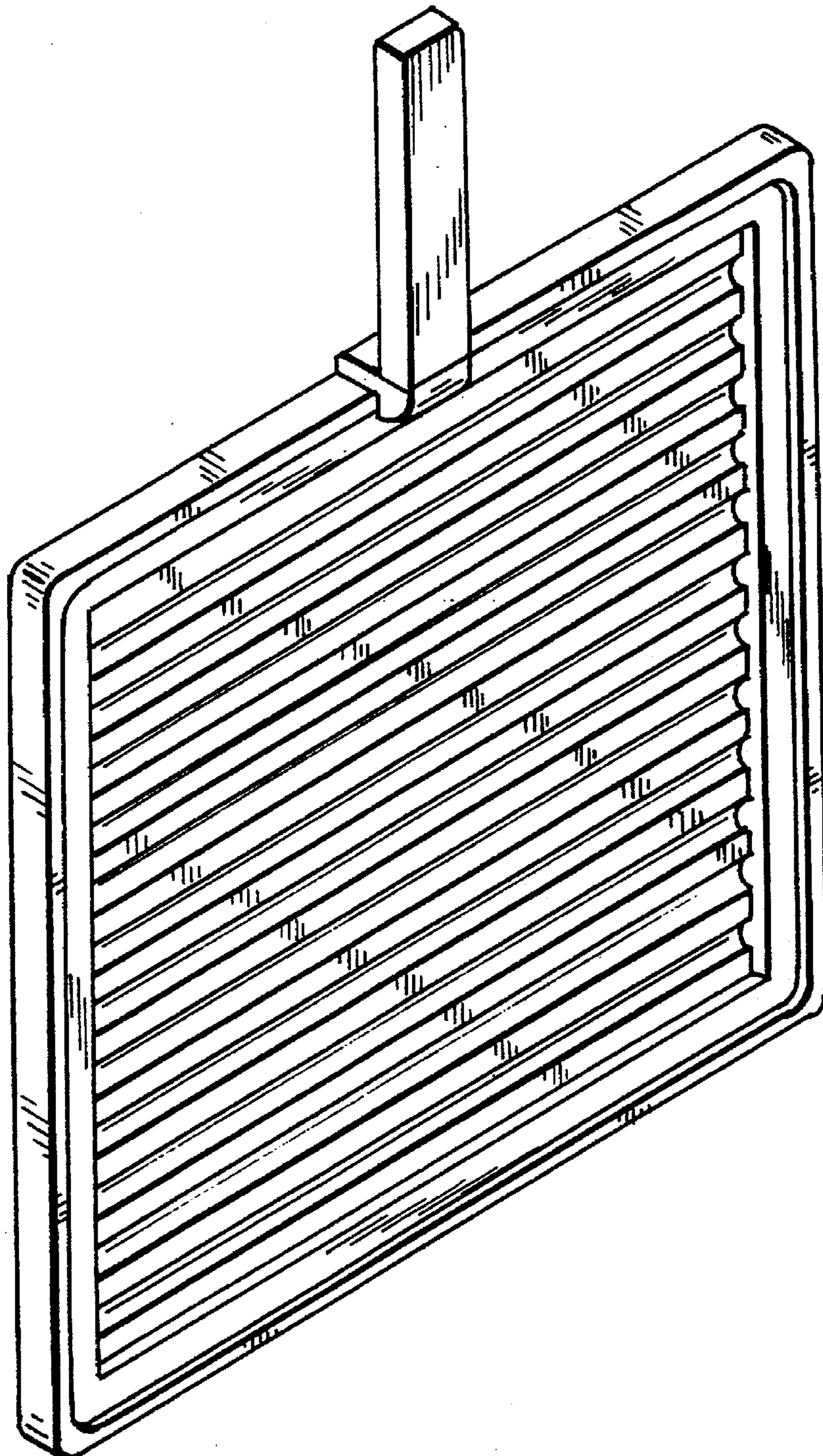


FIG. 4

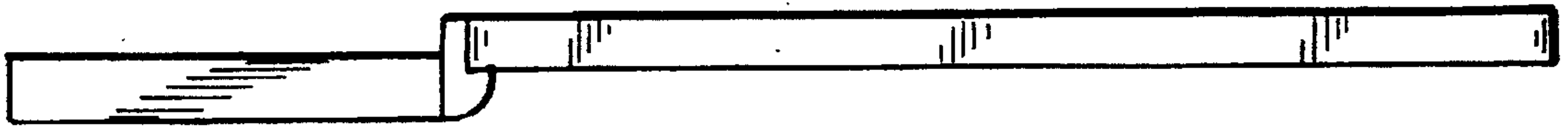
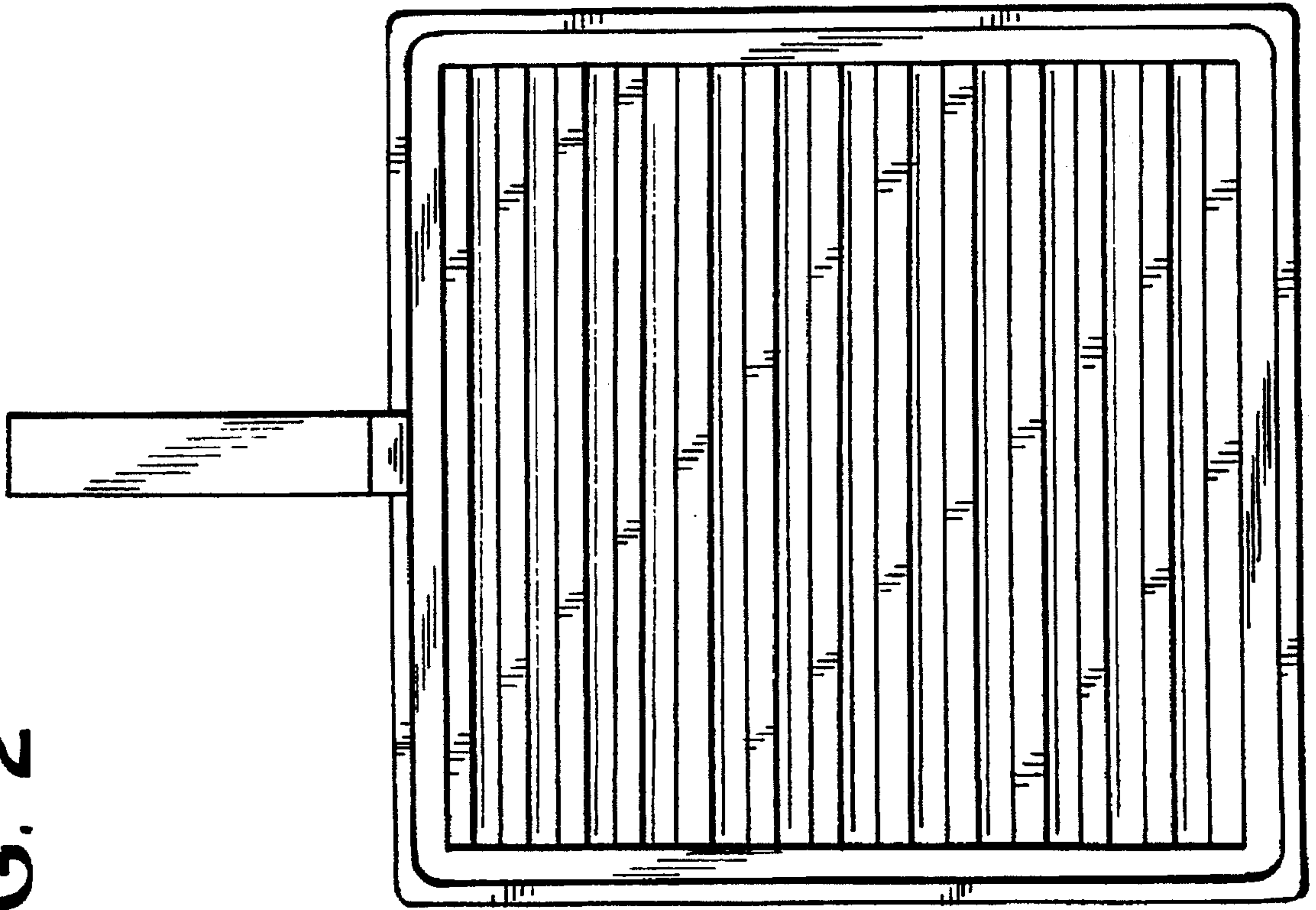
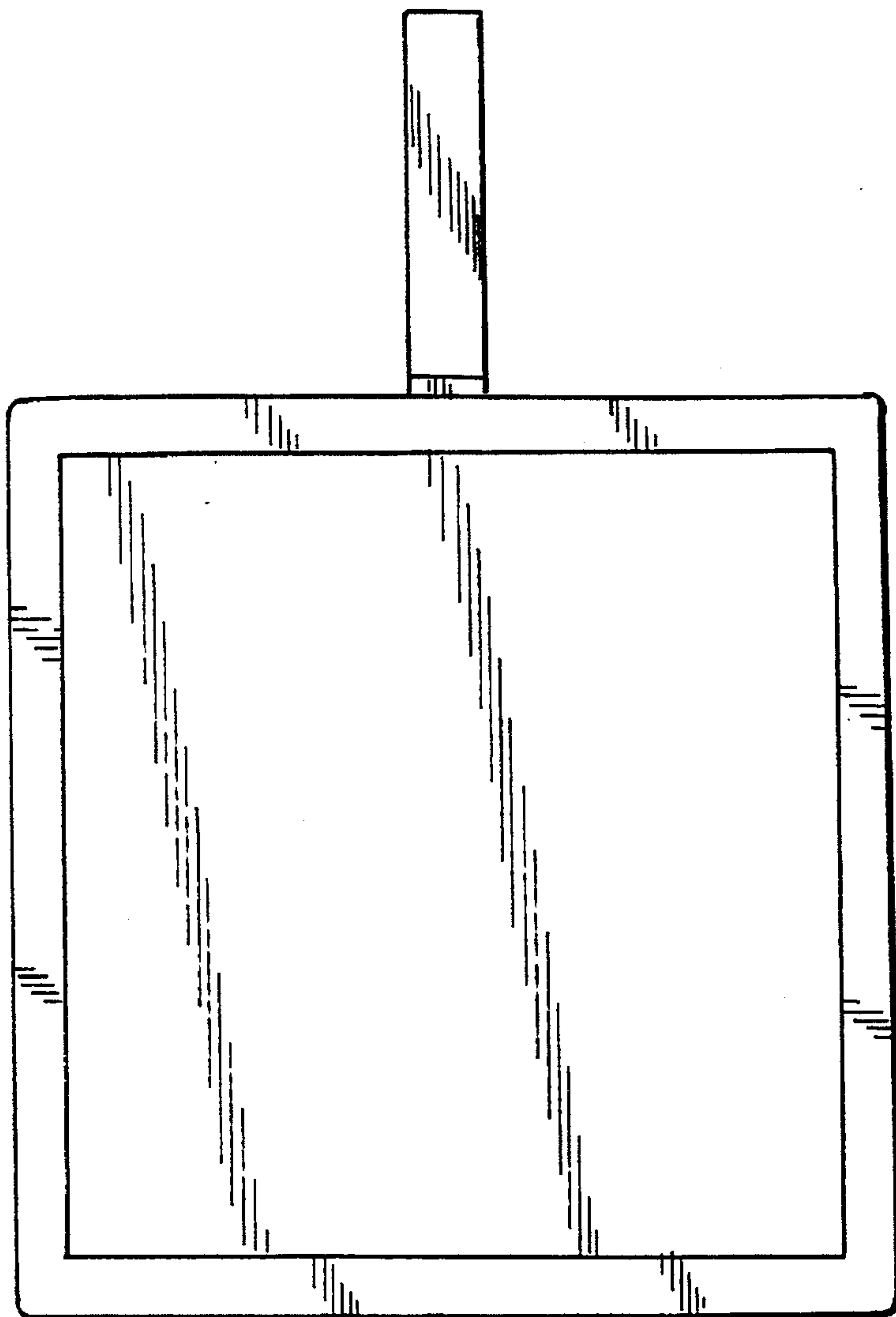


FIG. 2





**FIG. 3**



**FIG. 5**



**FIG. 6**

