



US00D380641S

United States Patent [19] Randle

[11] Patent Number: **Des. 380,641**
[45] Date of Patent: ****Jul. 8, 1997**

[54] **BEVERAGE DISPENSER**
[76] Inventor: **Johnny Randle**, 11330 Amanda La.,
Dallas, Tex. 75238
[**] Term: **14 Years**
[21] Appl. No.: **52,538**
[22] Filed: **Apr. 3, 1996**
[51] LOC (6) Cl. **07-01**
[52] U.S. Cl. **D7/313; D7/306**
[58] Field of Search D7/311, 300, 313,
D7/312, 306, 398, 397, 301; 222/185; 210/474

4,145,291 3/1979 Console et al. 210/474 X
4,181,243 1/1980 Fram D7/398 X
4,993,229 2/1991 Baus et al. D7/313 X

Primary Examiner—M. N. Pandozzi
Attorney, Agent, or Firm—Goldstein & Associates

[57] CLAIM

The ornamental design for a beverage container, as shown and described.

DESCRIPTION

FIG. 1 is a top front right perspective view of a beverage dispenser showing my new design;
FIG. 2 is a front elevational view thereof;
FIG. 3 is a rear elevational view thereof;
FIG. 4 is a right side elevational view thereof;
FIG. 5 is a left side elevational view thereof;
FIG. 6 is a top plan view thereof; and,
FIG. 7 is a bottom plan view thereof.
The broken line showing of a liquid beverage and a cup in FIG. 1 is for illustrative purposes only and forms no part of the claimed design.

[56] References Cited

U.S. PATENT DOCUMENTS

D. 75,151 5/1928 Cordley D7/313
D. 81,420 6/1930 Steenstrup D7/306
D. 164,498 9/1951 Hull D7/311
D. 169,793 6/1953 Sieling D7/313
D. 174,237 3/1955 Sieling D7/301
D. 240,624 7/1976 MacMurray D7/313 X
2,657,554 11/1953 Hull D7/311 X
2,811,272 10/1957 Lawlor D7/397 X

1 Claim, 2 Drawing Sheets

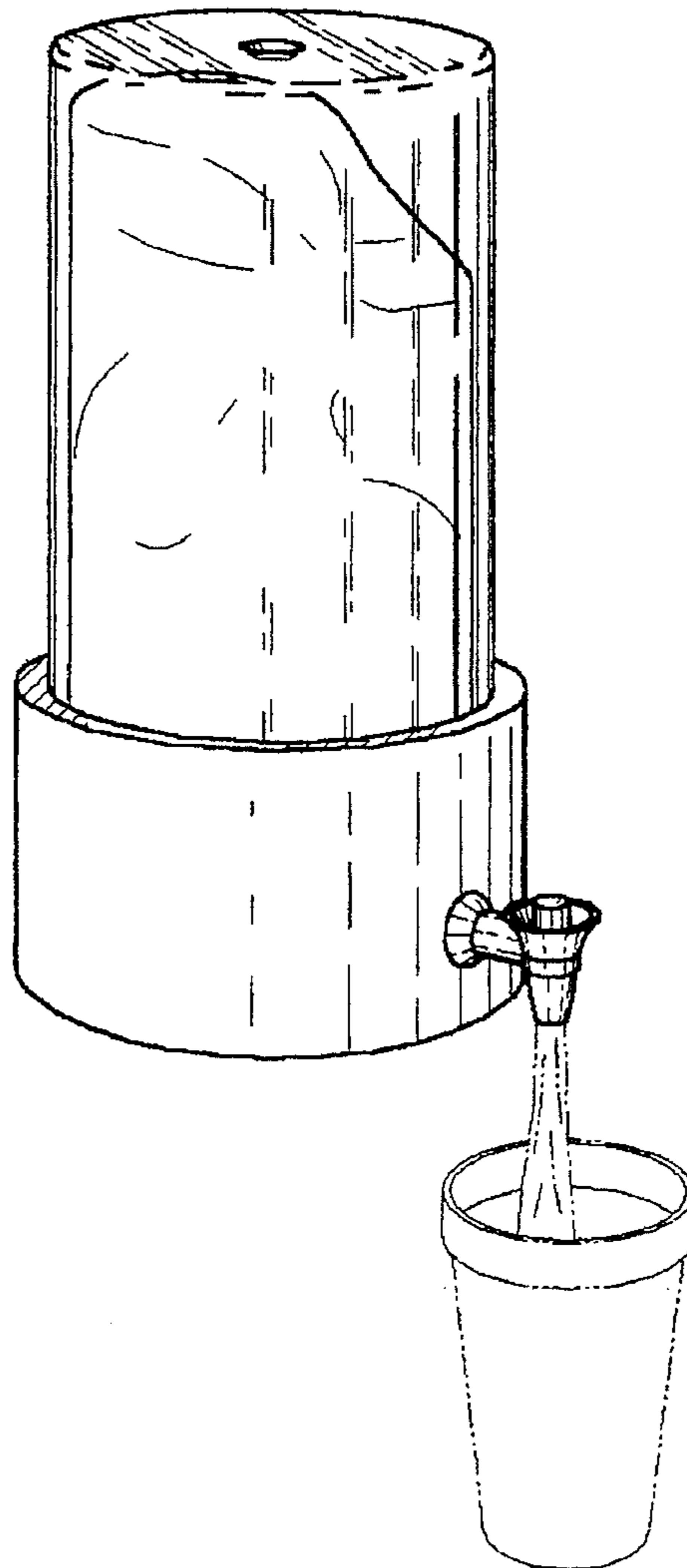


Fig. 1

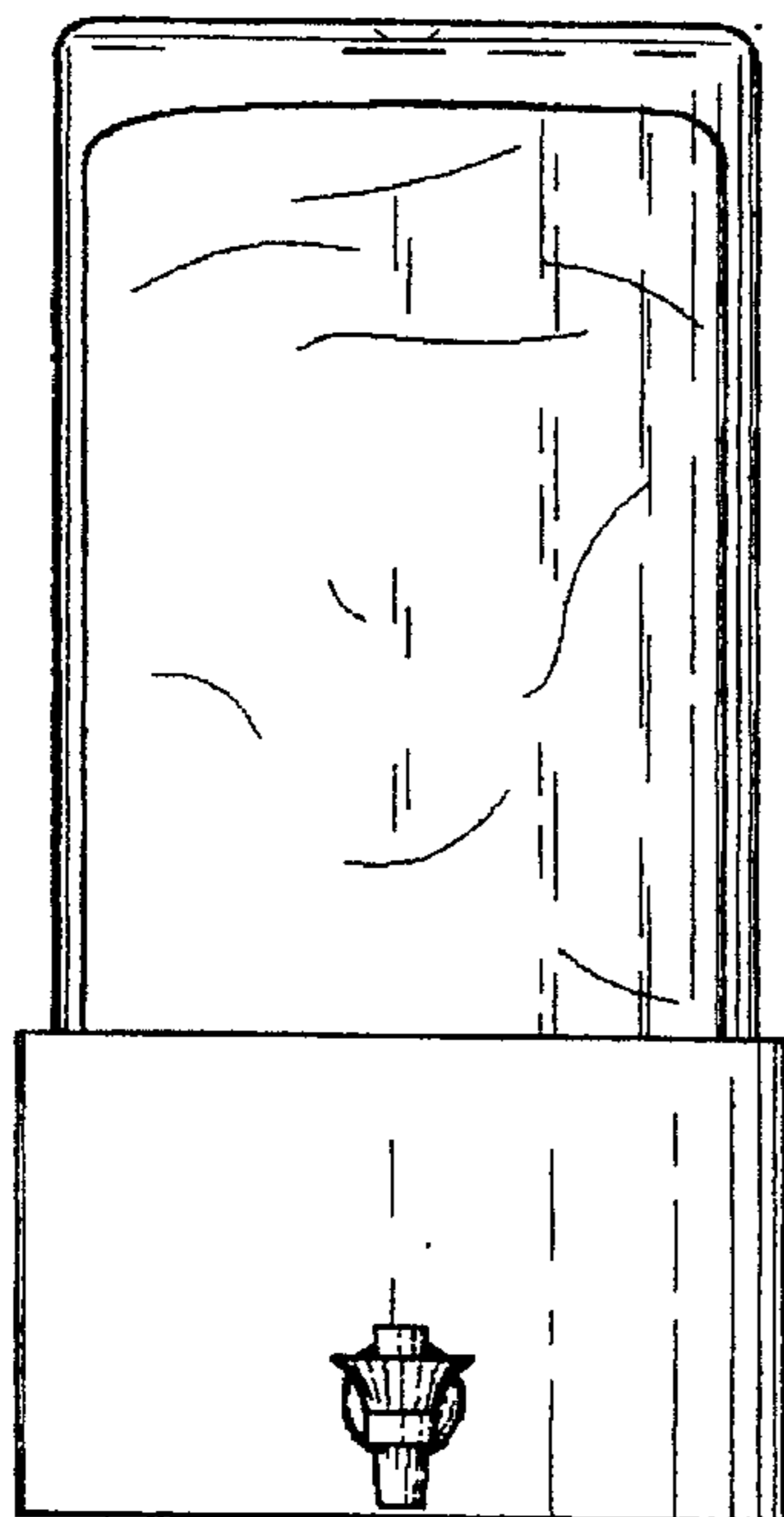
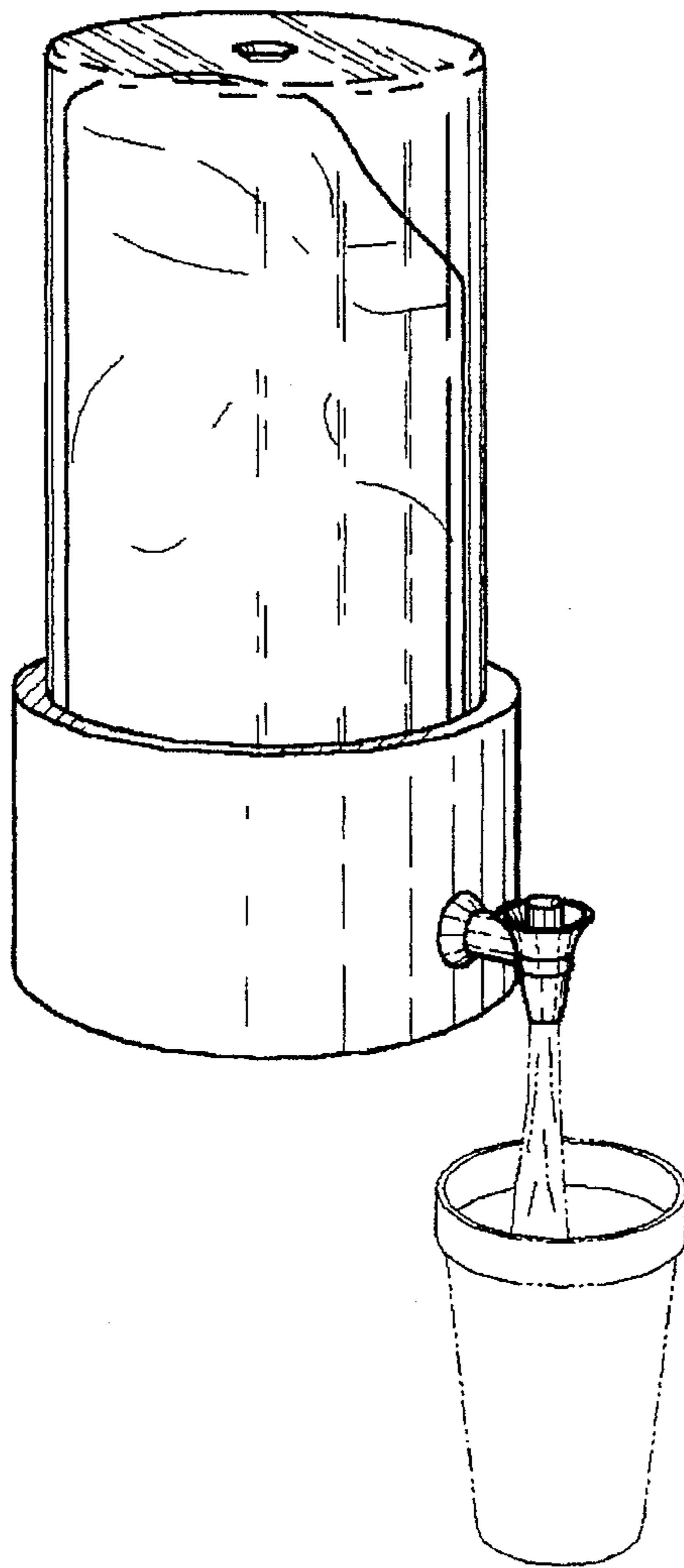


Fig. 2

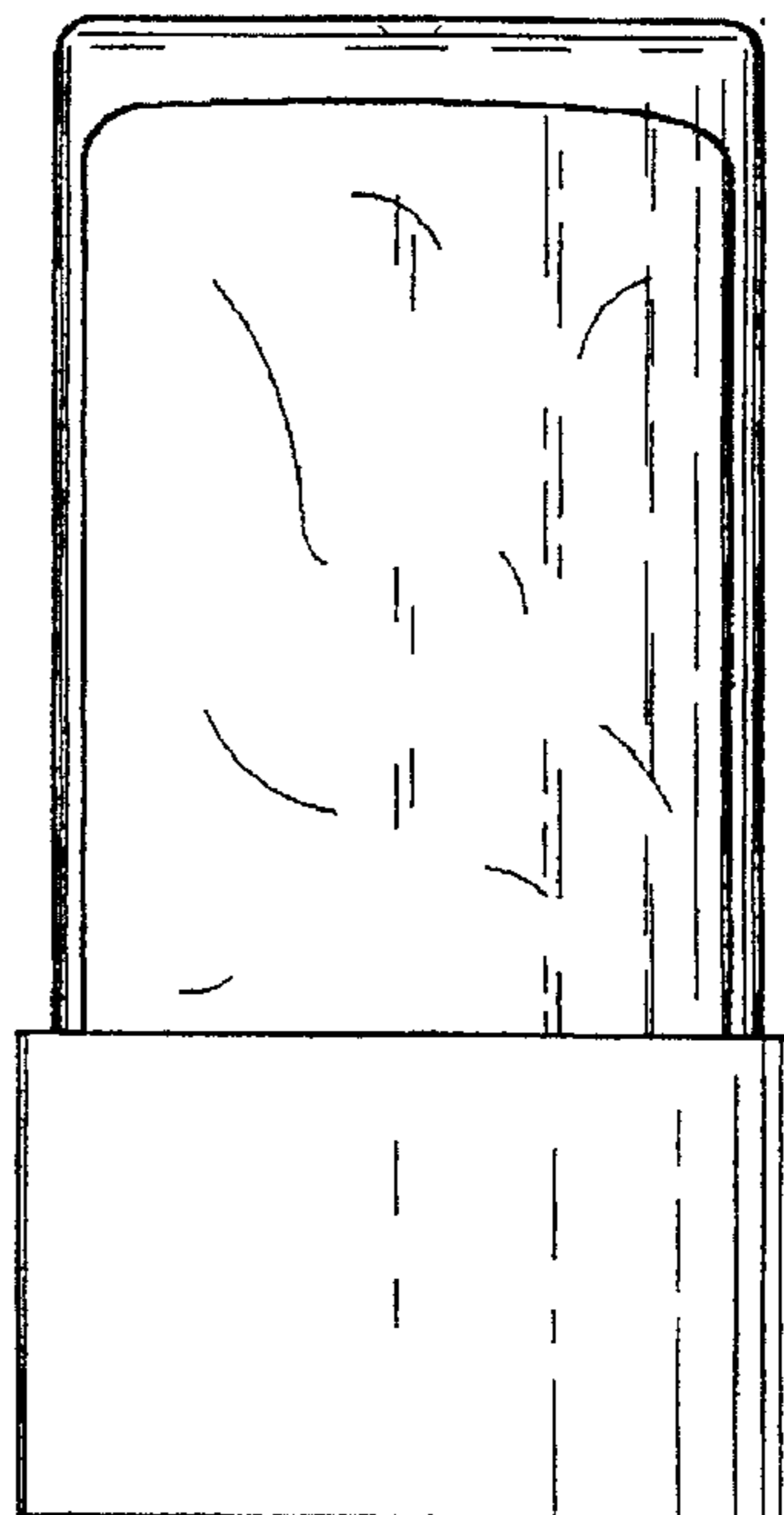


Fig. 3

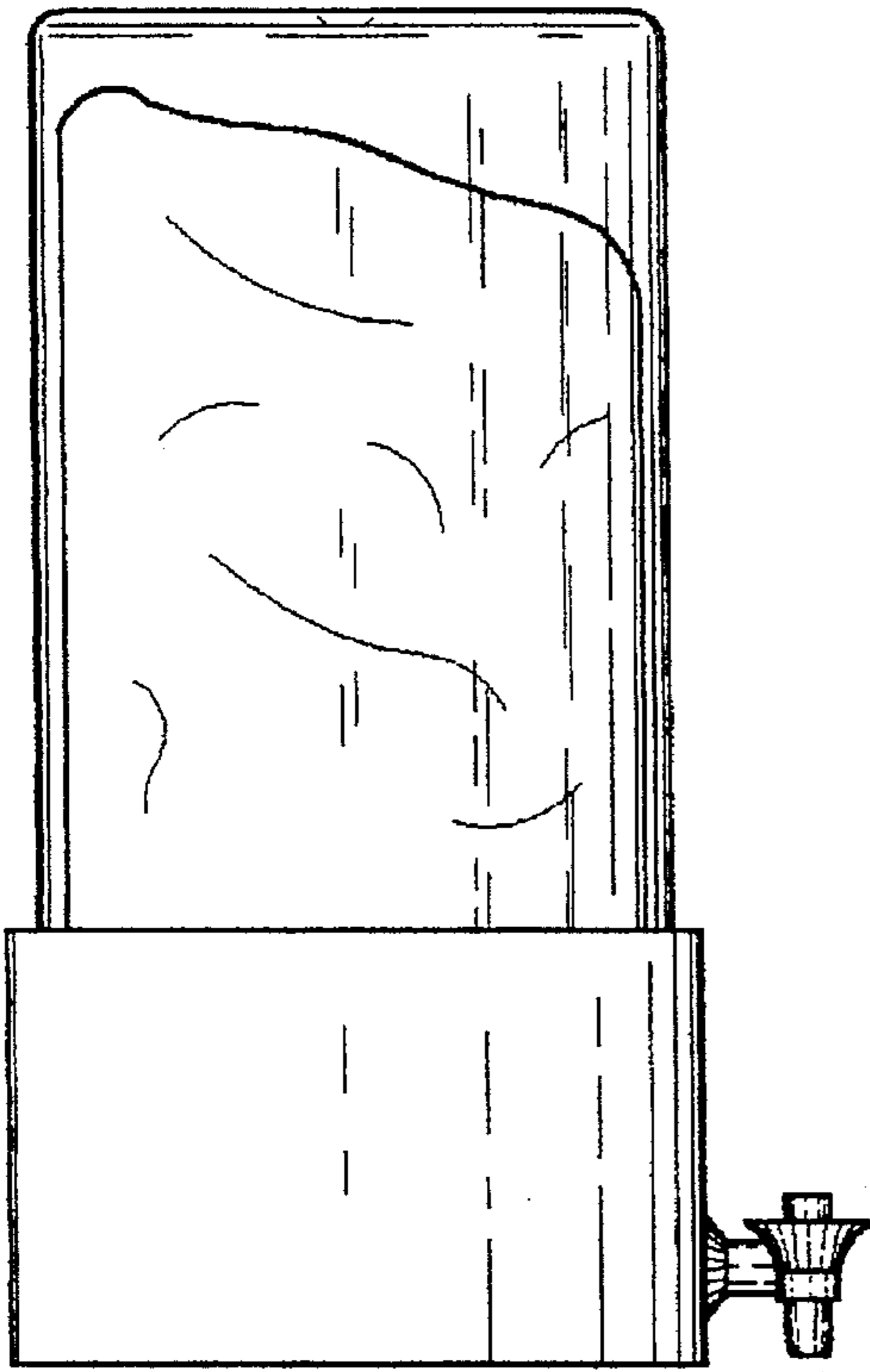


Fig. 4

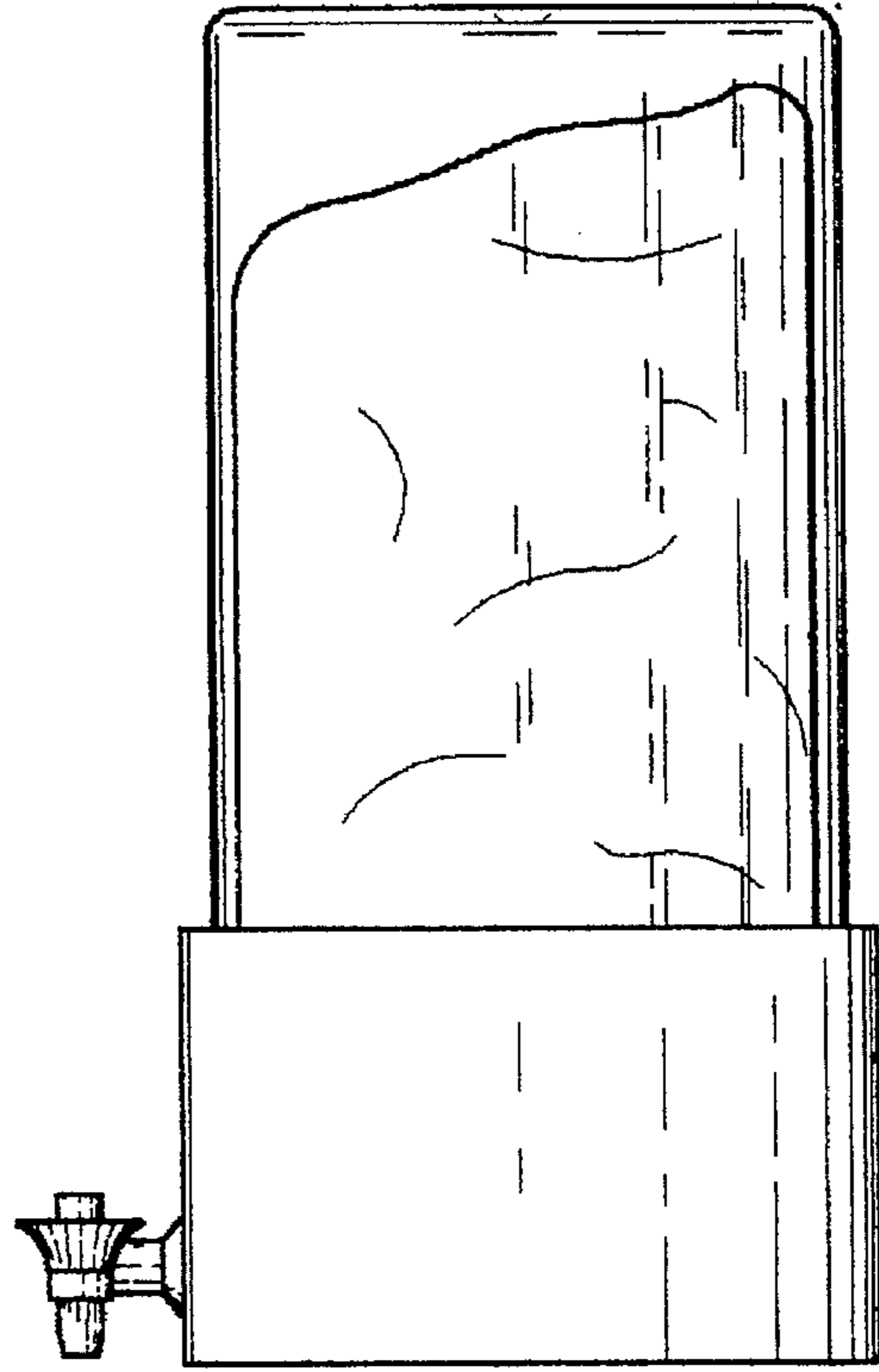


Fig. 5

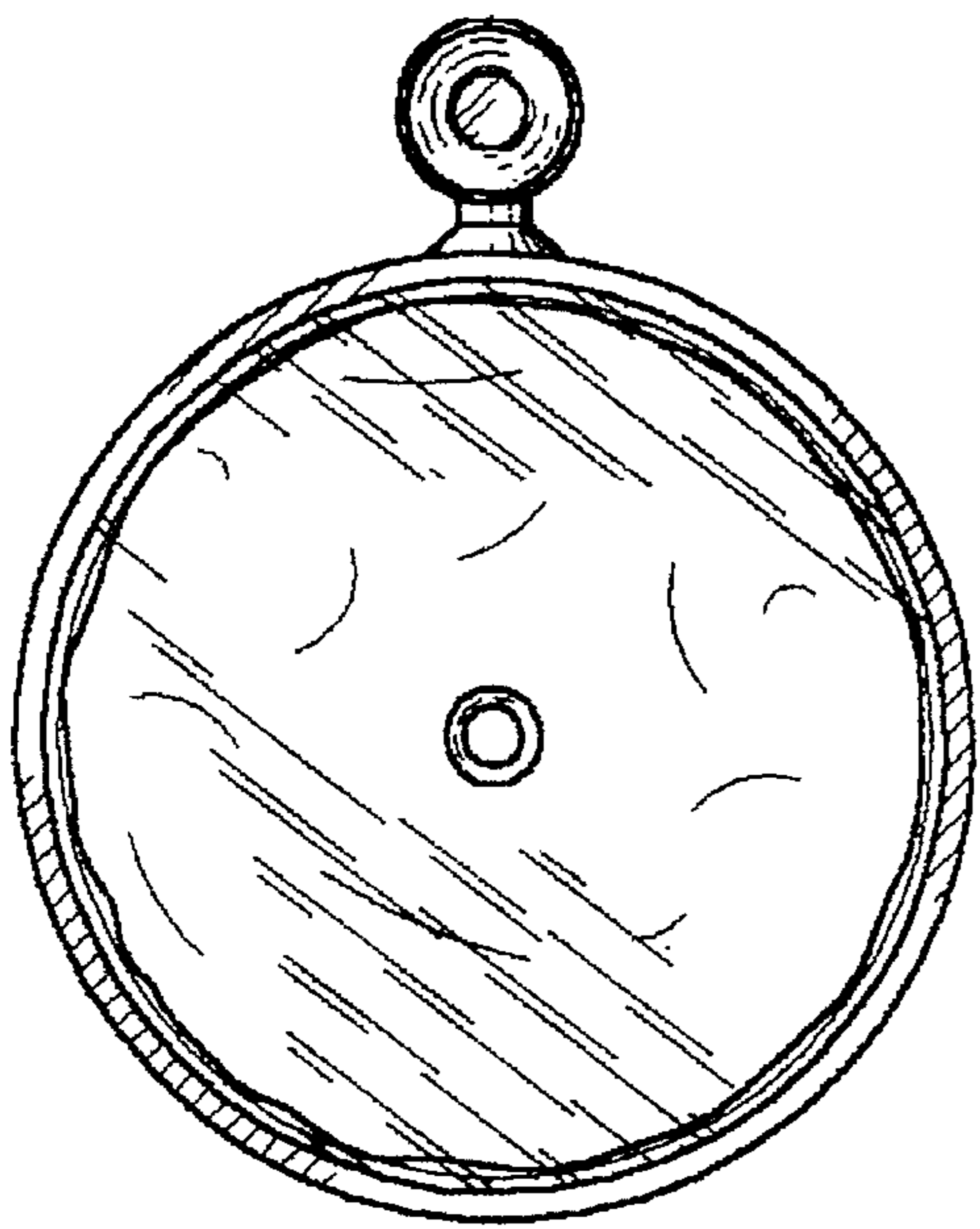


Fig. 6

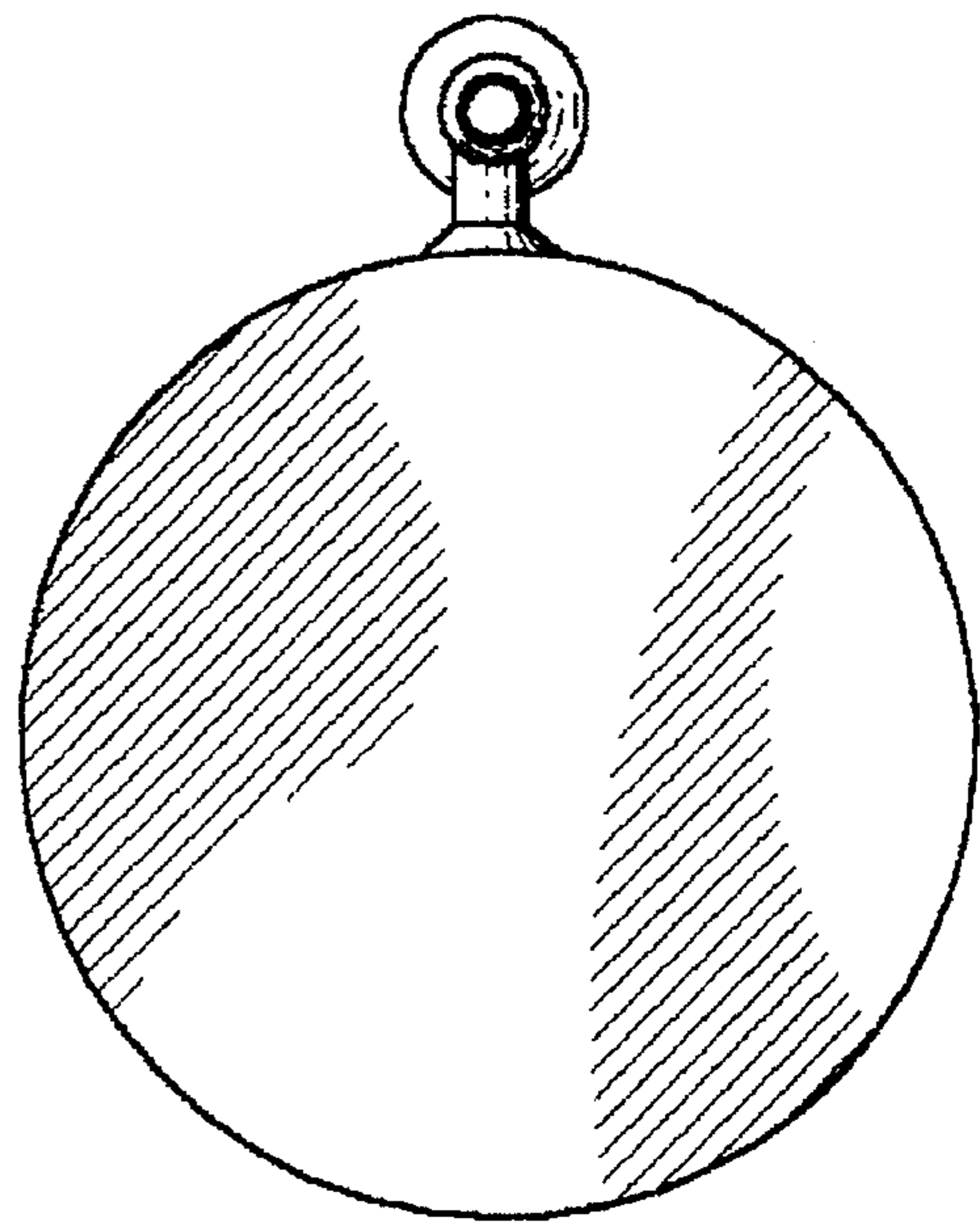


Fig. 7