



US00D380640S

United States Patent [19]
Mackay

[11] **Patent Number: Des. 380,640**

[45] **Date of Patent: **Jul. 8, 1997**

[54] **TEA BREWING DEVICE**

Drip Coffeemaker, Home Furnishings Daily Jul. 1975 p. 24.

[75] **Inventor: Spencer L. Mackay**, Agoura Hills, Calif.

Primary Examiner—M. N. Pandozzi
Attorney, Agent, or Firm—Calfee Halter & Griswold

[73] **Assignee: Healthometer, Inc.**, Bedford Heights, Ohio

[57] **CLAIM**

[**] **Term: 14 Years**

The ornamental design for a tea brewing device, as shown and described.

[21] **Appl. No.: 38,112**

[22] **Filed: Apr. 28, 1995**

DESCRIPTION

[51] **LOC (6) Cl. 07-01**

[52] **U.S. Cl. D7/310; D7/311**

[58] **Field of Search D7/300, 305, 306, D7/307, 308, 309, 310, 311, 387; 222/129.1-129.4**

FIG. 1 is a front elevational view of the brewing device of the present invention;

FIG. 2 is a left side elevational view thereof; and,

FIG. 3 is a right side elevational view thereof;

FIG. 4 is a rear elevational view of the brewing device of the present invention; and,

FIG. 5 is a top view of the brewing device of the present invention.

The broken line showing of a teapot in FIGS. 1-6 is for illustrative purposes and forms no part of the claimed design.

[56] **References Cited**

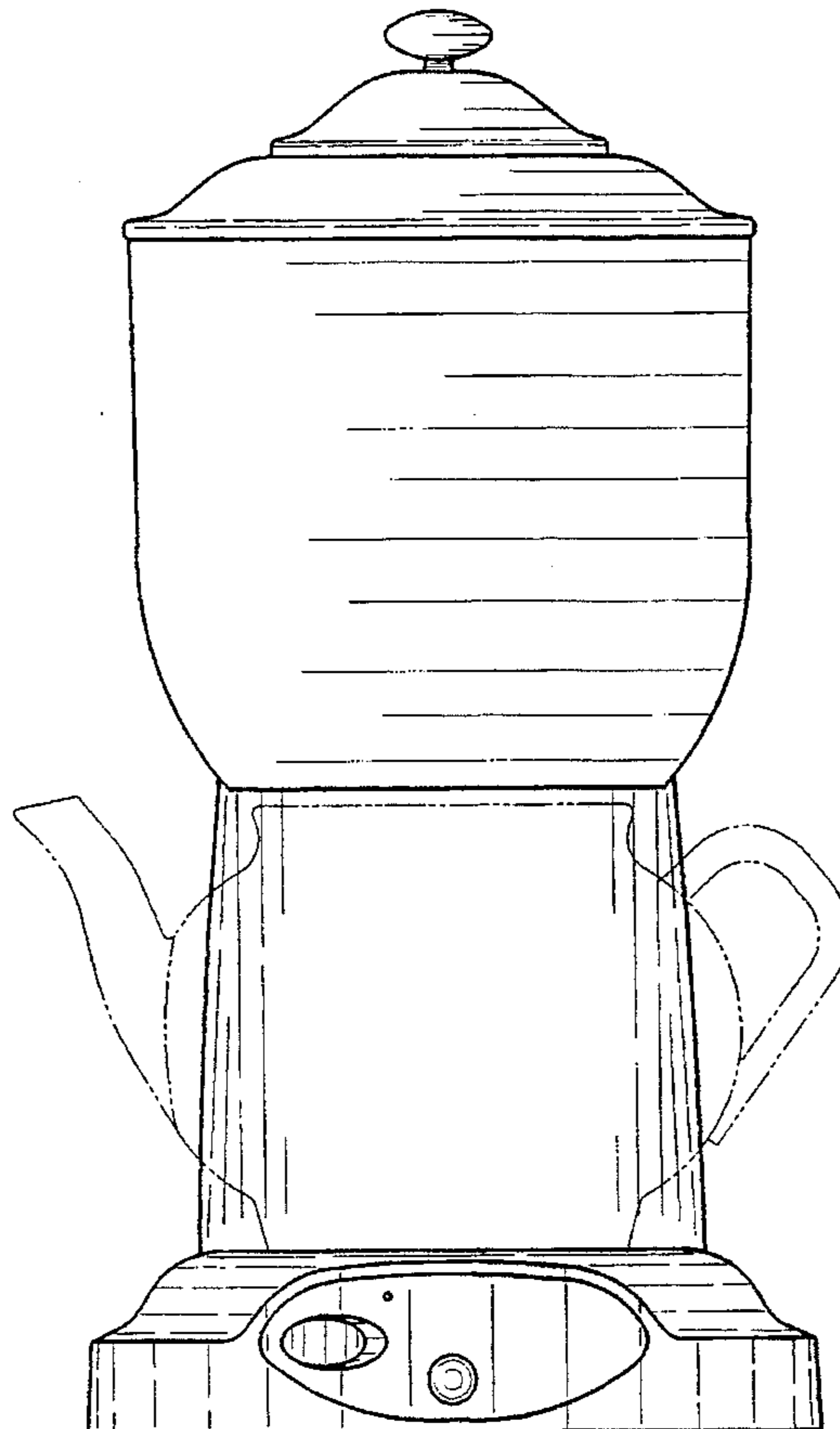
U.S. PATENT DOCUMENTS

D. 113,512	2/1939	Iannelli	D7/310
D. 140,444	2/1945	Kaiser, Jr.	D7/309 X
D. 157,588	3/1950	Gunther	D7/311 X
D. 286,848	11/1986	Levin	D7/309
3,759,161	9/1973	Anderson	D7/310 X

OTHER PUBLICATIONS

Pot "B" By Farberware, New York Times Dec. 18, 1949.
Coffeemaker, Home Furnishings Daily, May 1971 p. 13.
Karlsbad Kaffee Machine, Gifts And Decorative Accessories Oct. 1971 p. 55.

1 Claim, 5 Drawing Sheets



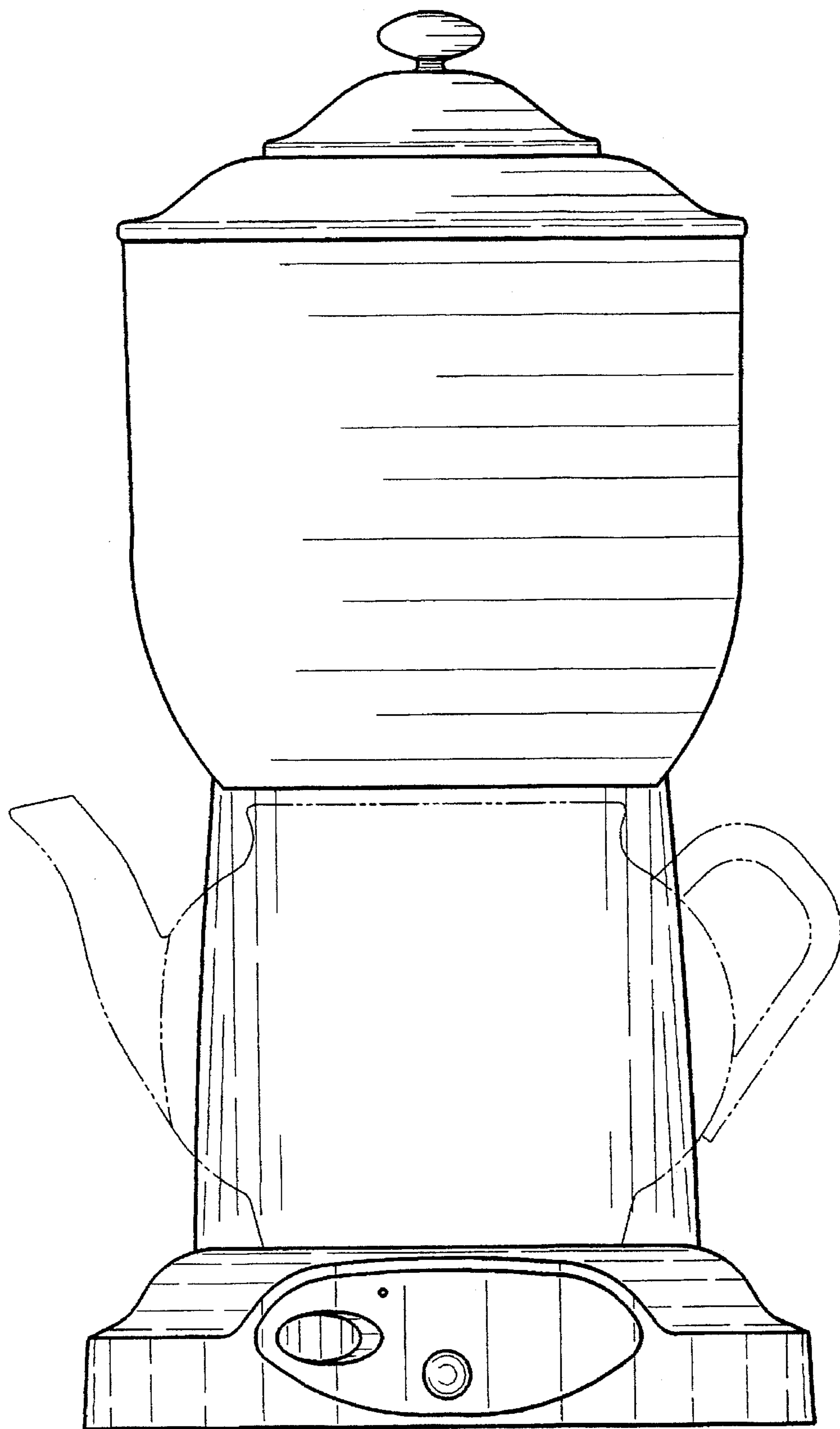


FIG. 1

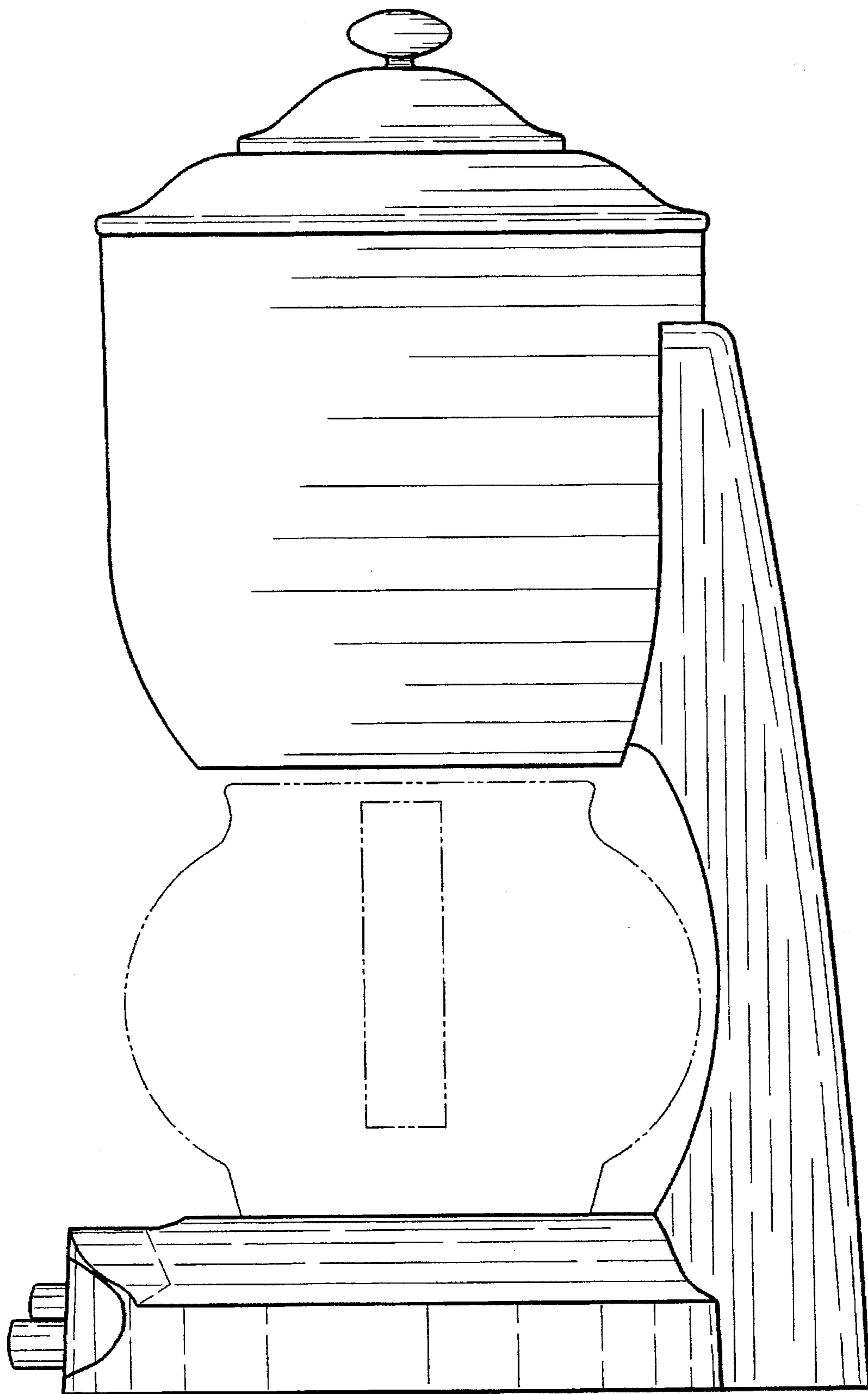


FIG. 2

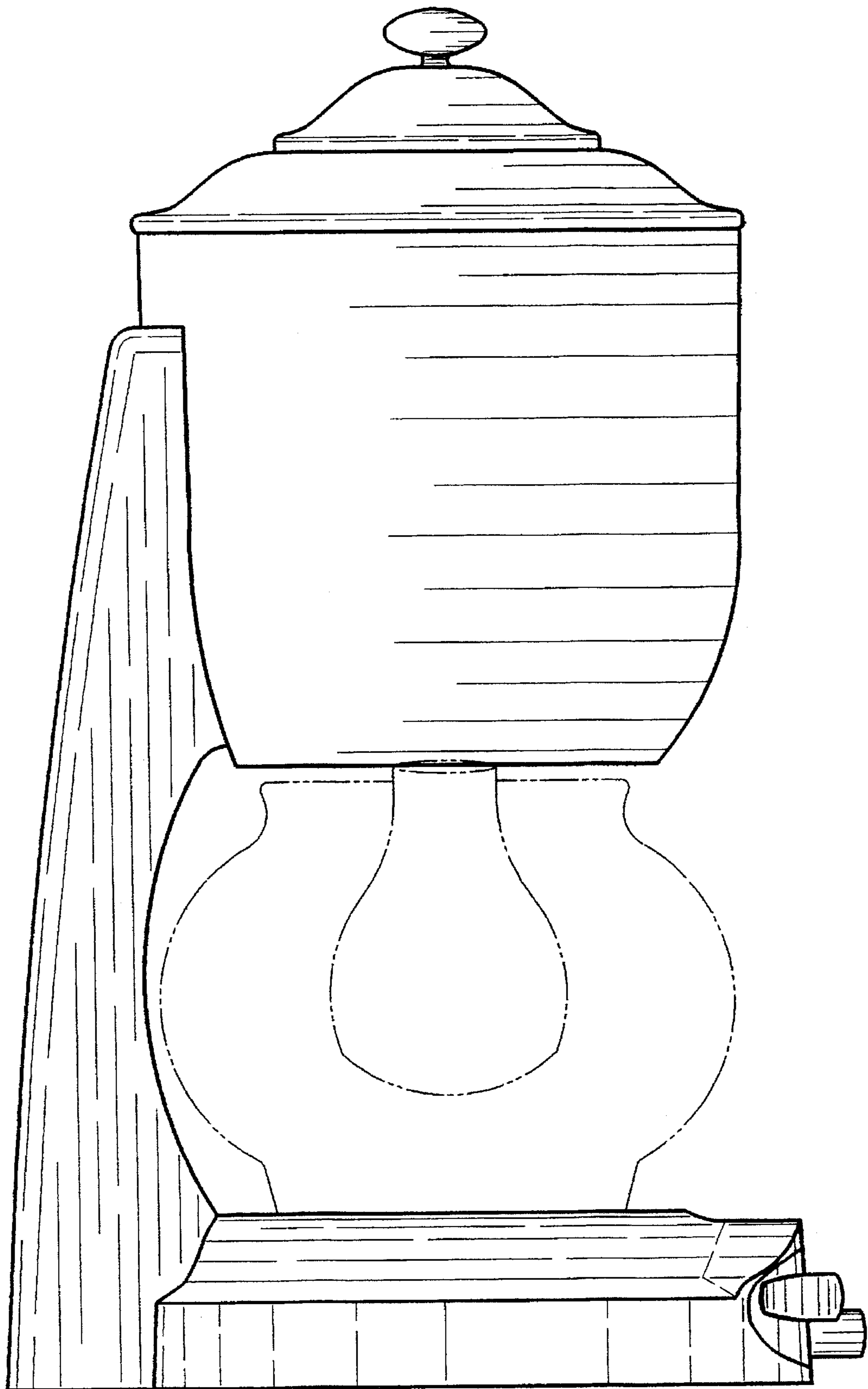


FIG. 3

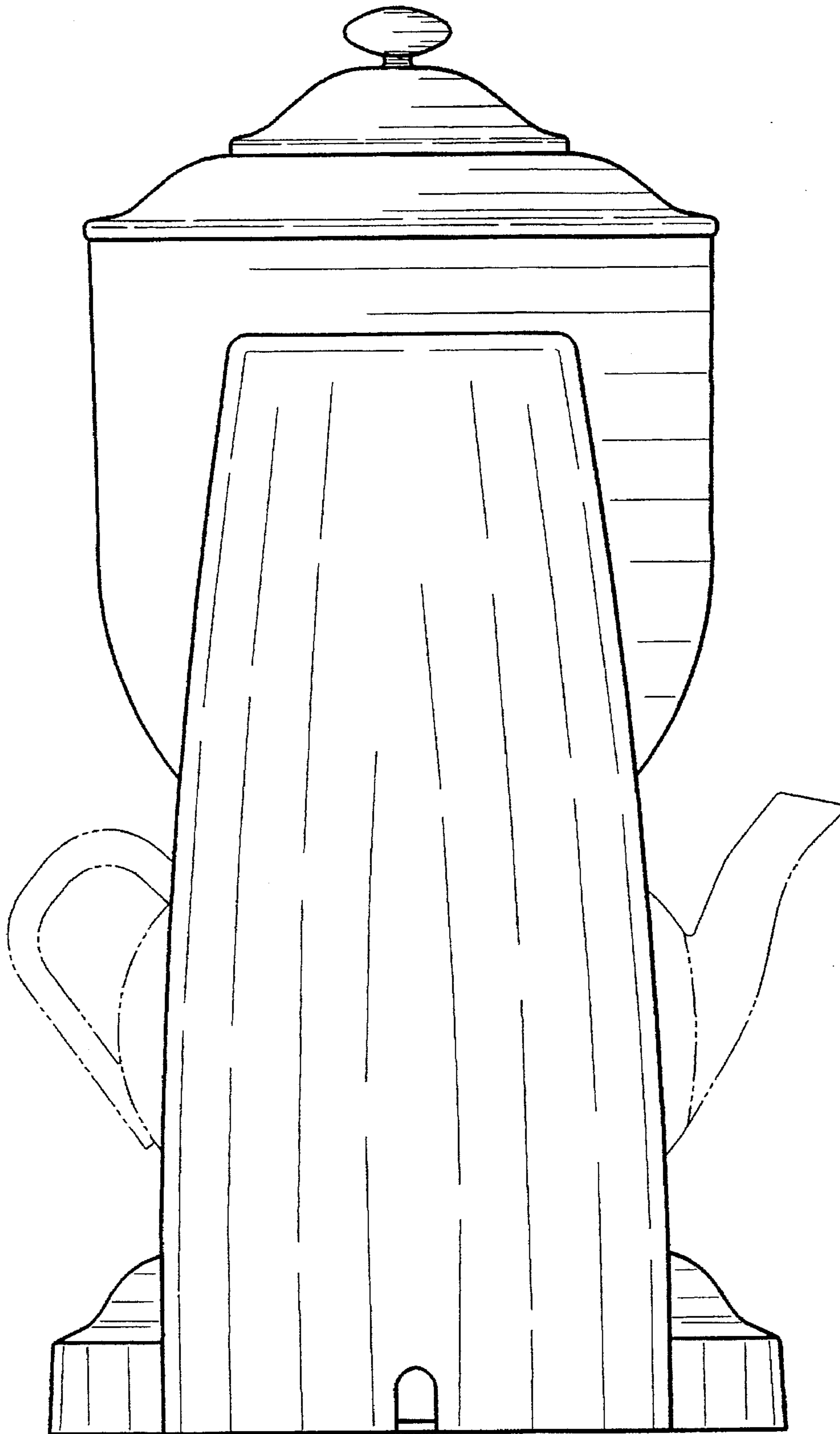


FIG. 4

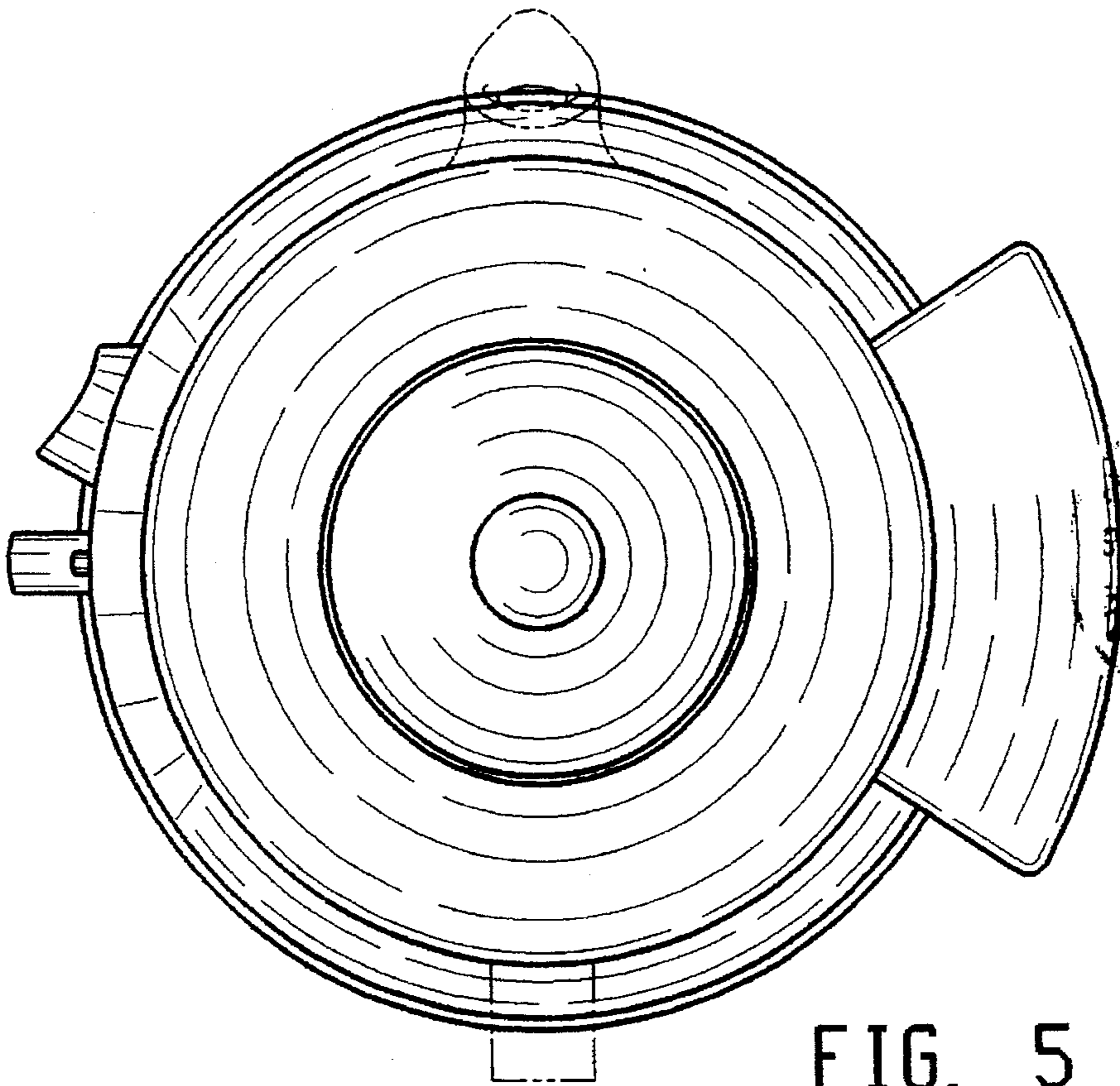


FIG. 5

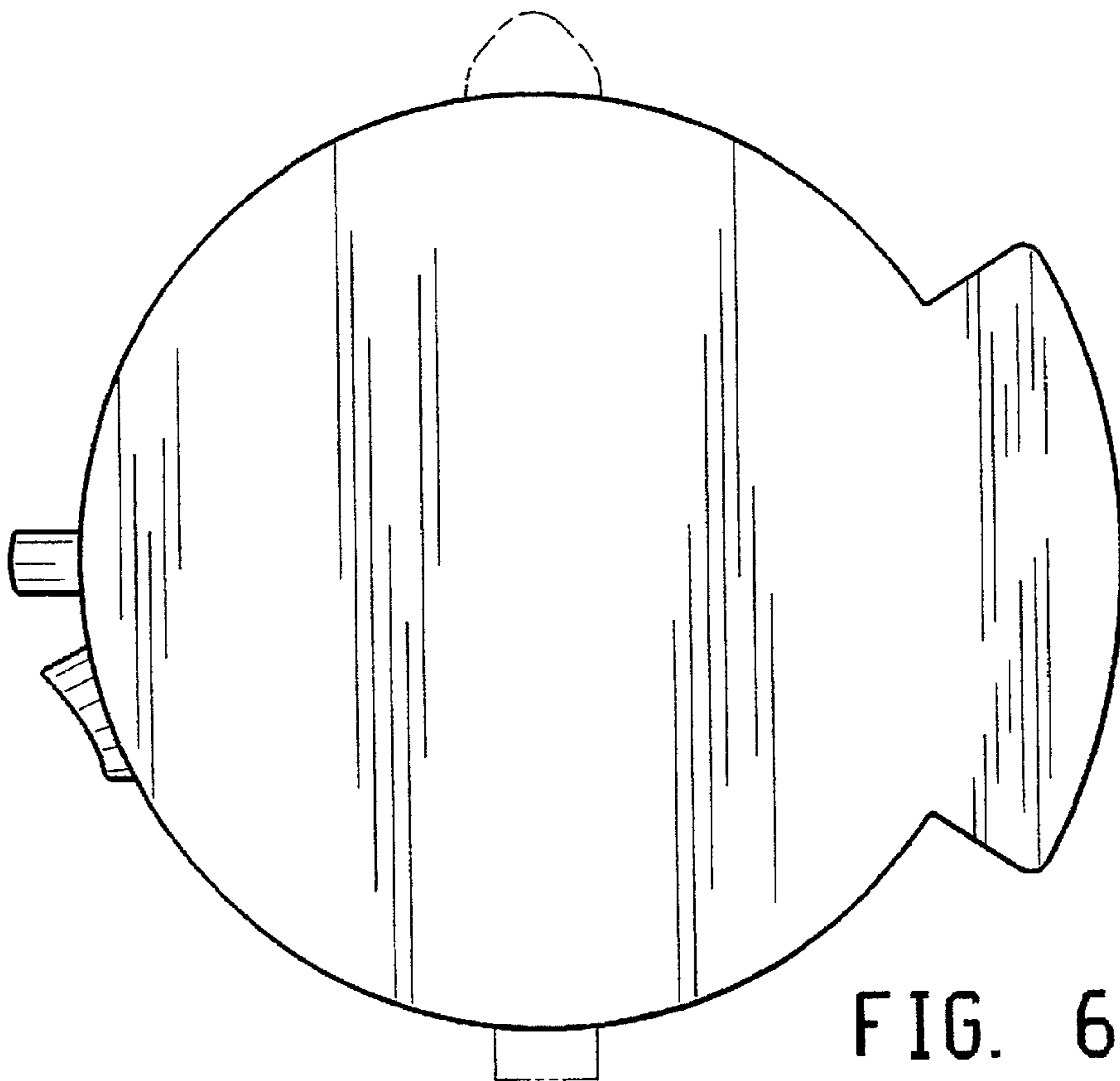


FIG. 6

UNITED STATES PATENT AND TRADEMARK OFFICE
CERTIFICATE OF CORRECTION

PATENT NO. : Des. 380,640

DATED : July 8, 1997

INVENTOR(S) : Mackay

It is certified that error appears in the above—identified patent and that said Letters Patent is hereby corrected as shown below:

Page 1 of the patent, under Description after Figure 5,

--Figure 6 is a bottom plan view thereof.--

Signed and Sealed this

Twenty-third Day of December, 1997



Attest:

BRUCE LEHMAN

Attesting Officer

Commissioner of Patents and Trademarks