



US00D380639S

United States Patent [19]

Tisbo

[11] Patent Number: **Des. 380,639**

[45] Date of Patent: ****Jul. 8, 1997**

[54] **MEDIA BIN**

[75] Inventor: **Peter M. Tisbo**, Barrington, Ill.

[73] Assignee: **Custom Plastics, Inc.**, Elk Grove Village, Ill.

[**] Term: **14 Years**

[21] Appl. No.: **51,481**

[22] Filed: **Mar. 11, 1996**

[51] LOC (6) Cl. **06-04**

[52] U.S. Cl. **D6/629; D6/468; D6/475**

[58] Field of Search D6/407, 449, 627-635, D6/466-468, 476; D19/76, 90, 91, 92; 206/444, 454, 387, 445; 211/40-42; 269/903, 296, 43, 87.2; D3/201

[56] **References Cited**

U.S. PATENT DOCUMENTS

- D. 250,552 12/1978 Winther D6/631
- D. 265,768 8/1982 Howley D19/90 X
- D. 268,379 3/1983 Dishell D6/631
- D. 305,841 2/1990 Macqueen D6/475
- D. 347,959 6/1994 Sankey D6/407
- D. 356,921 4/1995 Wolff D6/629
- D. 364,987 12/1995 Chi D6/629

- 2,917,179 12/1959 Casey et al. D6/407 X
- 4,117,931 10/1978 Berkman 211/40 X
- 4,859,993 8/1989 Kagami et al. 269/903 X
- 4,927,016 5/1990 Fuller D6/631 X
- 4,960,205 10/1990 Wang 206/444 X

Primary Examiner—Jeffrey Asch
Attorney, Agent, or Firm—McHale & Slavin, P.A.

[57] **CLAIM**

The ornamental design for a media bin, as shown and described.

DESCRIPTION

FIG. 1 is a perspective view of the media bin showing my new design, the side wall having been shown cut away for convenience of illustration with regard to the interior contours and the broken line showings of a compact disk and a computer disk being for illustrative purposes only and form no part of the claimed design;

FIG. 2 is a right side view thereof, the opposite side being a mirror image;

FIG. 3 is a top plane view;

FIG. 4 is a bottom plane view; and,

FIG. 5 is an end view, the opposite end view being a mirror image.

1 Claim, 2 Drawing Sheets

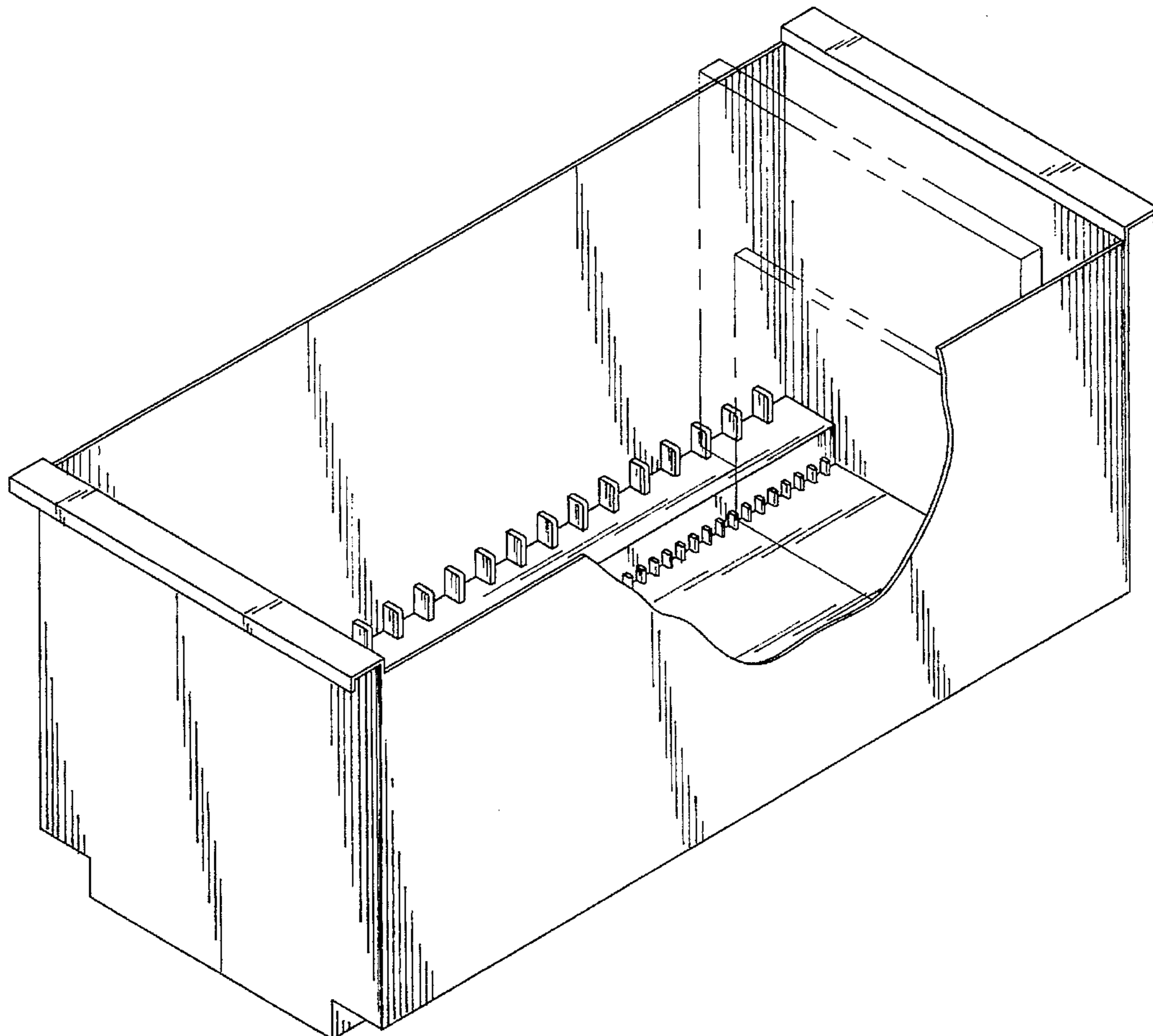


FIG. 1

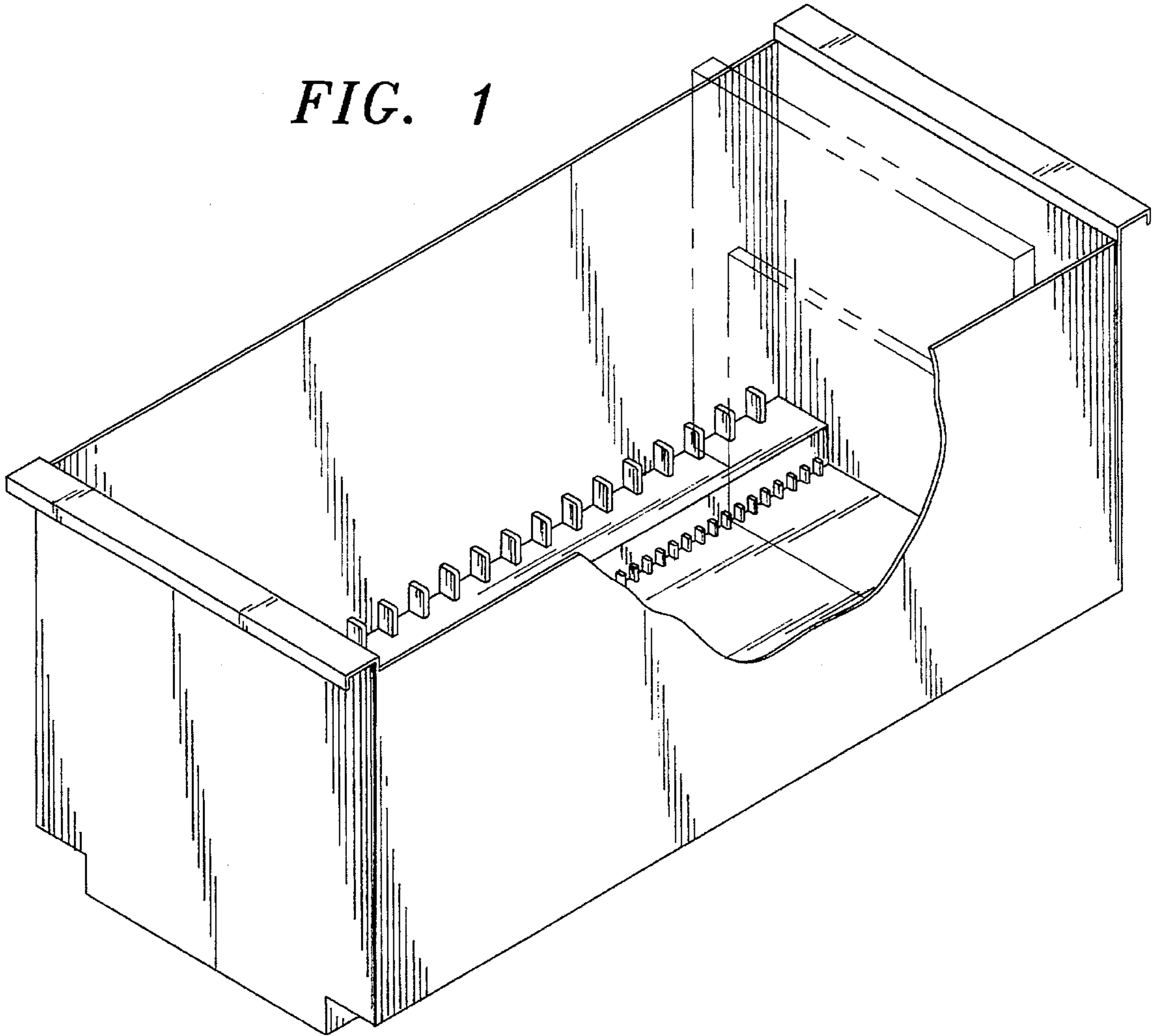


FIG. 5

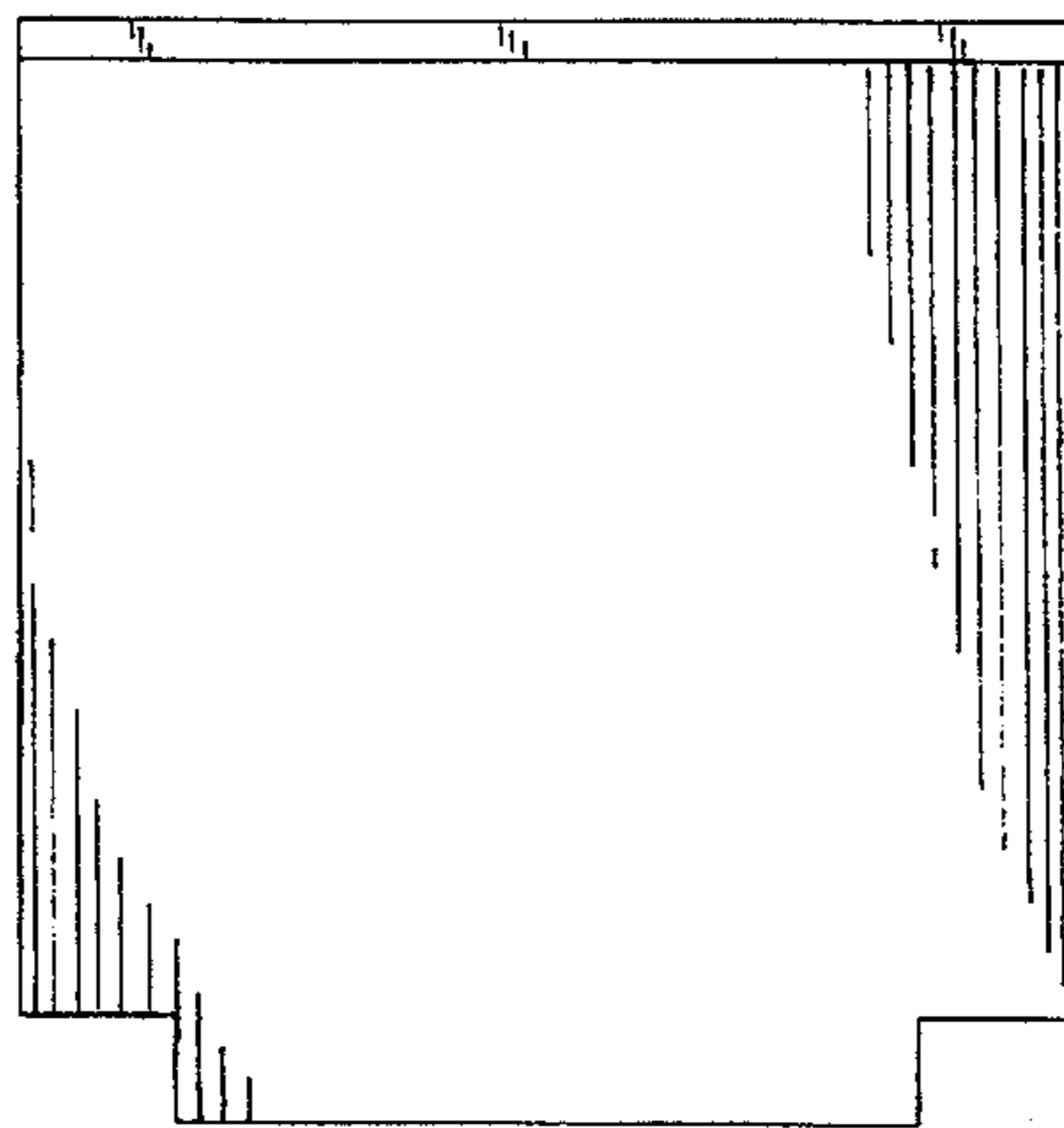


FIG. 2

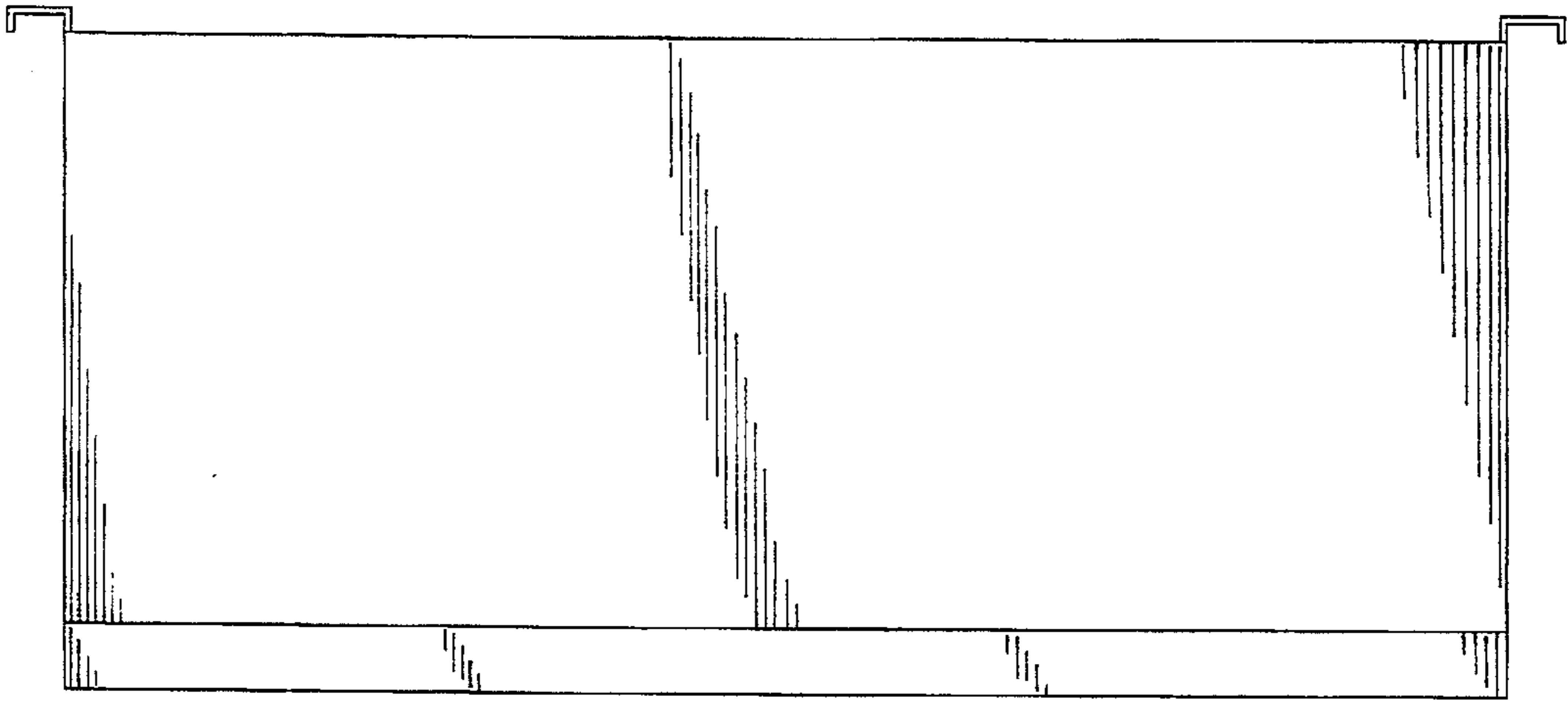


FIG. 3

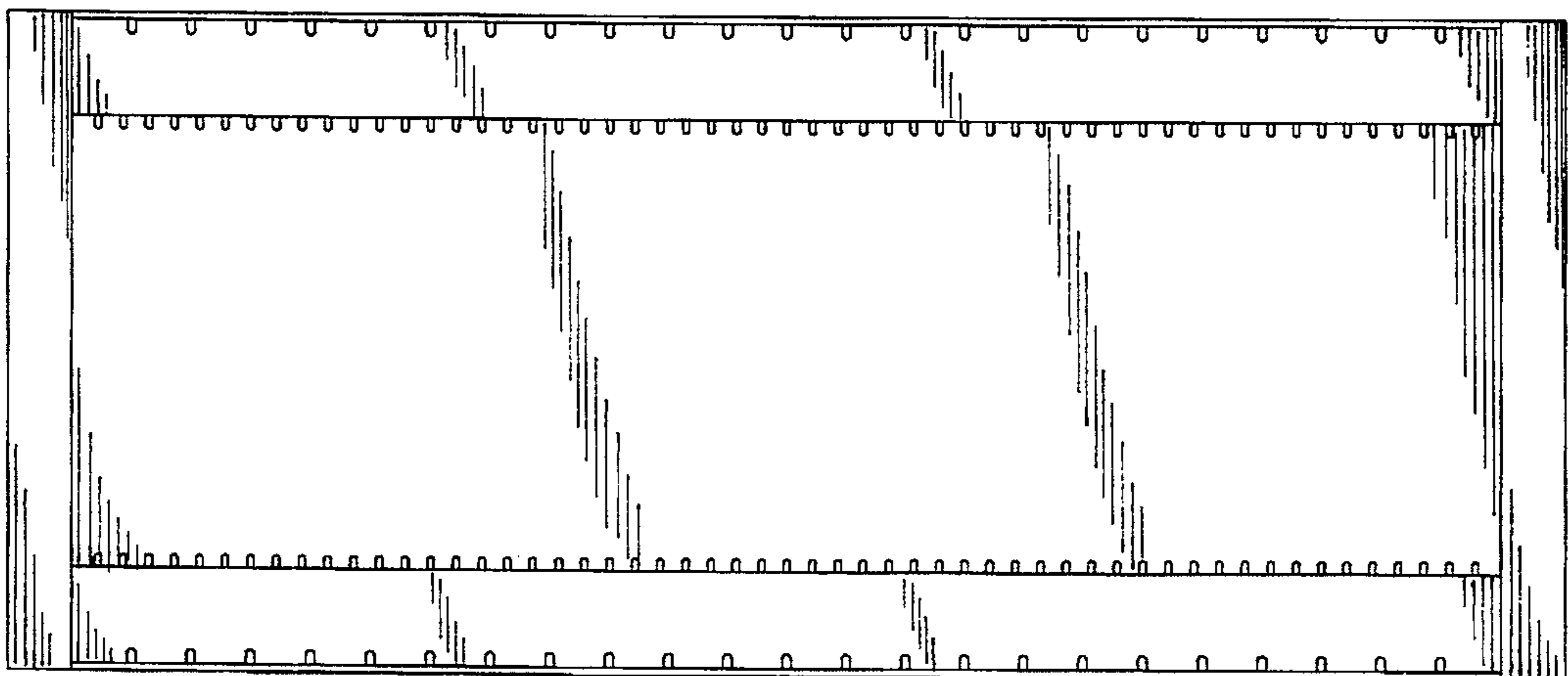


FIG. 4

