



US00D380638S

United States Patent [19]

[11] Patent Number: **Des. 380,638**

Cohen et al.

[45] Date of Patent: ****Jul. 8, 1997**

[54] **DISPLAY RACK FOR BURNER DRIP PANS, BURNER TRIM RINGS AND THE LIKE**

[75] Inventors: **Milton L. Cohen**, Hewlett Bay Park;
Jeff Siegel, Great Neck, both of N.Y.

[73] Assignee: **Lifetime Hoan Corporation**, Westbury, N.Y.

[**] Term: **14 Years**

[21] Appl. No.: **42,935**

[22] Filed: **Aug. 21, 1995**

[51] LOC (6) Cl. **07-02**

[52] U.S. Cl. **D6/566; D6/462**

[58] Field of Search D6/566, 567, 462-465,
D6/475, 476, 552; 211/13, 106, 181, 182,
88

[56] References Cited

U.S. PATENT DOCUMENTS

- D. 242,888 1/1977 Mazie et al. D6/566
- D. 264,651 6/1982 Adamson D6/566
- D. 330,897 11/1992 Rosenthal D6/465 X

- D. 351,523 10/1994 Rosenthal D6/566
- 1,994,195 3/1935 Hay D6/462 X
- 3,978,799 9/1976 Escalette 211/181 X
- 4,072,246 2/1978 Paulin D6/566 X
- 4,234,094 11/1980 Jorgensen 211/106 X
- 5,257,702 11/1993 Grafstein 211/106

OTHER PUBLICATIONS

Visual Merchandising + Store Design, Jun. 1988, p. 164, Crown Metal No. 2720 Literature Rack.

Primary Examiner—Jeffrey Asch
Attorney, Agent, or Firm—Goodman & Teitelbaum, Esqs.

[57] CLAIM

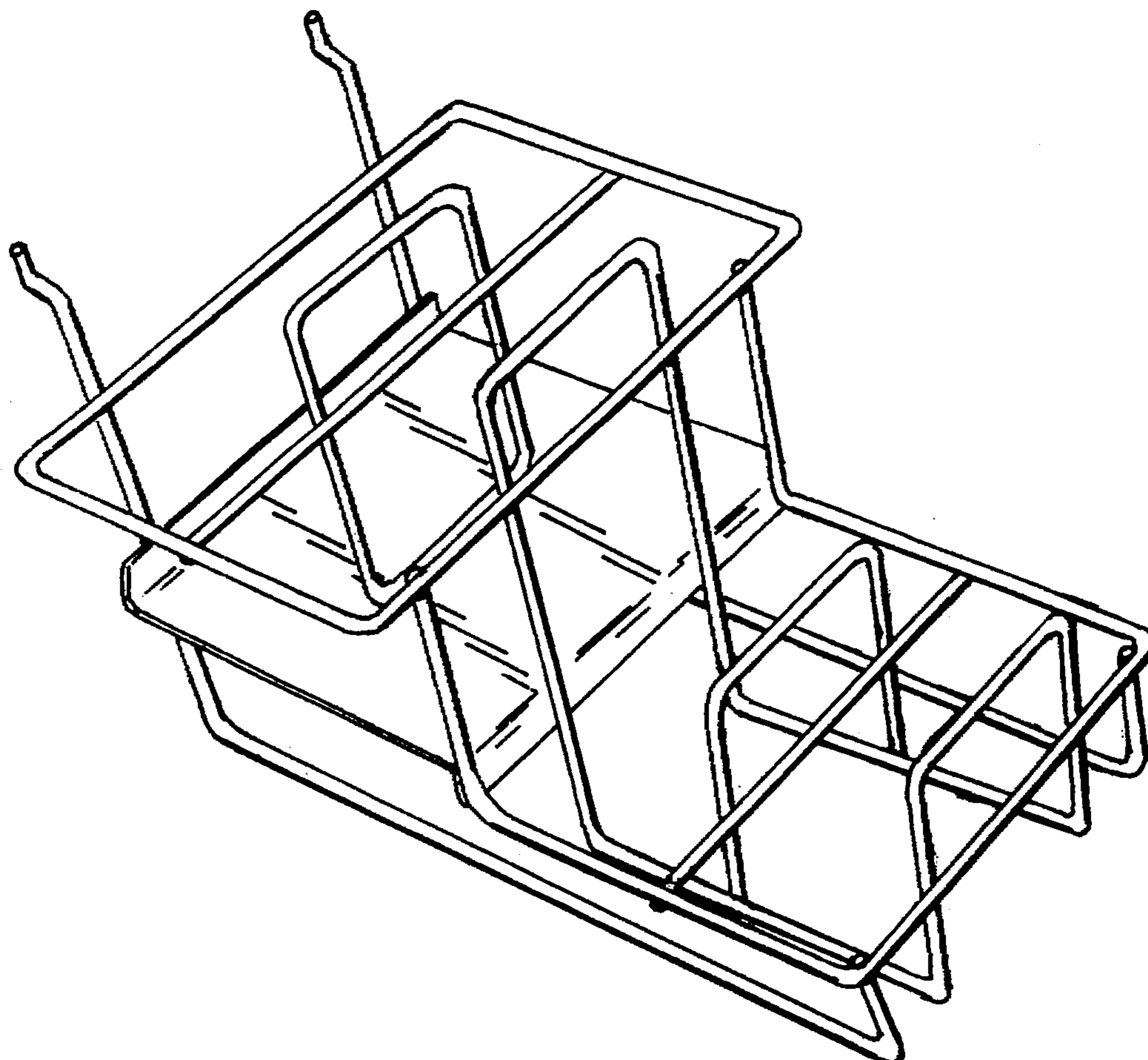
The ornamental design for a display rack for burner drip pans, burner trim rings and the like, as shown.

DESCRIPTION

FIG. 1 is a top perspective view of a display rack for burner drip pans, burner trim rings and the like, showing our new design;

FIG. 2 is a bottom perspective view thereof; and,
FIG. 3 is a left side perspective view thereof.

1 Claim, 1 Drawing Sheet



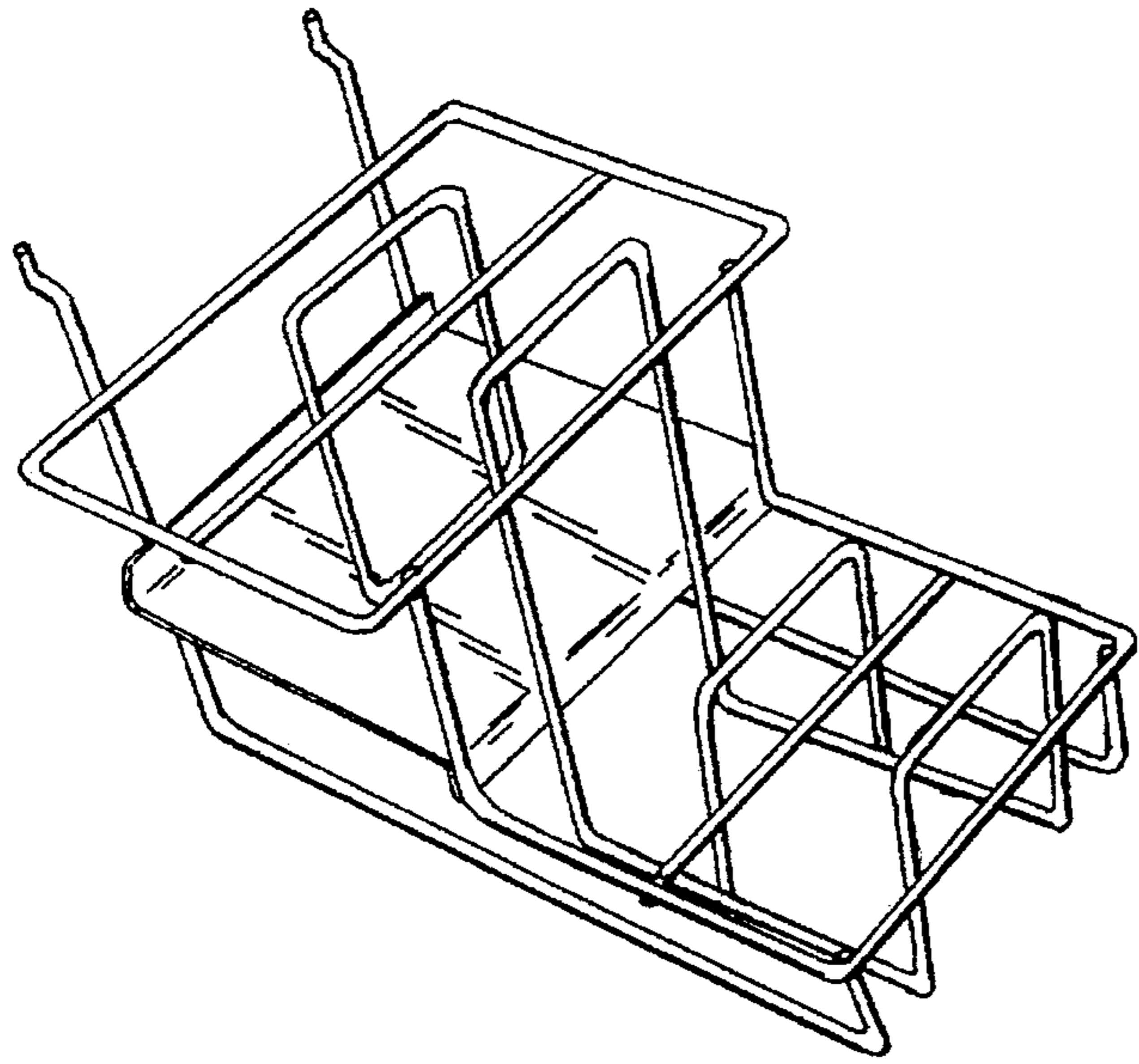


FIG. 1

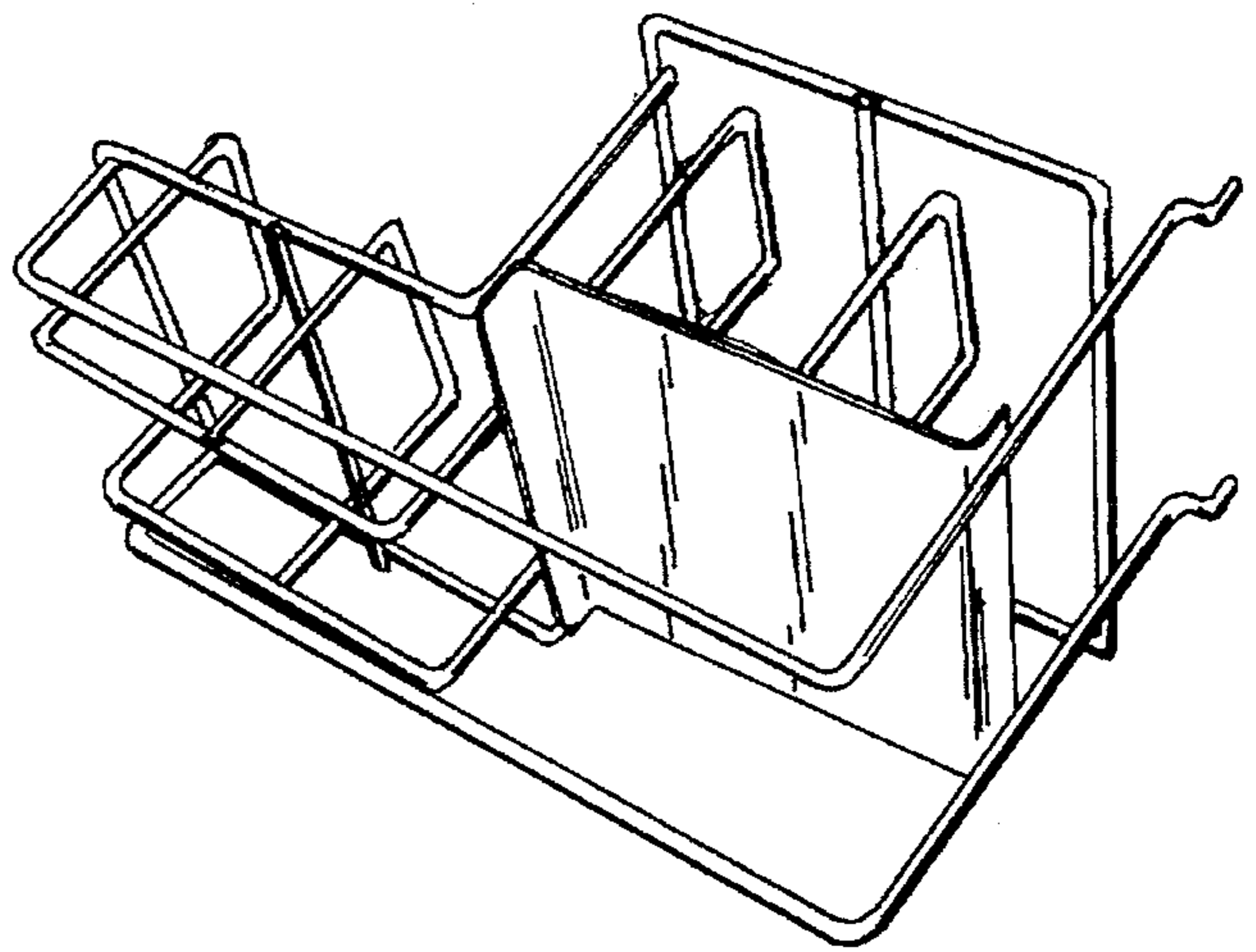


FIG. 2

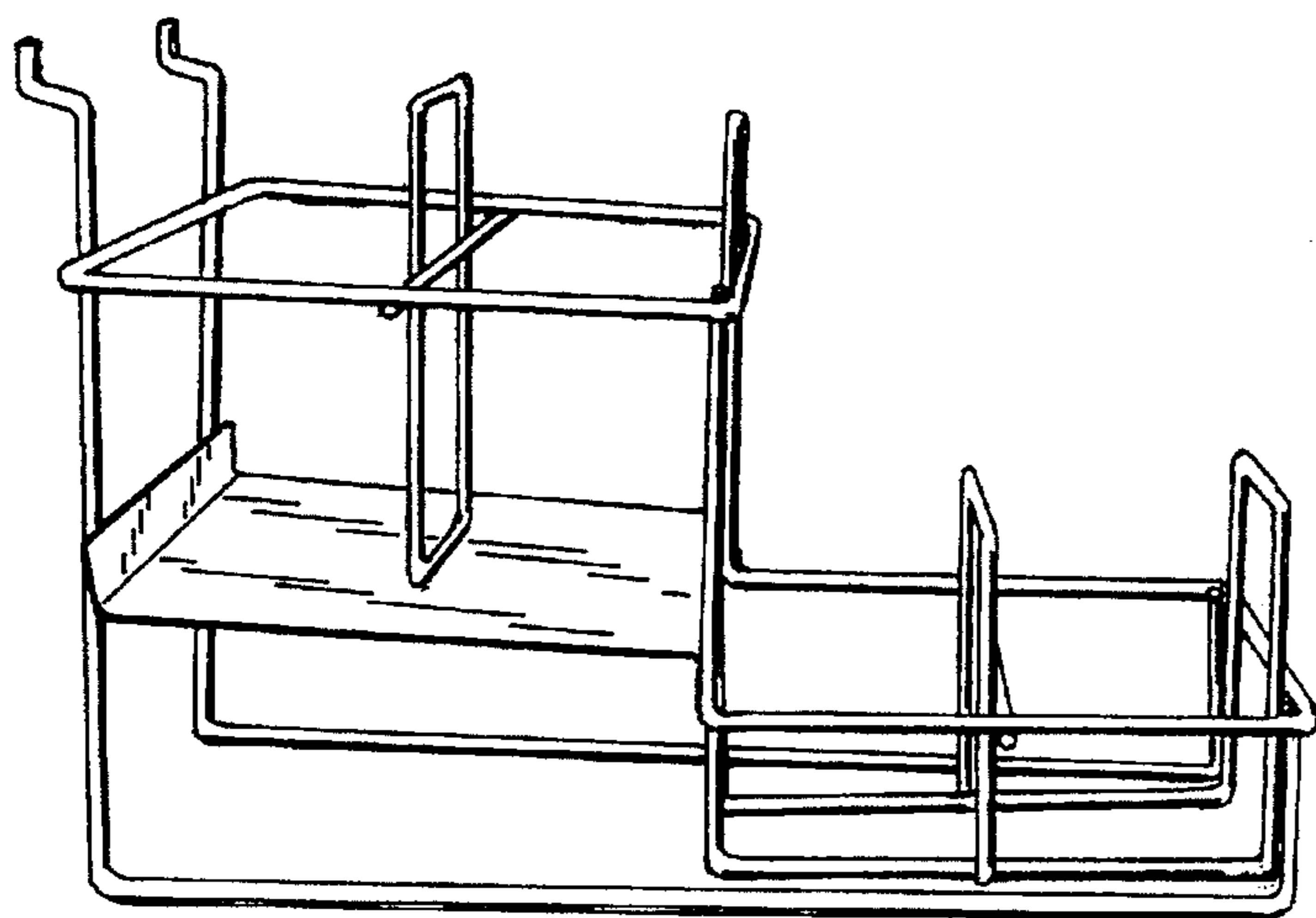


FIG. 3