



US00D380637S

United States Patent [19]
Funk

[11] **Patent Number:** **Des. 380,637**

[45] **Date of Patent:** ****Jul. 8, 1997**

[54] **ORGANIZER FOR GOLF EQUIPMENT**

5,497,891 3/1996 Hannon 211/71

[76] **Inventor:** **Edward W. Funk**, 6364 Breckenridge Run, Rex, Ga. 30281

Primary Examiner—Brian N. Vinson
Attorney, Agent, or Firm—Needle & Rosenberg, P.C.

[**] **Term:** **14 Years**

[57] **CLAIM**

The ornamental design for an organizer for golf equipment, as shown and described.

[21] **Appl. No.:** **50,348**

[22] **Filed:** **Feb. 15, 1996**

DESCRIPTION

[51] **LOC (6) Cl.** **08-08**

[52] **U.S. Cl.** **D6/552**

[58] **Field of Search** D6/449, 462, 467,
D6/552, 397; D21/223; 211/71, 70.2; 248/127,
128

FIG. 1 is a perspective view showing the front, top and left side of my new design;

FIG. 2 is a front elevational view thereof;

FIG. 3 is a left side elevational view thereof;

FIG. 4 is a rear elevational view thereof;

FIG. 5 is a right side elevational view thereof;

FIG. 6 is a top plan view thereof;

FIG. 7 is a bottom plan view thereof; and,

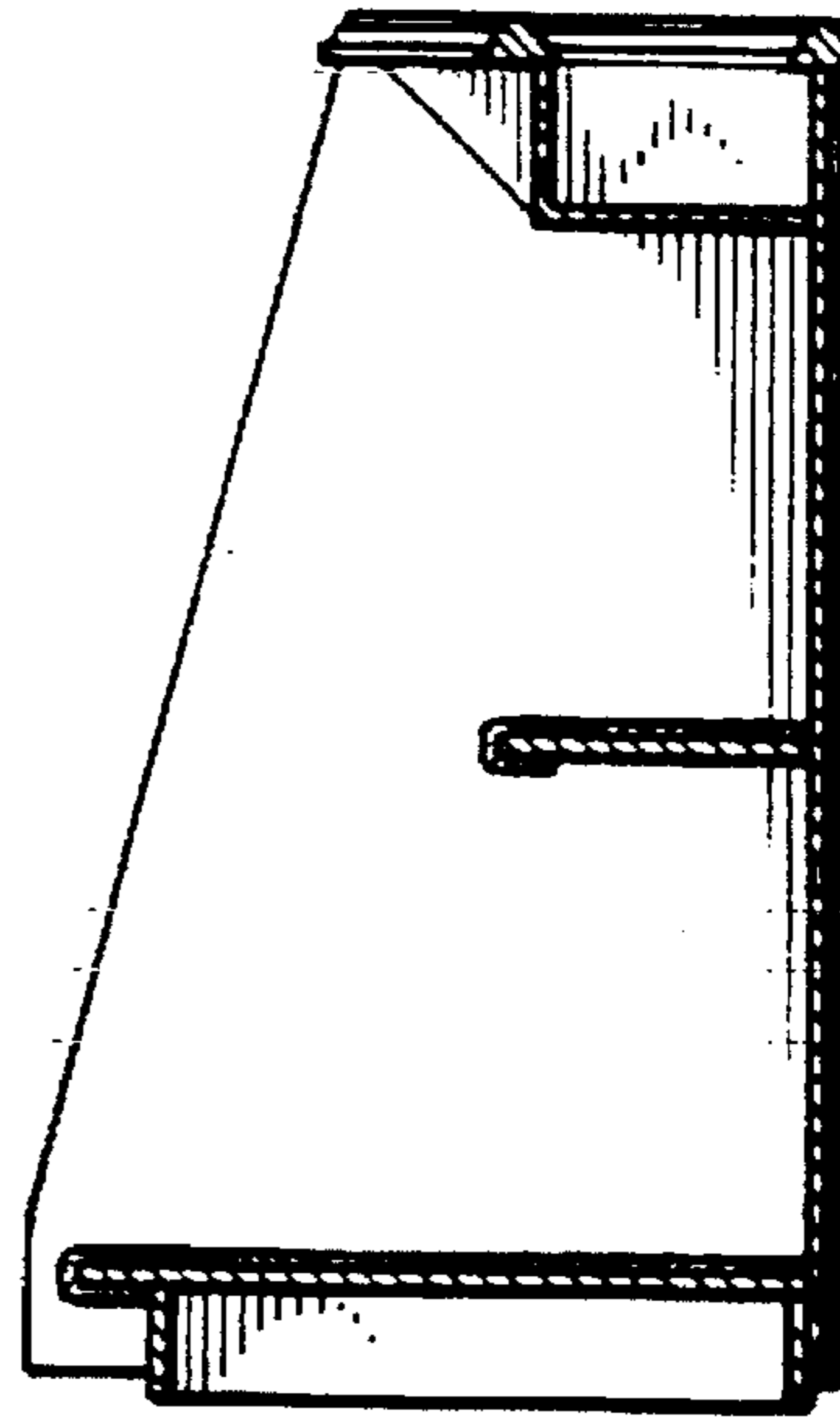
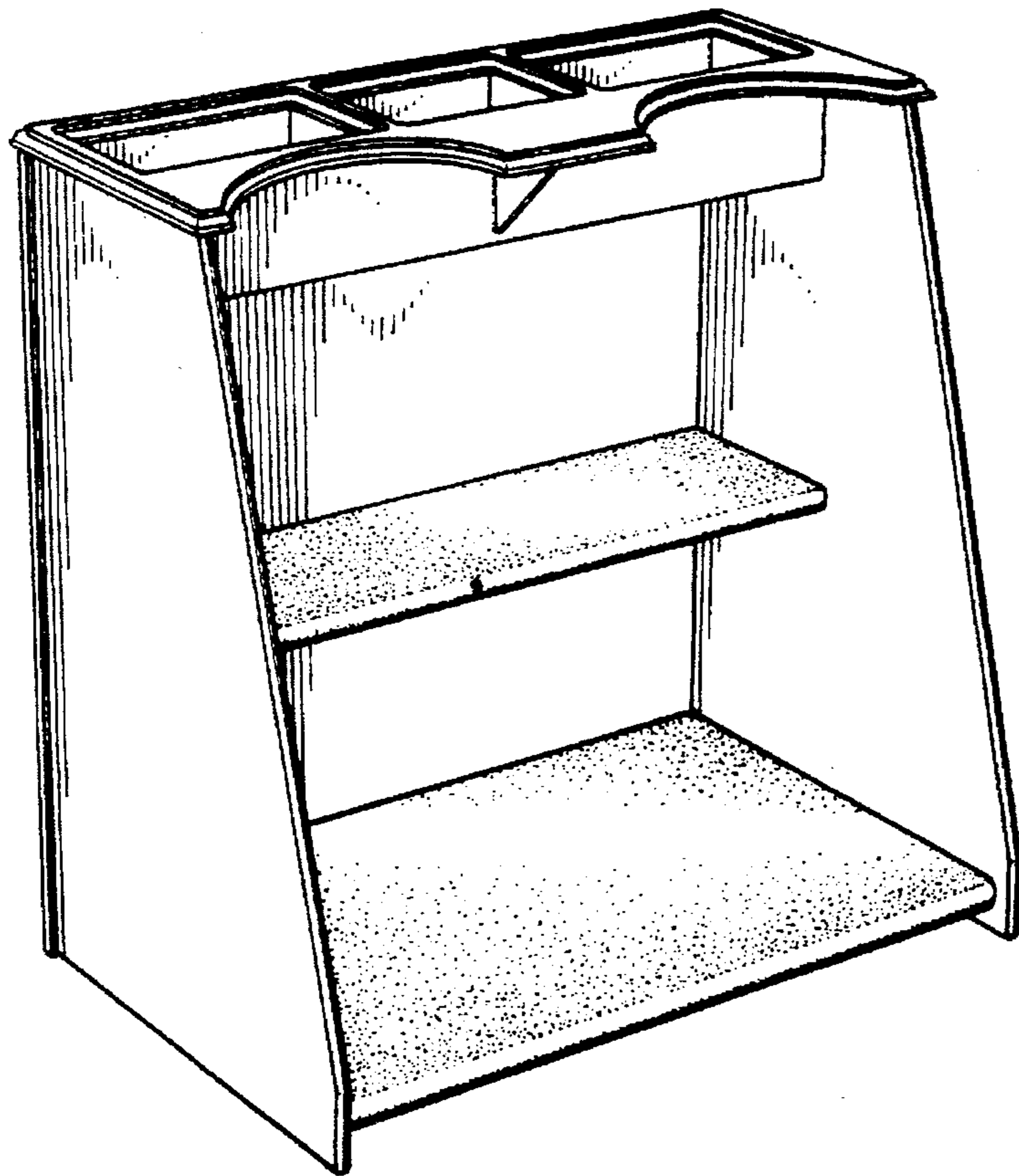
FIG. 8 is a cross-sectional view taken along line 8—8 in FIG. 6.

[56] **References Cited**

U.S. PATENT DOCUMENTS

- D. 312,016 11/1990 Montgomery D6/552
- D. 317,231 6/1991 Montgomery D6/552
- 4,045,103 8/1977 Paolino 211/71 X

1 Claim, 2 Drawing Sheets



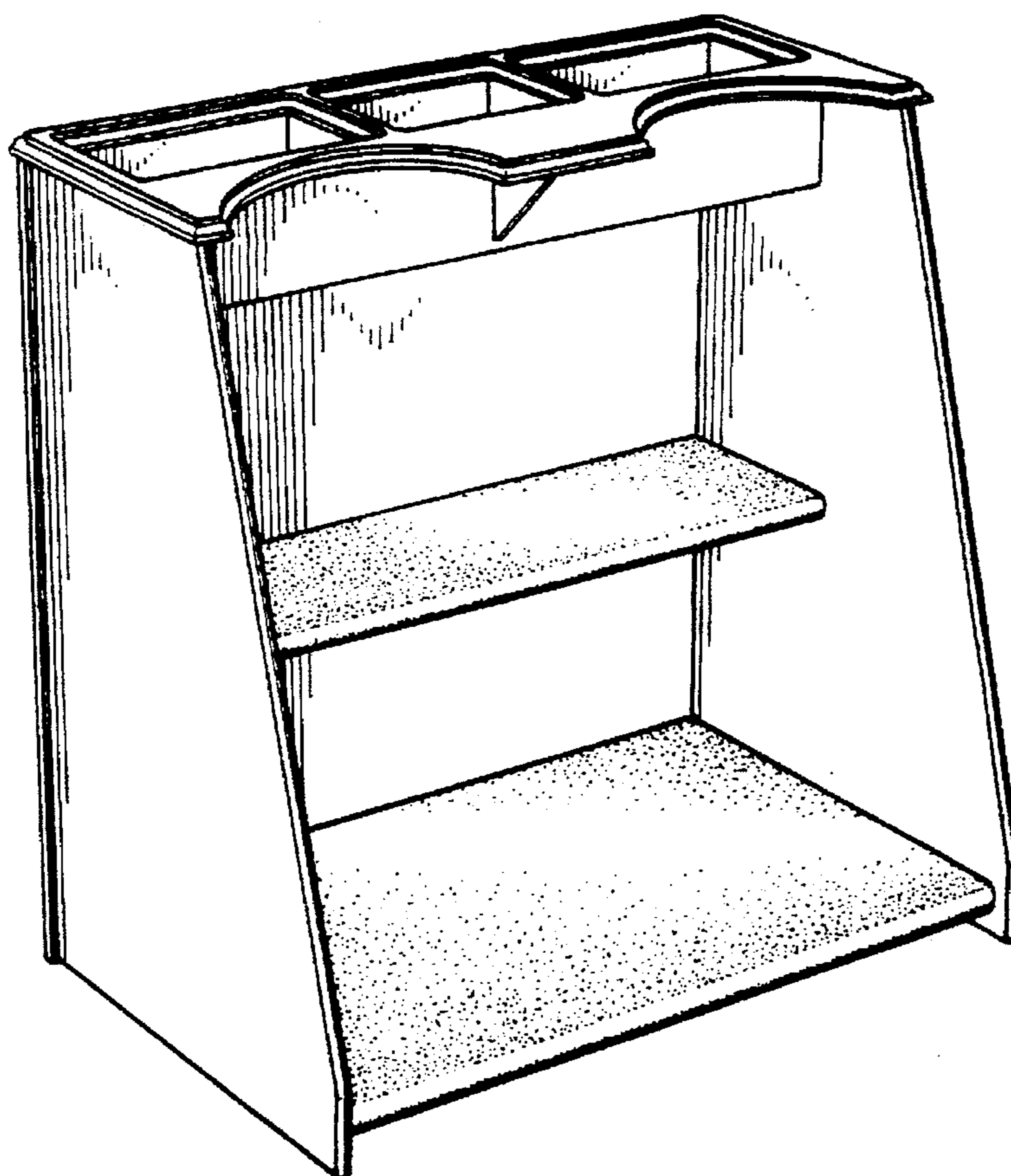


FIG 1

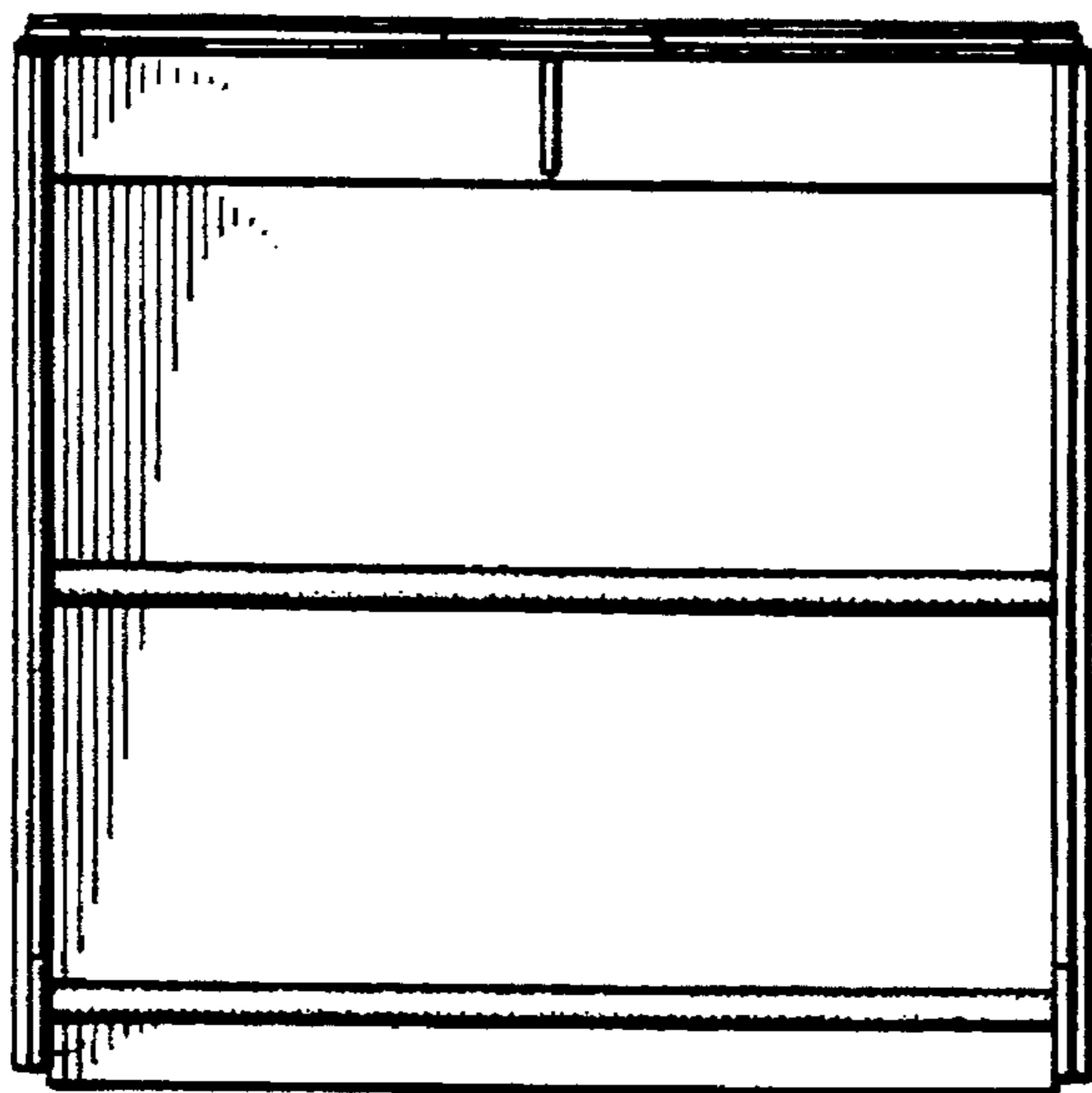


FIG 2

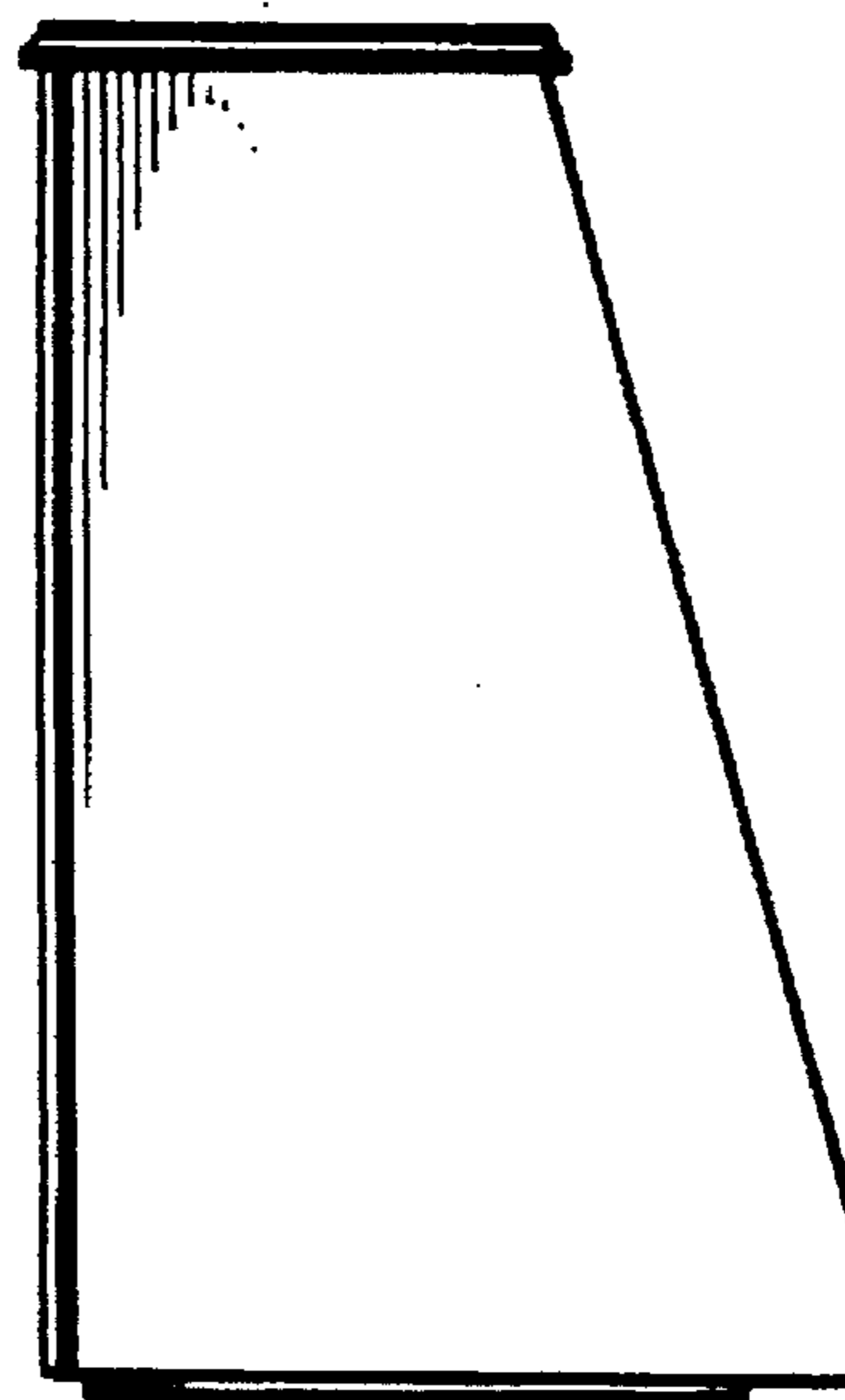


FIG 3

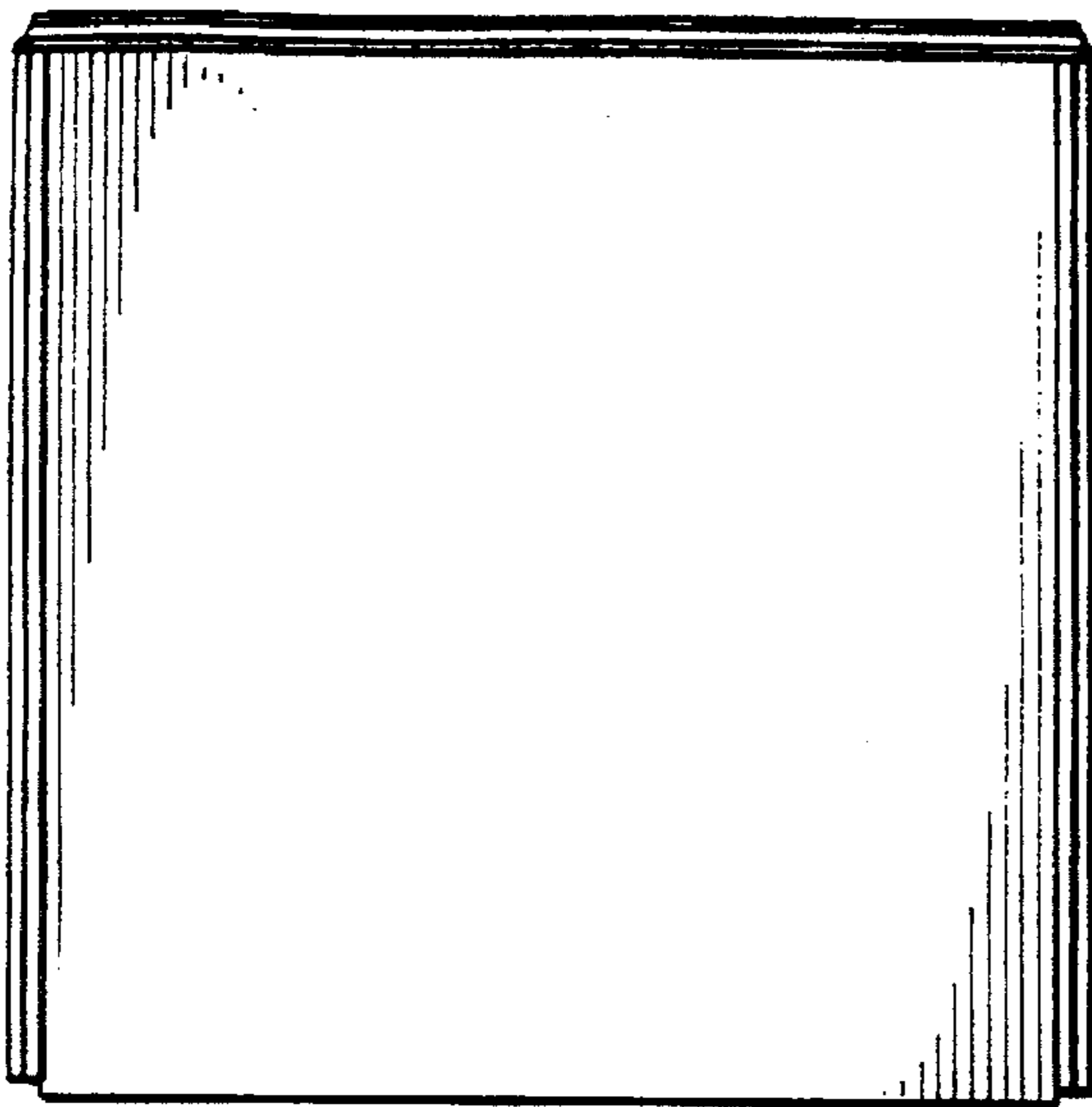


FIG 4

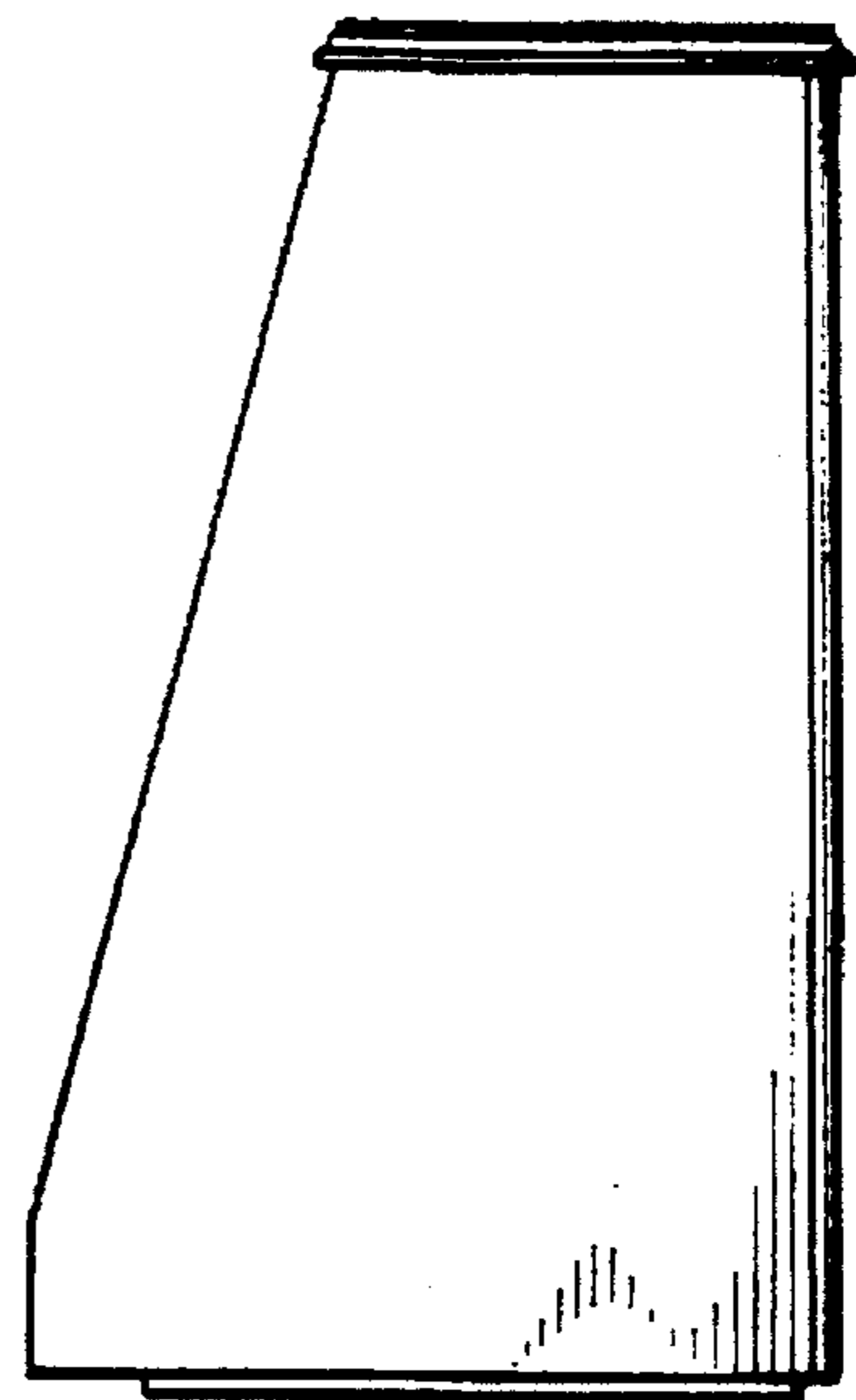


FIG 5

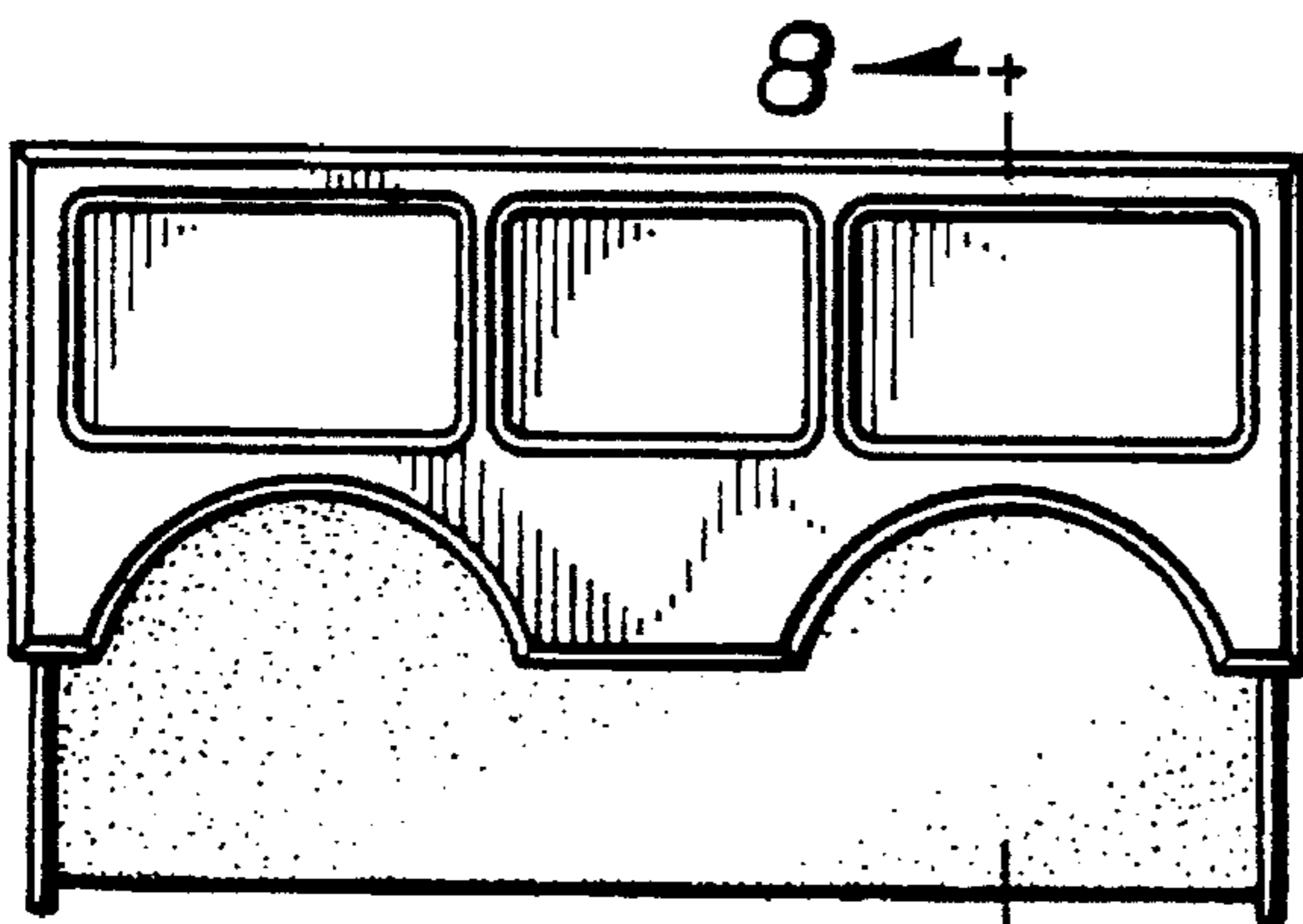


FIG 6

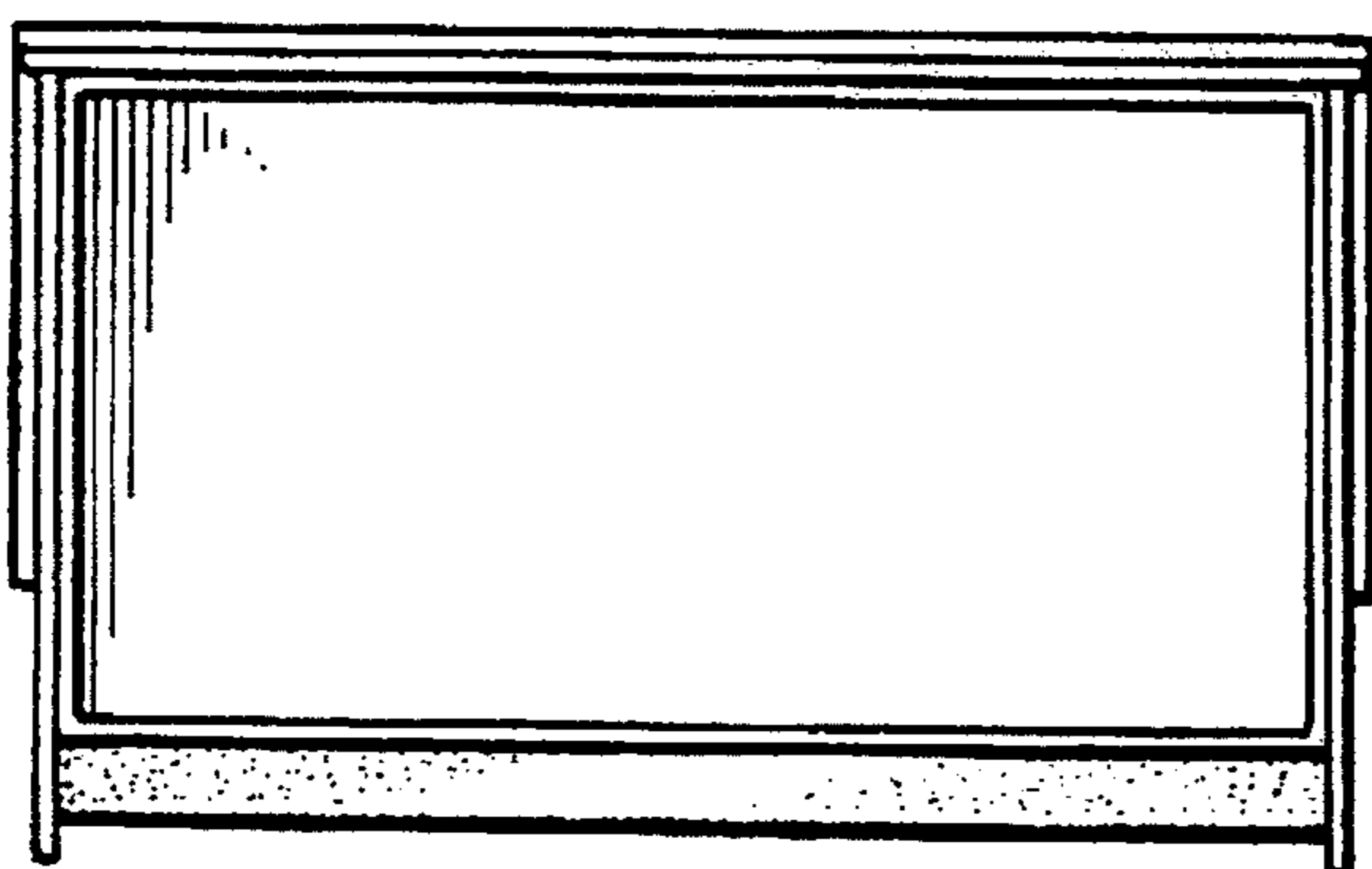


FIG 7

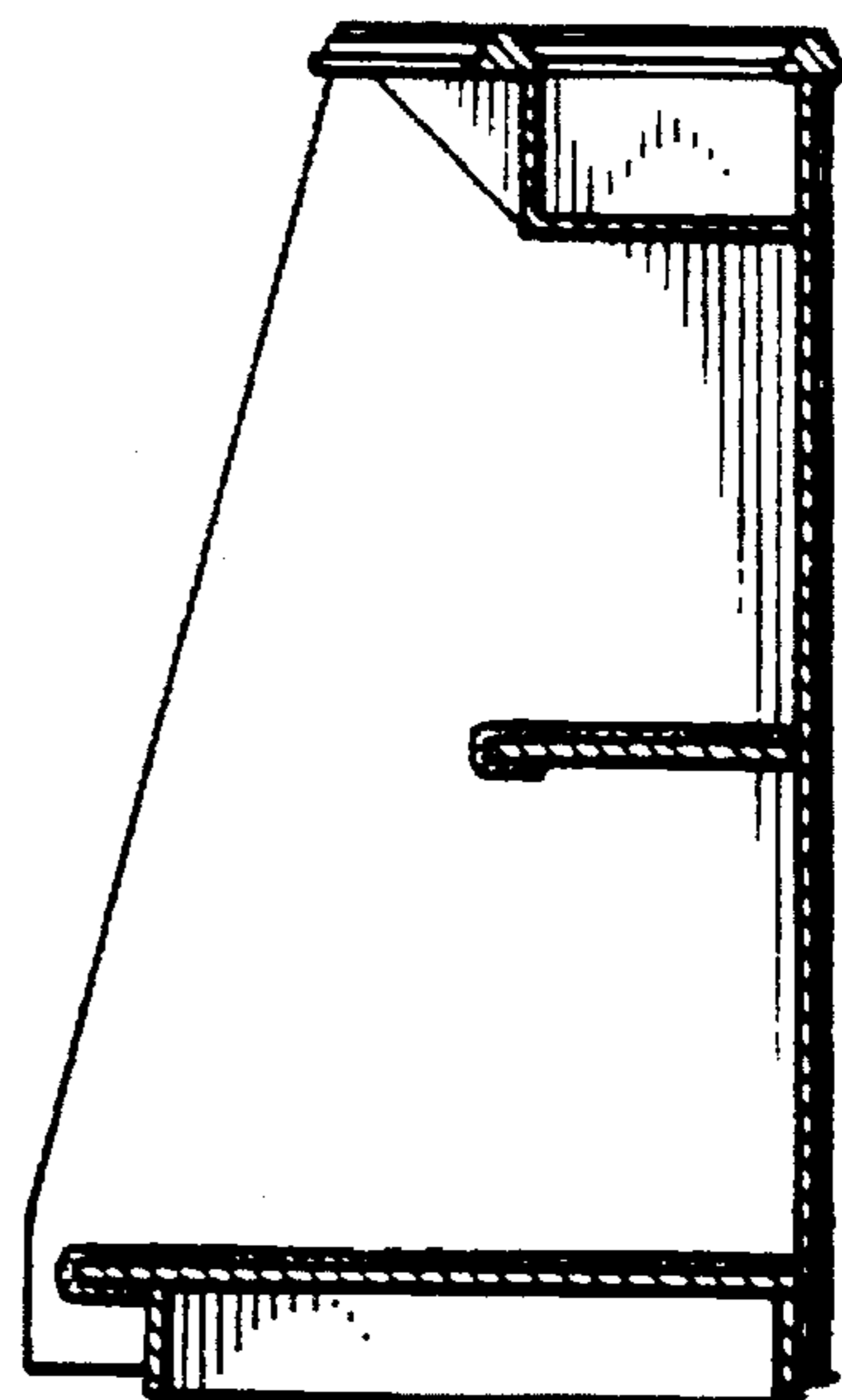


FIG 8