



US00D380633S

United States Patent [19]
Shaw

[11] **Patent Number:** **Des. 380,633**

[45] **Date of Patent:** ****Jul. 8, 1997**

[54] **ROCKER ATTACHMENT**

5,013,086 5/1991 Benzur 5/107 X
5,211,443 5/1993 Kelly .

[76] **Inventor:** **Donald Shaw**, 170 Commander Blvd.,
Agincourt, Ontario, Canada, M1S 3C8

Primary Examiner—Janice E. Seeger
Attorney, Agent, or Firm—McFadden, Fincham

[**] **Term:** **14 Years**

[57] **CLAIM**

[21] **Appl. No.:** **51,585**

The ornamental design for rocker attachment, as shown and described.

[22] **Filed:** **Mar. 14, 1996**

DESCRIPTION

[51] **LOC (6) Cl.** **06-06**

[52] **U.S. Cl.** **D6/495; D6/348; D6/385;**
D6/491

[58] **Field of Search** **D6/491, 495, 500,**
D6/344, 348; 297/133, 272.1; 5/105, 107

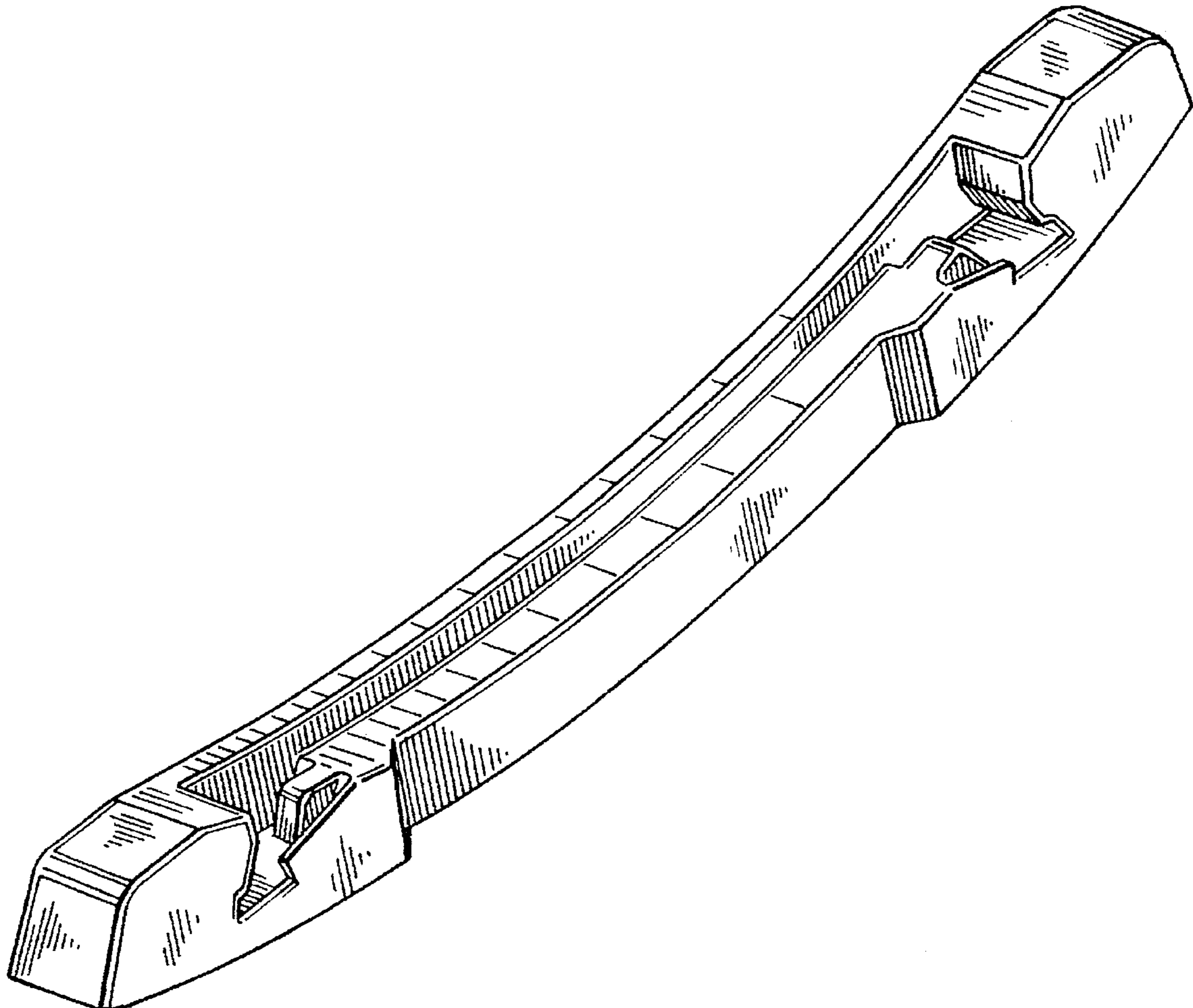
FIG. 1 is a side view of one side of the design;
FIG. 2 is a side view of the other side of the design;
FIG. 3 is a top view of the design;
FIG. 4 is a bottom view of the design;
FIG. 5 is a left end elevational view of the design;
FIG. 6 is a right end elevational view of the design;
FIG. 7 is a perspective view of the design;
FIG. 8 is a bottom view of another embodiment of the design; and,
FIG. 9 is a perspective view, the broken lines are for environmental purposes only and form no part of the claimed design.

[56] **References Cited**

U.S. PATENT DOCUMENTS

75,617	3/1868	Yale	297/133
315,369	4/1885	Work	297/133
4,047,753	9/1977	Uchida .	
4,079,991	3/1978	Harris .	
4,126,353	11/1978	Clough .	
4,807,926	2/1989	Brunn .	

1 Claim, 3 Drawing Sheets



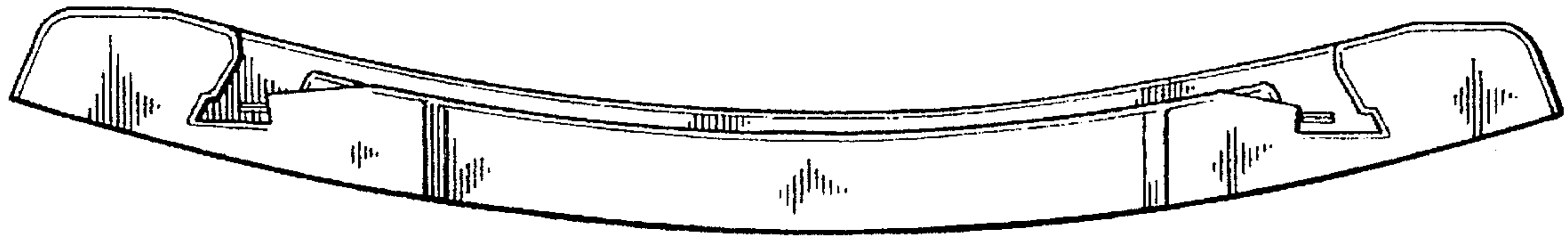


FIG. 1

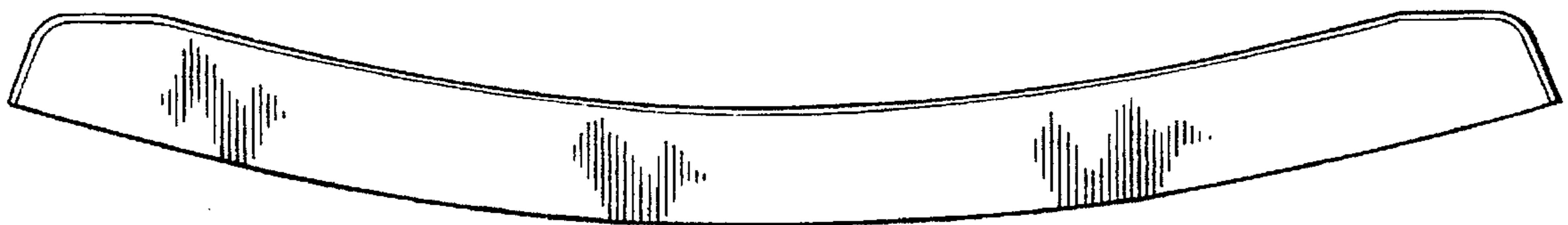


FIG. 2

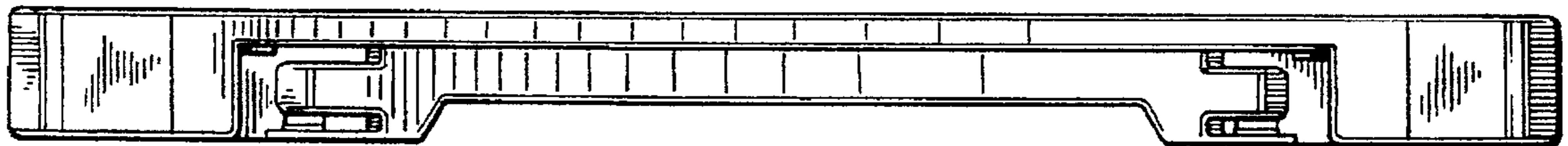


FIG. 3

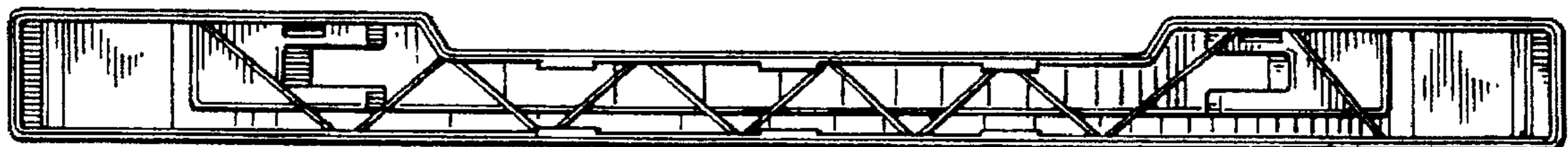


FIG. 4

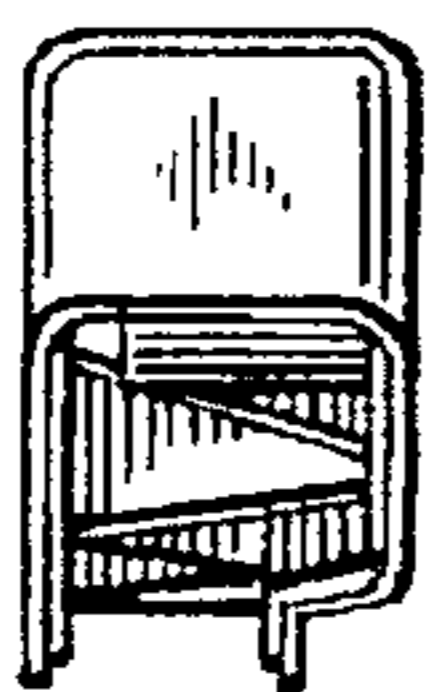


FIG. 5



FIG. 6

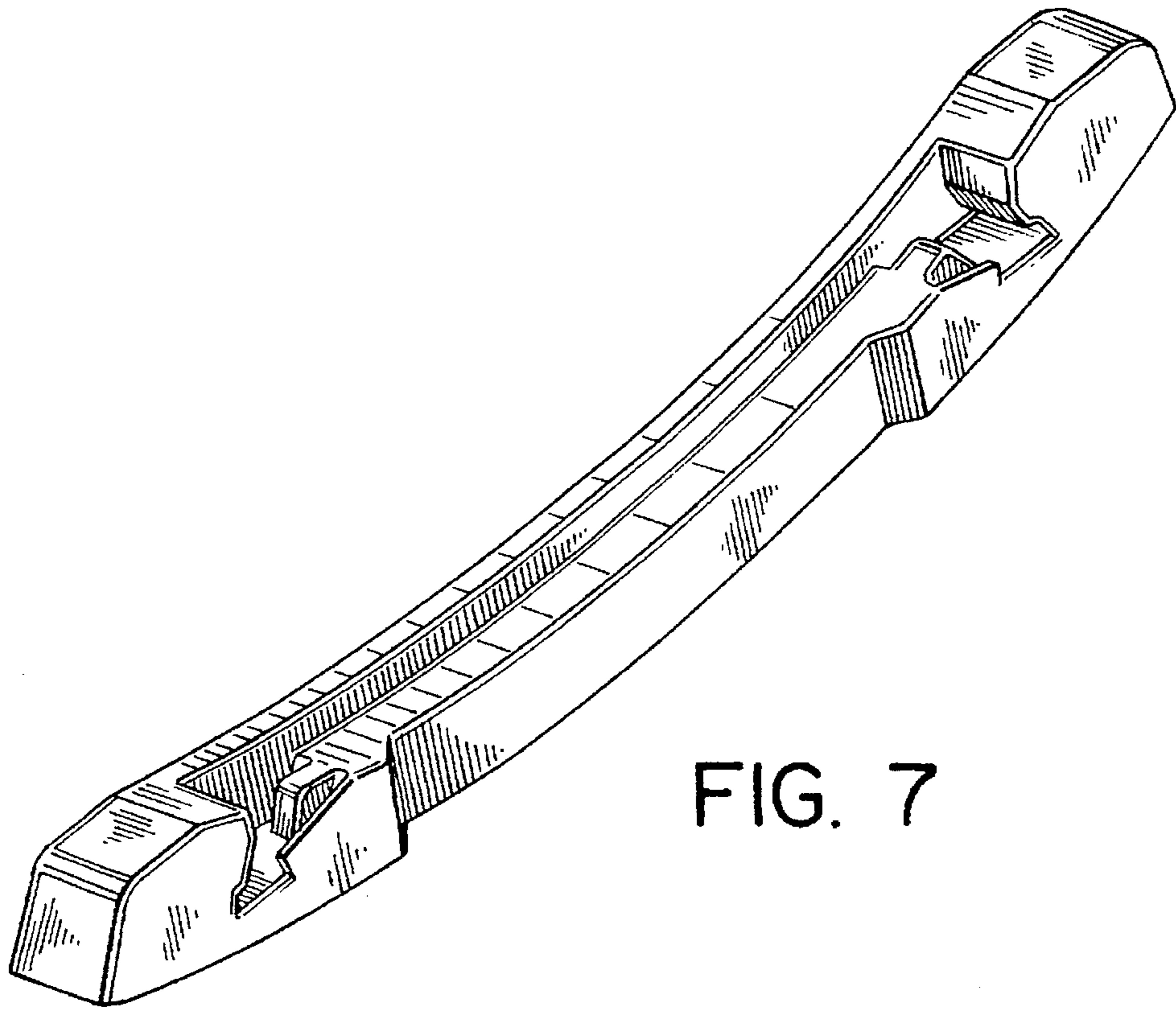


FIG. 7

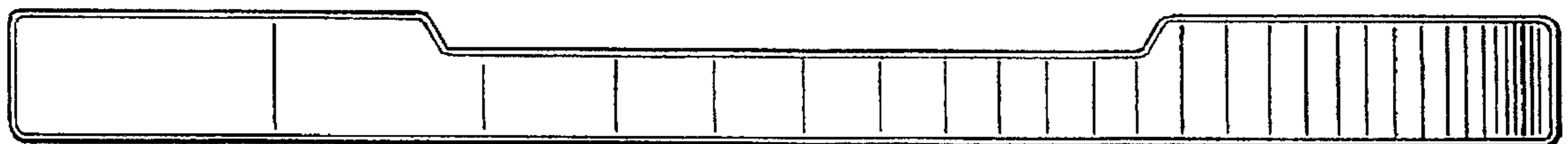


FIG. 8

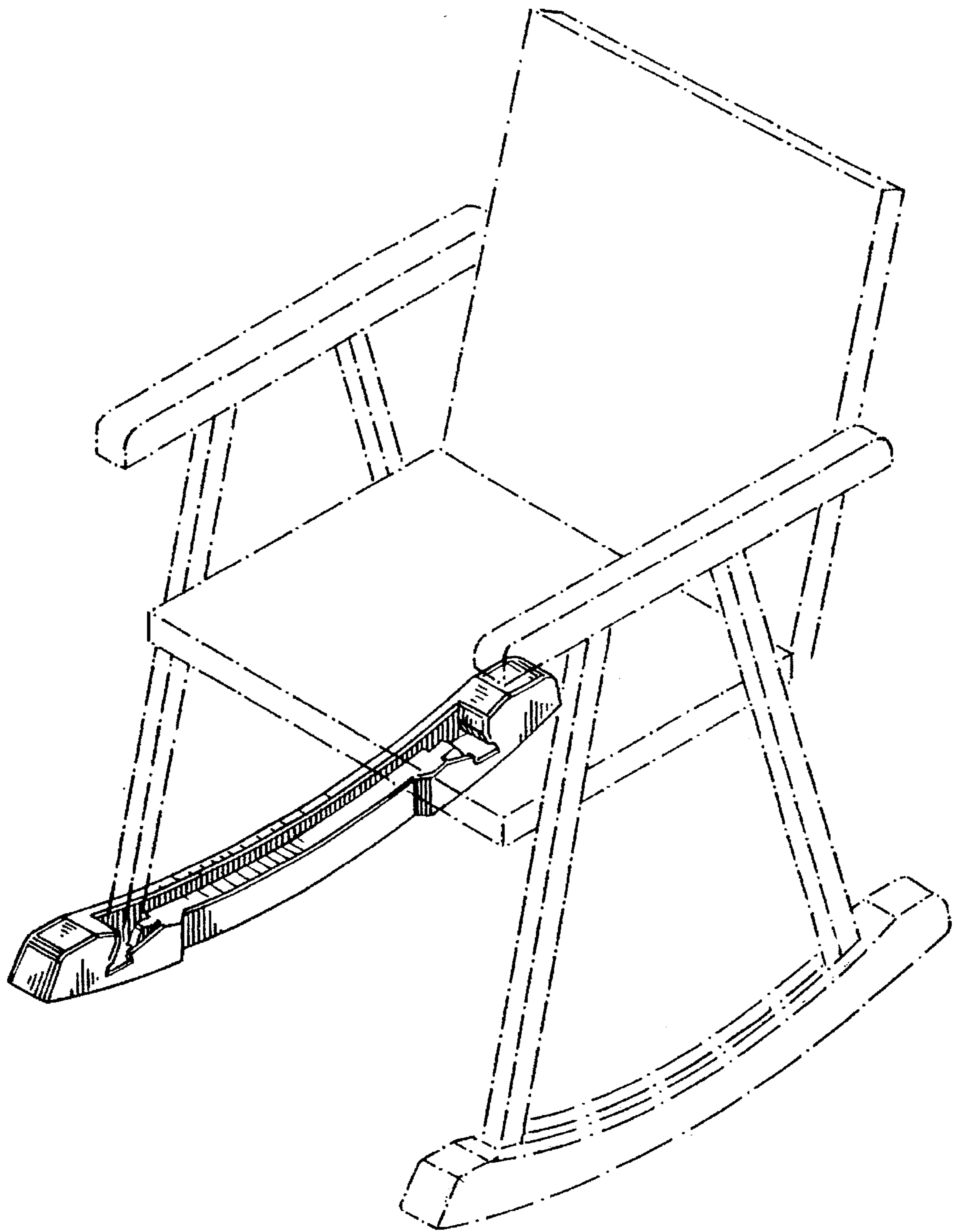


FIG. 9