



US00D380632S

United States Patent [19]
Schacht

[11] **Patent Number: Des. 380,632**

[45] **Date of Patent: **Jul. 8, 1997**

[54] **PAIR OF LEGS FOR A TABLE**

[75] **Inventor: William F. Schacht**, Grand Rapids, Mich.

[73] **Assignee: Haworth, Inc.**, Holland, Mich.

[**] **Term: 14 Years**

[21] **Appl. No.: 40,112**

[22] **Filed: Jun. 9, 1995**

[51] **LOC (6) Cl. 06-06**

[52] **U.S. Cl. D6/495**

[58] **Field of Search** D6/480-489, 495-499;
108/153, 155, 156, 157, 161, 144; 248/188,
188.1, 188.8

[56] **References Cited**

U.S. PATENT DOCUMENTS

D. 284,532	7/1986	Vogt	D6/428
D. 314,299	2/1991	Diffrient	D6/495
D. 320,320	10/1991	Ditshuizen	D6/422
D. 330,302	10/1992	Heidmann	D6/495
D. 352,845	11/1994	Hellwig et al.	D6/422
5,394,809	3/1995	Feldpausch et al.		
5,427,035	6/1995	Grahl	108/144

OTHER PUBLICATIONS

Steelcase Ellipse Desk System, brochure No. S-507 (14 pages).

The art of working brings you . . . unlimited possibilities brochure, pp. 21-30 (11 pages).

Haworth Office Desking System, Furniture That Works brochure (4 pages).

The Teknion Office System, Teknion Two Panel System and Desk System brochure (8 pages).
Herman Miller, Newhouse Group Furniture, brochure No. Q.MS6806-2 (12 pages).

Primary Examiner—Janice E. Seeger
Attorney, Agent, or Firm—Flynn, Thiel, Boutell & Tanis, P.C.

[57] **CLAIM**

The ornamental design of a pair of legs for a table, as shown and described.

DESCRIPTION

FIG. 1 is a perspective view of a first variation of a pair of legs for a table embodying my design, the table top being shown in dotted lines for illustrative purposes;

FIG. 2 is a front view thereof;

FIG. 3 is a left-side elevational view thereof on an enlarged scale, the right-side elevational view being substantially identical thereof; and

FIG. 4 is a plan view taken generally along line 4-4 in FIG. 2;

FIG. 5 is a perspective view of a second variation of a pair of legs for a table embodying my design, the table top being shown in dotted lines for illustrative purposes;

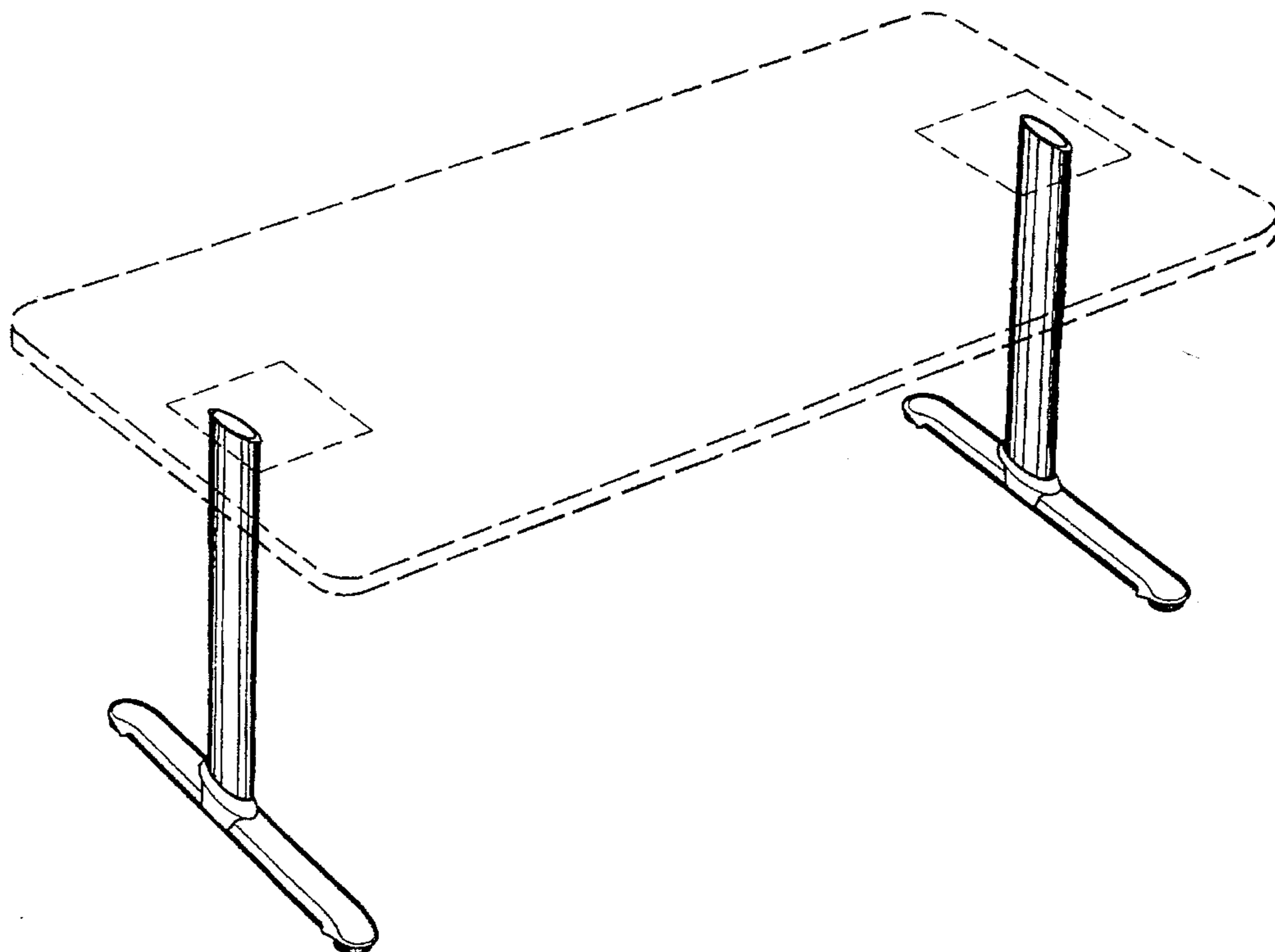
FIG. 6 is a front elevational view thereof;

FIG. 7 is a left-side elevational view thereof on an enlarged scale, the right-side elevation view being substantially a mirror image thereof; and,

FIG. 8 is a plan view taken generally along line 8-8 in FIG. 6.

The mounting elements shown at the top of each leg are not shown in FIGS. 1, 4, 5 and 8 for convenience of illustration.

1 Claim, 8 Drawing Sheets



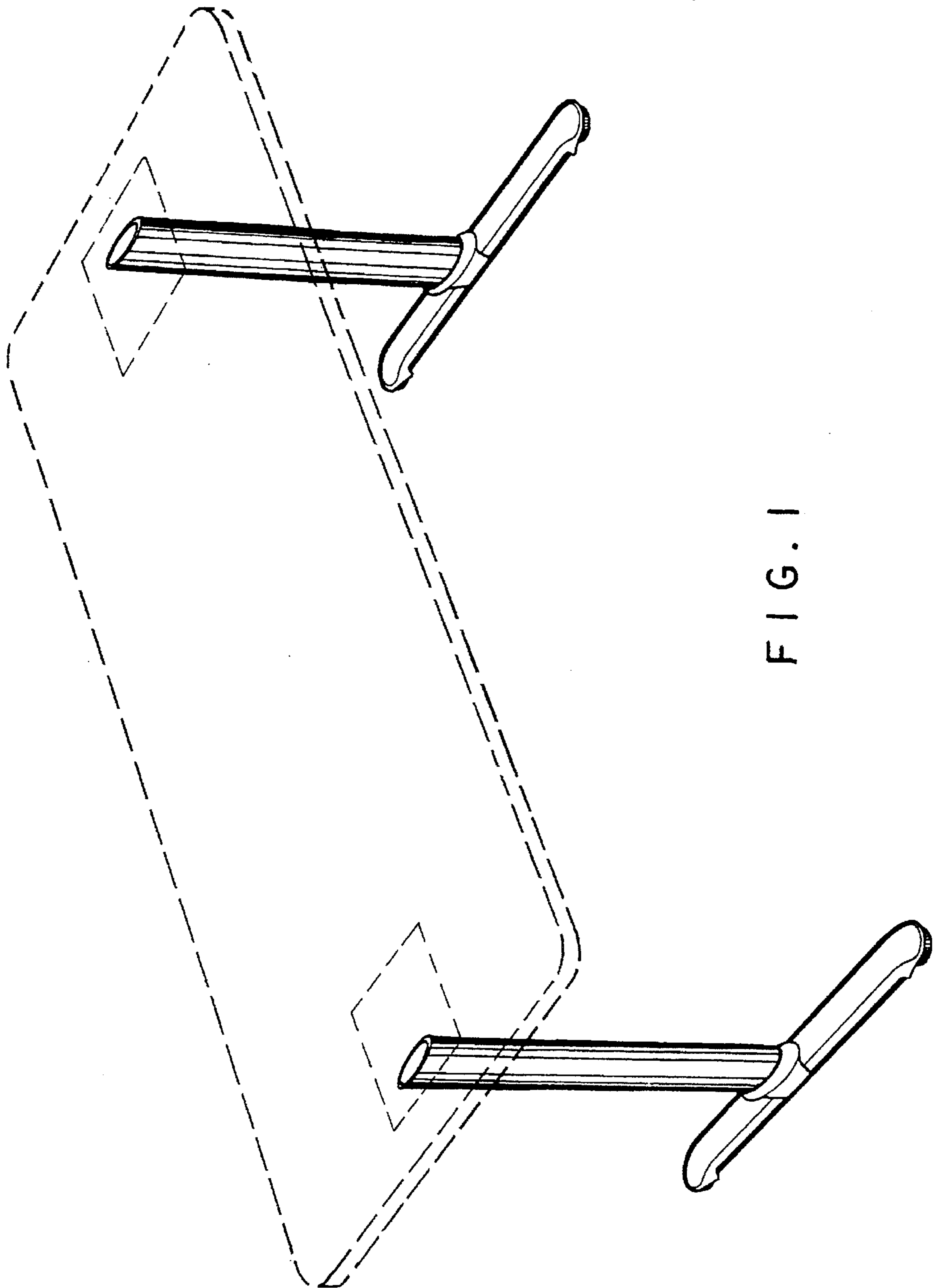


FIG. 1

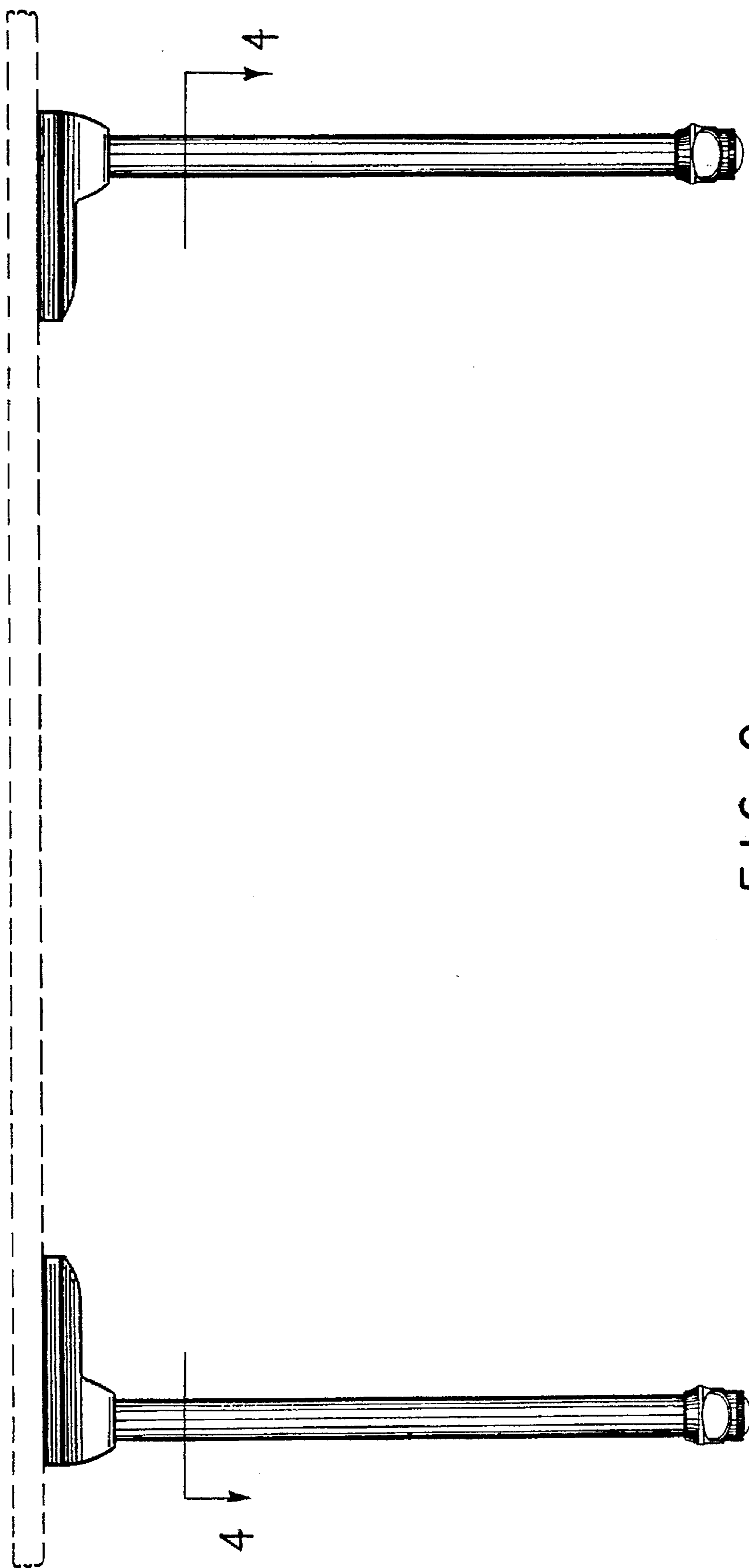


FIG. 2

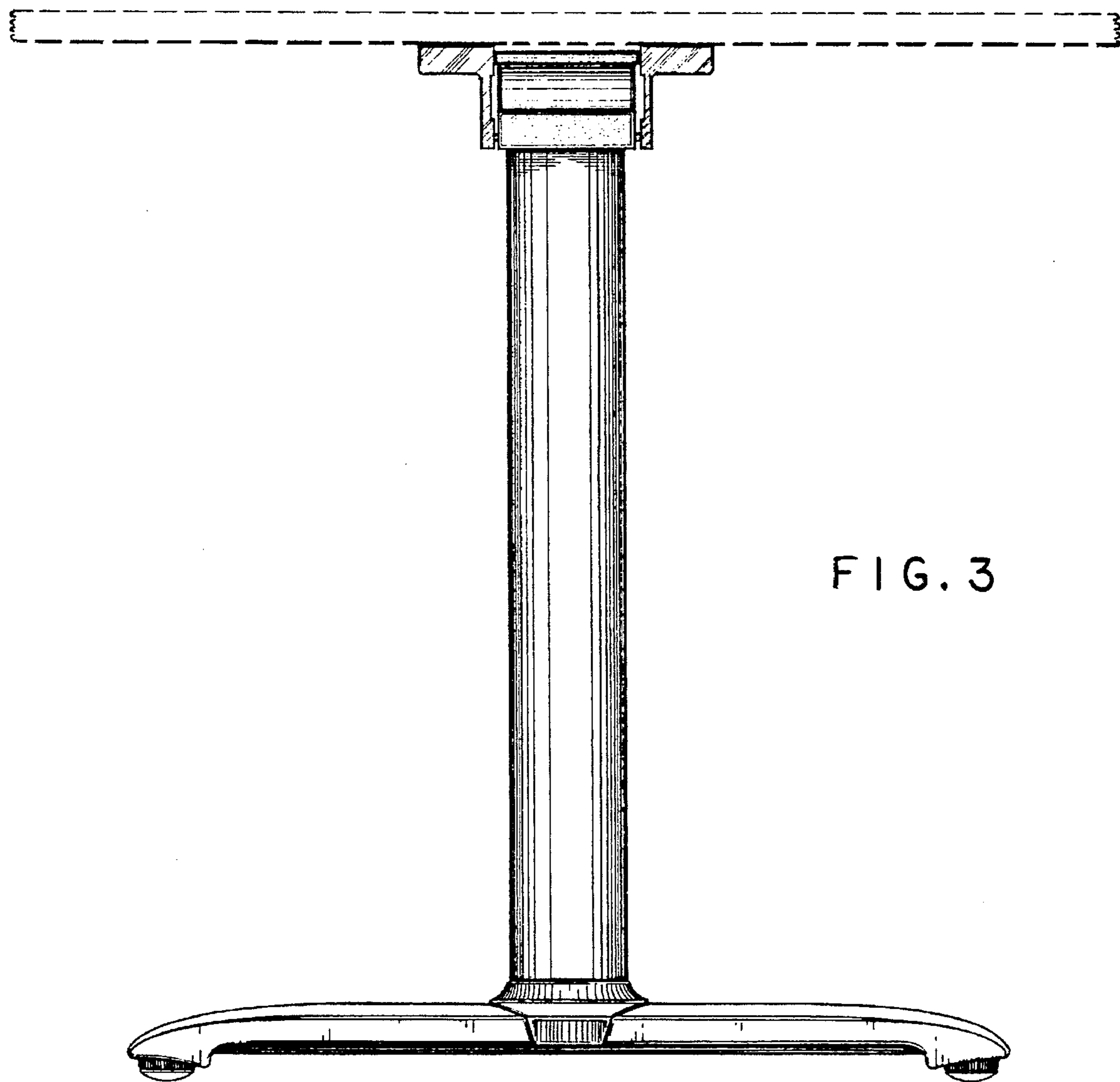


FIG. 3

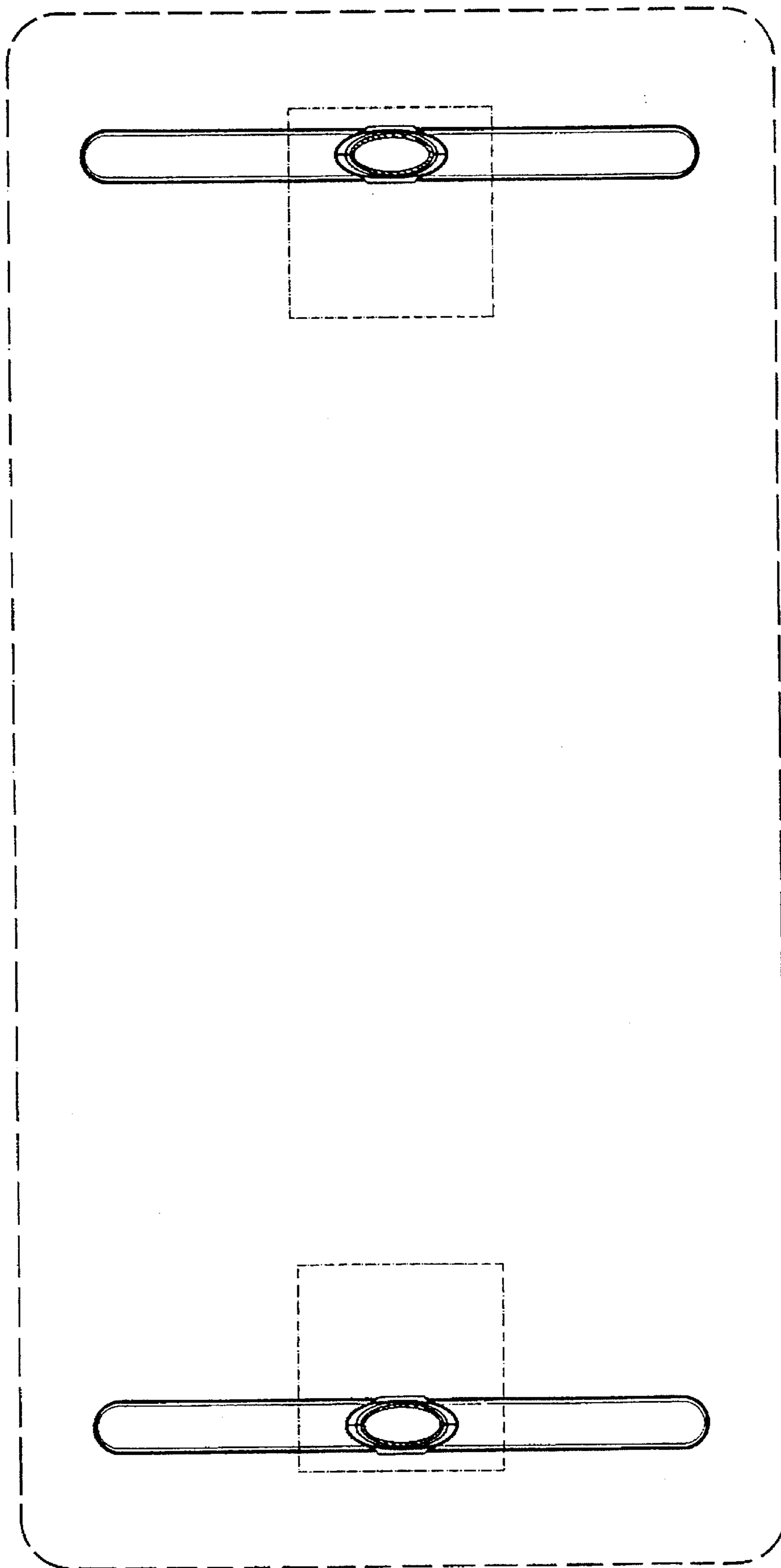


FIG. 4

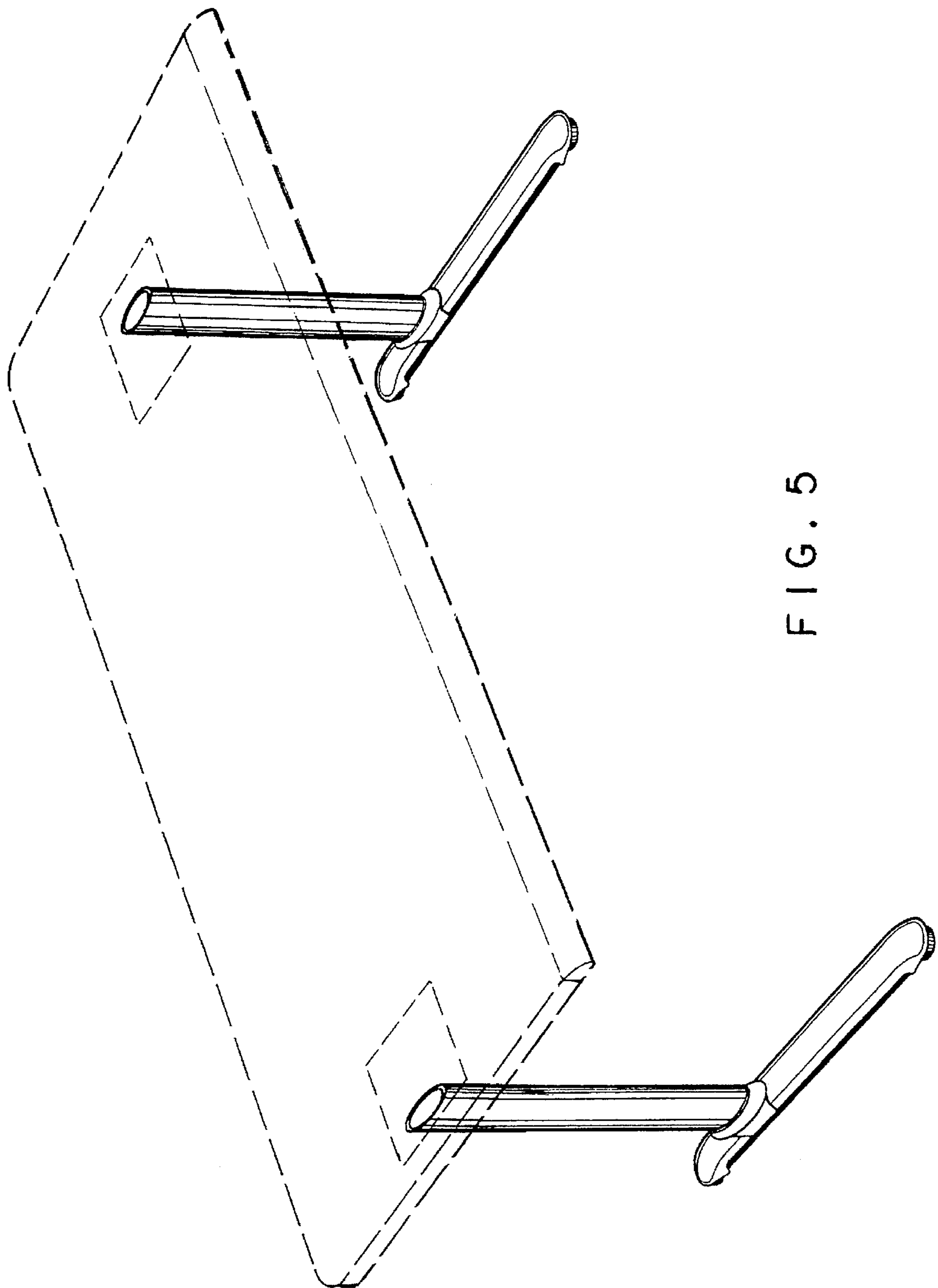


FIG. 5

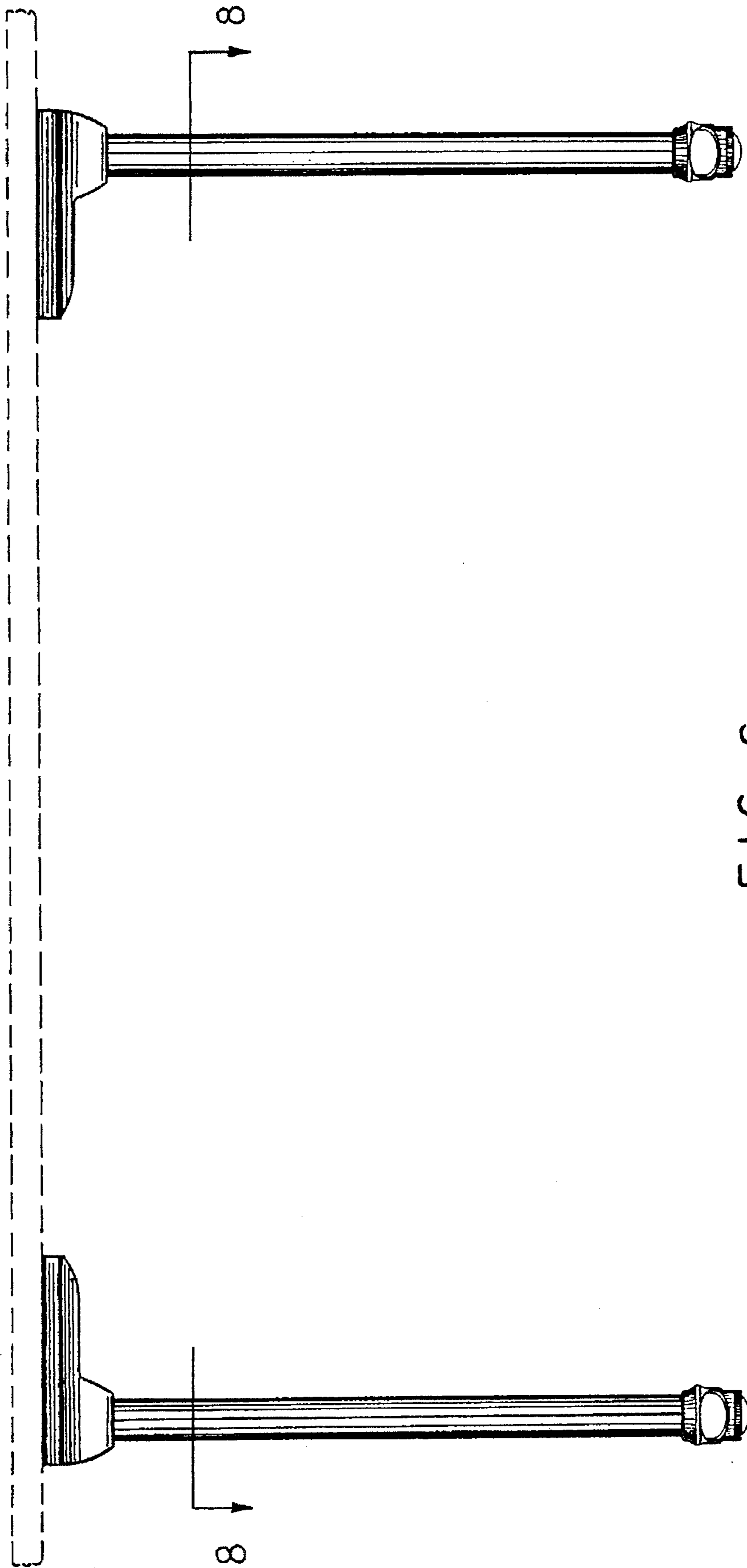


FIG. 6

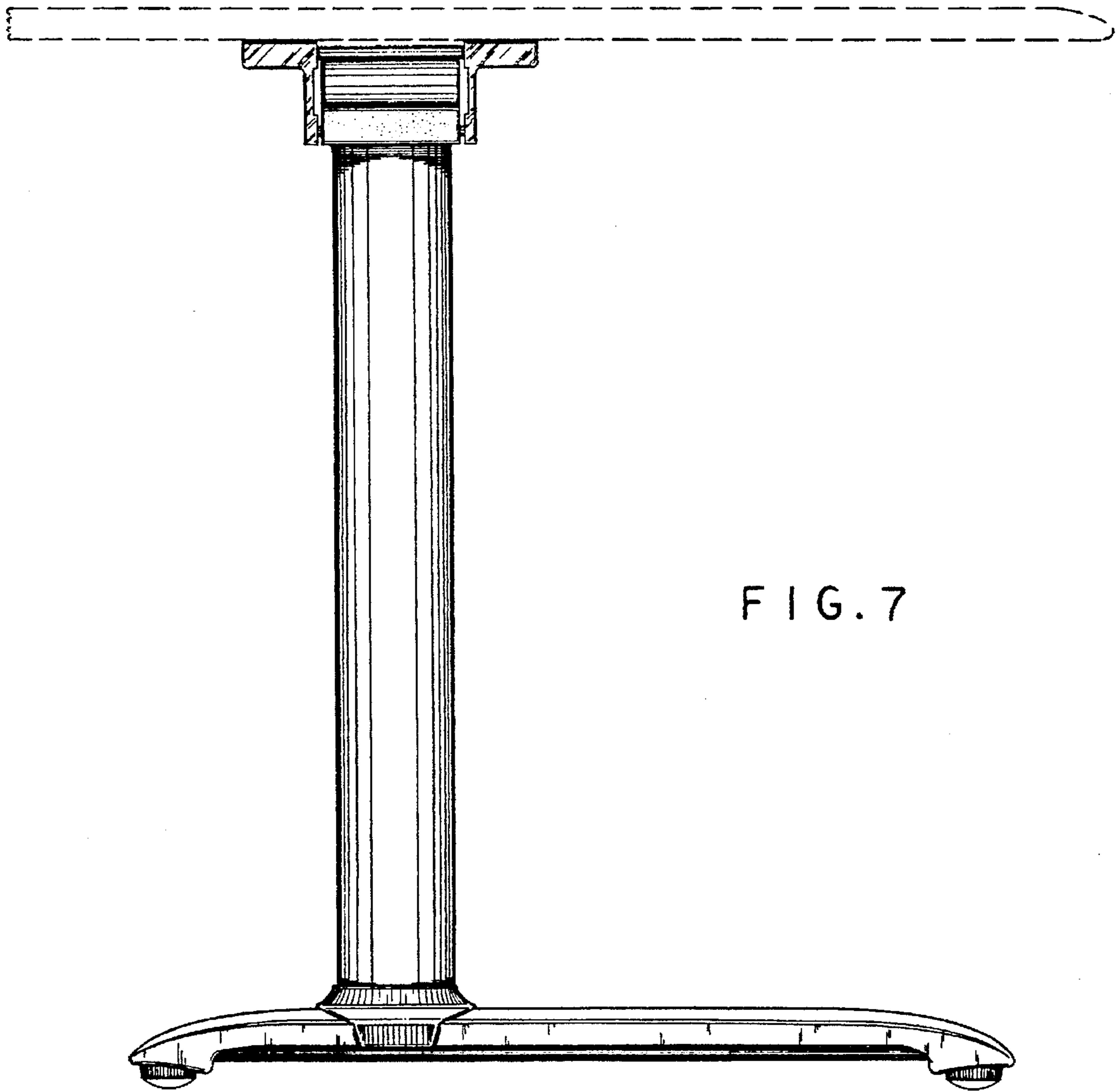


FIG. 7

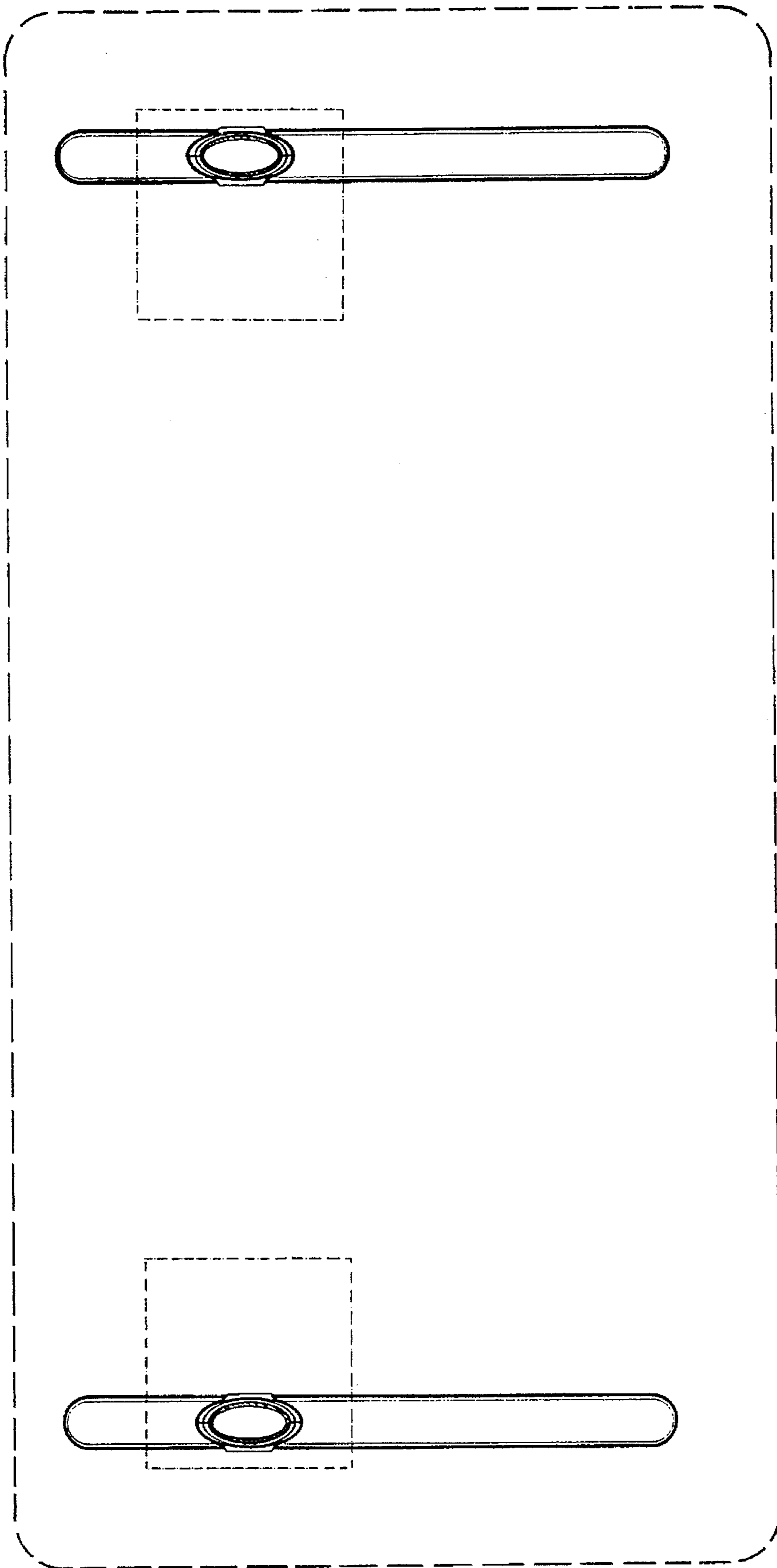


FIG. 8