



US00D380630S

United States Patent [19]
Ahrensburg

[11] **Patent Number:** **Des. 380,630**
[45] **Date of Patent:** ****Jul. 8, 1997**

[54] **COMPUTER TABLE**

[76] **Inventor:** **Fernando Gutierrez Ahrensburg,**
Tabasco No. 88, Colonia Roma, 06700,
Mexico City, Mexico

[**] **Term:** **14 Years**

[21] **Appl. No.:** **41,225**

[22] **Filed:** **Jun. 10, 1995**

[51] **LOC (6) Cl.** **06-03**

[52] **U.S. Cl.** **D6/486; D6/423; D6/427**

[58] **Field of Search** **D6/480-489, 495,**
D6/497, 499, 397, 423, 425, 427, 419,
420, 421; 108/25, 26, 150, 153, 161

[56] **References Cited**

U.S. PATENT DOCUMENTS

- D. 179,633 2/1957 Fox D6/420
- D. 353,279 12/1994 Funk D6/427 X
- D. 362,761 10/1995 Hood D6/423 X
- D. 365,223 12/1995 Pryor D6/419

OTHER PUBLICATIONS

Interior Design Market, Winter 1990, p. 51, table at bottom left.

Modern Office 1993-1994, p. 5, #F at bottom center.

Primary Examiner—Janice E. Seeger

Attorney, Agent, or Firm—Gregory S. Rosenblatt

[57] **CLAIM**

The ornamental design for a computer table, as shown and described.

DESCRIPTION

FIG. 1 is a top left front perspective view of a computer table showing my new design;

FIG. 2 is a front elevational view thereof;

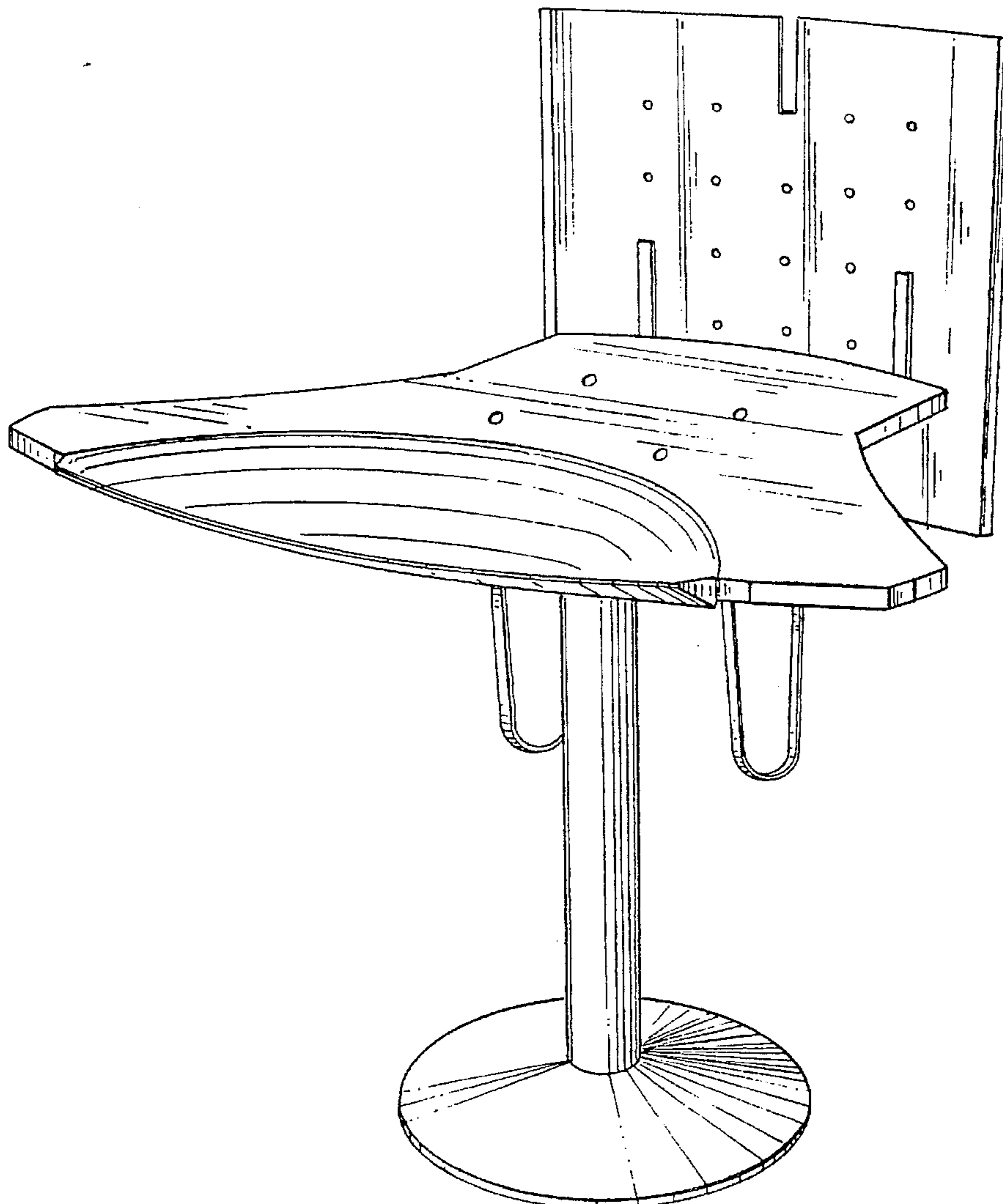
FIG. 3 is a right side elevational view thereof;

FIG. 4 is a left side elevational view thereof;

FIG. 5 is a top plan view thereof; and,

FIG. 6 is a bottom plan view thereof.

1 Claim, 4 Drawing Sheets



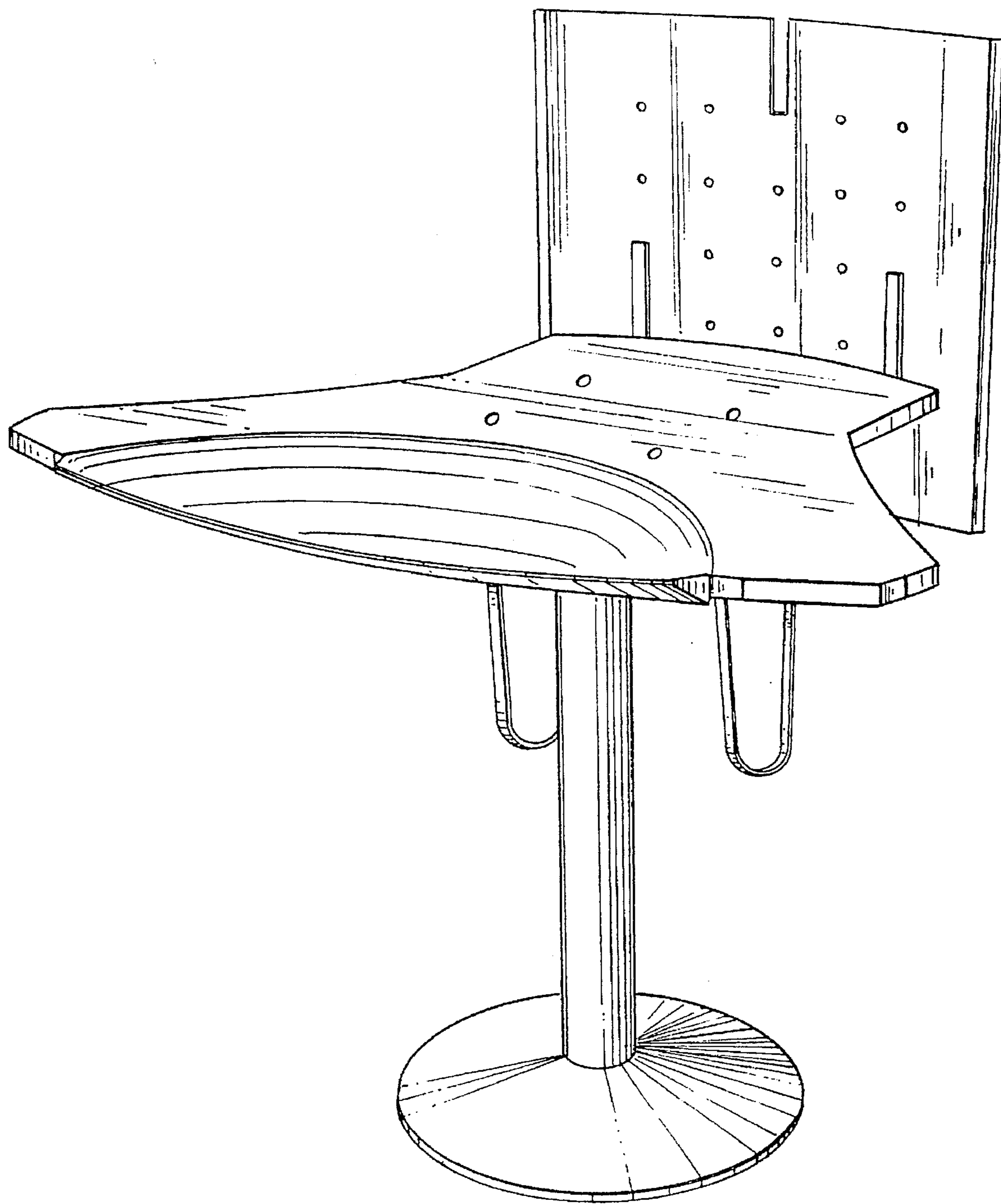


FIG-1

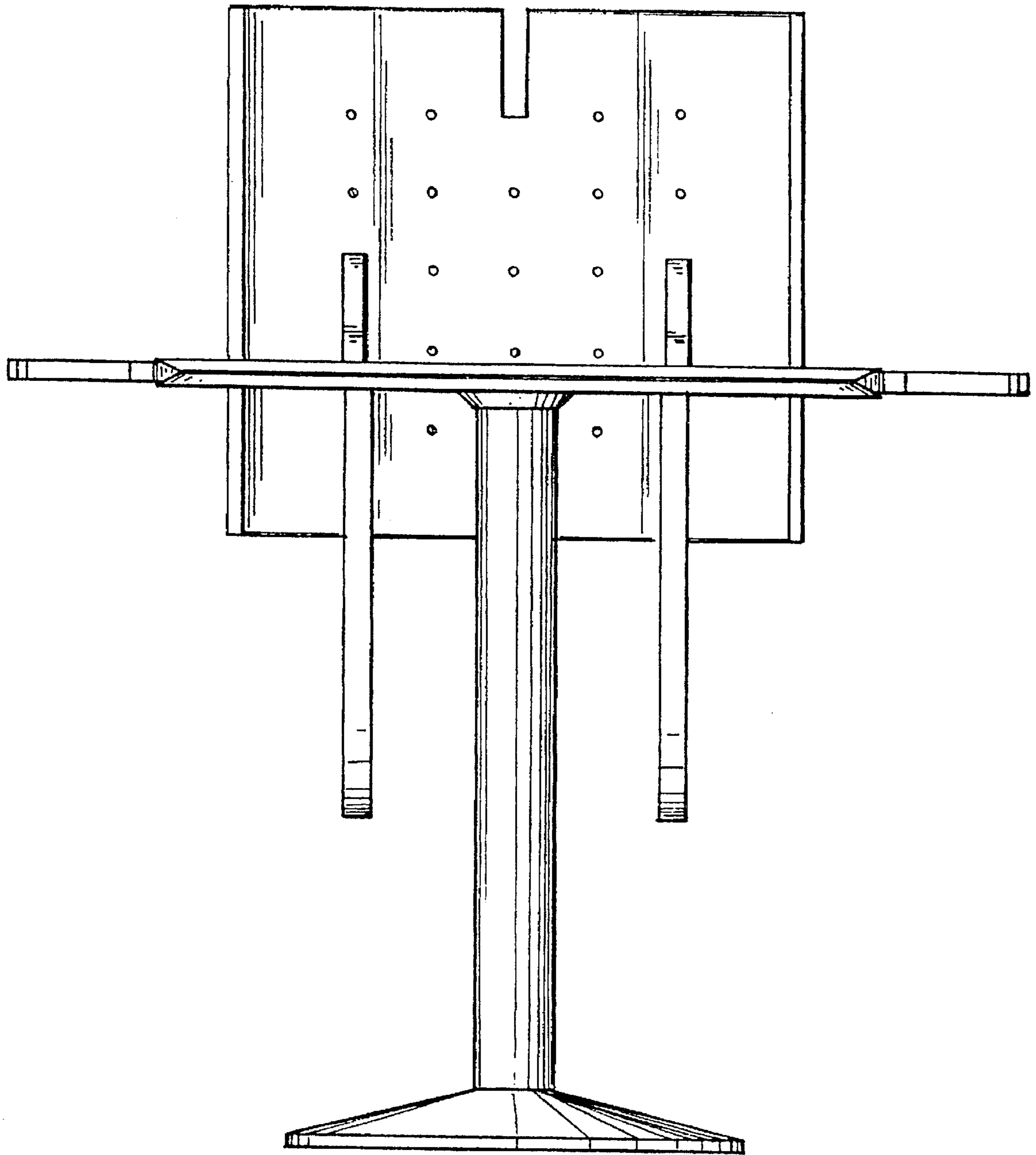


FIG -2

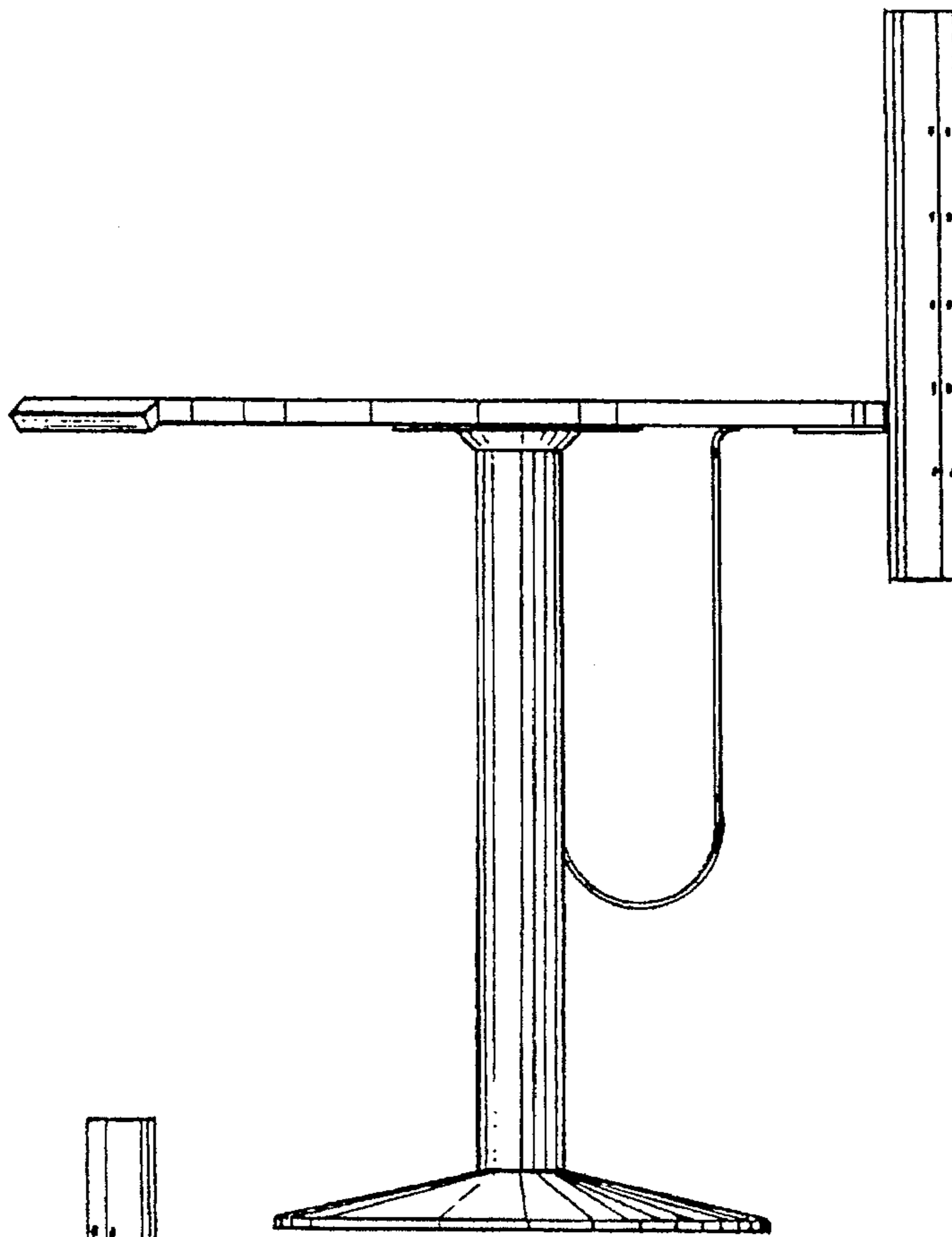


FIG - 3

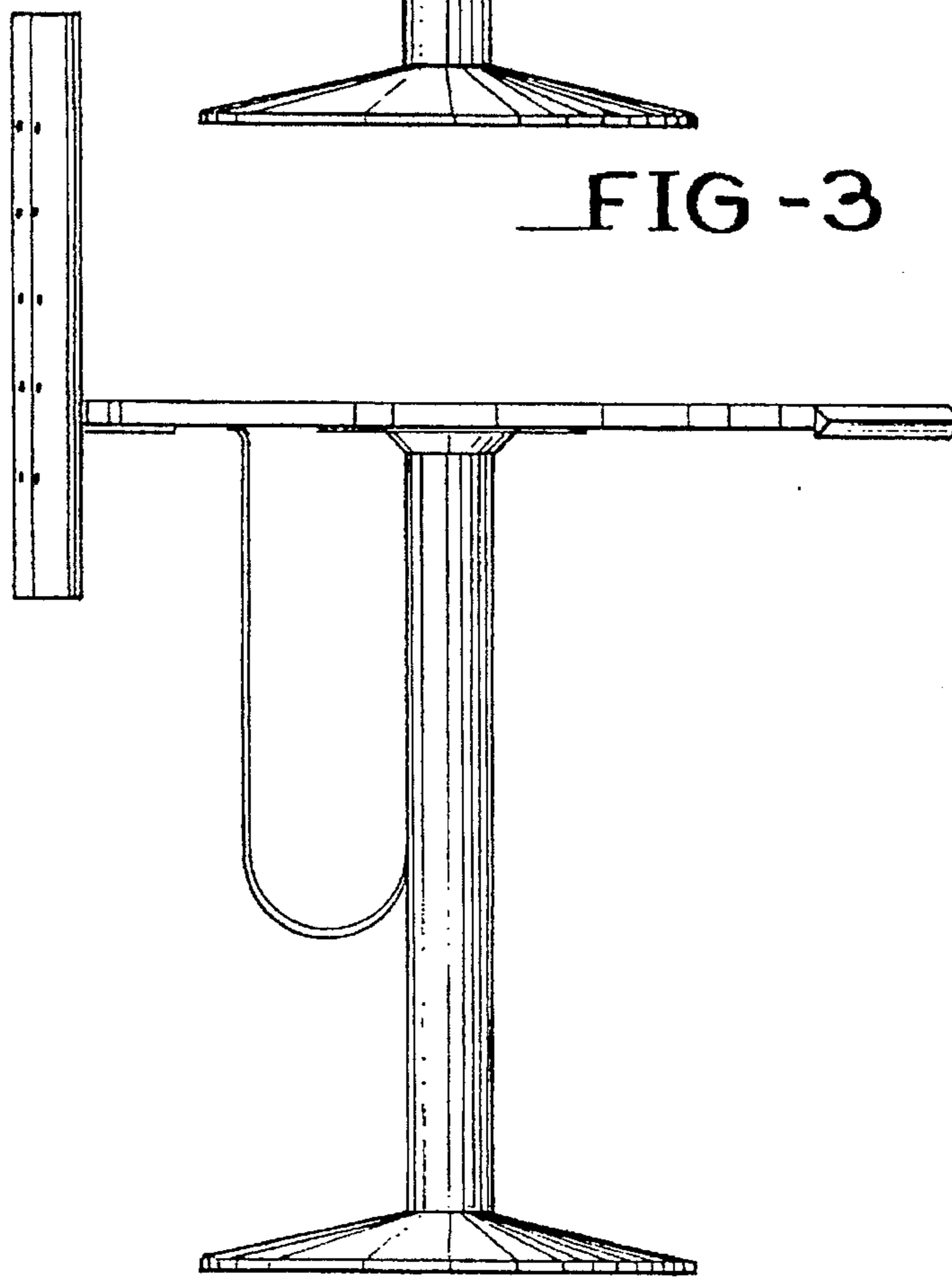


FIG - 4

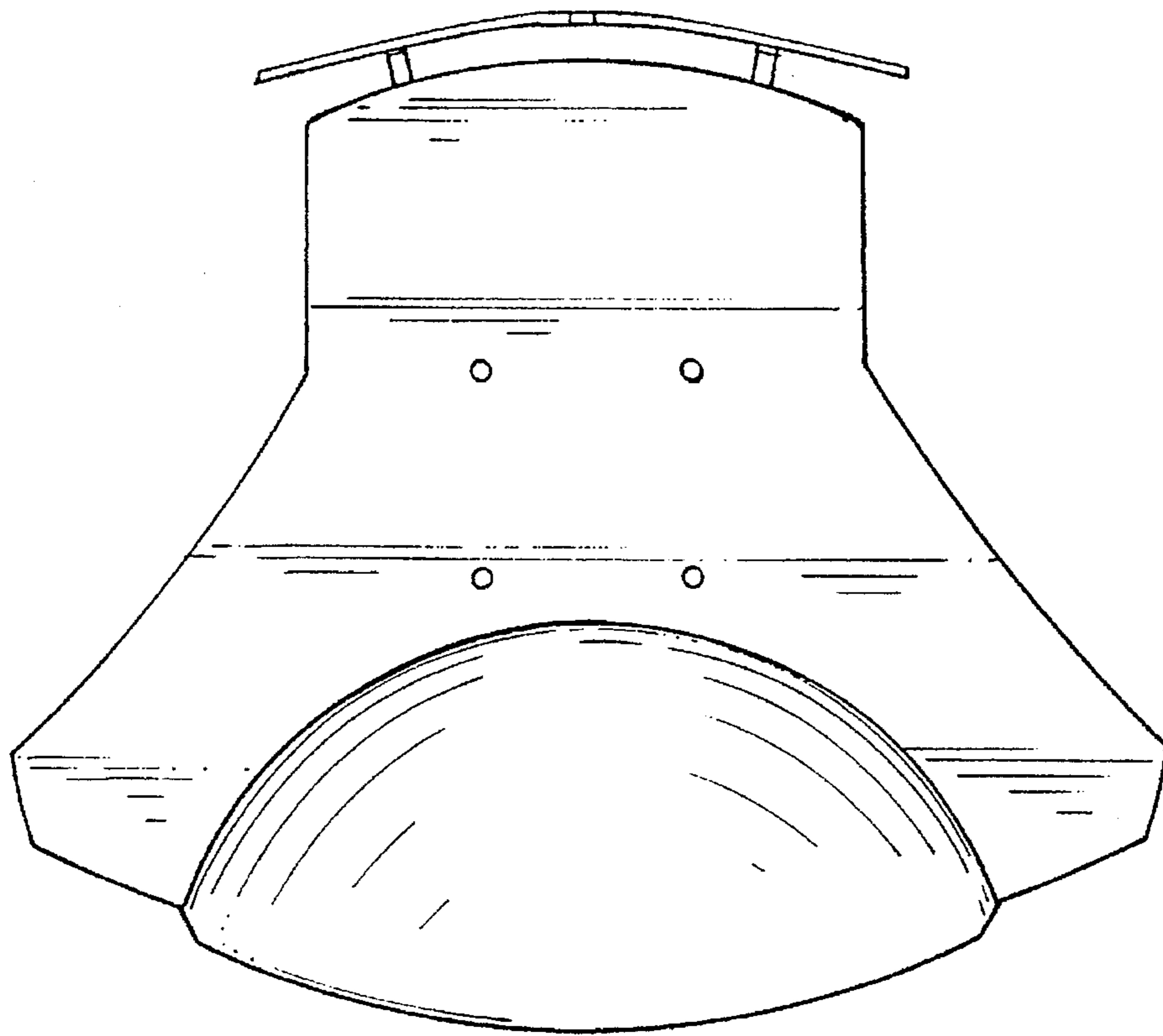


FIG-5

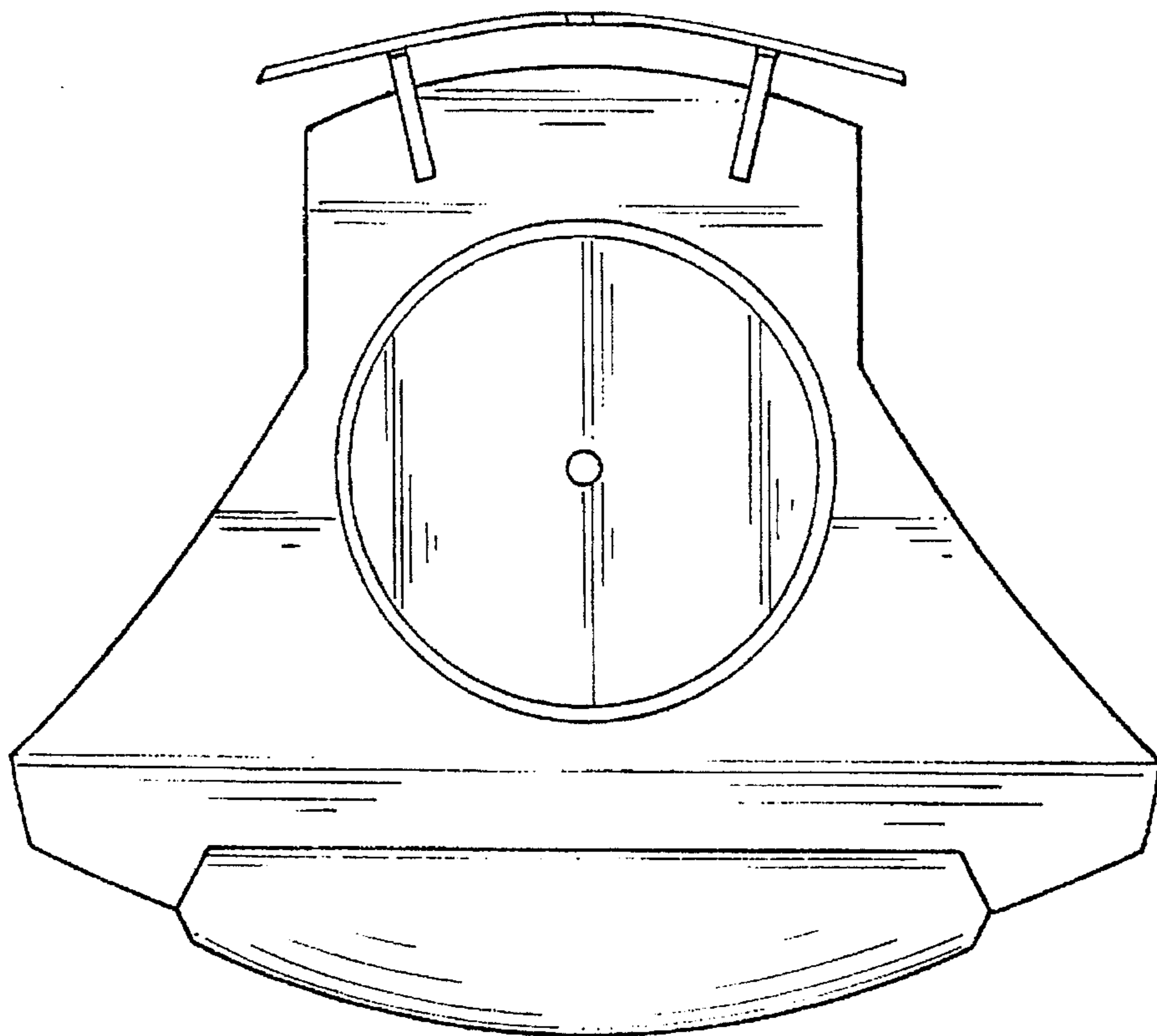


FIG-6