



US00D380629S

United States Patent [19]
Shinno

[11] **Patent Number: Des. 380,629**
[45] **Date of Patent: **Jul. 8, 1997**

[54] **STAND FOR EXHIBITING ARTICLES**

DESCRIPTION

[75] Inventor: **Kunihiko Shinno**, Okayama, Japan
[73] Assignee: **Chugoku Gazai Kabushiki Kaisha**,
Okayama, Japan
[**] Term: **14 Years**
[21] Appl. No.: **35,212**
[22] Filed: **Feb. 22, 1995**
[51] **LOC (6) Cl.** **20-02**
[52] **U.S. Cl.** **D6/449**
[58] **Field of Search** D6/449, 450, 451,
D6/466, 467, 310; D20/10; 248/467, 441.1,
454, 456, 460; 211/41

FIG. 1 is a top plan view of a stand for exhibiting articles showing my invention;
FIG. 2 is a bottom view thereof;
FIG. 3 is a front view thereof;
FIG. 4 is a rear view thereof;
FIG. 5 is a left side elevation view thereof, the right side being a mirror image;
FIG. 6 is a sectional view taken along the line A—A of FIG. 3;
FIG. 7 is a right side perspective view showing my stand in reduced scale, with an article on display shown in broken lines for illustrative purposes only and forming no part of the claimed design;
FIG. 8 is a right side perspective view showing my stand in reduced scale, with a different article on display shown in broken lines for illustrative purposes only and forming no part of the claimed design;
FIG. 9 is a top plan view of the leg of my stand, shown in exploded view for ease of illustration;
FIG. 10 is a left side elevation view thereof, the right side being a mirror image;
FIG. 11 is a front view thereof;
FIG. 12 is a bottom plan view thereof;
FIG. 13 is a bottom plan view of the support body for my stand, shown in exploded view for ease of illustration;
FIG. 14 is a top plan view thereof;
FIG. 15 is a rear view thereof;
FIG. 16 is a front view thereof;
FIG. 17 is a left side elevation view thereof; and,
FIG. 18 is a right side elevation view thereof.

[56] **References Cited**

U.S. PATENT DOCUMENTS

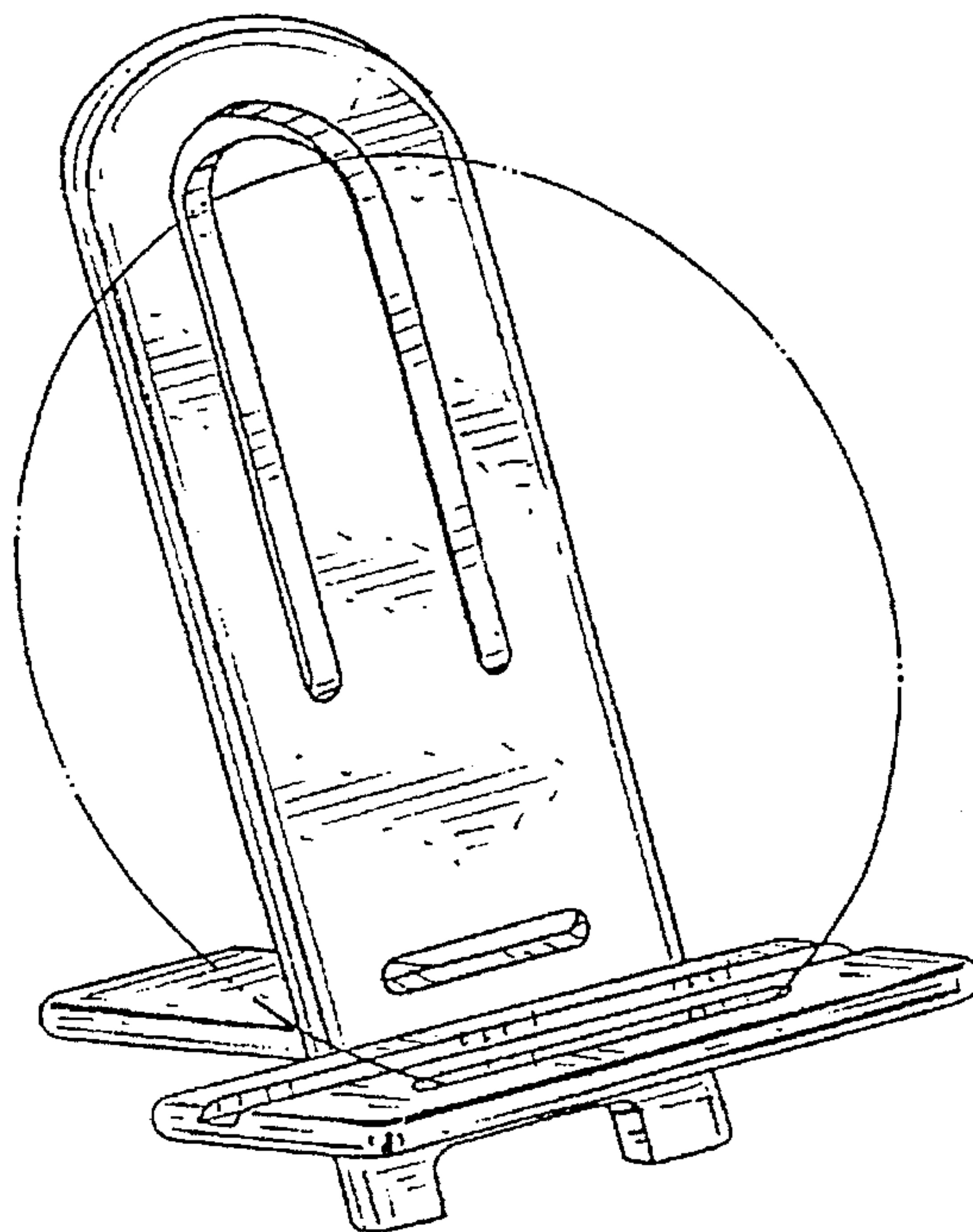
D. 46,314	8/1914	Levy	D6/310
D. 163,153	5/1951	Westernacher	D6/467
D. 209,358	11/1967	Semler	D6/466
D. 221,505	8/1971	Roston	D20/10
D. 274,682	7/1984	Segel	D6/466 X
D. 289,233	4/1987	Cadman	D6/310 X
D. 295,351	4/1988	Splane et al.	D6/467
D. 336,375	6/1993	Cohn et al.	D6/310
3,282,437	11/1966	Hansen	D6/466 X

Primary Examiner—B. J. Bullock
Assistant Examiner—Linda Brooks
Attorney, Agent, or Firm—Arant, Kleinberg, Lerner & Ram, LLP

[57] **CLAIM**

The ornamental design for a stand for exhibiting articles, as shown and described.

1 Claim, 6 Drawing Sheets



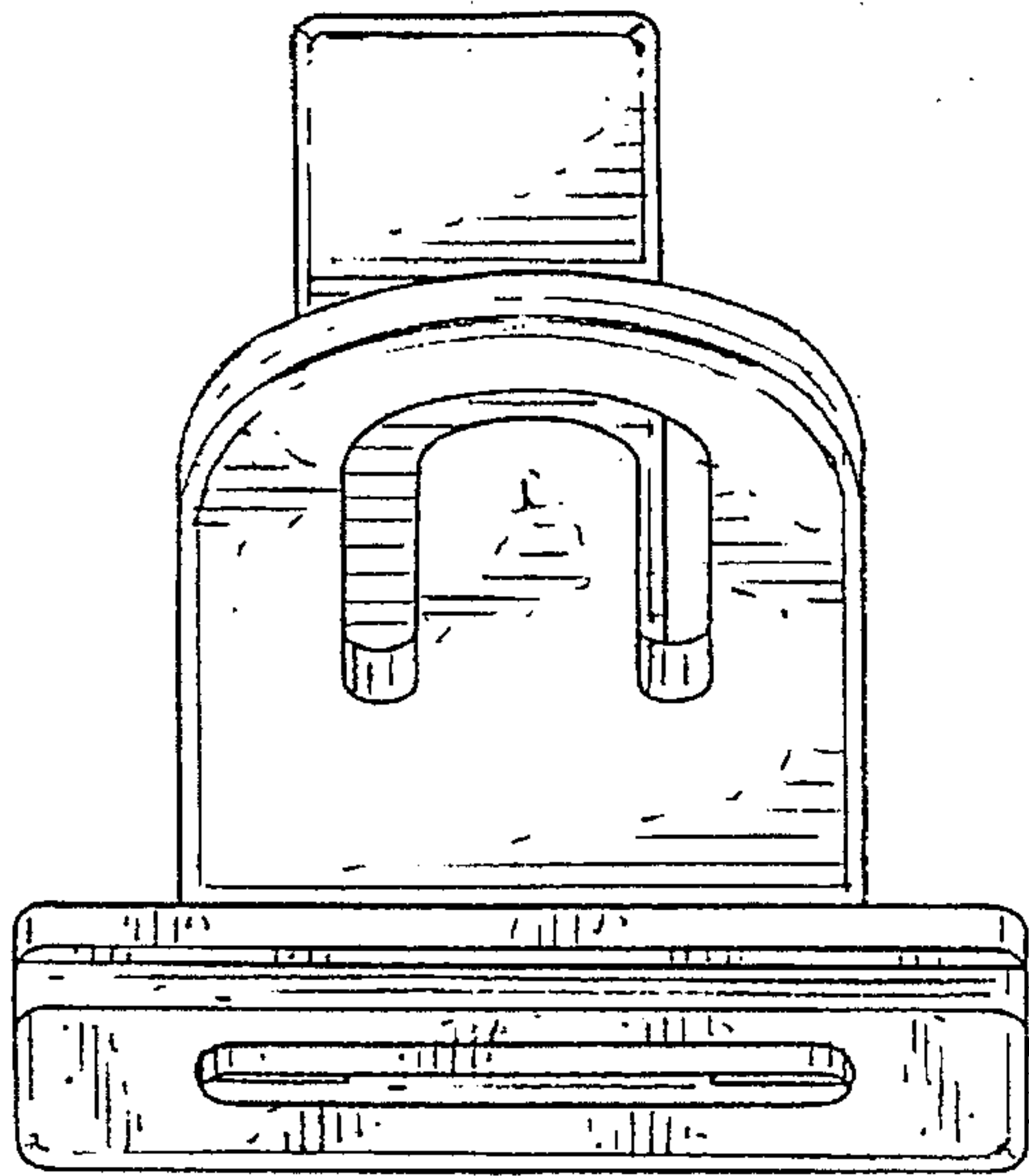


Fig. 1.

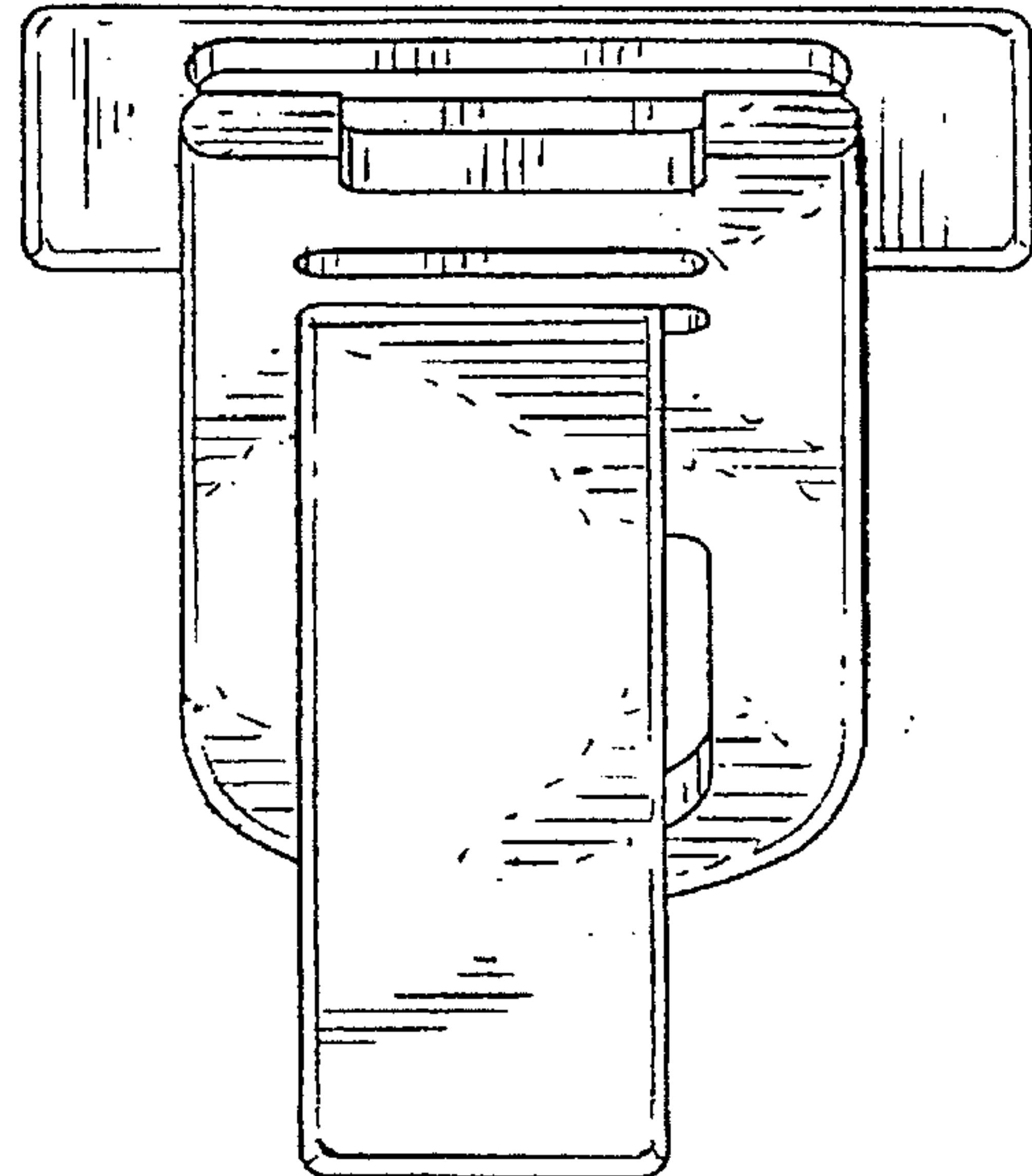
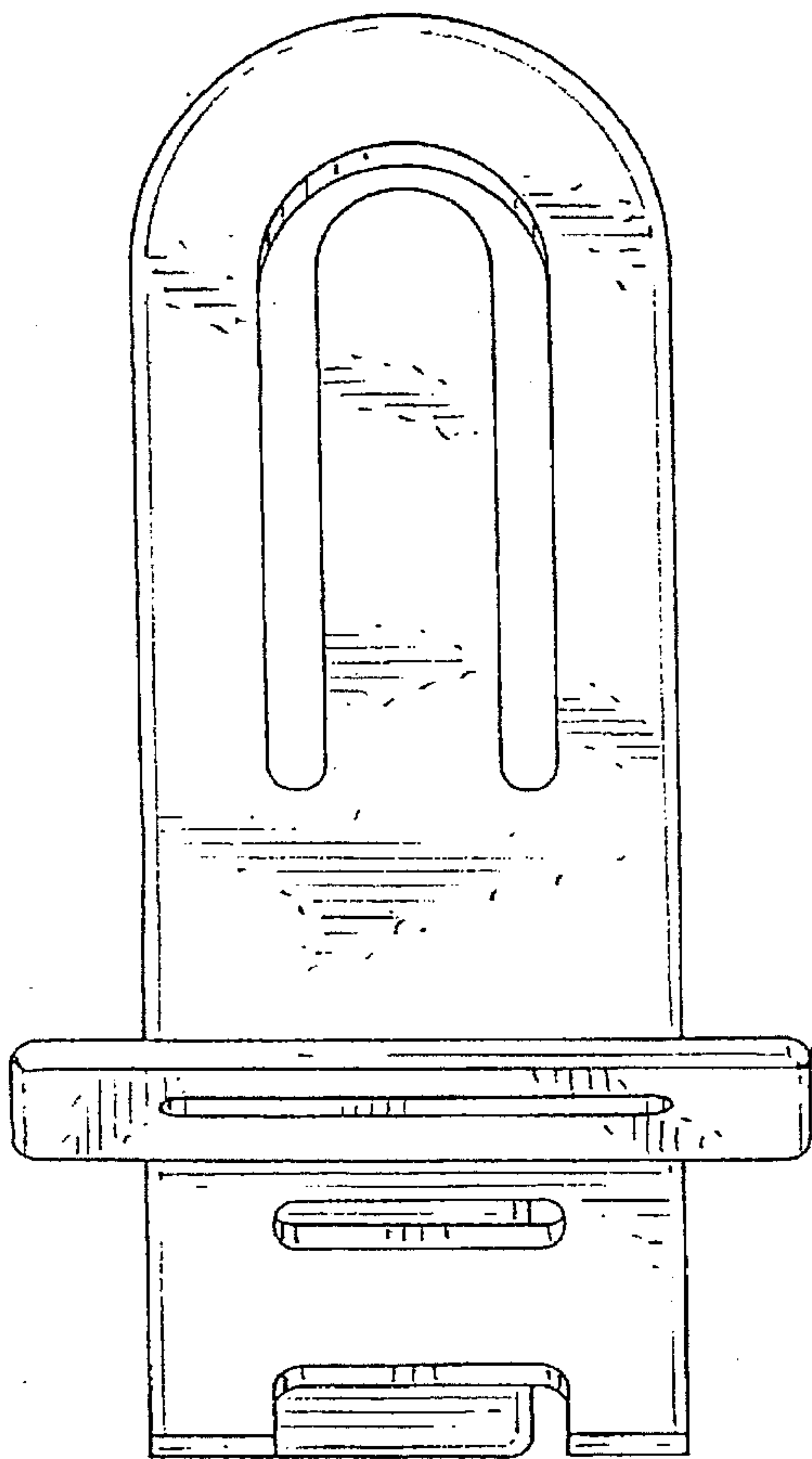


Fig. 2.

6 →



6 →

Fig. 3

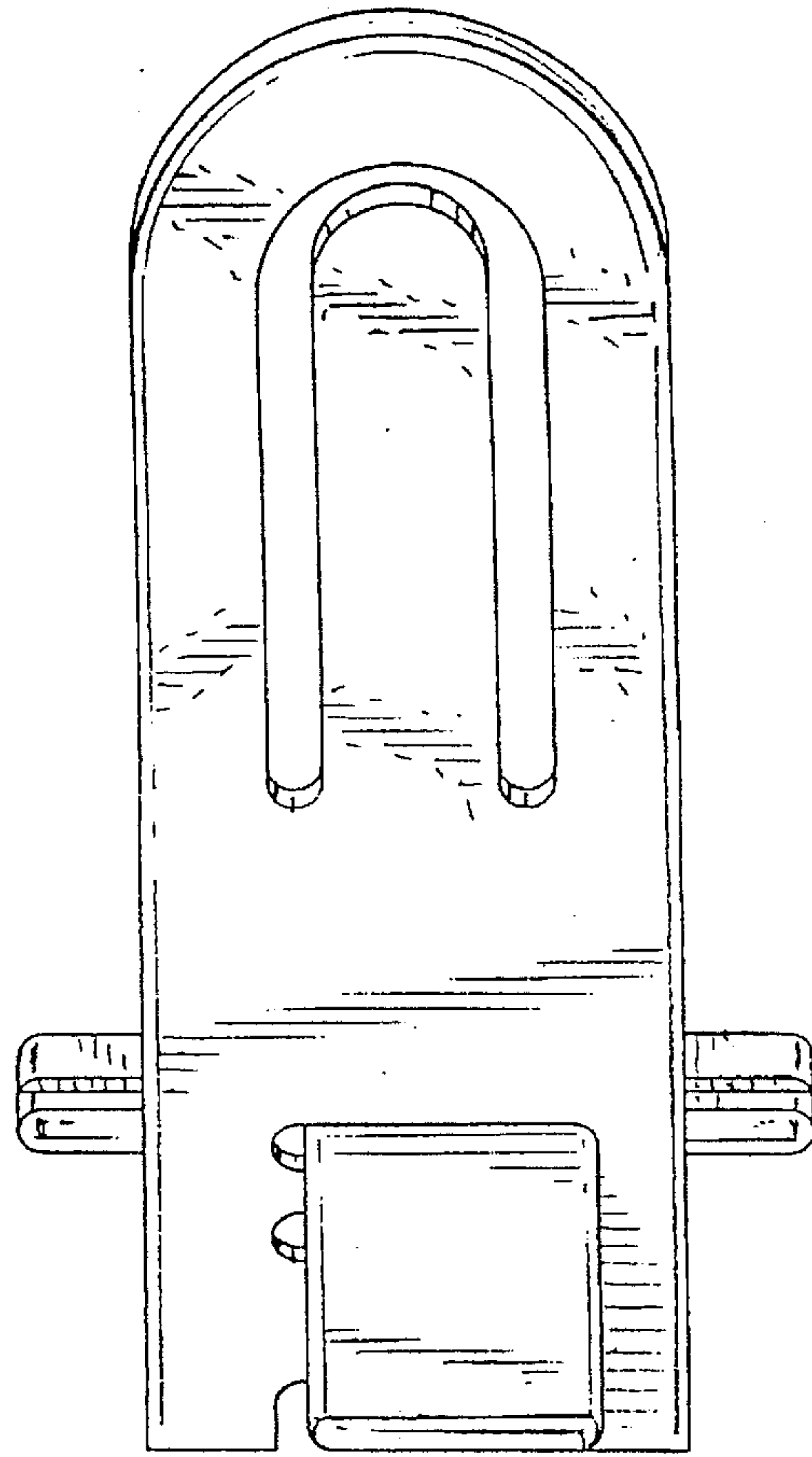


Fig. 4.

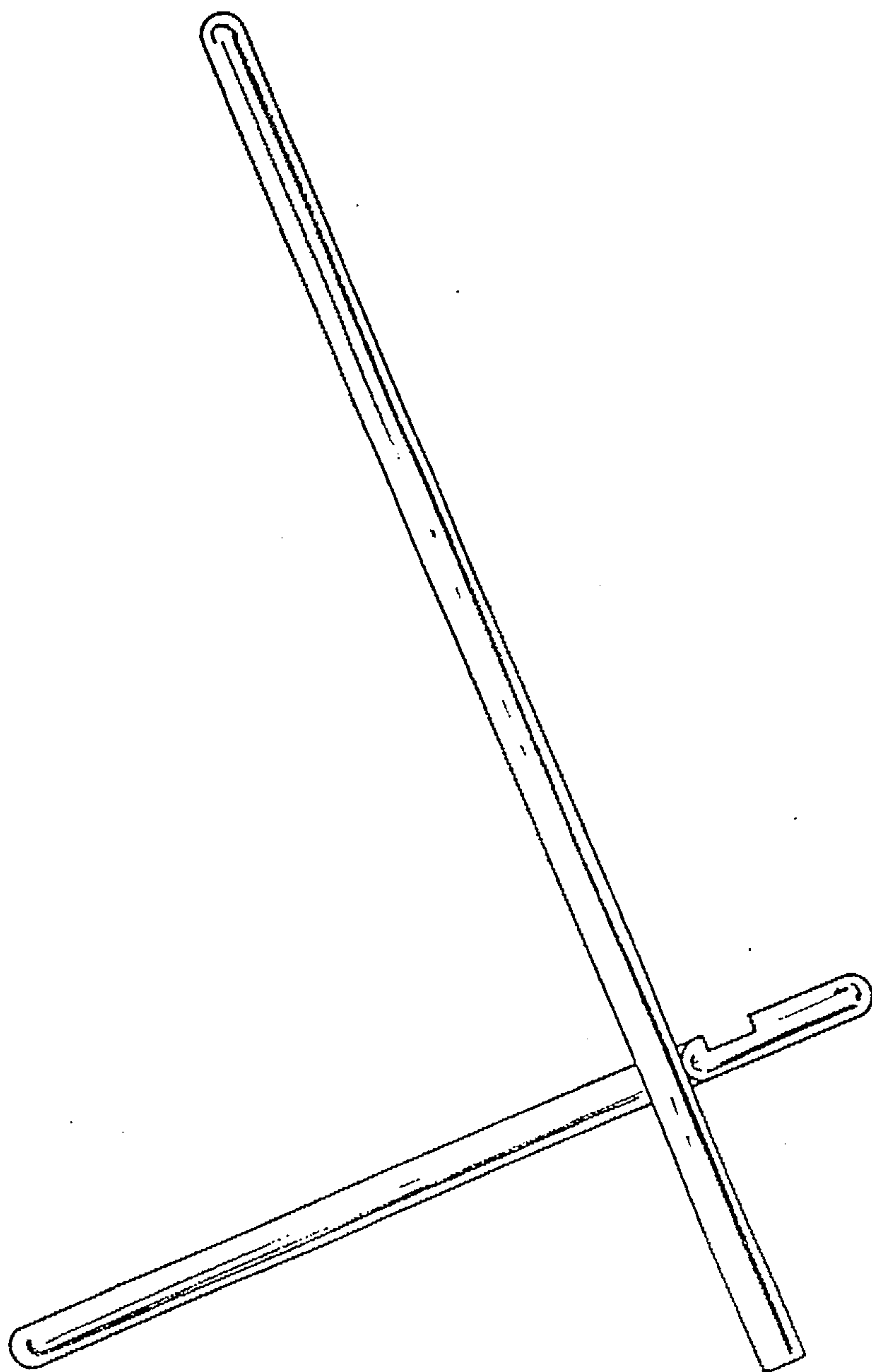


Fig. 5.

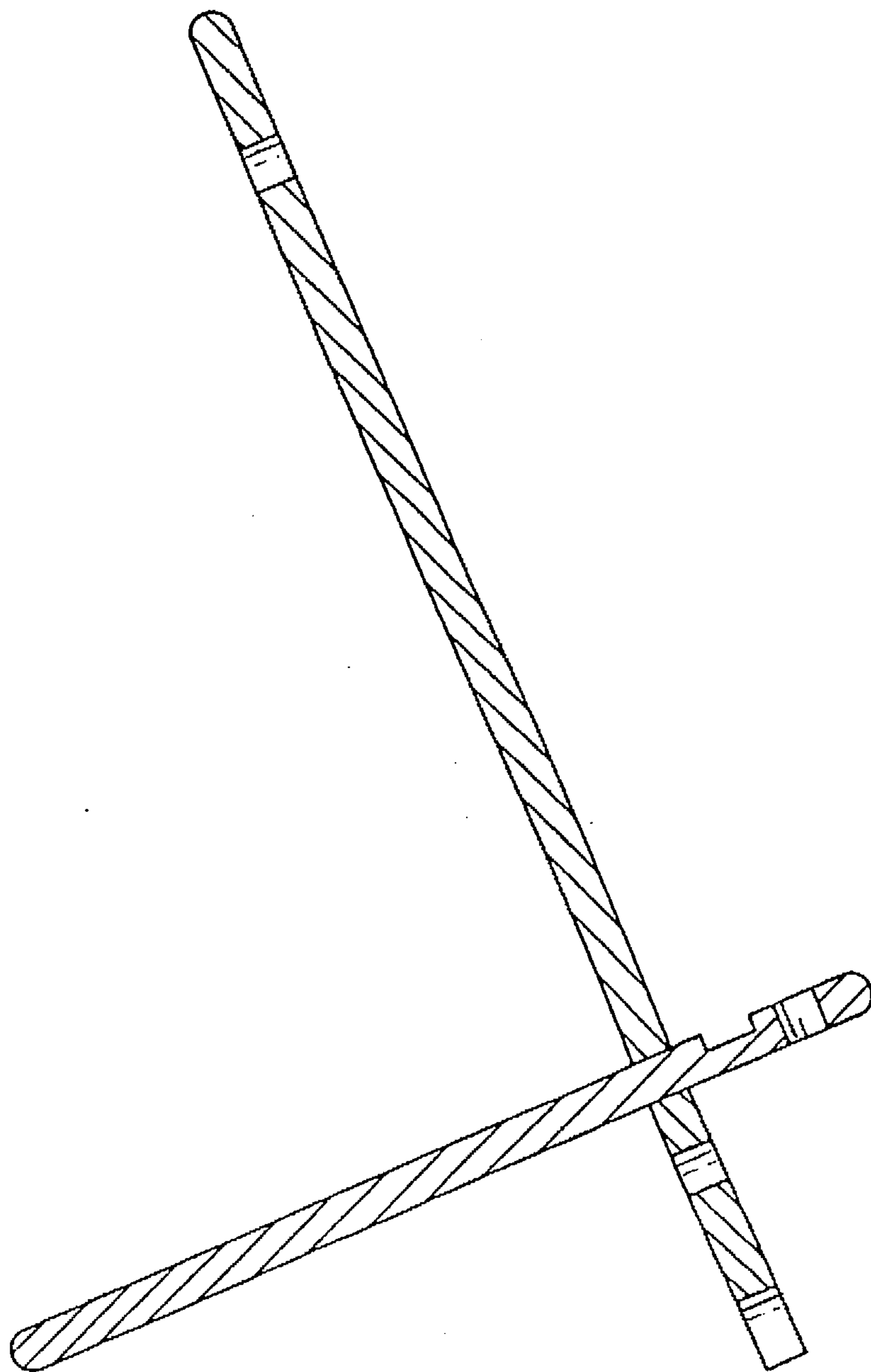


Fig. 6.

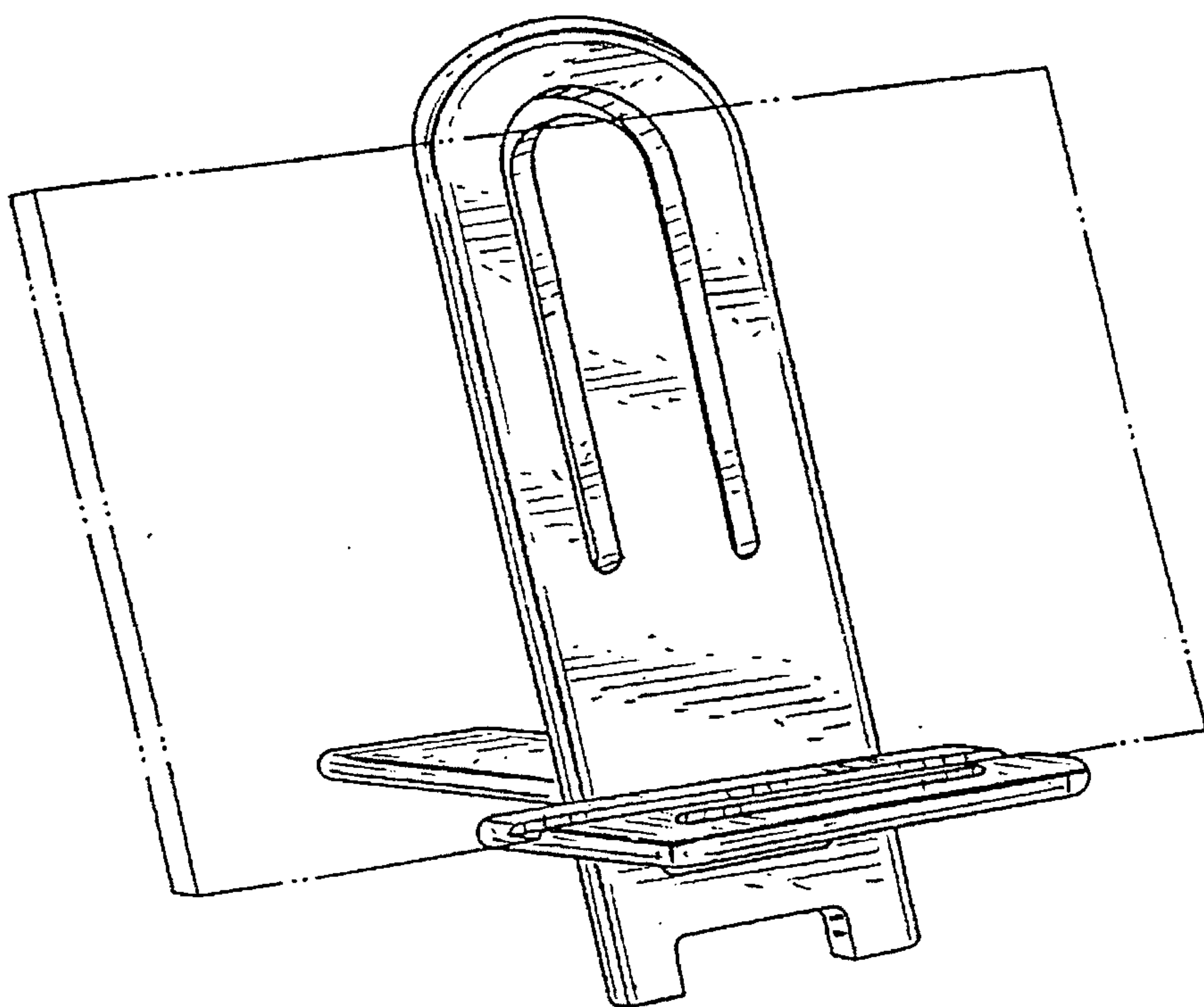


Fig. 7.

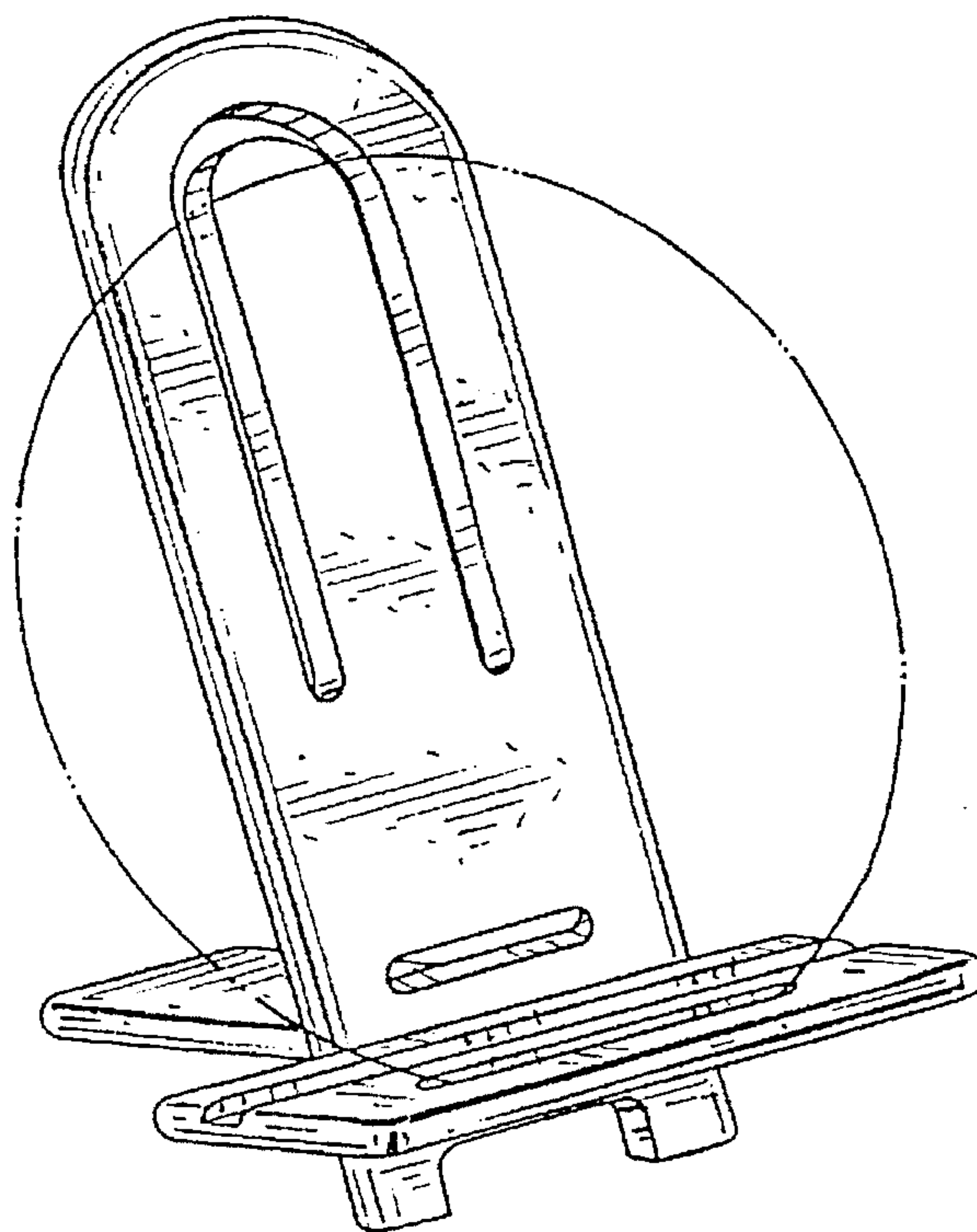


Fig. 8.

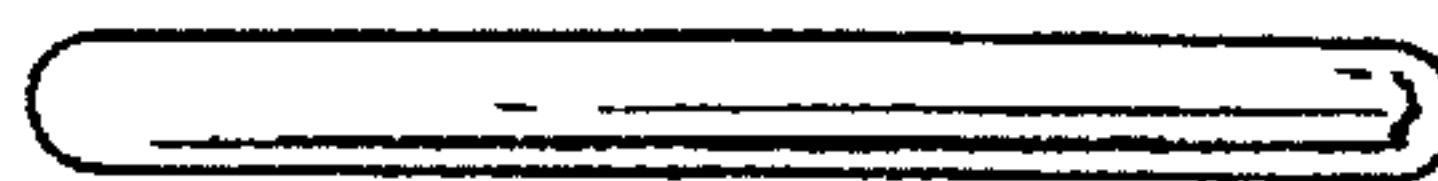


Fig. 9.



Fig. 10.

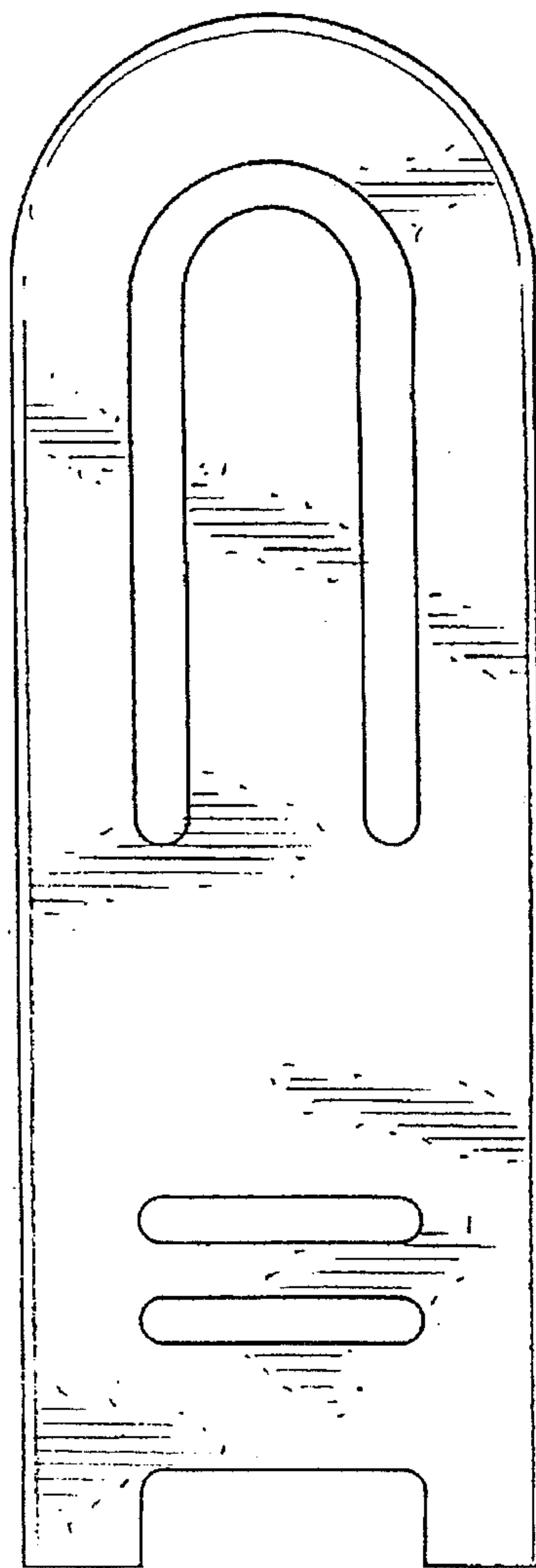


Fig. 11.



Fig. 12.

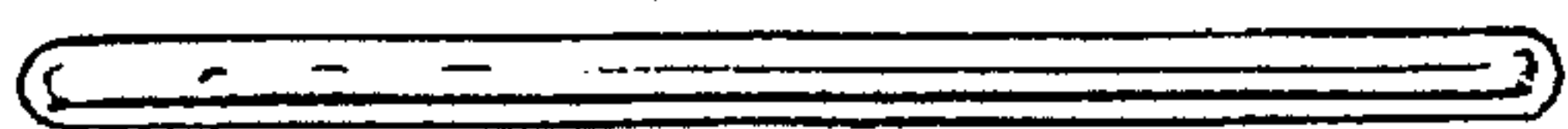


Fig. 13.

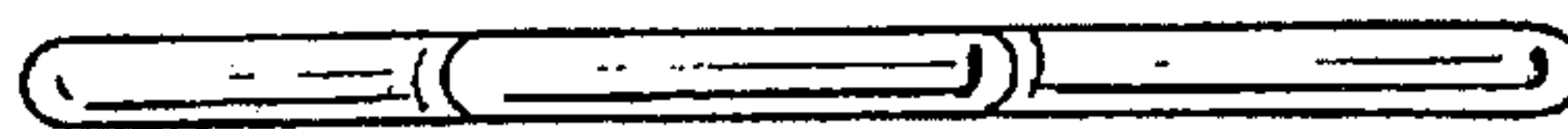


Fig. 14.

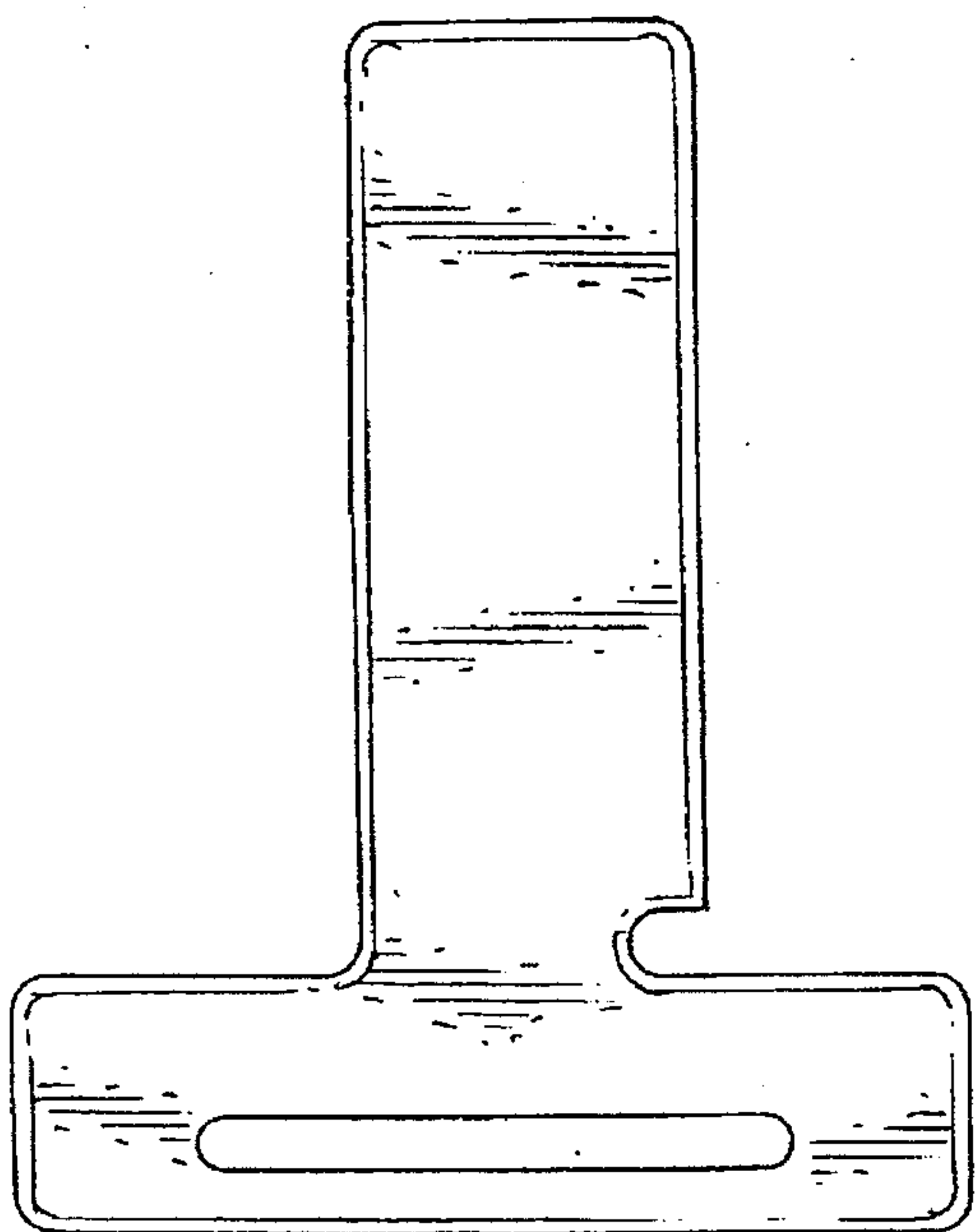


Fig. 15.

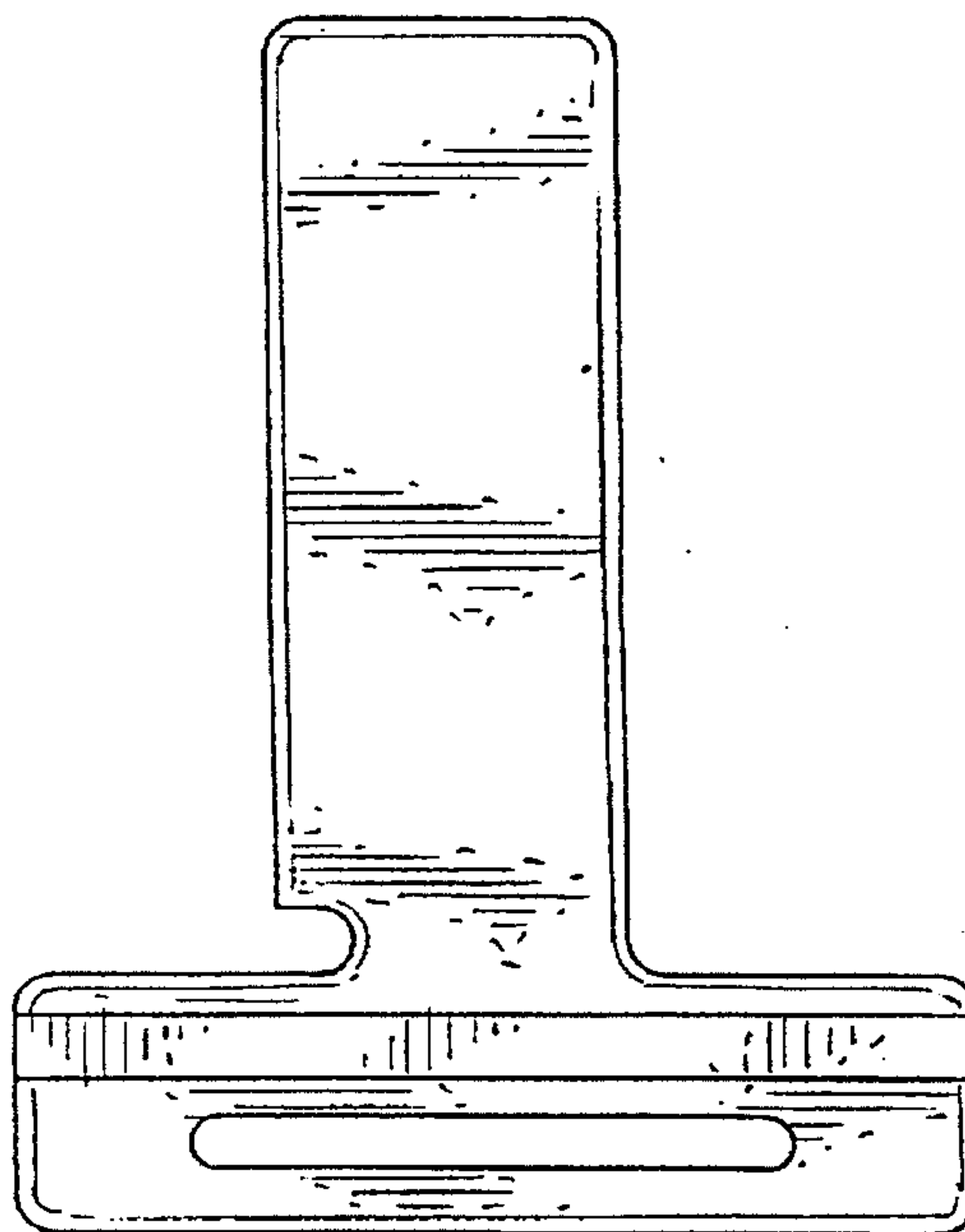


Fig. 16.



Fig. 17.



Fig. 18.