



US00D380624S

United States Patent [19]
Mezger

[11] **Patent Number: Des. 380,624**

[45] **Date of Patent: **Jul. 8, 1997**

[54] **DESK**

[75] **Inventor: Wolfgang C. R. Mezger, Eislingen, Germany**

[73] **Assignee: Wilhelm Renz GmbH & Co., Germany**

[**] **Term: 14 Years**

[21] **Appl. No.: 54,035**

[22] **Filed: May 6, 1996**

Related U.S. Application Data

[62] **Division of Ser. No. 36,675, Mar. 24, 1995.**

Foreign Application Priority Data

Sep. 28, 1994 [DE] Germany M9407813.0

[51] **LOC (6) Cl. 06-04**

[52] **U.S. Cl. D6/422**

[58] **Field of Search D6/480-489, 495, D6/498, 499, 422, 428, 423; 108/184; 312/194-196**

[56] **References Cited**

U.S. PATENT DOCUMENTS

D. 169,320	4/1953	Knoll	D6/422
D. 180,224	5/1957	Delynn	D6/422
D. 299,196	1/1989	Frinier	D6/499
D. 303,882	10/1989	Sottsas et al.	D6/428 X
D. 354,643	1/1995	Hansel et al.	D6/484

OTHER PUBLICATIONS

DIA, ©1988, p. 52, #7111-8 desk at right.

Primary Examiner—Janice E. Seeger

Attorney, Agent, or Firm—Walter A. Hackler

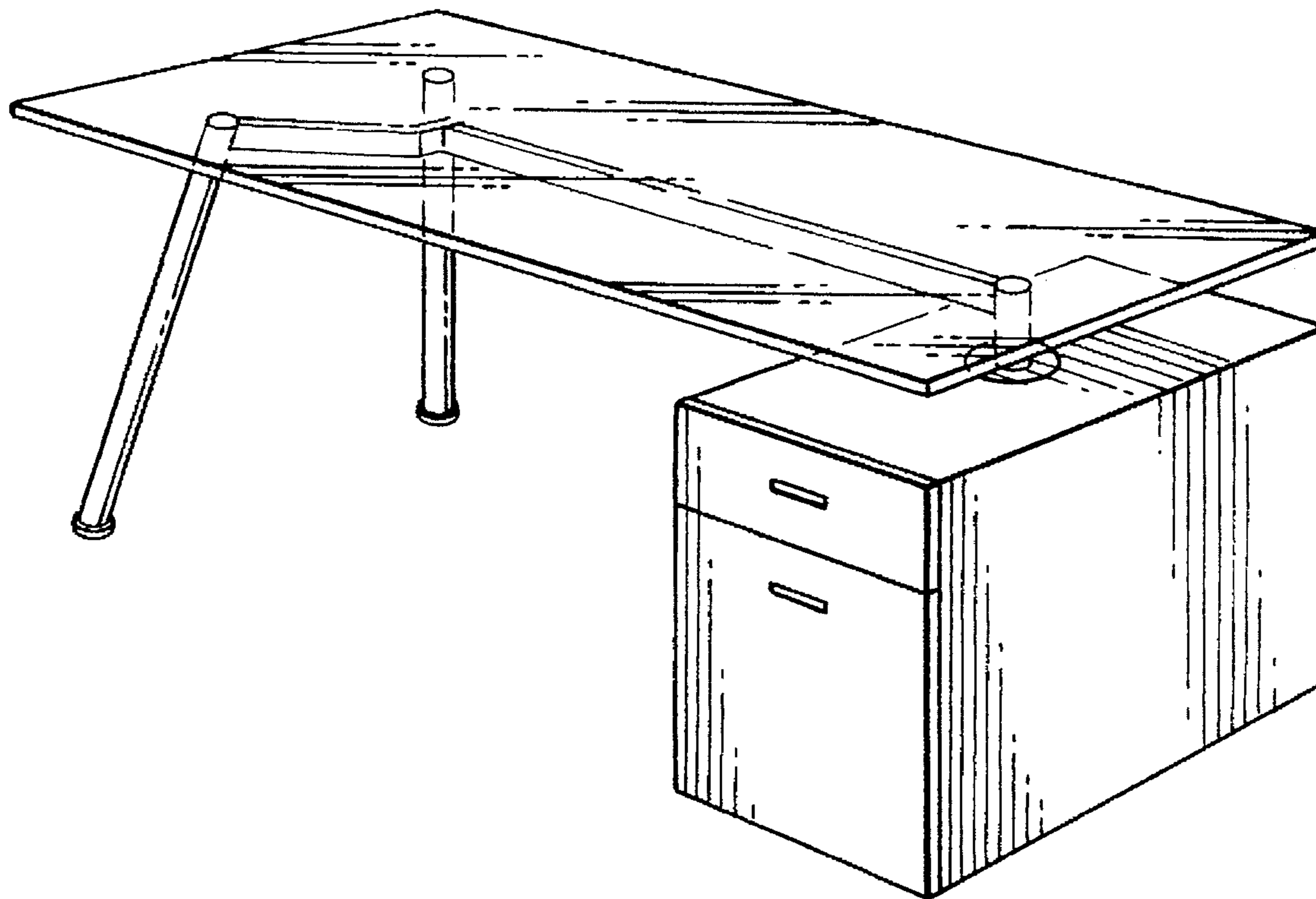
[57] **CLAIM**

The ornamental design for a desk, as shown and described.

DESCRIPTION

FIG. 1 is a perspective view showing my new design;
FIG. 2 is a top view thereof;
FIG. 3 is a back view thereof;
FIG. 4 is a side view thereof; and,
FIG. 5 is a bottom view thereof.

1 Claim, 1 Drawing Sheet



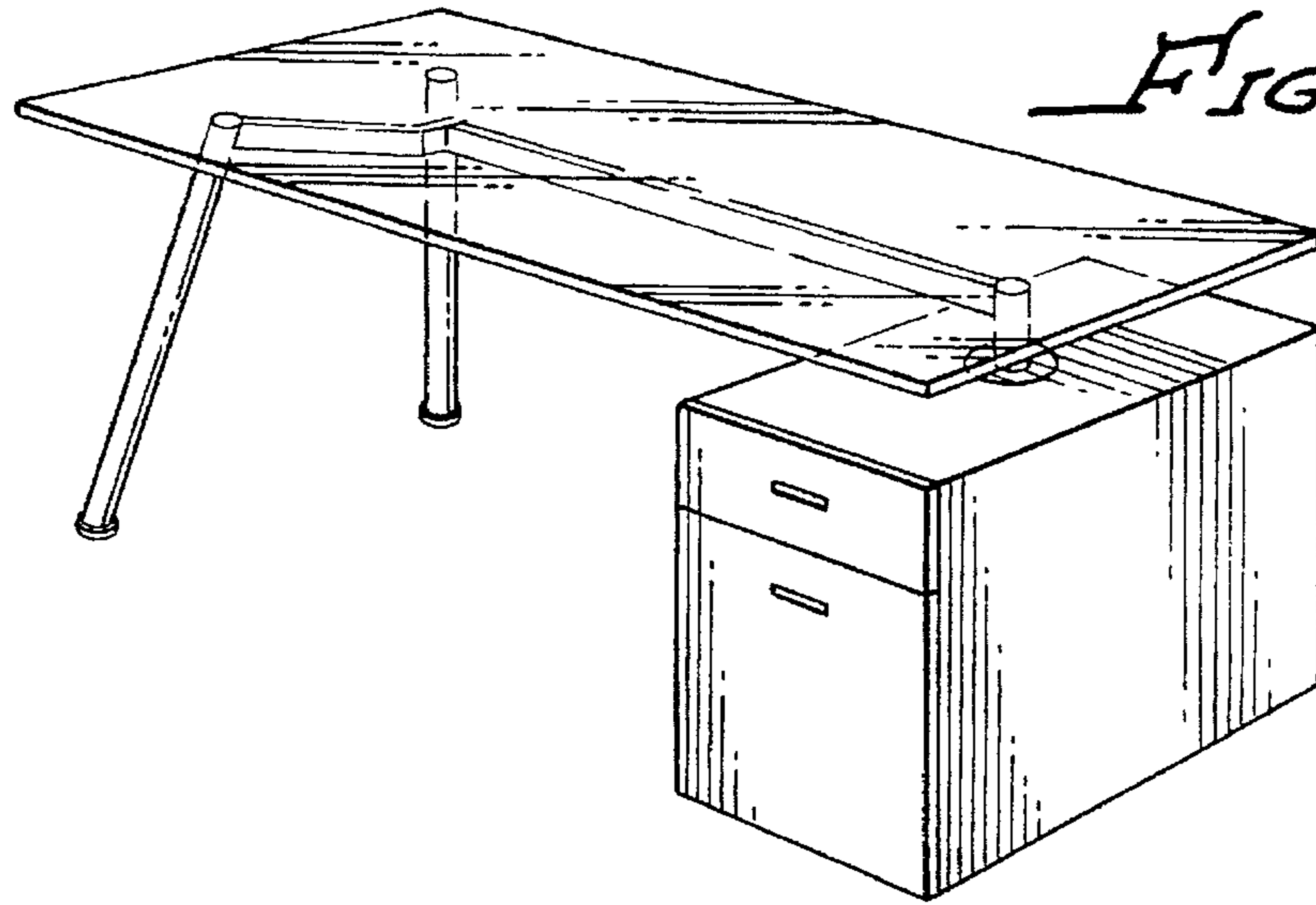


FIG. 1.

FIG. 2.

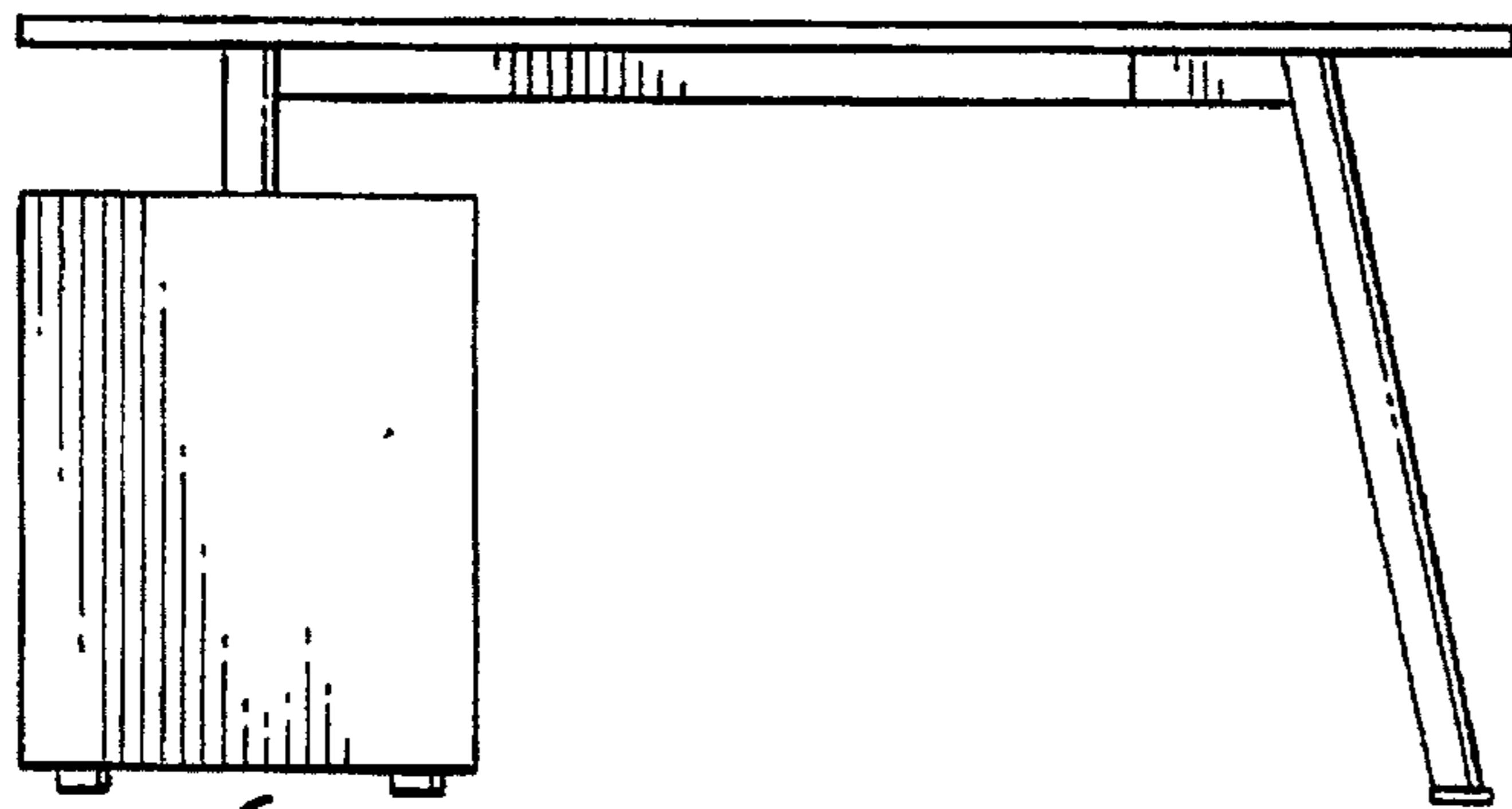
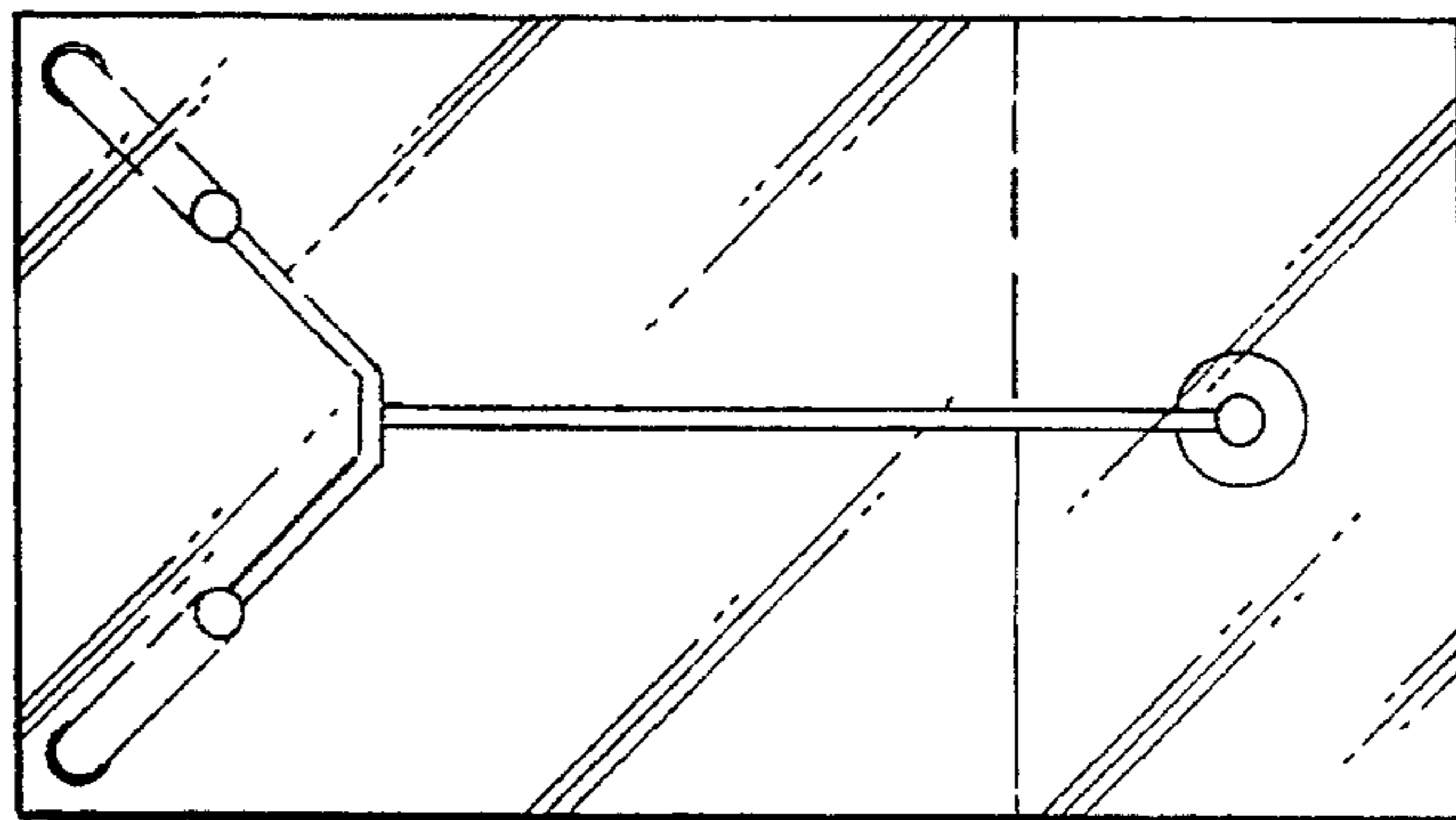


FIG. 3.

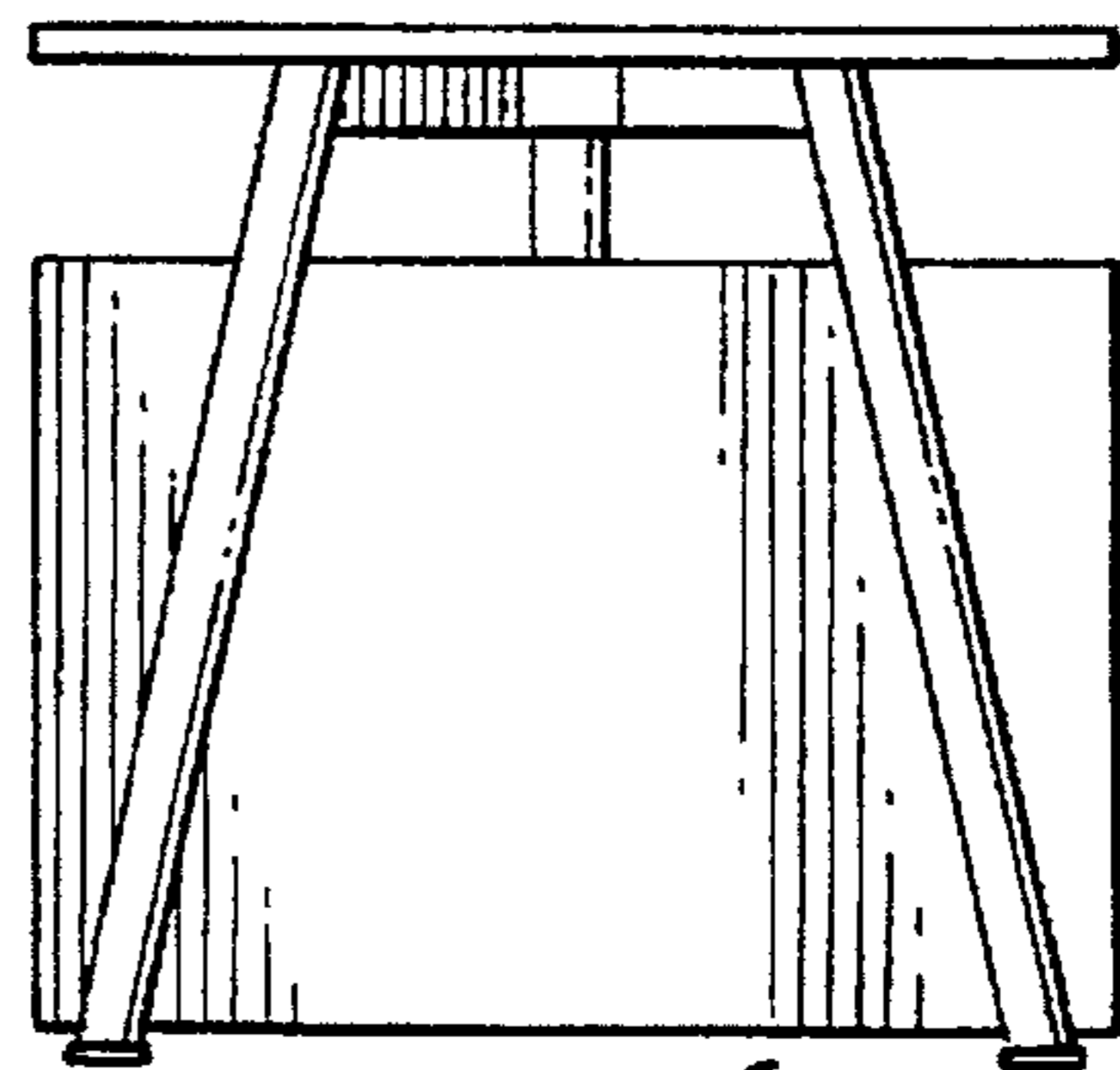


FIG. 4.

FIG. 5.

