



US00D380613S

United States Patent [19]

[11] Patent Number: **Des. 380,613**

Apps et al.

[45] Date of Patent: ****Jul. 8, 1997**

[54] **WALL STRUCTURE FOR A NESTABLE CRATE**

[75] Inventors: **William P. Apps, Anaheim, Calif.;**
Gerald R. Koefeld, Atlanta, Ga.

[73] Assignee: **Rehrig Pacific Company, Inc., Los Angeles, Calif.**

[**] Term: **14 Years**

[21] Appl. No.: **37,635**

[22] Filed: **Apr. 18, 1995**

Related U.S. Application Data

[63] Continuation-in-part of Ser. No. 18,317, Feb. 3, 1994, Pat. No. Des. 361,431.

[51] **LOC (6) Cl. 03-01**

[52] **U.S. Cl. D3/307**

[58] **Field of Search D3/304, 307-314;**
206/429, 509

References Cited

U.S. PATENT DOCUMENTS

- D. 224,366 7/1972 Rehrig .
- D. 244,486 5/1977 Johnson et al. .
- D. 247,648 3/1978 Carroll et al. .
- D. 318,552 7/1991 Apps D3/313
- D. 329,931 9/1992 Apps .
- 3,009,579 11/1961 Ettlenger, Jr. .
- 3,052,373 9/1962 Frater .
- 3,265,237 8/1966 Pache et al. .
- 3,270,913 9/1966 Bridenstine et al. .
- 3,332,574 7/1967 Earp .
- 3,349,943 10/1967 Box .
- 3,392,869 7/1968 Needt .
- 3,744,707 7/1973 Ross .
- 3,794,208 2/1974 Roush et al. .
- 3,997,057 12/1976 Craig .
- 4,095,720 6/1978 Delbrouck et al. .
- 4,101,049 7/1978 Wallace et al. .
- 4,105,117 8/1978 Atkin et al. .
- 4,143,764 3/1979 Moss, III .
- 4,256,224 3/1981 Hirota .

- 4,319,685 3/1982 David .
- 4,344,530 8/1982 deLarosiere 206/509 X
- 4,410,099 10/1983 deLarosiere .
- 4,759,451 7/1988 Apps .
- 4,773,554 9/1988 Warwick .
- 4,899,874 2/1990 Apps et al. .
- 4,928,841 5/1990 Arthurs .

(List continued on next page.)

FOREIGN PATENT DOCUMENTS

- 1 351 218 3/1963 France .
- 28 01 077 7/1978 Germany .
- 27 12 748 9/1978 Germany .
- 725683 11/1966 Italy .

Primary Examiner—B. J. Bullock
Assistant Examiner—Richelle Shelton
Attorney, Agent, or Firm—Banner & Witcoff, Ltd.

[57] CLAIM

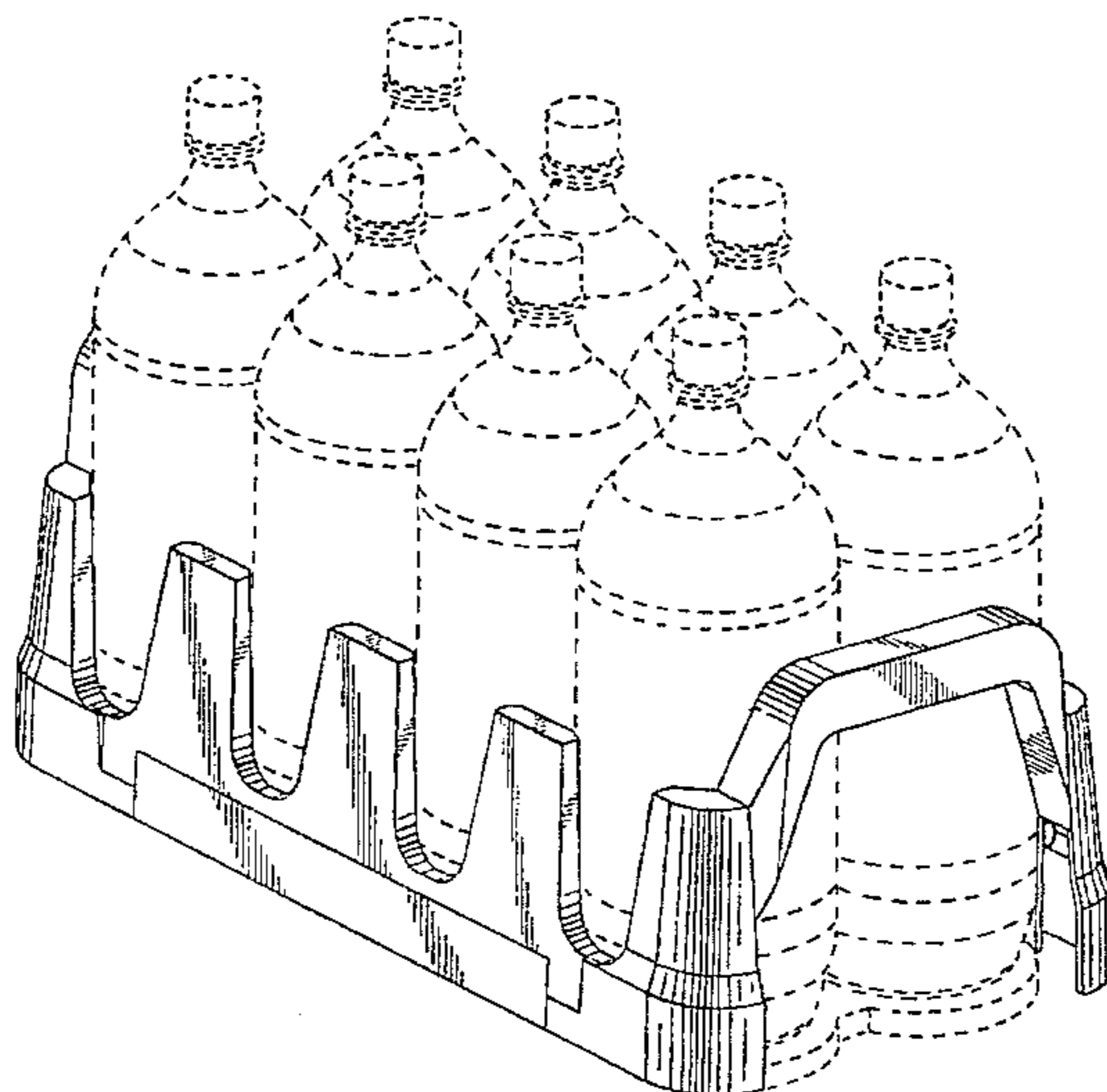
The ornamental design for a wall structure for a nestable crate, as shown and described.

DESCRIPTION

FIG. 1 is a perspective view of a wall structure for a nestable crate in accordance with my new design, the perspective view from the opposite end being a mirror image thereof; FIG. 2 is a side elevational view thereof, the opposite side elevational view being identical; FIG. 3 is an end elevational view thereof, the opposite end elevational view being identical; FIG. 4 is a cross sectional view thereof taken along lines 4—4 of FIG. 2; FIG. 5 is a cross section thereof taken along line 5—5 of FIG. 3; FIG. 6 is a perspective view thereof, shown nested with an identical wall structure and crate floors in broken lines; and, FIG. 7 is a perspective view thereof, shown with bottles and crate floor in broken lines.

The broken line showing of a crate floor, an identical wall structure nested with the claimed wall structure, and the bottles are for illustrative purposes and form no part of the claimed design.

1 Claim, 4 Drawing Sheets



Des. 380,613

Page 2

U.S. PATENT DOCUMENTS

4,932,532	6/1990	Apps et al. .	5,096,085	3/1992	Eek et al. .	
4,944,400	7/1990	Van Onstein et al. .	5,105,948	4/1992	Morris et al. .	
4,978,002	12/1990	Apps et al. .	5,335,814	8/1994	Hepp .	
5,060,819	10/1991	Apps .	5,426,890	6/1995	Dümmen .	
			5,487,487	1/1996	Hammett	206/509 X

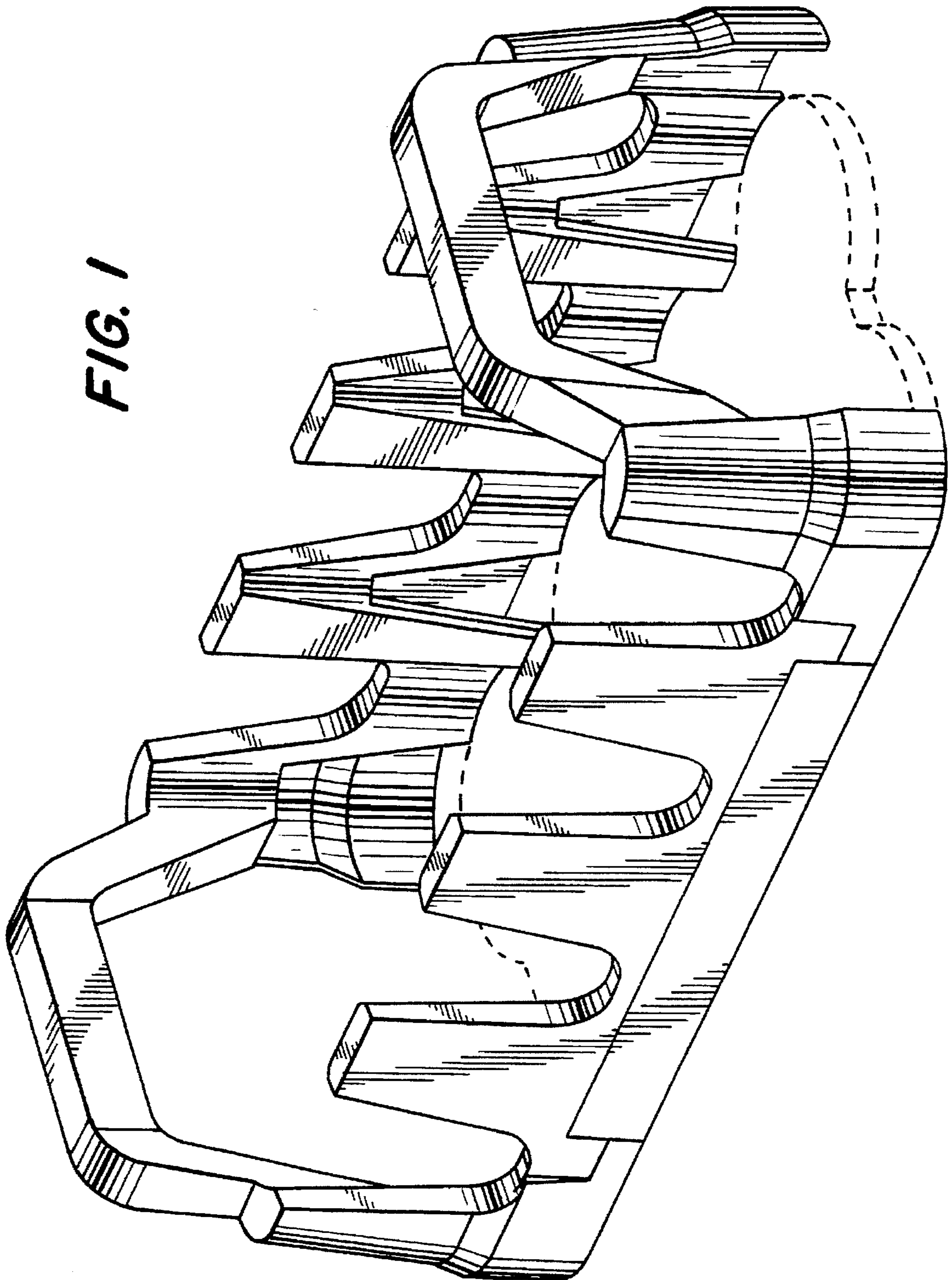


FIG. 1

FIG. 2

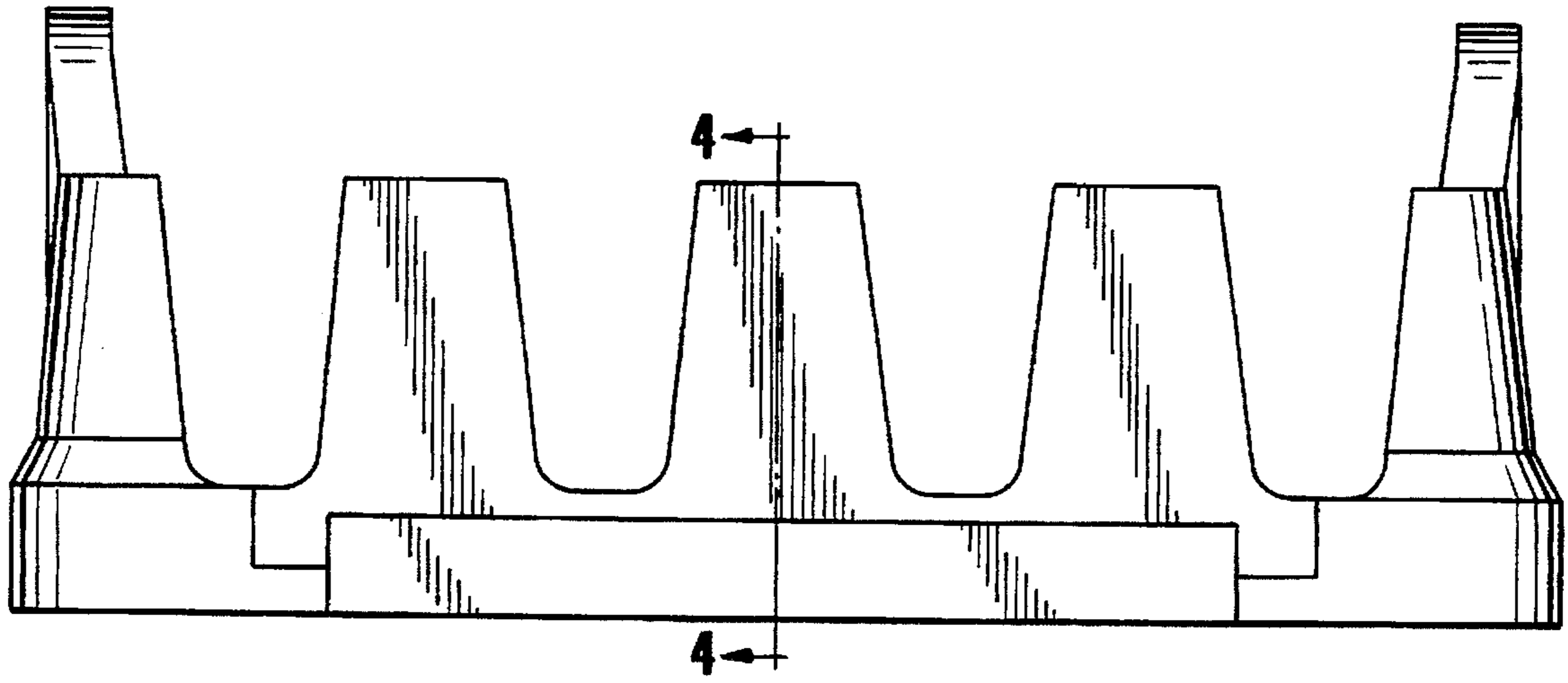


FIG. 3

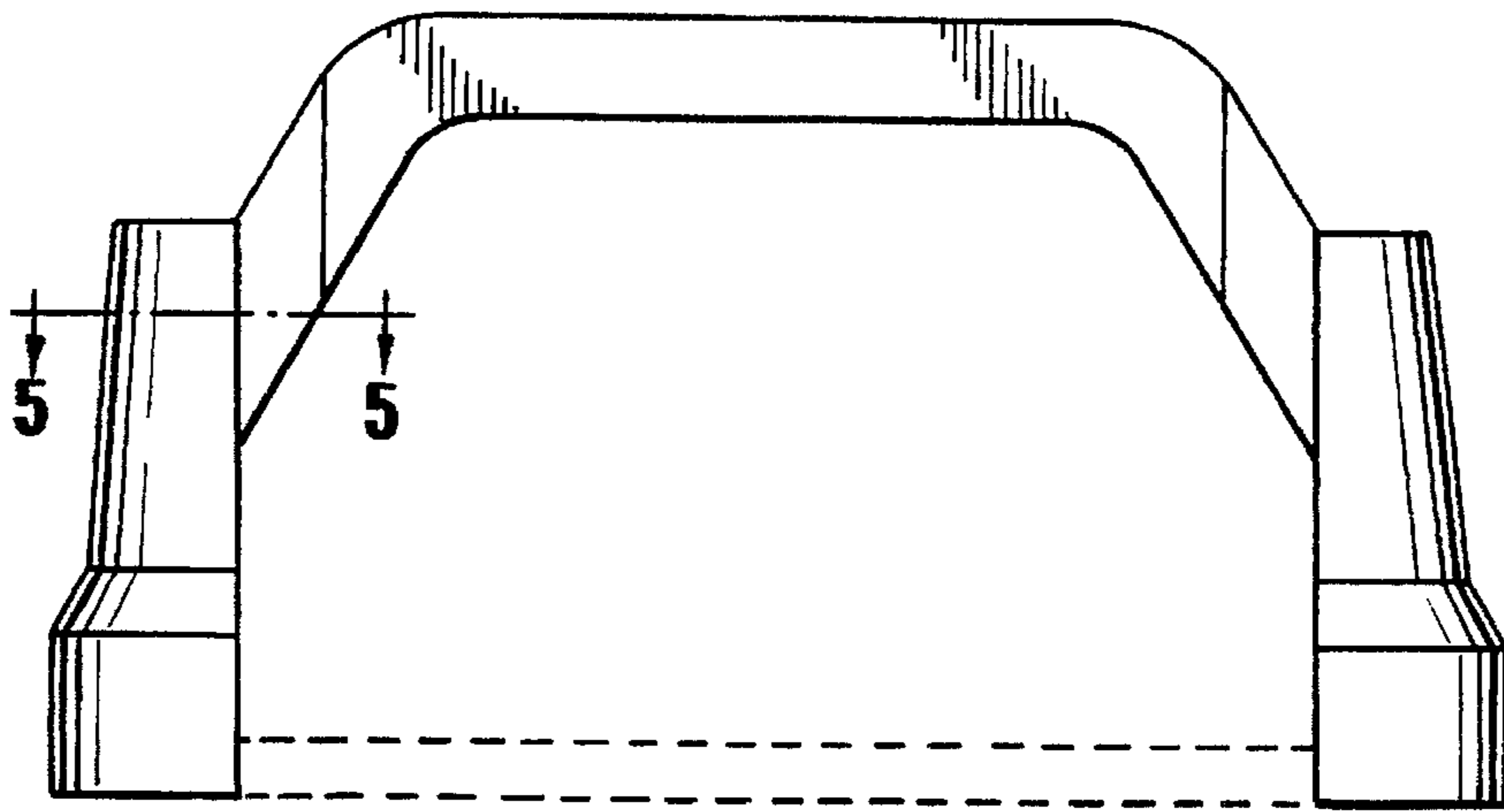


FIG. 4

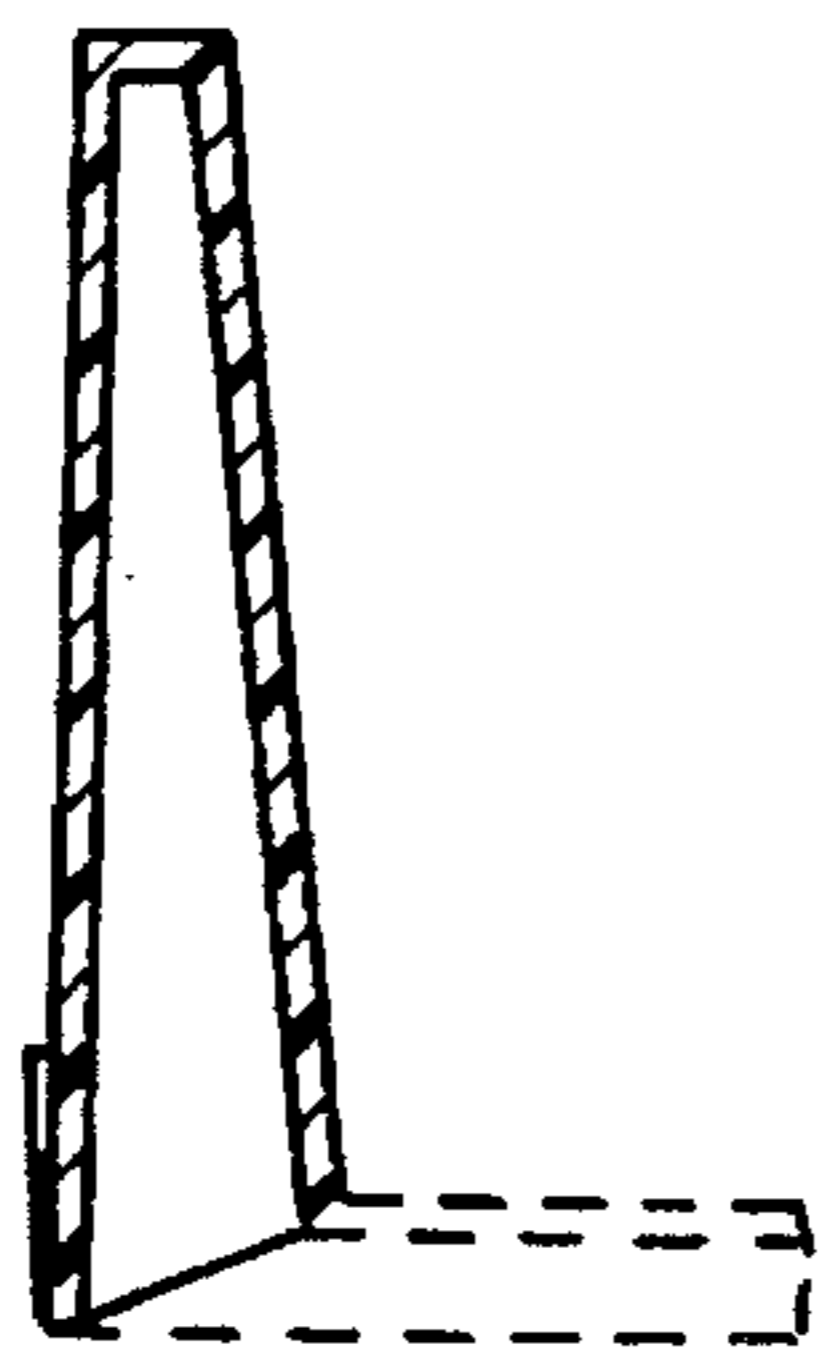
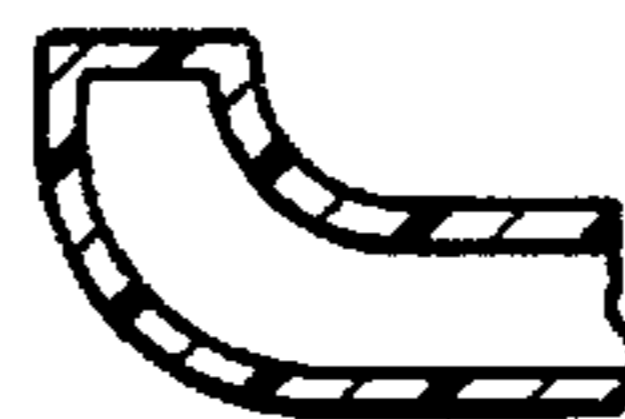


FIG. 5



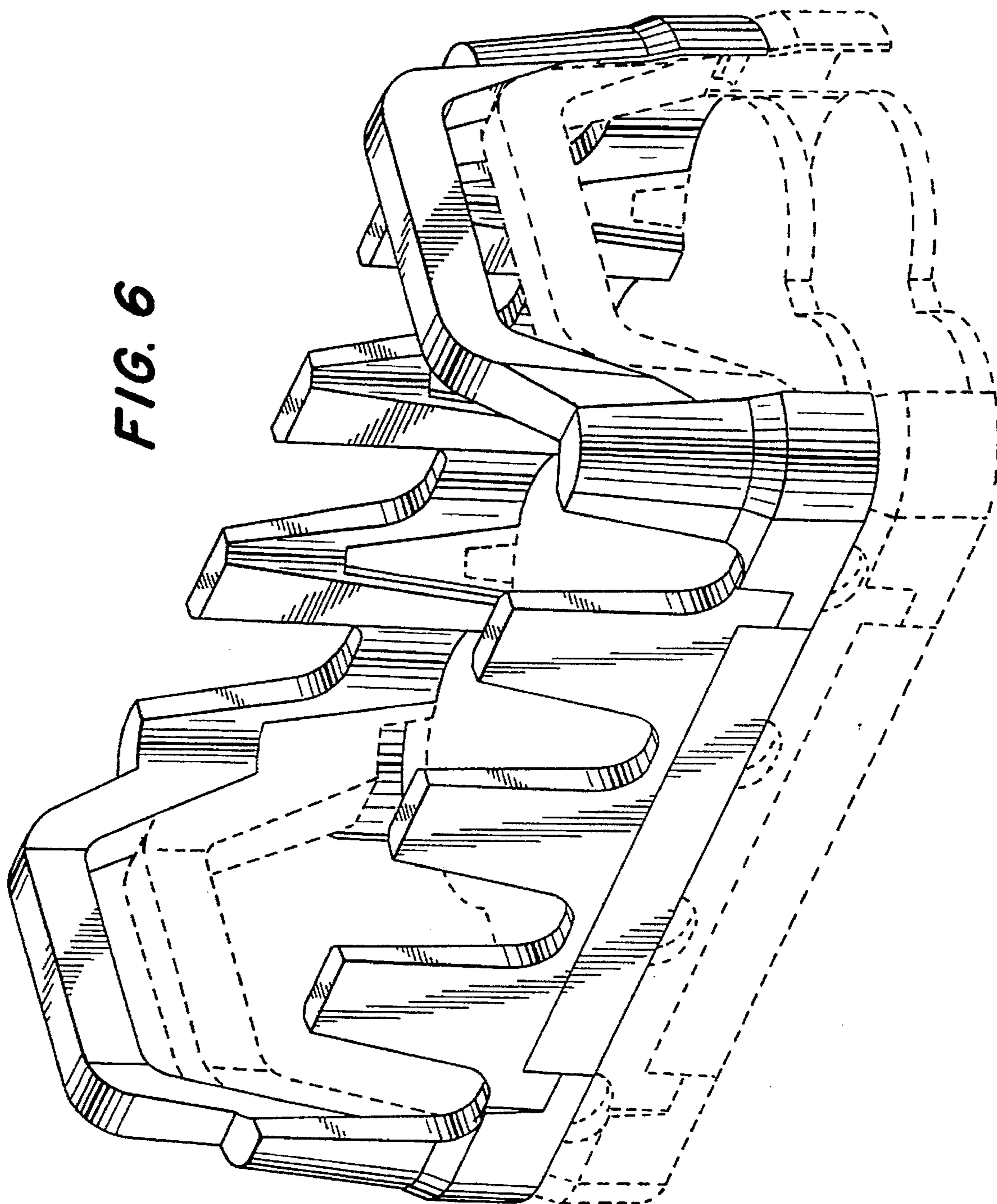


FIG. 6

