



US00D380611S

United States Patent [19] Mancusi

[11] Patent Number: **Des. 380,611**

[45] Date of Patent: ****Jul. 8, 1997**

[54] **BATTERY HOLDER**

[76] Inventor: **Diane S. Mancusi**, 226 Corona Ave.,
Staten Island, N.Y. 10306

[**] Term: **14 Years**

[21] Appl. No.: **51,120**

[22] Filed: **Mar. 4, 1996**

[51] LOC (6) Cl. **03-01**

[52] U.S. Cl. **D3/284; D3/295**

[58] Field of Search D3/273, 274, 276,
D3/284, 294, 295; 190/110, 111, 112, 113,
114, 115, 119, 121, 120; 206/703, 704,
705

[56] **References Cited**

U.S. PATENT DOCUMENTS

D. 230,530	2/1974	Shinn	D3/274
D. 250,973	1/1979	Ramsey	D3/274
D. 256,522	8/1980	Peterson	D3/284
D. 265,346	7/1982	Maier	D3/274
D. 267,834	2/1983	Yew	D3/284
D. 275,833	10/1984	Malpass	D3/284
D. 343,289	1/1994	Duley	D3/284
D. 347,729	6/1994	Bible, Jr.	D3/274

D. 359,619	6/1995	Magnussen	D3/273
3,494,798	2/1970	Teeter et al.	136/134
5,308,717	5/1994	Gordin	429/99
5,311,989	5/1994	Ward et al.	206/333
5,324,598	6/1994	White et al.	429/99

Primary Examiner—Philip S. Hyder
Attorney, Agent, or Firm—Richard L. Miller

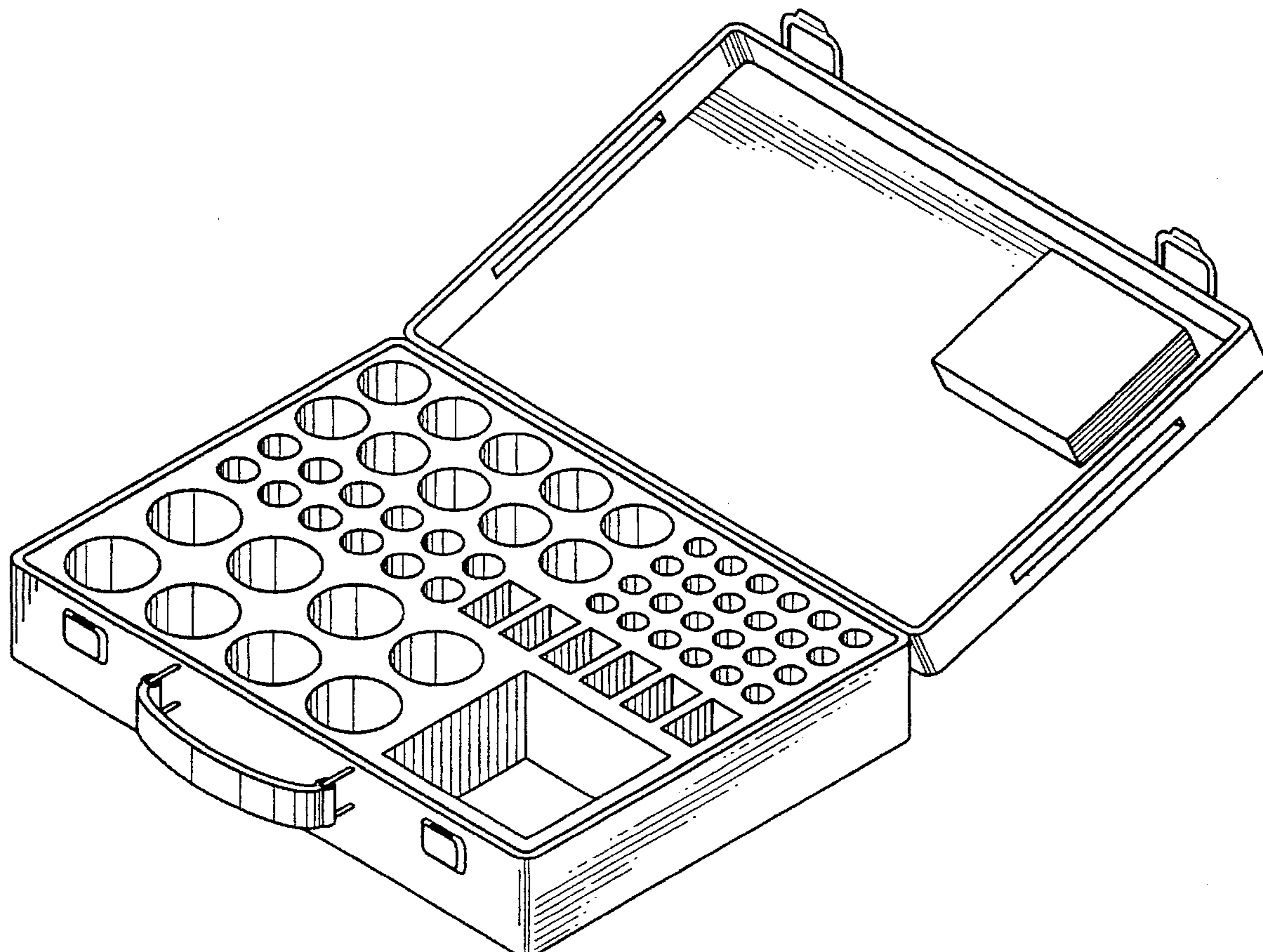
[57] **CLAIM**

The ornamental design for a battery holder, as shown and described.

DESCRIPTION

FIG. 1 is a top and perspective view of a battery holder showing my new design;
FIG. 2 is a top plan view thereof;
FIG. 3 is a front elevational view thereof;
FIG. 4 is a left side elevational view thereof the right side elevational view being a mirror image of the view shown;
FIG. 5 is a rear elevational view thereof; and,
FIG. 6 is a bottom plan view thereof.
The broken line showing of the batteries in FIG. 4 is for illustrative purposes only and forms no part of the claimed design.

1 Claim, 3 Drawing Sheets



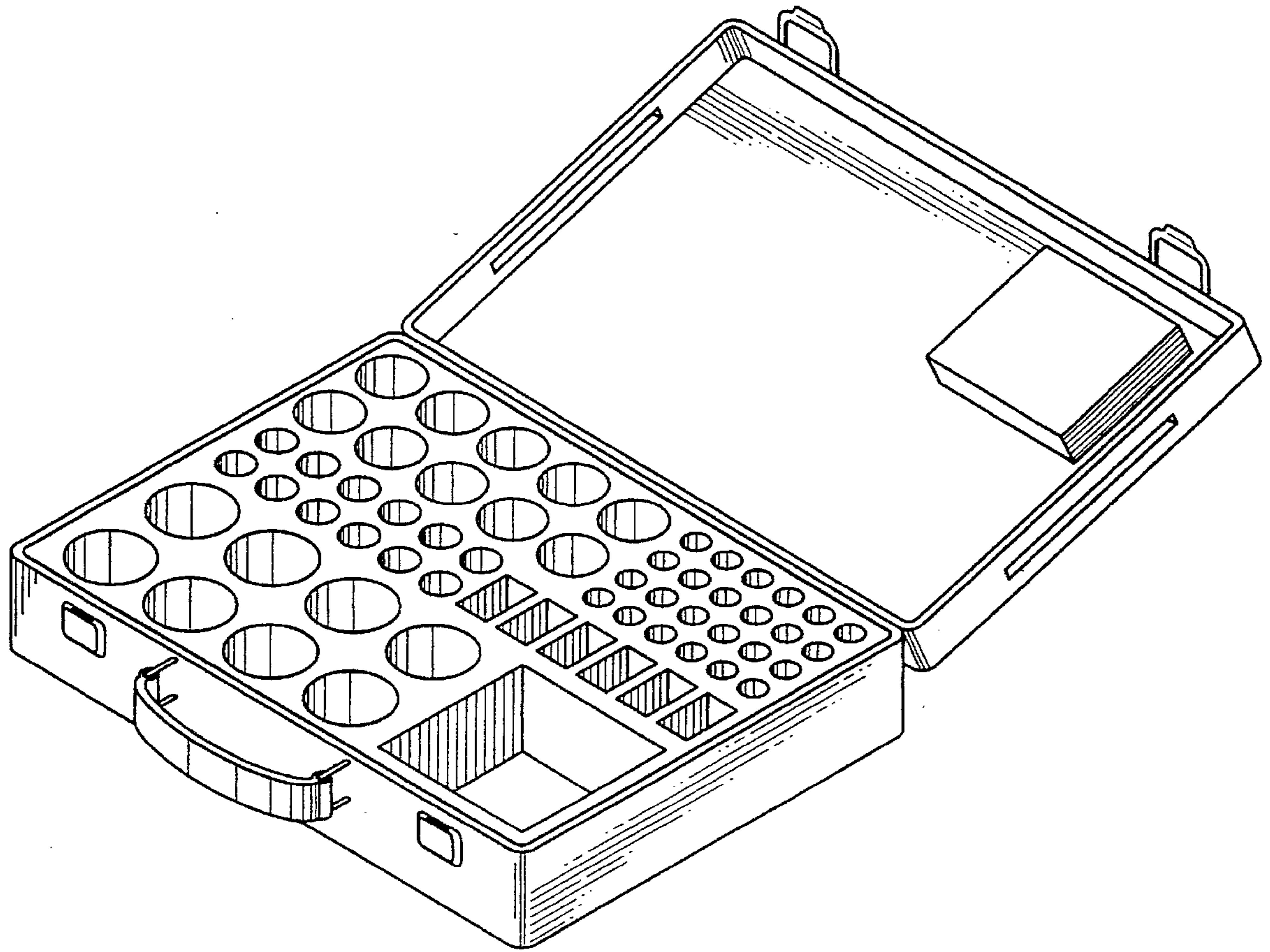


Fig. 1

Fig. 2

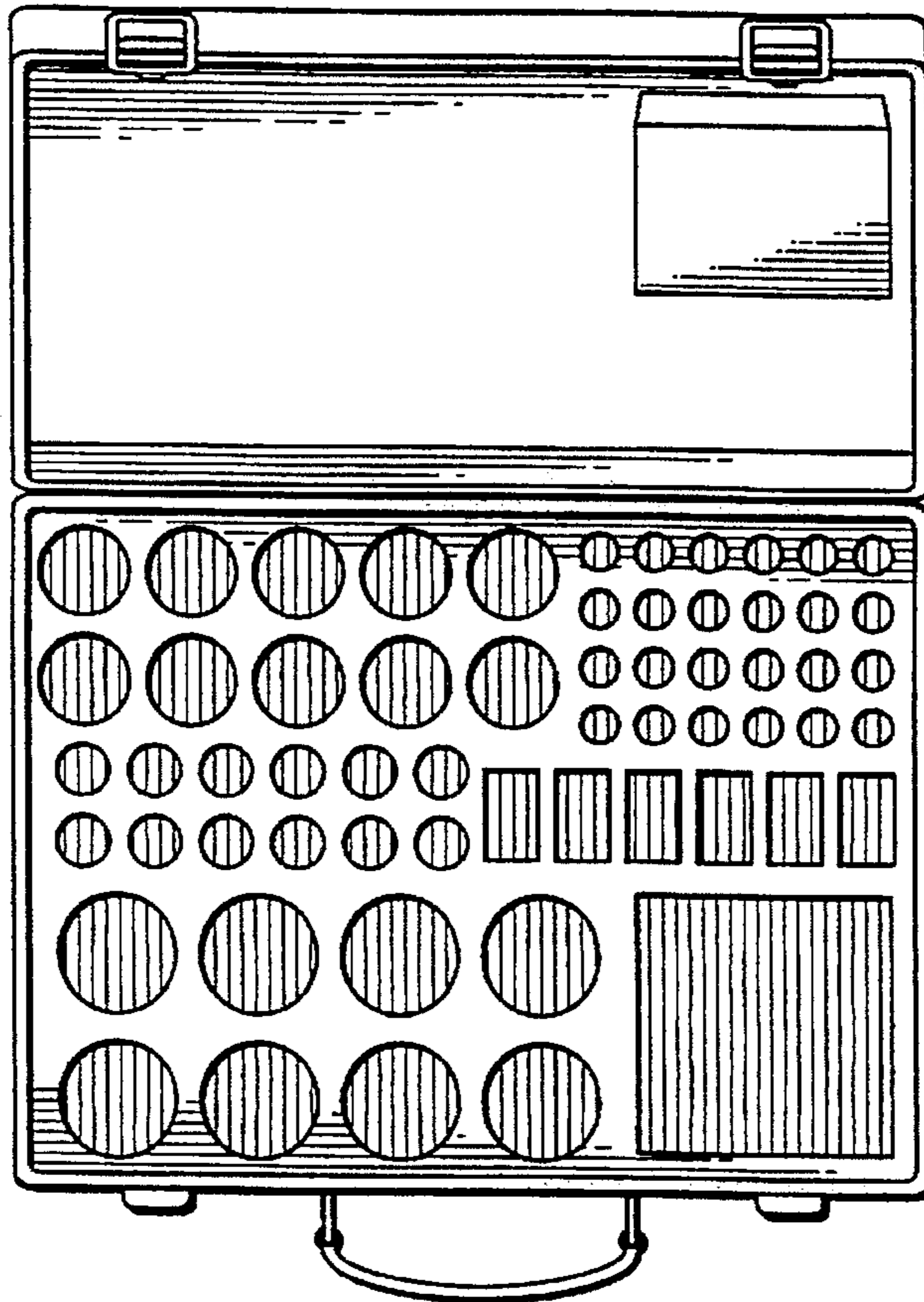


Fig. 3

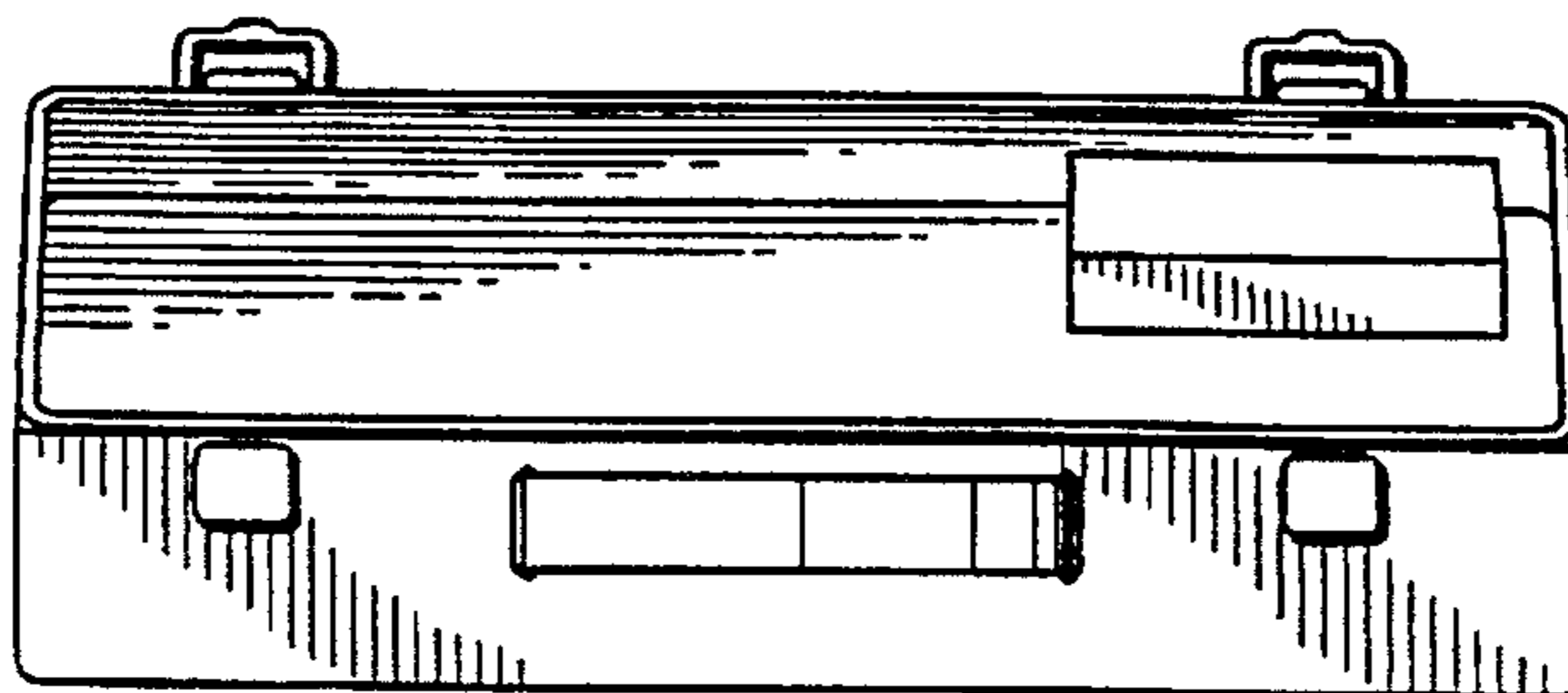
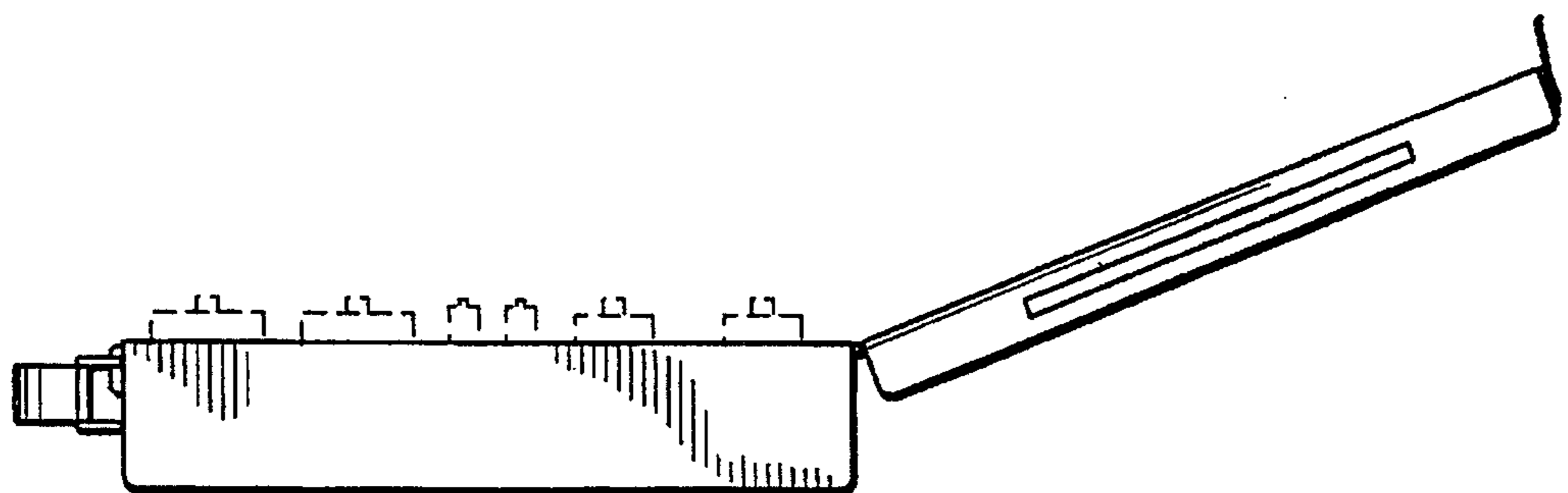


Fig. 4



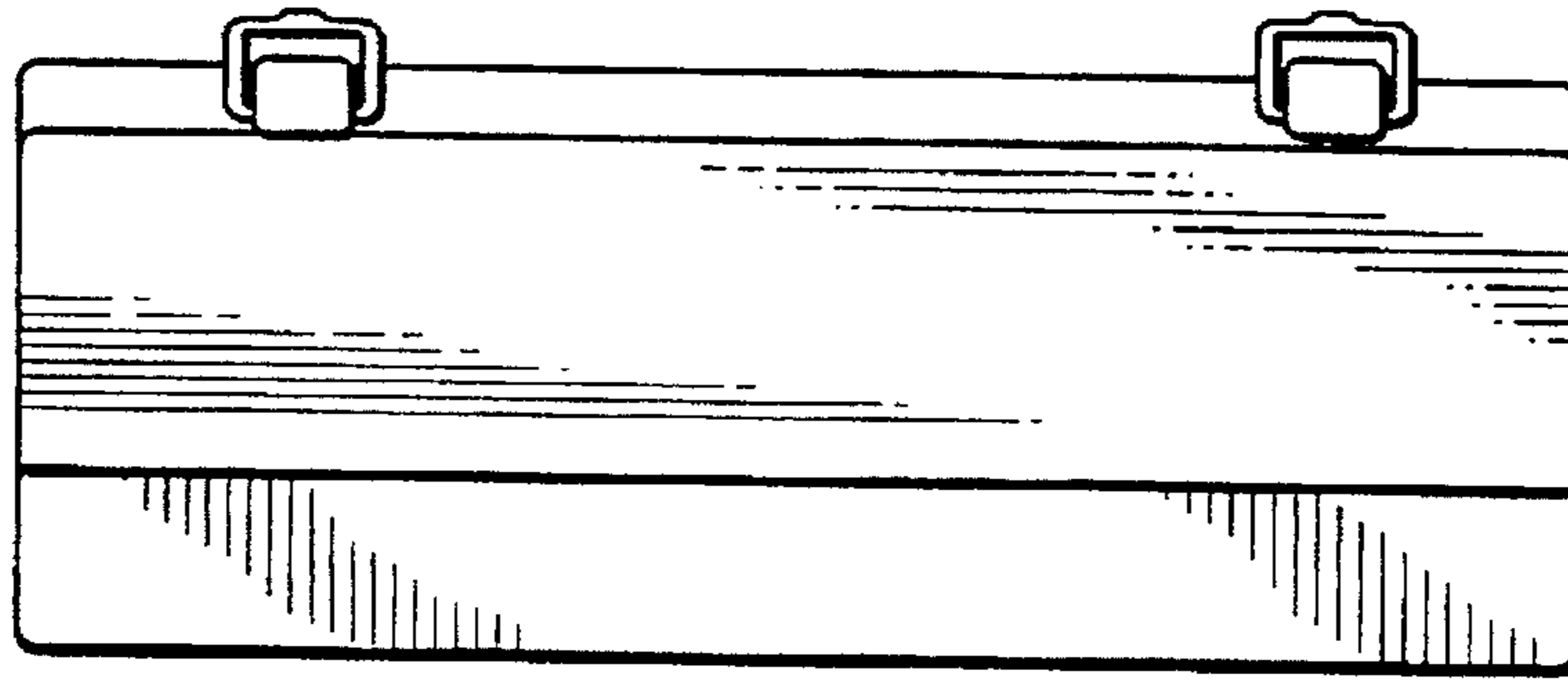


Fig. 5

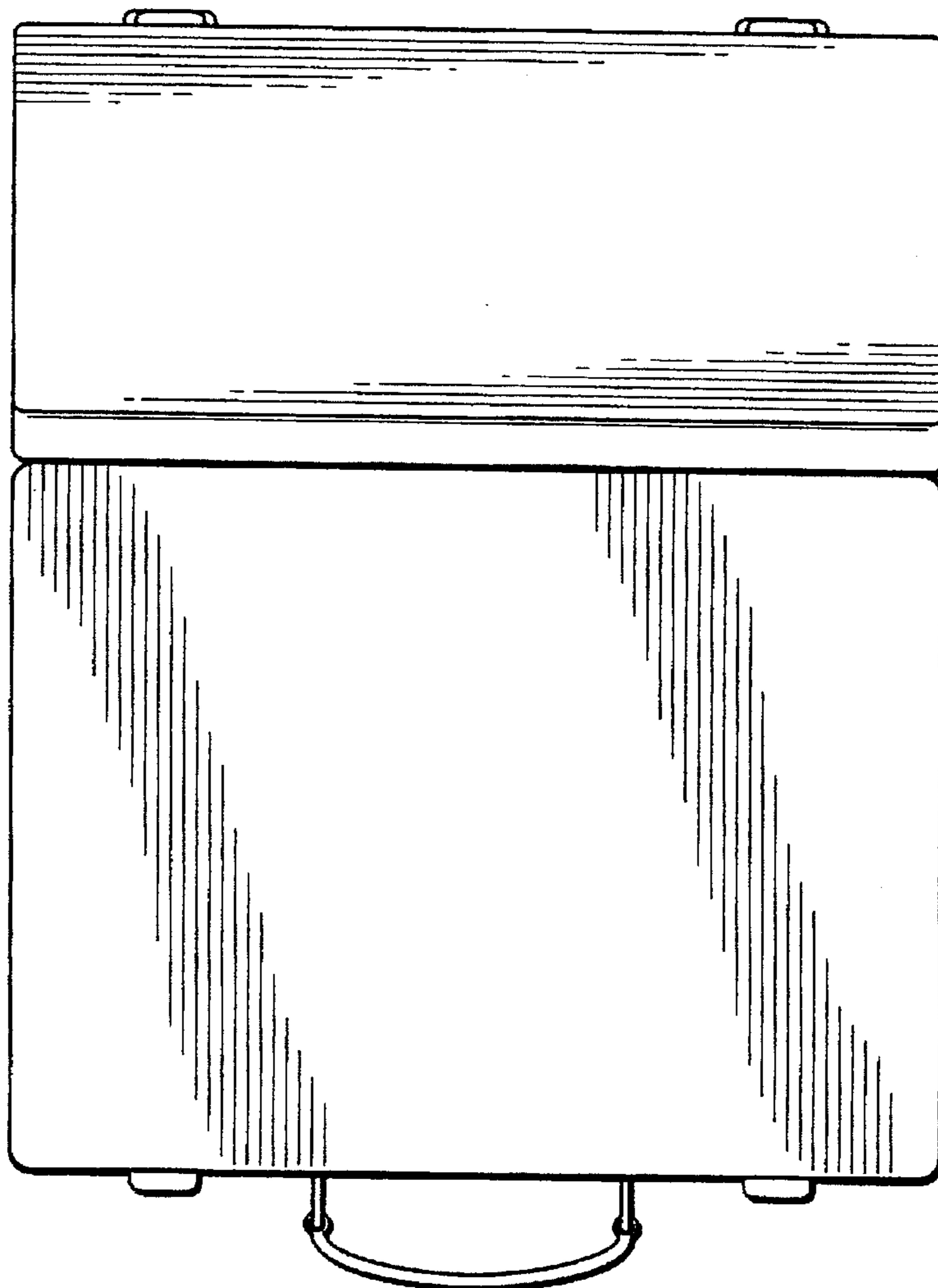


Fig. 6