



US00D380610S

United States Patent [19]

[11] Patent Number: **Des. 380,610**

Corrales

[45] Date of Patent: ****Jul. 8, 1997**

[54] SECURITY CASE FOR PORTABLE COMPUTER

D. 358,453	5/1995	Cross et al.	D3/276
D. 360,075	7/1995	Cross et al.	D3/276
4,837,590	6/1989	Sprague	190/900
5,105,338	4/1992	Held	206/305
5,325,970	7/1994	Dillion et al.	206/576

[76] Inventor: **Daniel W. Corrales**, P.O. Box 3765, Torrance, Calif. 90510

[**] Term: **14 Years**

Primary Examiner—Philip S. Hyder
Attorney, Agent, or Firm—Stetina Brunda & Buyan

[21] Appl. No.: **44,949**

[57] CLAIM

[22] Filed: **Oct. 4, 1995**

The ornamental design for a security case for portable computer, as shown and described.

[51] LOC (6) Cl. **03-01**

[52] U.S. Cl. **D3/276; D3/269; D3/274**

[58] Field of Search D3/274, 276, 281, D3/282, 287, 292, 294; 190/109, 104, 119, 115, 903; 206/305, 320, 328, 576

DESCRIPTION

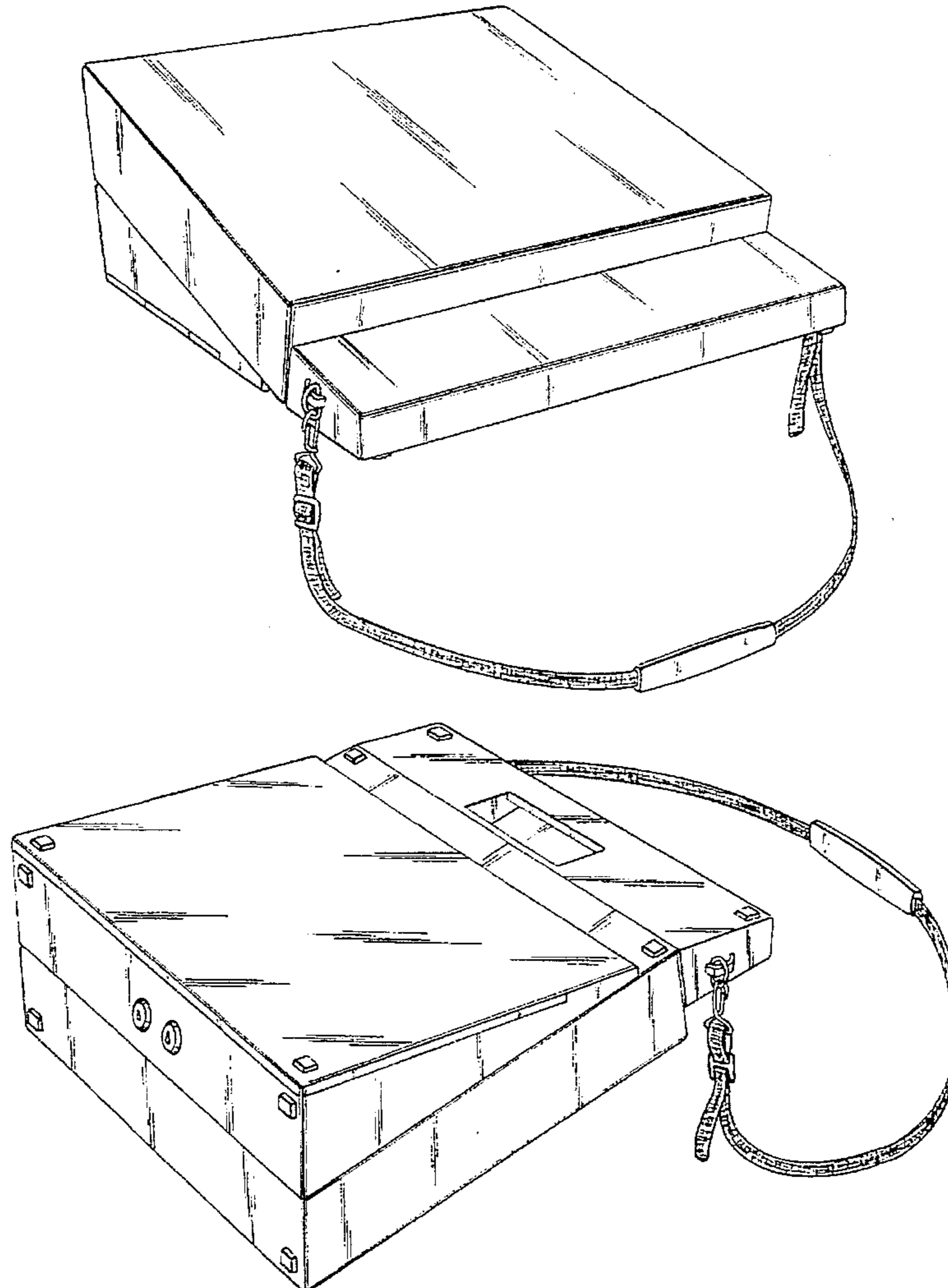
[56] References Cited

U.S. PATENT DOCUMENTS

D. 219,696	1/1971	Cuccio	D3/269
D. 234,545	3/1975	De Tomaso	D3/269
D. 235,036	4/1975	Kuramochi	D3/269
D. 253,978	1/1980	Osit	D3/269
D. 268,457	4/1983	Bellini	D3/281
D. 296,497	7/1988	Kime	D3/282

FIG. 1 is a front perspective view of the invention;
FIG. 2 is a rear perspective view of the invention;
FIG. 3 is a side view of the design shown in FIG. 1, with the fabric straps removed;
FIG. 4 is a top view of the design shown in FIG. 3;
FIG. 5 is a left side view of the design shown in FIG. 3;
FIG. 6 is a right side view of the design shown in FIG. 3;
and,
FIG. 7 is a bottom view of the design shown in FIG. 3.

1 Claim, 2 Drawing Sheets



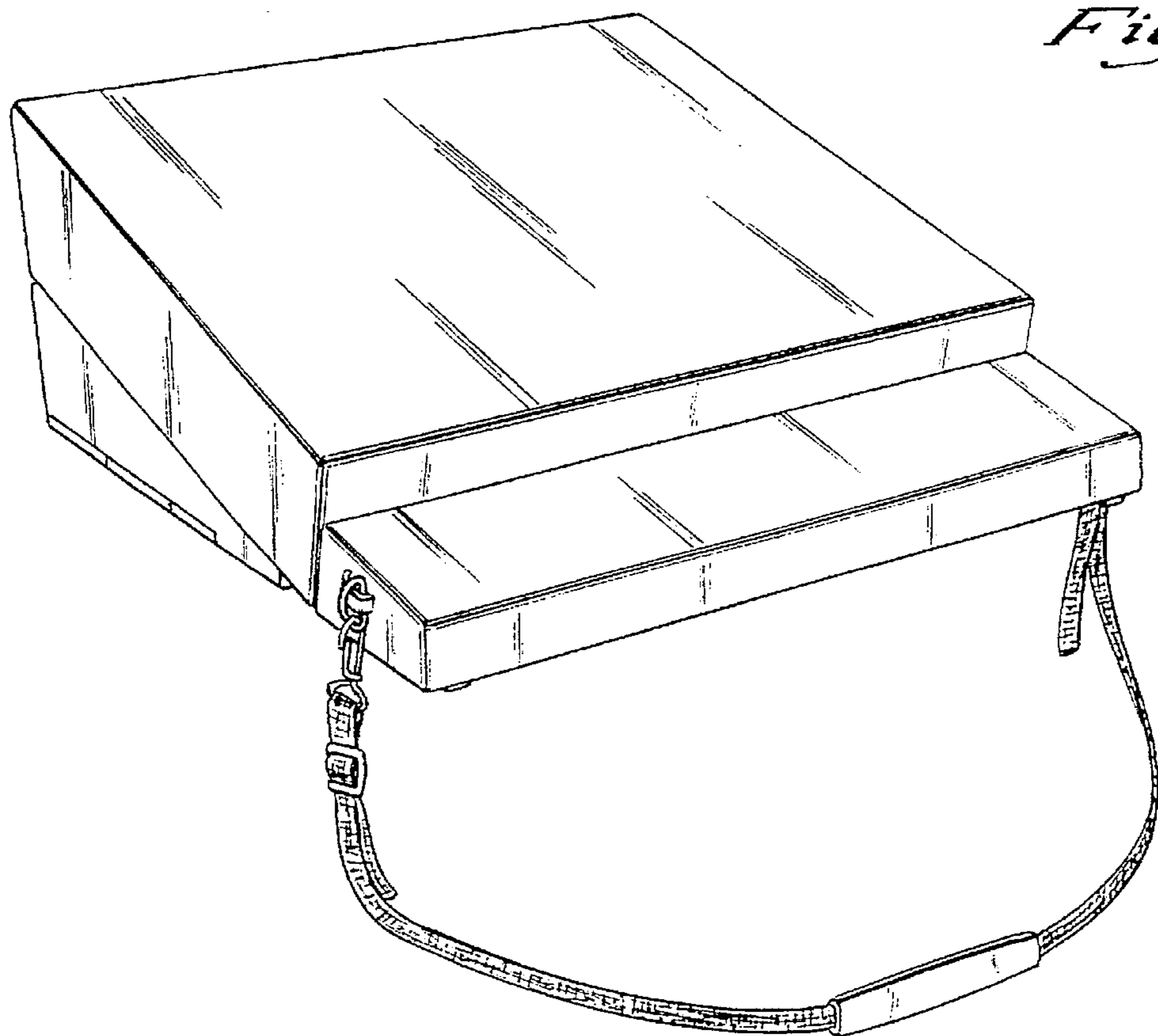


Fig. 1

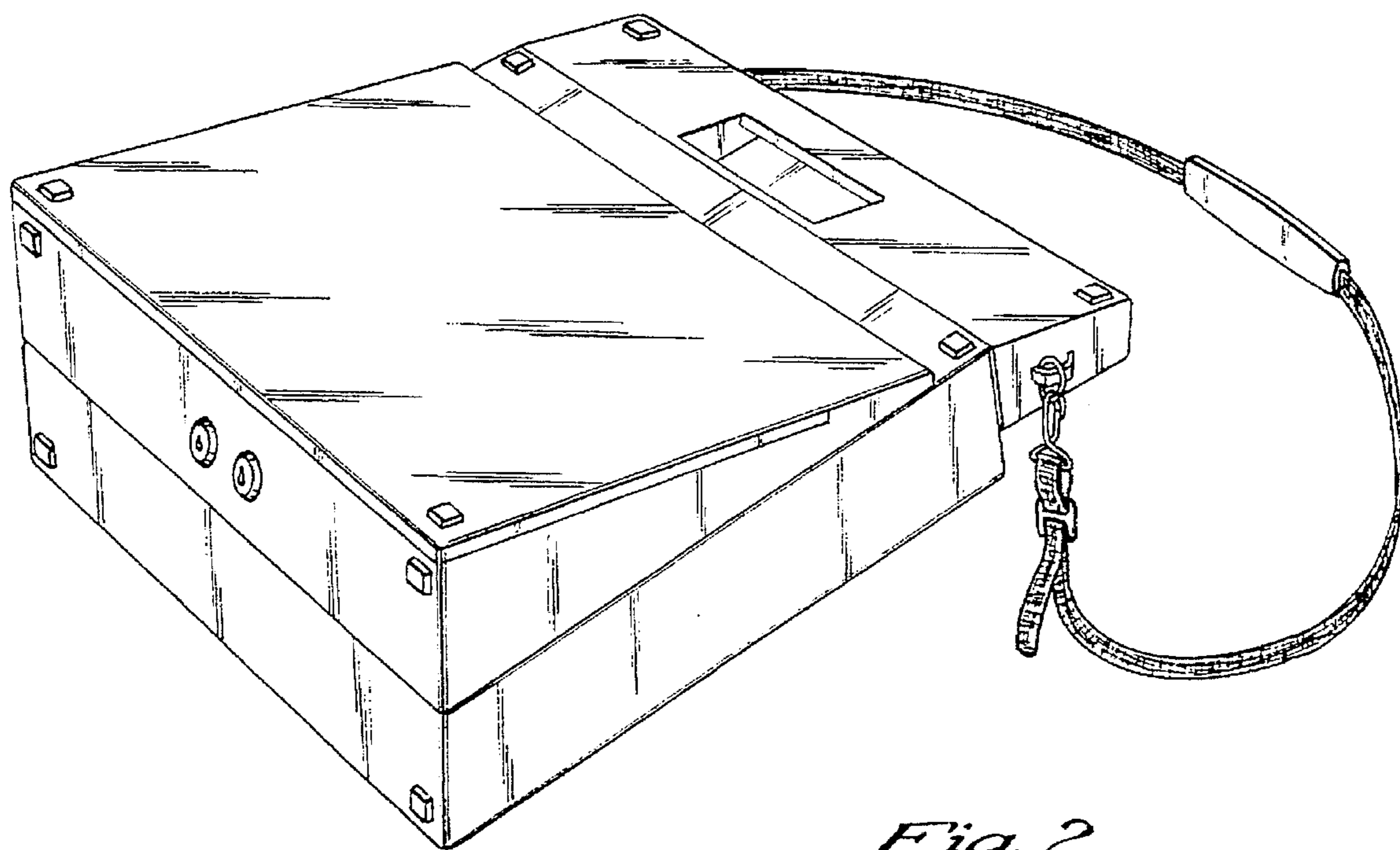


Fig. 2

Fig. 4

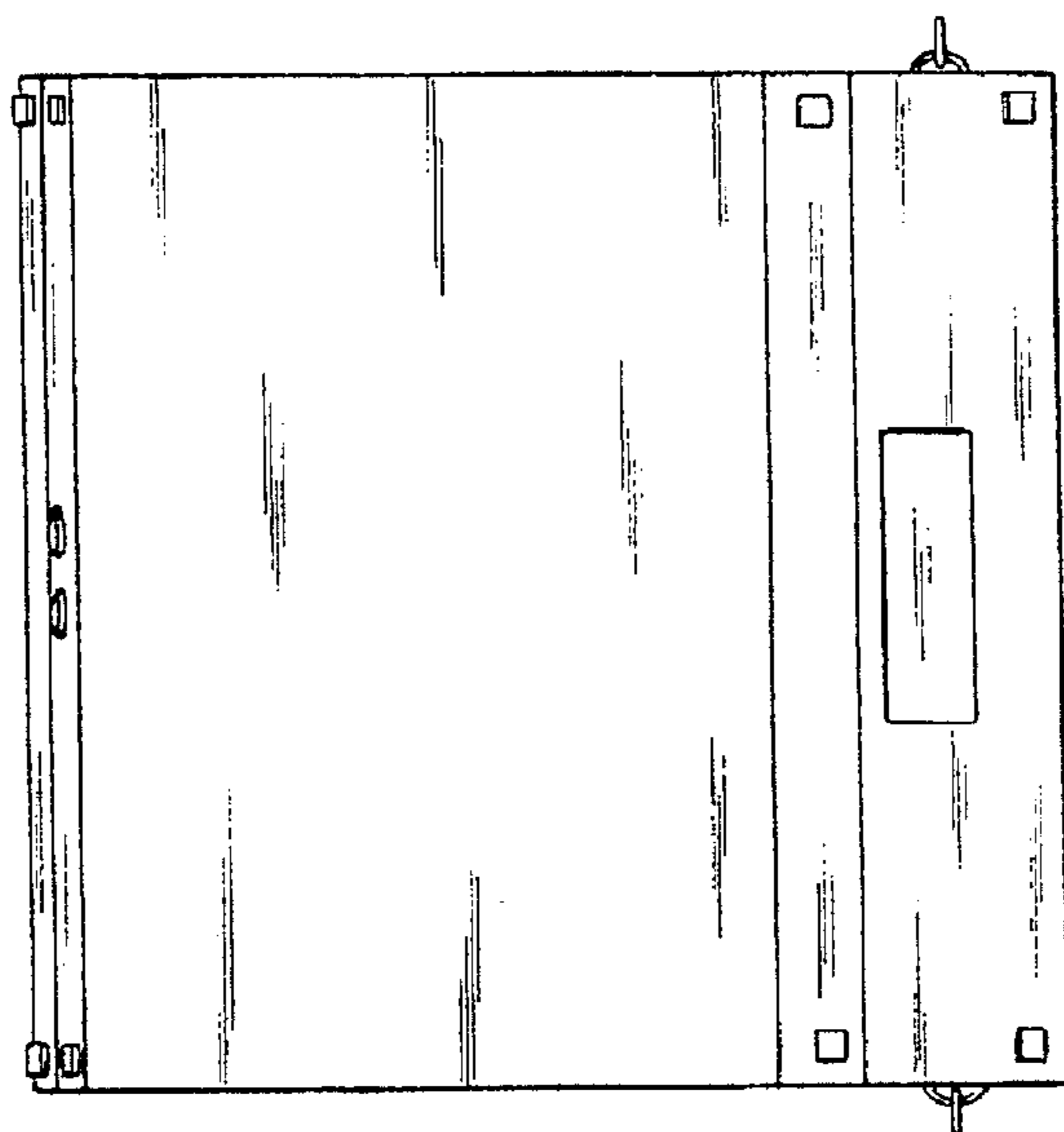


Fig. 3

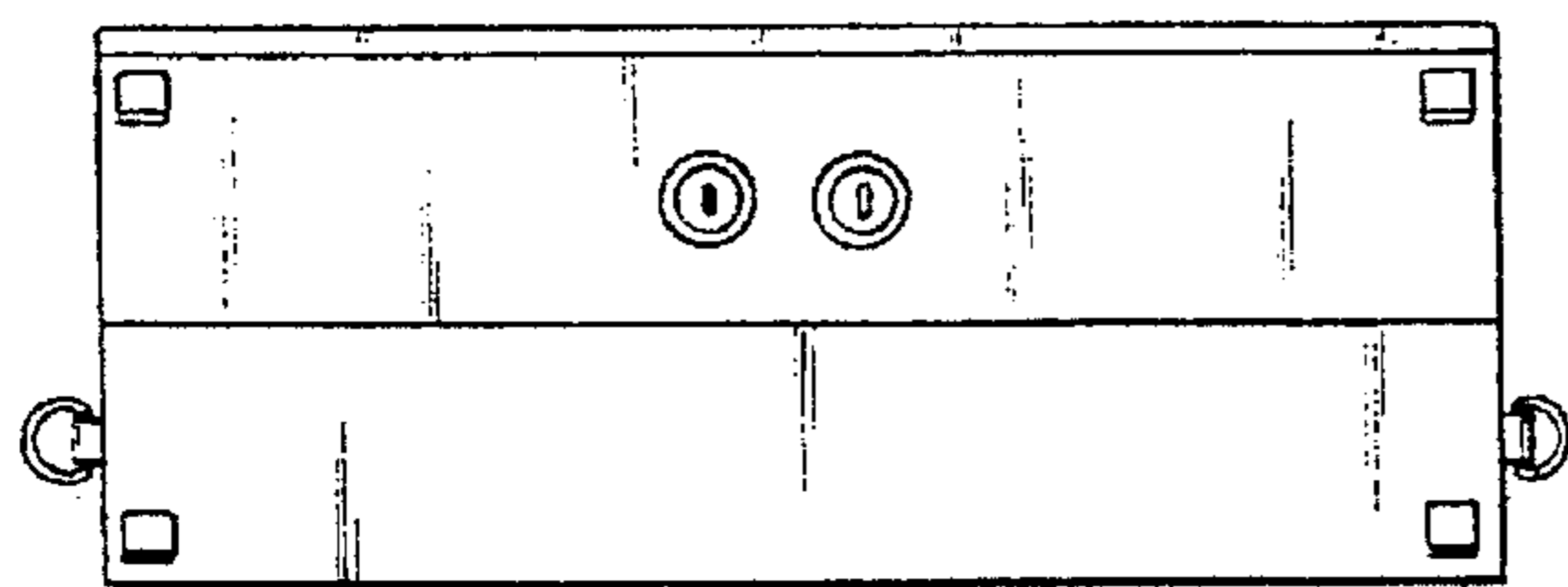
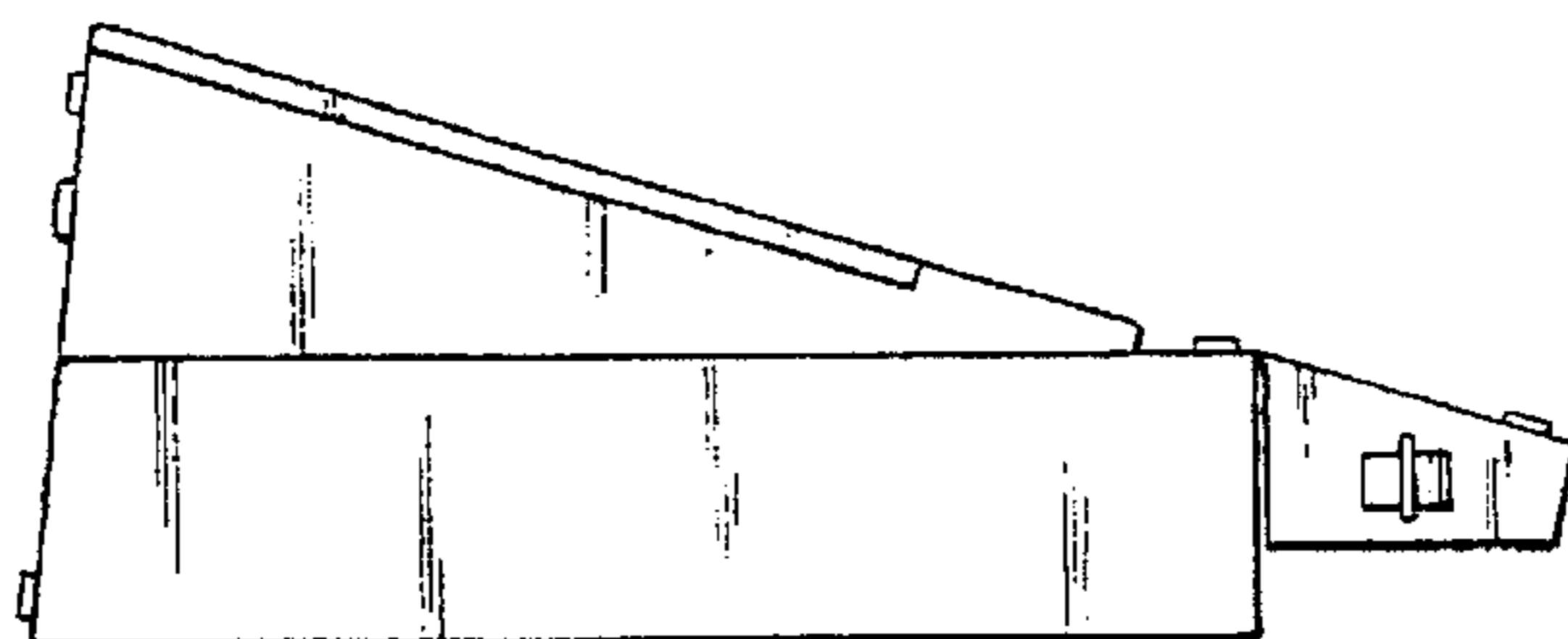


Fig. 5

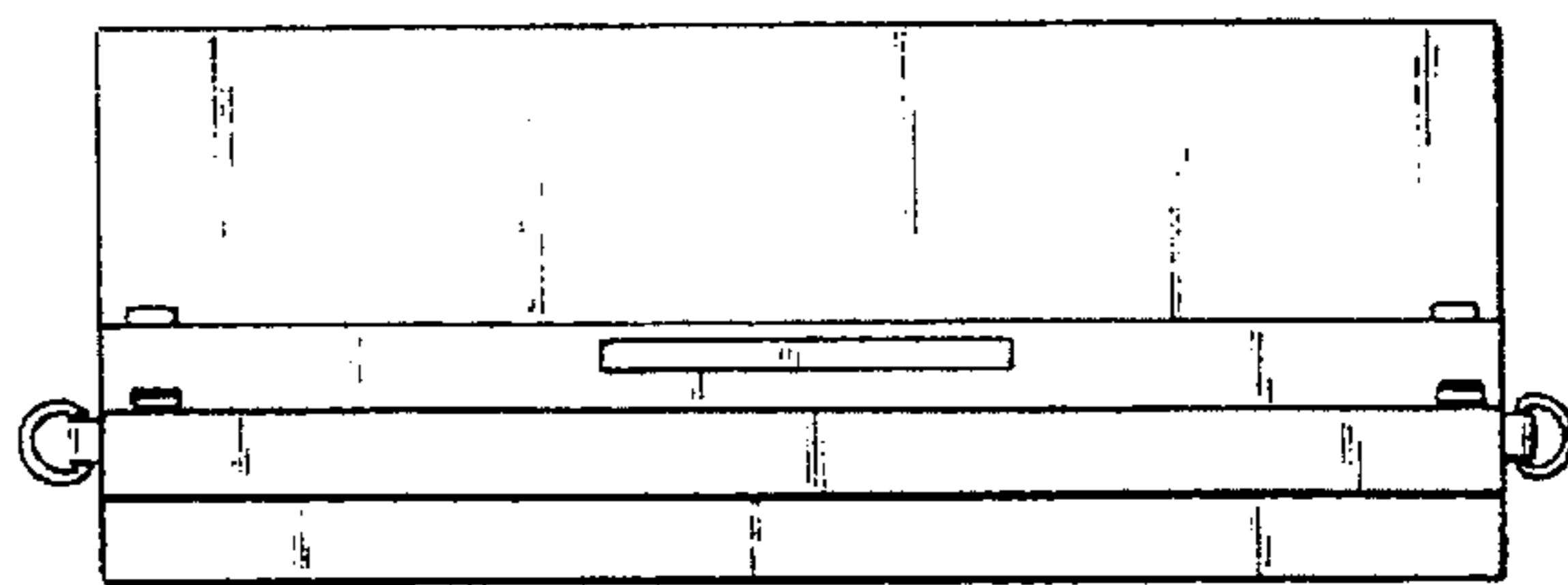


Fig. 6

Fig. 7

